

Pulls for sliding door applications



Table of Contents

CaviLock CL400 magnetic pull for sliding doors	3 - 9
CaviLock CL200 magnetic pull for sliding doors	10 - 11
INOX mortise pull for sliding doors	12 - 15
BD4000 privacy lock for sliding doors	16 - 19
Finishes	20



CaviLock CL400 magnetic pull for sliding doors



CaviLock® High-quality door hardware for most interior-sliding applications.

The magnetic pull is architectural hardware for sliding doors. This wrap-around pull requires no complicated mortise cut-outs. Ideal for interior-sliding applications. Suitable for both residential and commercial use. Available in a range of finishes.



Passage



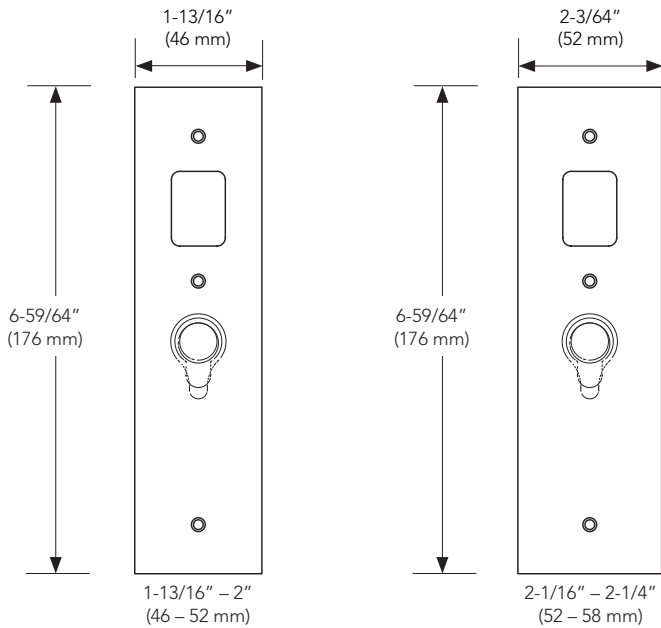
Privacy



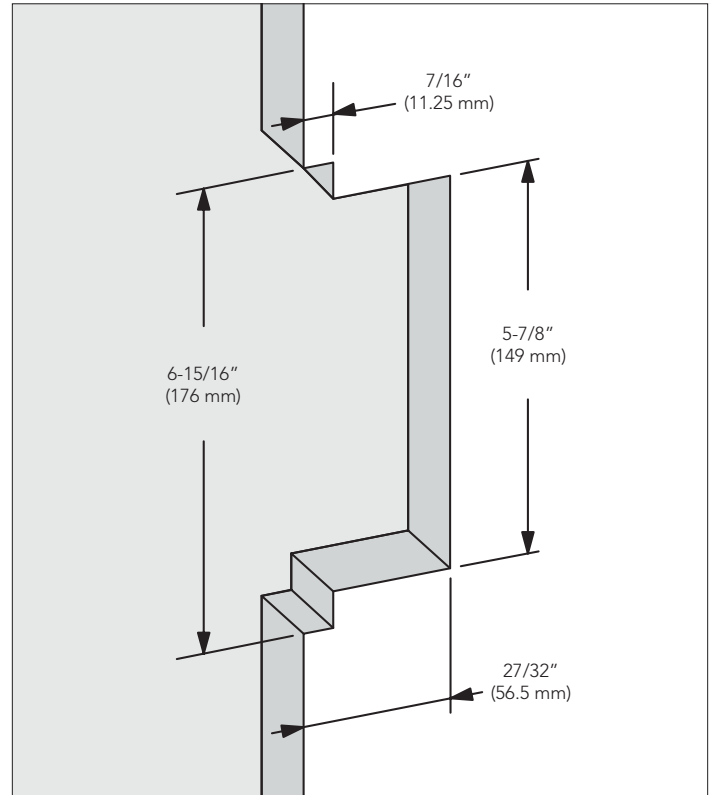
Bi-parting

Face plate

Special order faceplates are available for door thickness greater than 1-3/4" (45 mm).



Door cut-out

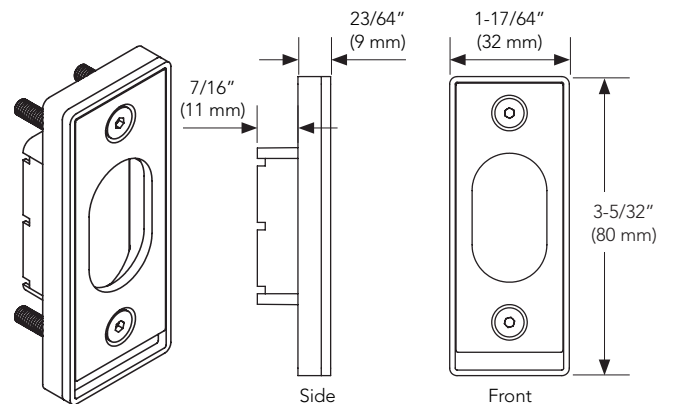
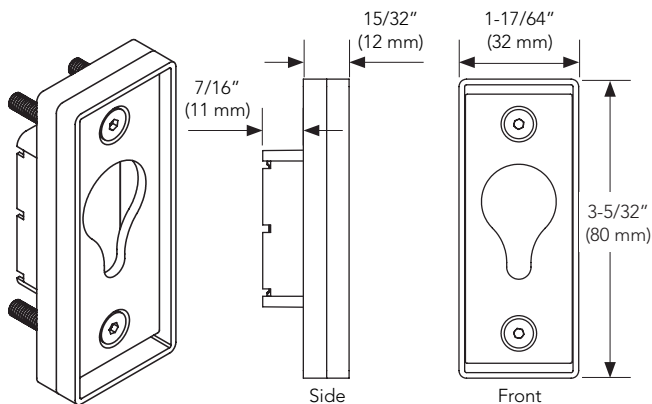


Striker

Depending on the configuration of the pull, the striker supplied is designed to either sit flush with the face of the closing jamb or recessed into the closing jamb. Striker cut-out template and instructions are supplied with your pull and cover installation into a flush or recessed closing jamb.

Recessed striker - privacy/key locking pulls

Flush striker - passage pulls



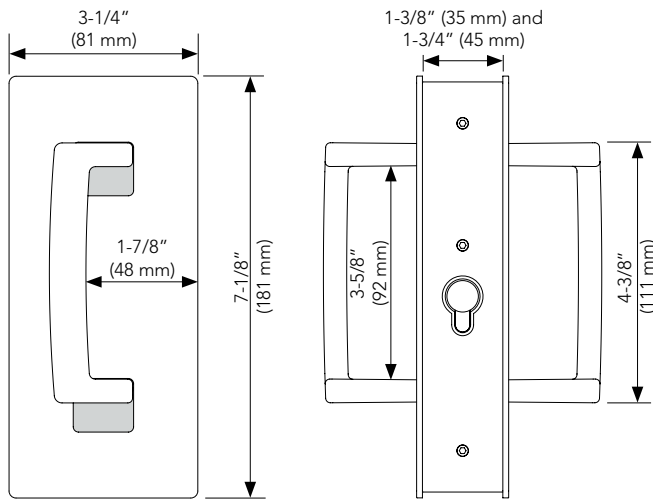
ADA magnetic pull - offset

The ADA pull can be readily retrofitted over existing hardware to suit the needs of tenants requiring ADA-compliant facilities. In line with ADA Standards for Accessible Design, this magnetic pull has a handle that is easy to grasp with one hand and does not require tight grasping/pinching or twisting of the wrist. The opening force required to operate the unit is 2.5 lbf (11.1N), which is under the 5 lbf threshold for ADA compliance.

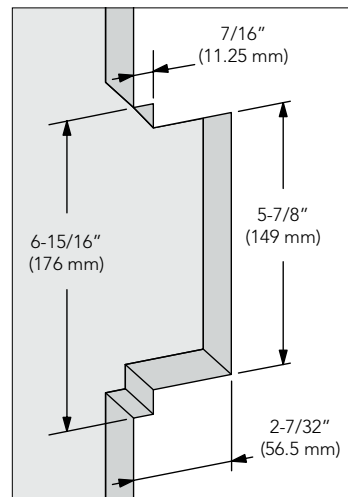


- No tight pinching or twisting of the wrist
- Patented magnetic functionality
- Striker sits flush with closing jamb
- Indicates whether a room is occupied
- Matches other hardware in the range

Dimensions

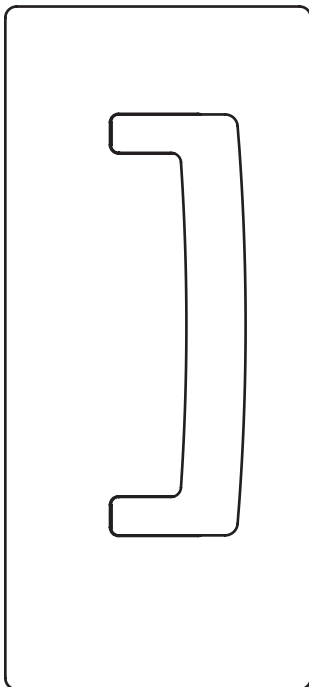


Door cut-out

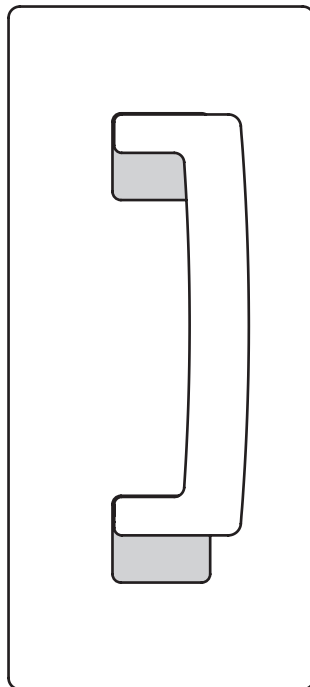


IMPORTANT: Operable parts of hardware must be mounted 34" (865 mm) min. and 48" (1220 mm) max. above finished floor to meet ADA guidelines. The clear width of the door opening must be a minimum of 32" (813 mm). Always check local and federal guidelines relating to the project.

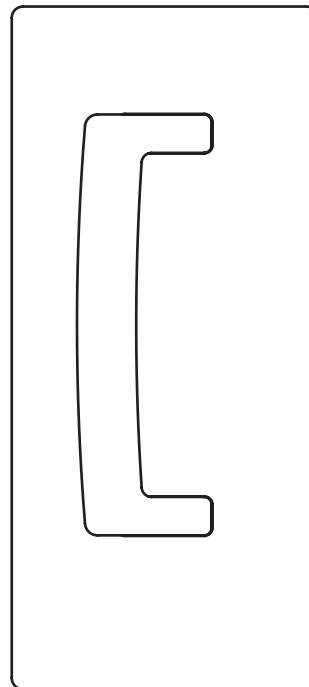
Configuration options



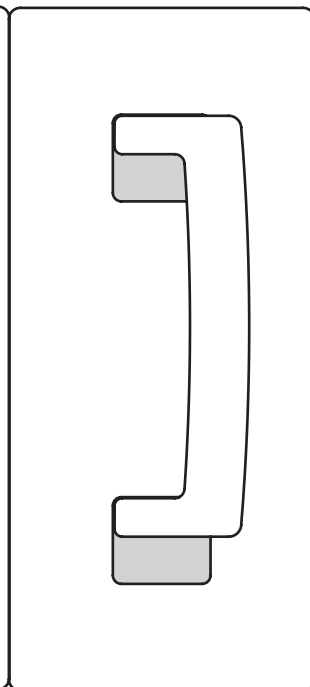
Passage



Privacy



Bi-parting (passage or privacy)



ADA magnetic passage pull

NO.	THICKNESS	FINISH
CL406A0028	1-3/8" (34 mm)	Chrome (C26)
CL406A0128	1-3/8" (34 mm)	Satin chrome (26D)
CL406A0328	1-3/8" (34 mm)	Satin nickel (US15)
CL406A0029	1-3/4" (45 mm)	Chrome (C26)
CL406A0129	1-3/4" (45 mm)	Satin chrome (26D)
CL406A0329	1-3/4" (45 mm)	Satin nickel (US15)

Magnetic passage pull

NO.	THICKNESS	FINISH
CL400A0028	1-3/8" (34 mm)	Chrome (C26)
CL400A0128	1-3/8" (34 mm)	Satin chrome (26D)
CL400A0328	1-3/8" (34 mm)	Satin nickel (US15)
CL400A0029	1-3/4" (45 mm)	Chrome (C26)
CL400A0129	1-3/4" (45 mm)	Satin chrome (26D)
CL400A0329	1-3/4" (45 mm)	Satin nickel (US15)

A stylish architectural option for passage pull. Designed to complement the privacy and locking range, this pull features a positive hold close action to ensure the door doesn't bounce off the closing jamb.

- Passage hardware matches privacy and key locking hardware
- Door slides flush back into the pocket
- Magnetic latch ensures door doesn't roll away from the closing jamb
- Available in a range of finishes
- Non-magnetic version also available



ADA magnetic privacy pull

NO.	THICKNESS	STYLE	FINISH
CL406B0028	1-3/8" (34 mm)	Right	Chrome (C26)
CL406B0128	1-3/8" (34 mm)	Right	Satin chrome (26D)
CL406B0328	1-3/8" (34 mm)	Right	Satin nickel (US15)
CL406B0033	1-3/4" (45 mm)	Right	Chrome (C26)
CL406B0133	1-3/4" (45 mm)	Right	Satin chrome (26D)
CL406B0333	1-3/4" (45 mm)	Right	Satin nickel (US15)
CL406B0029	1-3/8" (34 mm)	Left	Chrome (C26)
CL406B0129	1-3/8" (34 mm)	Left	Satin chrome (26D)
CL406B0329	1-3/8" (34 mm)	Left	Satin nickel (US15)
CL406B0034	1-3/4" (45 mm)	Left	Chrome (C26)
CL406B0134	1-3/4" (45 mm)	Left	Satin chrome (26D)
CL406B0334	1-3/4" (45 mm)	Left	Satin nickel (US15)

Magnetic privacy pull

NO.	THICKNESS	STYLE	FINISH
CL400B0028	1-3/8" (34 mm)	Right	Chrome (C26)
CL400B0128	1-3/8" (34 mm)	Right	Satin chrome (26D)
CL400B0328	1-3/8" (34 mm)	Right	Satin nickel (US15)
CL400B0033	1-3/4" (45 mm)	Right	Chrome (C26)
CL400B0133	1-3/4" (45 mm)	Right	Satin chrome (26D)
CL400B0333	1-3/4" (45 mm)	Right	Satin nickel (US15)
CL400B0029	1-3/8" (34 mm)	Left	Chrome (C26)
CL400B0129	1-3/8" (34 mm)	Left	Satin chrome (26D)
CL400B0329	1-3/8" (34 mm)	Left	Satin nickel (US15)
CL400B0034	1-3/4" (45 mm)	Left	Chrome (C26)
CL400B0134	1-3/4" (45 mm)	Left	Satin chrome (26D)
CL400B0334	1-3/4" (45 mm)	Left	Satin nickel (US15)

The privacy option matches the other configurations in the range. The magnetic latching feature ensures the door doesn't roll open - even if the latch is not engaged.

- Privacy hardware matches passage and key locking hardware
- Door slides flush back into the pocket
- Magnetic latch ensures door doesn't roll away from the closing jamb
- Moving parts sit flush until the door closes to minimize wear
- Available in a range of finishes



ADA magnetic bi-parting passage pull

NO.	THICKNESS	FINISH
CL406D0028	1-3/8" (34 mm)	Chrome (C26)
CL406D0128	1-3/8" (34 mm)	Satin chrome (26D)
CL406D0328	1-3/8" (34 mm)	Satin nickel (US15)
CL406D0029	1-3/4" (45 mm)	Chrome (C26)
CL406D0129	1-3/4" (45 mm)	Satin chrome (26D)
CL406D0329	1-3/4" (45 mm)	Satin nickel (US15)

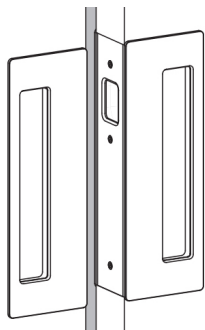
ADA magnetic bi-parting privacy pull

NO.	THICKNESS	FINISH
CL406D0038	1-3/8" (34 mm)	Chrome (C26)
CL406D0138	1-3/8" (34 mm)	Satin chrome (26D)
CL406D0338	1-3/8" (34 mm)	Satin nickel (US15)
CL406D0043	1-3/4" (45 mm)	Chrome (C26)
CL406D0143	1-3/4" (45 mm)	Satin chrome (26D)
CL406D0343	1-3/4" (45 mm)	Satin nickel (US15)

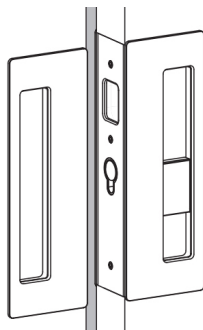


The bi-parting set is suitable for use where two doors meet in the middle. Passage, privacy and key locking configurations are available. The positive hold close action brings the doors together smoothly and holds them together until ready to open. **Note:** privacy and key locking configurations are not suitable as a high security option when used in a bi-parting door setup.

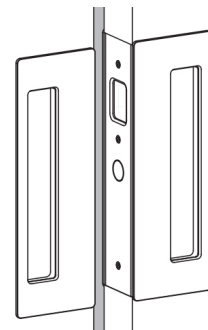
- Options include passage, privacy and key locking
- Bi-parting hardware matches other hardware in the range
- Moving parts sit flush until the door closes to minimize wear
- Doors slide flush back into the pocket
- Available in a range of finishes



Passage non-latching



Privacy

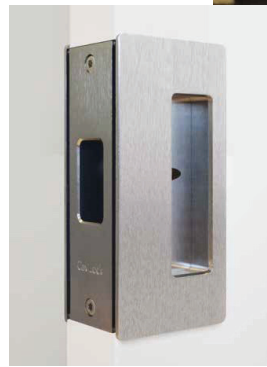


Passage - latching

CaviLock CL200 magnetic pull for sliding doors

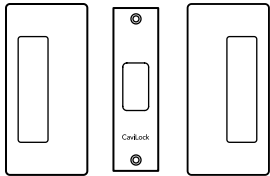
CaviLock® High-quality door hardware for most interior-sliding applications

The CL200 Magnetic is a durable range of sliding door hardware suitable for residential, commercial, and hospitality applications. Privacy handles incorporate a patented magnetic latching system (patent pending), ensuring a smooth locking action. This handle is not handed. Two face plate widths are available. Handles can be adjusted to suit doors from 1-3/8" to 1-1/2" or 1-5/8" to 1-3/4" thick.



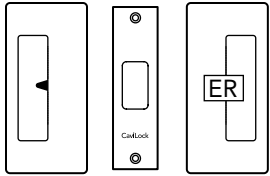
Configuration options

CL205A - Passage (non-latching)



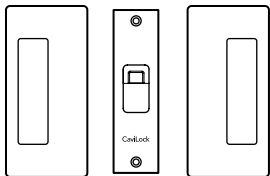
Passage handles are suitable for situations where locking or latching is not required. These handles do not have a striker or magnet.

CL205D - Privacy (latch/emergency)



Privacy handles have a discreet triangular shaped latch button on one side and Emergency Release on the other side. They are suitable for sliding doors where latching is required.

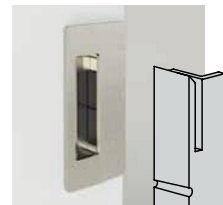
CL205C - Bi-Parting (to latch with privacy)



The Bi-Parting mate includes a striker on the face plate to enable it to latch with a privacy handle. For Bi-Parting passage doors, order two single passage handles.

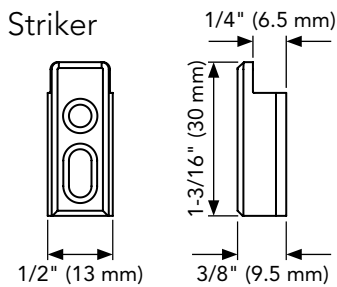
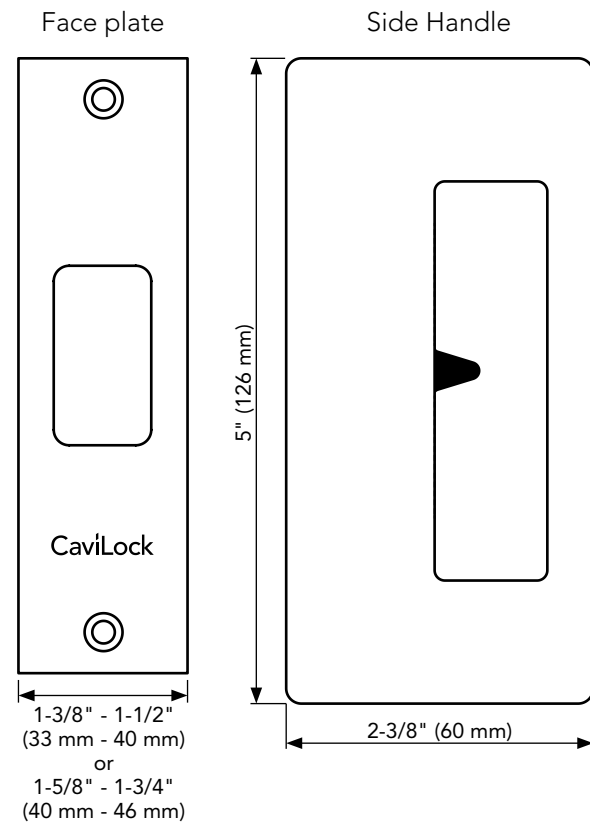


Privacy Latch Button



Emergency Release

Dimensions



Features

- Passage, privacy, and bi-parting options are available in a range of finishes
- Suitable for use on wood or aluminum doors
- Integrated latch button allows more space in the side pull
- Handles are not handed
- Simple installation with easy to follow instructions

Passage

NO.	THICKNESS	FINISH
CL205A0000	1-3/8" (34 mm)	Chrome (26)
CL205A0001	1-3/8" (34 mm)	Satin Chrome (26D)
CL205A0002	1-3/8" (34 mm)	Oil-Rubbed Bronze (10B)
CL205A0003	1-3/8" (34 mm)	Satin Nickel (15)
CL205A0006	1-3/8" (34 mm)	Flat Black
CL205A0015	1-3/4" (45 mm)	Chrome (26)
CL205A0016	1-3/4" (45 mm)	Satin Chrome (26D)
CL205A0017	1-3/4" (45 mm)	Oil-Rubbed Bronze (10B)
CL205A0018	1-3/4" (45 mm)	Satin Nickel (15)
CL205A0021	1-3/4" (45 mm)	Flat Black

Privacy

NO.	THICKNESS	FINISH
CL205D0000	1-3/8" (34 mm)	Chrome (26)
CL205D0003	1-3/8" (34 mm)	Satin Chrome (26D)
CL205D0006	1-3/8" (34 mm)	Oil-Rubbed Bronze (10B)
CL205D0009	1-3/8" (34 mm)	Satin Nickel (15)
CL205D0018	1-3/8" (34 mm)	Flat Black
CL205D0030	1-3/4" (45 mm)	Chrome (26)
CL205D0033	1-3/4" (45 mm)	Satin Chrome (26D)
CL205D0036	1-3/4" (45 mm)	Oil-Rubbed Bronze (10B)
CL205D0039	1-3/4" (45 mm)	Satin Nickel (15)
CL205D0048	1-3/4" (45 mm)	Flat Black

Bi-Parting

NO.	THICKNESS	FINISH
CL205C0000	1-3/8" (34 mm)	Chrome (26)
CL205C0001	1-3/8" (34 mm)	Satin Chrome (26D)
CL205C0002	1-3/8" (34 mm)	Oil-Rubbed Bronze (10B)
CL205C0003	1-3/8" (34 mm)	Satin Nickel (15)
CL205C0006	1-3/8" (34 mm)	Flat Black
CL205C0015	1-3/4" (45 mm)	Chrome (26)
CL205C0016	1-3/4" (45 mm)	Satin Chrome (26D)
CL205C0017	1-3/4" (45 mm)	Oil-Rubbed Bronze (10B)
CL205C0018	1-3/4" (45 mm)	Satin Nickel (15)
CL205C0021	1-3/4" (45 mm)	Flat Black

INOX mortise pull for sliding doors



PD8000 series

- For residential or commercial applications
- Heavy gauge steel lock case and solid brass cylinder
- Brass and stainless steel deadbolt and edge pull
- Brass deadbolt with 1" (25 mm) throw
- Self-retracting hook with non-marring latch bolt
- Spring loaded edge pull with unique internal sound buffer
- Solid brass push button
- Stainless steel or brass face plate, 3/32" (2 mm) thick
- Vertically adjustable strike
- Cylinder: Schlage "C" keyway 5 pin mortise cylinder with two keys (KD)
- Keying services available

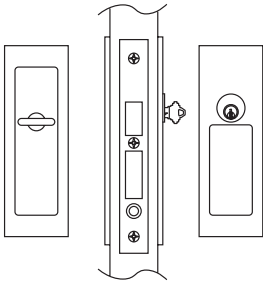


Vertically adjustable strike

NO.	FUNCTION	STYLE	FINISH	DOOR THICKNESS	BACKSET
17PD80SS17551	Entry	Linear	Satin stainless steel (US32D)	1-3/4" (45 mm)	2-3/4" (70 mm)
17PD80SS17542	Privacy	Linear		1-3/4" (45 mm)	2-3/4" (70 mm)
17PD80SS37542	Privacy	Linear	Satin nickel (US15)	1-3/8" (35 mm)	2-3/4" (70 mm)
17PD80ASS37542	Privacy	Arc		1-3/4" (45 mm)	2-3/4" (70 mm)
17PD82SS17510	Passage	Linear		1-3/4" (45 mm)	2-3/4" (70 mm)
17PD82SS37510	Passage	Linear		1-3/8" (35 mm)	2-3/4" (70 mm)

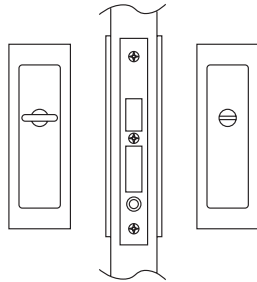
*Other finishes available upon request

Entry with single cylinder



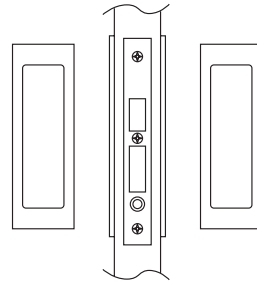
Key outside and thumb turn inside retracts deadbolt with hook. Edge finger pull operated by a push button.

Privacy with emergency release



Deadbolt operated by inside thumb turn and outside emergency release or coin turn. Edge finger pull operated by a push button.

Passage with dust-proof strike



Lock case used as dust-proof strike on a pair of doors' inactive side. Edge finger pull operated by a push button.



PD5000 series

- For residential or commercial applications
- Heavy gauge steel lock case and solid brass cylinder
- Brass and stainless steel deadbolt
- Brass deadbolt with 1" (25 mm) throw
- Self-retracting hook with non-marring latch bolt
- Stainless steel or brass face plate, 3/32" (2 mm) thick
- Vertically adjustable strike
- ADA-compliant
- Cylinder: Schlage "C" keyway 5 pin mortise cylinder with two keys (KD)
- Keying services available



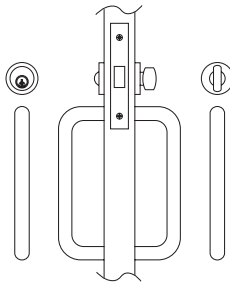
NO.	FUNCTION	FINISH	DOOR THICKNESS	BACKSET	NOTES
17PD50SS25051	Entry	Satin stainless steel (US32D)	1-3/4" (45 mm)	2-1/2" (64 mm)	
17PD50SS27551	Entry		1-3/4" (45 mm)	2-3/4" (70 mm)	1-13/16" (46 mm) small square rosette
17PD50SS25042	Privacy		1-3/4" (45 mm)	2-1/2" (64 mm)	
17PD50SS23442	Privacy		1-3/4" (45 mm)	2-3/4" (70 mm)	
17PD50SS25010	Passage		-	2-1/2" (64 mm)	Sold separately
17PD50SS23410	Passage		-	2-3/4" (70 mm)	



Vertically adjustable strike

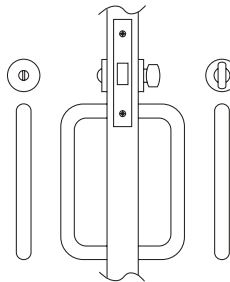
*Other finishes available upon request

Entry with single cylinder



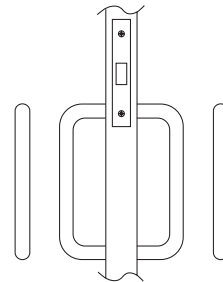
Key outside and thumb turn inside retracts deadbolt.

Privacy with emergency release

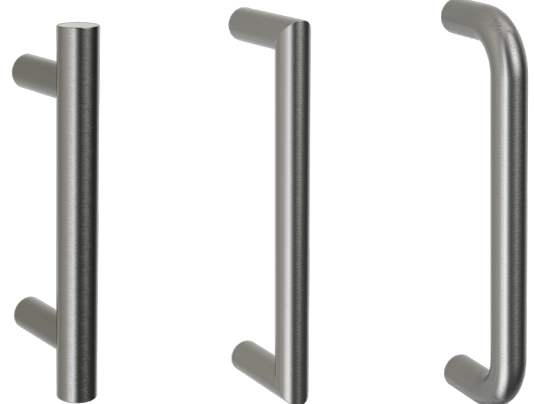


Deadbolt operated by inside thumb turn and outside emergency release coin turn.

Passage with dust-proof strike



Lock case used as dust-proof strike on a pair of doors' inactive side.



17PD50 series

NO.	FINISH	STYLE	COMPLIANCE	MOUNTING
17PHIXSSLBT10	Satin stainless steel (US32D)	Ladder pull	ADA-compliant	Bolt-thru
17PHIXSSLBB10		Ladder pull	ADA-compliant	Back-to-back
17PHIXSSCBT10		Square "C" pull	ADA-compliant	Bolt-thru
17PHIXSSCBB10		Square "C" pull	ADA-compliant	Back-to-back
17PHIXSSUBT10		Round "U" pull	ADA-compliant	Bolt-thru
17PHIXSSUBB10		Round "U" pull	ADA-compliant	Back-to-back
17PHIXSSUR10		Round "U" pull	ADA-compliant	On rosette
17PHIXSSDBT10		Square Split pull	ADA-compliant	Bolt-thru
17PHIXSSDBB10		Square Split pull	ADA-compliant	Back-to-back
17PHIXSSTDBT10		Tapered "D" pull	ADA-compliant	Bolt-thru
17PHIXSSTDBB10		Tapered "D" pull	ADA-compliant	Back-to-back



Ladder pull



Square "C" pull



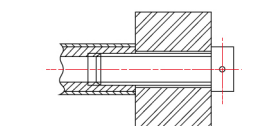
Round "U" pull



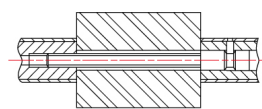
Square split pull



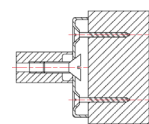
Tapered "D" pull



Bolt-thru fixing



Back-to-back fixing



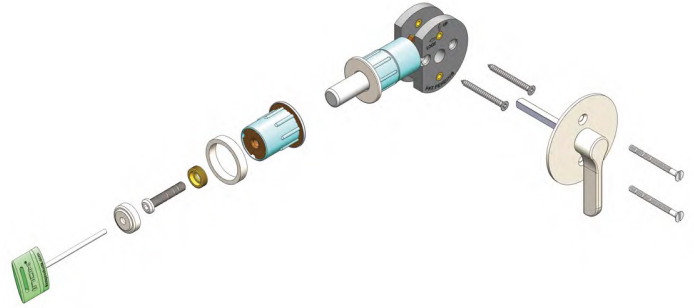
On-rosette fixing

BD4000 privacy lock for sliding doors



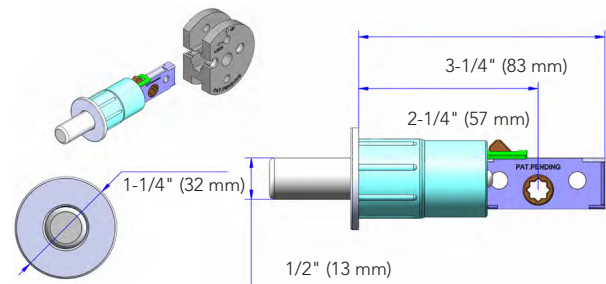
Application

- A simple and elegant privacy lock for barn door openings for either residential or commercial applications, without having to build out extra frames.
- Tubular drive-in bolt installed inside the jamb.
- Dust-proof strike installed in the door on trailing side.
- Discrete release button with decorative cap installed on outside of the door for emergency release.
- A variety of trim escutcheons with T-turn installed on jamb side allow locking and unlocking of the bolt from inside.
- ADA T-turn available for commercial and hospitality applications.

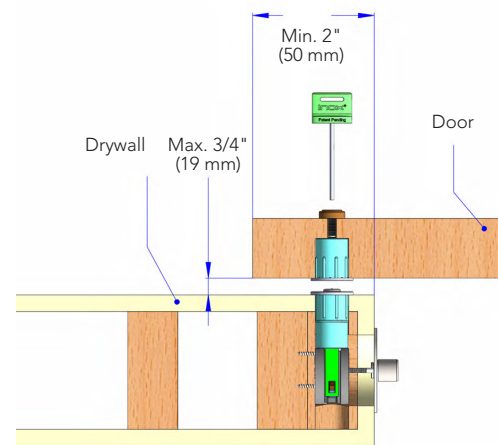
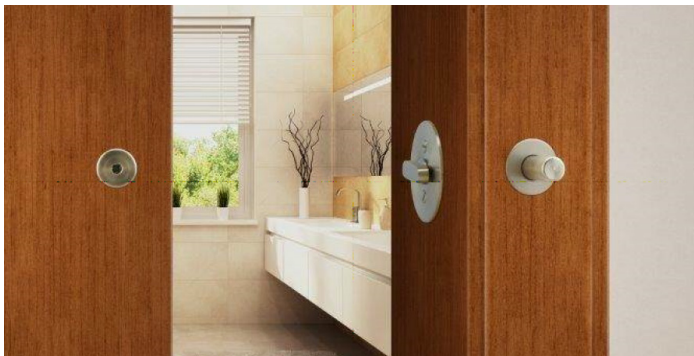


Lock

- BD4000 lock bolt is mortised into the jamb stud
- 2-1/4" (57 mm) backset
- Drive-in bolt casing diameter: 1" (25 mm)
- Lock bolt: 1/2" (13 mm) dia. stainless steel
- Strike mounted in barn door for standard door thickness: 1-3/8" – 1-3/4" (35 – 45 mm)
- Handing: non-handed
- Spindle hub: 5 mm x 5 mm square

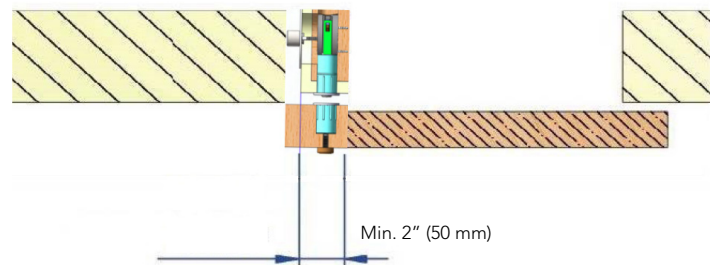


Note: standard door opening walls have 2 wood studs behind drywall or trim casing.

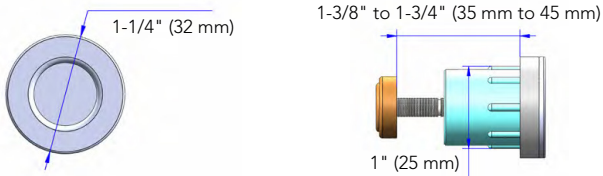


Overlap

Door overlap is the distance from the edge of the door to the edge of the wall. Measure the door overlap on the lock side when the door is fully closed.

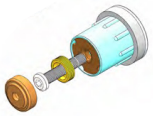


Adjustable dust-proof strike



1-1/4" (32 mm) diameter spring-loaded dust-proof strike provides ample space to receive 1/2" (13 mm) bolt and allows easy locking by end user.

Features



Minimum aesthetic impact on door surface.



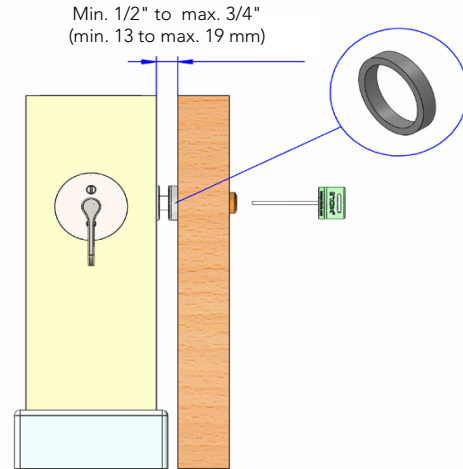
Strike can be adjusted to fit barn door thickness from 1-3/8" – 1-3/4" (35 – 45 mm).



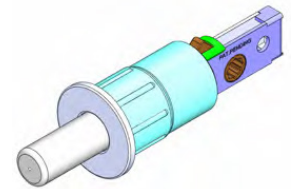
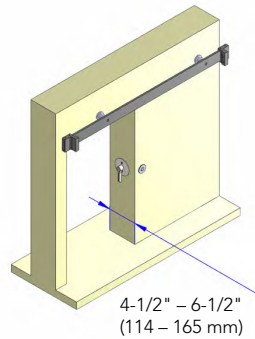
1/8" (3 mm) diameter release button allows bolt to be unlocked from outside in case of an emergency.

Spacer ring

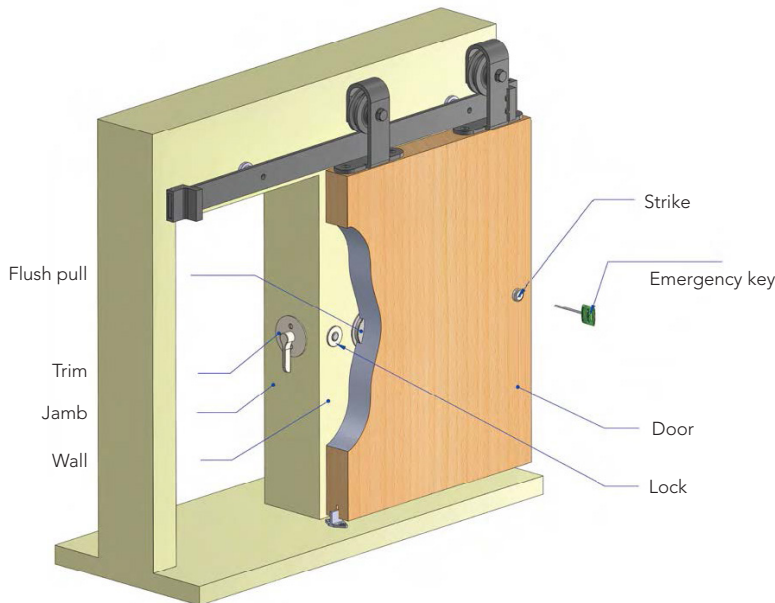
Lock bolt has 1" projection and allows up to 1/2" door to wall gap. Extra spacer ring accommodates up to 3/4" gap between barn door and wall.



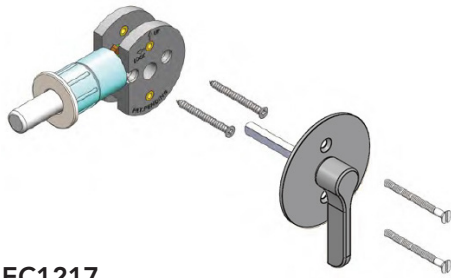
Wall thickness



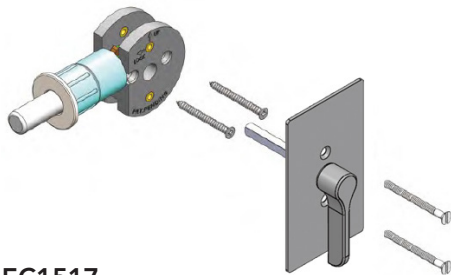
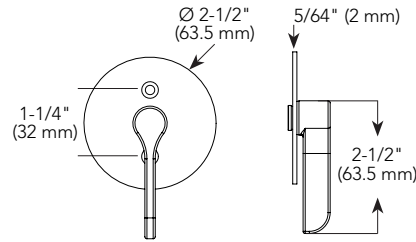
Wall thickness: 4-1/2" – 6-1/2" (114 – 165 mm)
Backset: 2-1/4" (57 mm)



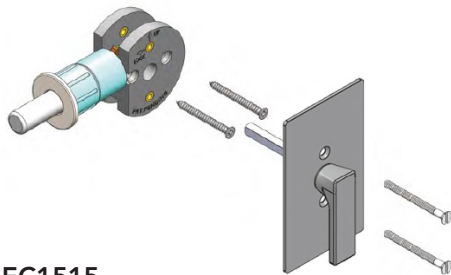
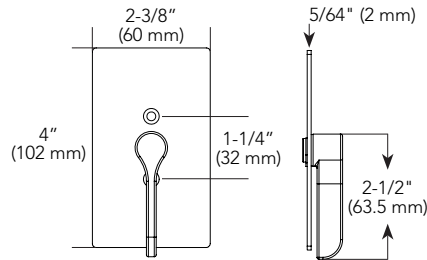
Barn door lock, escutcheon and lever models



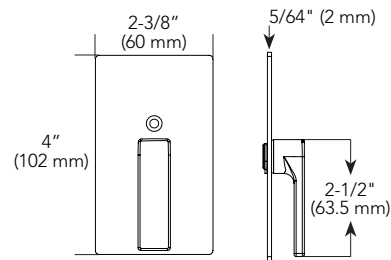
EC1217



EC1517



EC1515



Spindle and screws included with trim:
 Spindle: 2-3/8" (62 mm x 5 mm x 5 mm)
 Screw: M4 x 2" (50 mm)

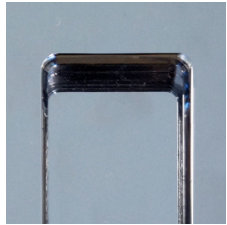
NO.	FINISH
171217BD14SS42	Satin stainless steel (32D)
171217BD14SB42	Bright stainless steel (32)
171217BD14GB42	Ceramic graphite black (C19G)
171217BD14B42	Satin brass (4)
171217BD14SC42	Satin chrome (26D)
171217BD14ORB42	Oil-rubbed bronze (10B)
171517BD14SS42	Satin stainless steel (32D)
171517BD14SB42	Bright stainless steel (32)
171517BD14GB42	Ceramic graphite black (C19G)
171517BD14B42	Satin brass (4)
171517BD14SC42	Satin chrome (26D)
171517BD14ORB42	Oil-rubbed bronze (10B)
171515BD14SS42	Satin stainless steel (32D)
171515BD14SB42	Bright stainless steel (32)
171515BD14GB42	Ceramic graphite black (C19G)
171515BD14B42	Satin brass (4)
171515BD14SC42	Satin chrome (26D)
171515BD14ORB42	Oil-rubbed bronze (10B)



Finishes

CaviLock CL400 magnetic pull finishes

In stock:



(26)
Chrome



(26D)
Satin chrome

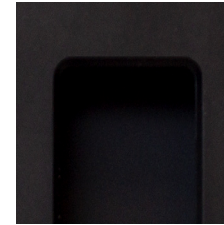


(15)
Satin nickel

Special order (2 weeks):



(10B)
Oil-rubbed bronze



(FB)*
Flat black

*Not available for CL400
ADA Magnetic

INOX mortise pull finishes

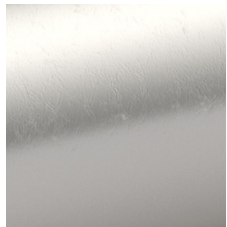


(32D)
Satin stainless steel



(15)
Satin nickel

BD4000 privacy lock finishes



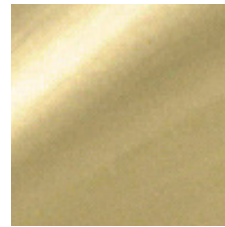
(32D)
Satin stainless steel



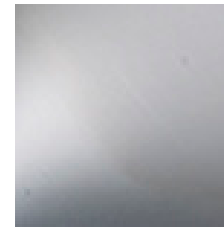
(32)
Bright stainless steel



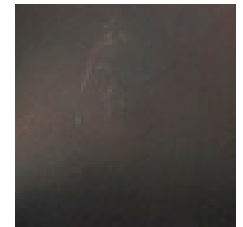
(C19G)
Ceramic graphite black



(4)
Satin brass



(26D)
Satin chrome



(C10B)
Oil-rubbed bronze

