



# LOCKS

GLASS LOCKS  
CABINET LOCKS  
SHEET METAL CAM LOCKS  
PUSH LOCKS  
CAM LOCKS

## HOW TO ORDER

For all lock orders, please specify one of the following keying options at the time of order:

- **Keyed Alike:**

All locks will have the same key number, and can be unlocked with the same key. Good option for low-security environments, or when multiple displays need to be easily accessed.

- **Keyed Differently:**

Each lock will have a different key number, and cannot be unlocked with the same key. Option for higher security environments, lockers, etc., when access must be restricted.

- **Keyed Differently with Master Keying:**

Each lock will have a different key number; a master key can be used to access all locks. For higher security environments with restricted access, where a supervisor or custodian requires complete access. (Not available for all models, available by special order only. A master key surcharge may apply.)

### GLASS LOCKS

Picture	Item No.		Key Changes	Master Key Option	Page
	XL-GC01		24	-	614
	XL-GC02		24	-	614
	XL-GC03		24	-	615
	2100GLK		12	-	615
	1300GL		1 Million	2520 changes per master key	616
	2200GL		12	Master key option available	616
	NO990		40,000	-	617
	1310GL		1 Million	2520 changes per master key	618
	1310GLW		1 Million	2520 changes per master key	618
	MD-N1		7800	750 changes per master key	619-622
	MD-MK1, K1		-	-	619-622
	1330GL-MK		7800	750 changes per master key	619

### MILLION CABINET LOCKS

Picture	Item No.		Key Changes	Master Key Option	Page
	1830-MK		7800	750 changes per master key	621
	6830-30MK		7800	750 changes per master key	622
	7810		1 Million	2520 changes per master key	623
	6810-SP		-	-	623
	8810-24		3 Million	3000 changes per master key	624

**CABINET LOCKS**

Picture	Item No.	Key Changes	Master Key Option	Page	Picture	Item No.	Key Changes	Master Key Option	Page	
	2100	12	-	625		3320	156	-	630	
	2200	12	Master key option available	626		5830-24MK	3120	780 changes per master key	631	
	2550	300	Master key option available	627		5830-SP	-	-	631	
	2650	48-96 key changes available (varies by model)	-	628		2200QL		300	170 changes per master key	632
	3310	156	-	629		3810S		300	Master key option available	632
	TSSP	-	-	629						

**PUSH LOCKS**

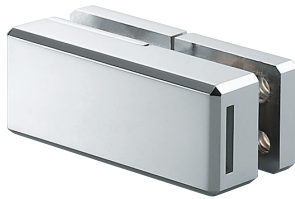
Picture	Item No.	Key Changes	Master Key Option	Page
	2300, 2400	1 Million	2520 changes per master key	634
	2160M	24	-	634
	2100M	12	-	635
	2110M	12	-	635
	2100B	12	-	636
	2110B	12	-	636
	2150B	24	-	637
	6300	96	-	637

**SHEET METAL CAM LOCKS**

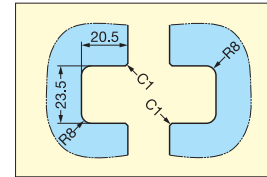
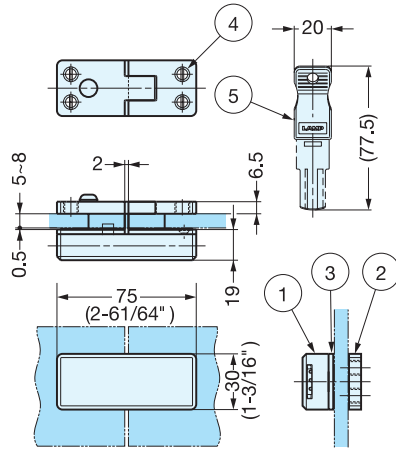
Picture	Item No.	Key Changes	Master Key Option	Page	
	LA SERIES	-	-	633	
	1300SK		1 Million	2520 changes per master key	633
	900		1 Million	2520 changes per master key	638
	SN-711-8		Up to 1500 key changes	-	638
	DCY-34		2000	866 changes per master key	639
	3800S		300	Master key option available	639
	NAL-S		Key change by special order only	-	640
	NAL		Up to 5000 key changes	-	640
	7110		-	-	640.1

# GLASS DOOR LOCK FOR SWINGING DOUBLE DOORS

# XL-GC01



- Dual locking mechanism: locks and unlocks both doors at once by inserting the key.
- Non-handed. Key hole located on the right side for a clean appearance.
- Key acts as a knob when unlocked.
- Includes 2 keys.
- Use with XL-GC Series glass showcase hardware (sold separately, P.271).



Cut Out Dimension

Item No.	Glass Thickness (mm)	Key Changes	Key (pcs)	Weight (g)	Box (pcs)	Carton (pcs)
XL-GC01-C	5~8 (3/16"~5/16")	24	2	406	1	24

No.	Part Name	Material	Finish/Color
①	Body	Zinc Alloy	Chrome
②	Counterplate		Black
③	Spacer	Synthetic Rubber	Black
④	Screws	304 Stainless Steel	Plain
⑤	Key	Brass/ABS	Nickel/Black

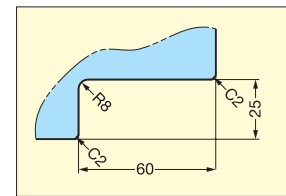
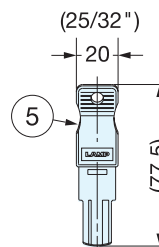
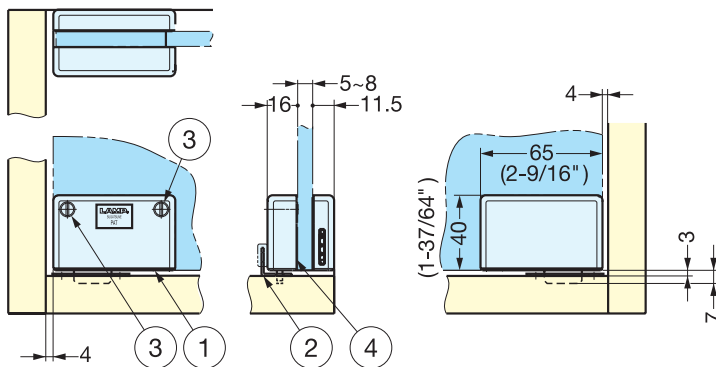
# GLASS DOOR LOCK FOR INSET SWINGING DOORS



# XL-GC02



- Locks are handed left or right. Key hole located on the side for a clean appearance.
- Lock cam swings downwards into frame.
- Includes 2 keys.
- Use with Inset Glass Pivot Hinge XL-GC04 (sold separately, P.272).
- Use with XL-GL Series glass showcase hardware (sold separately, P.271).



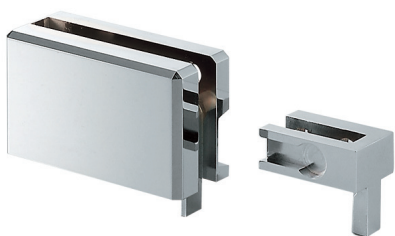
Cut Out Dimension

Item No.	Type	Glass Thickness (mm)	Key Changes	Key (pcs)	Weight (g)	Box (pcs)	Carton (pcs)
XL-GC02-R-C	Right	5~8 (3/16"~5/16")	24	2	415	1	24
XL-GC02-L-C	Left						

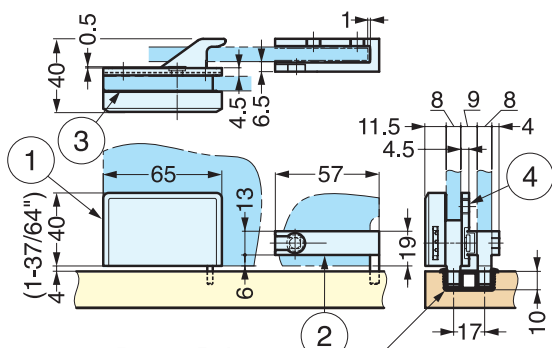
No.	Part Name	Material	Finish/Color
①	Body	Zinc Alloy	Chrome
②	Counterplate	304 Stainless Steel Chloroprene Rubber	Polished/Black
③	Screws	304 Stainless Steel	Plain
④	Spacer	Synthetic Rubber	Black
⑤	Key	Brass/ABS	Nickel/Black

# GLASS DOOR LOCK FOR SLIDING DOOR

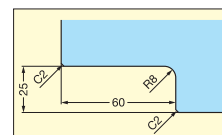
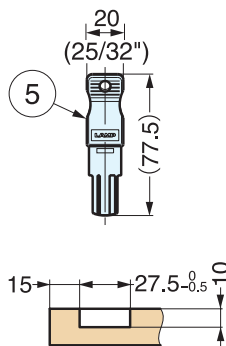
# XL-GC03



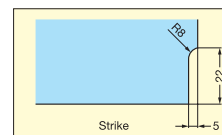
- For bypass sliding glass doors.
- Key hole located on the right side for a clean appearance.
- Includes 2 keys.
- Use with XL-GC Series glass showcase hardware (sold separately, P.604).
- Please order 1pc per 2 doors.



Bottom Rail  
XL-GC03-GL1200  
Sold separately (P.604)



Cut Out Dimension (Body)



Cut Out Dimension (Strike)

Item No.	Glass Thickness (mm)	Key Changes	Key (pcs)	Weight (g)	Box (pcs)	Carton (pcs)
XL-GC03-C	8 (5/16")	24	2	351	1	24

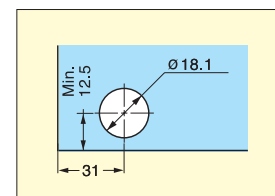
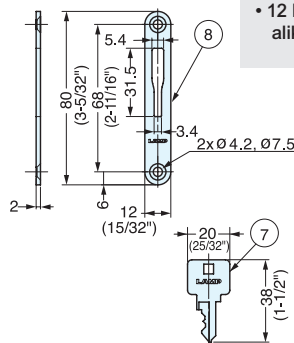
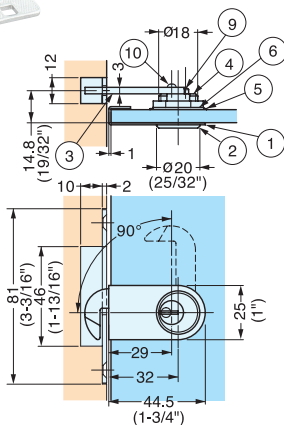
No.	Part Name	Material	Finish/Color
①	Body	Zinc Alloy	Chrome
②	Strike		
③	Spacer	Synthetic Rubber	Black
④	Screws	304 Stainless Steel	Plain
⑤	Key	Brass/ABS	Nickel/Black

# GLASS DOOR CAM LOCK

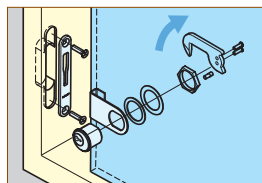
# 2100GLK



- For swinging glass doors with glass 5/32" to 1/4" (4-6 mm) thick.
- Requires  $\phi 23/32"$  (18.1 mm) bore for installation.
- Non-handed, swinging cam can be mounted to swing left or right.
- Key acts as a knob and can only be removed when locked.
- 12 key changes are available; please specify keyed alike or differently when ordering.



Cut Out Dimension



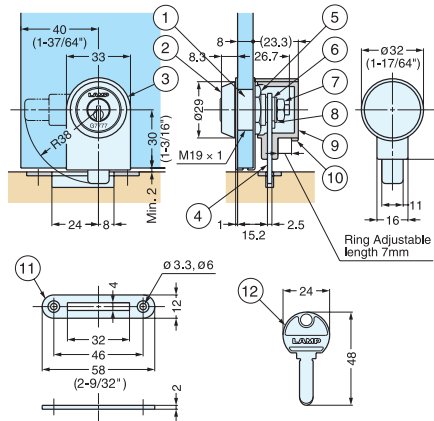
Item No.	Glass Thickness (mm)	Key Changes	Key (pcs)	Weight (g)	Box (pcs)	Carton (pcs)
2100GLK	4~6 (5/32"~1/4")	12	1	75	12	120

No.	Part Name	Material	Finish/Color
①	Front Plate	304 Stainless Steel	Satin
②	Body	Brass	Satin Nickel
③	Cam	Steel	Nickel
④	Hex Nut	Brass	Nickel
⑤	Plastic Washer	Polyamide	Natural
⑥	Washer	Steel	Nickel
⑦	Key	Brass	Nickel
⑧	Counterplate	Steel	Nickel
⑨	Pin	Brass	Plain
⑩	Screw	Steel	Nickel

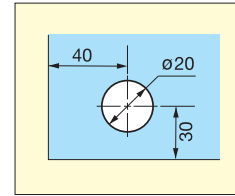
# GLASS DOOR CAM LOCK



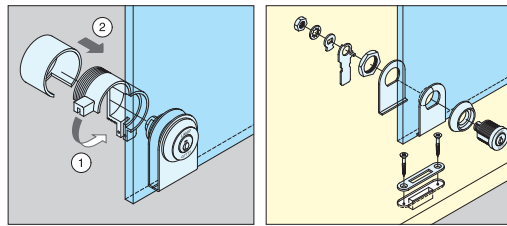
1300GL



- Dimple key lock series ideal for showcase application.
- High security reversible key. (3 keys supplied)
- 1 million key changes available; please specify keyed alike or differently when ordering.
- Master key system available at surcharge. (Max. 2,520 key changes per master key.)



Cut Out Dimension



Installation

Item No.	Glass Thickness (mm)	Weight (g)	Box (pcs)	Carton (pcs)
1300GL	5~8 (3/16"~5/16")	140	12	60

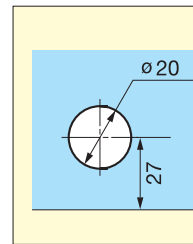
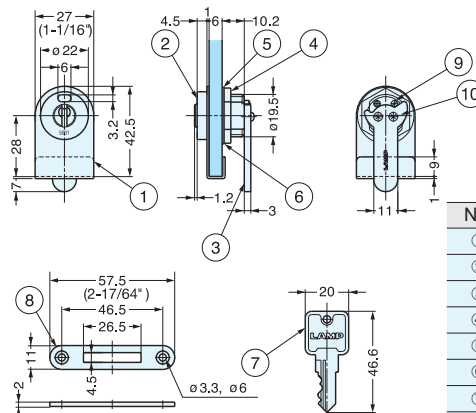
No.	Part Name	Material	Finish
①	Body	Brass	Satin Nickel
②	Ring		
③	Front Plate	304 Stainless Steel	Polished
④	Cam		
⑤	Hex Nut	Steel	Silver
⑥	Washer	Brass	Nickel
⑦	Hex Nut	Steel	Silver
⑧	Washer		
⑨	Case Cover	Polypropylene	Black
⑩	Ring		
⑪	Counterplate	303 Stainless Steel	Polished
⑫	Key	Brass	Nickel

# GLASS DOOR CAM LOCK (W/INDICATOR)

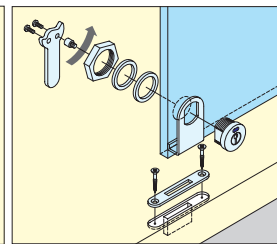
2200GL



- Brass cylinder lock with 2 keys.
- Locked/Unlocked Indicator  
- Unlocked: Blue  
- Locked: Red
- Master key system (2200 GLMK) available at surcharge.
- Key can be shared with other 2200 series locks.
- 12 key changes available; please specify keyed alike or differently when ordering.



Cut Out Dimension



Installation

Item No.	Glass Thickness (mm)	Weight (g)	Box (pcs)	Carton (pcs)
2200GL	4~6 (5/32"~1/4")	75	12	120

No.	Part Name	Material	Finish
①	Front Plate	303 Stainless Steel	Polished
②	Body	Brass	Nickel
③	Cam	Steel	
④	Hex. Nut	Brass	
⑤	Plastic Washer	Polyamide	Natural
⑥	Washer	Steel	Chrome
⑦	Key	Brass	Nickel
⑧	Counterplate	Steel	Chrome
⑨	Pin	Brass	Plain
⑩	Screw	Steel	Nickel(M2.5x8)

SHEET METAL CAM LOCK (MAGNETIC KEY SYSTEM)



NO990

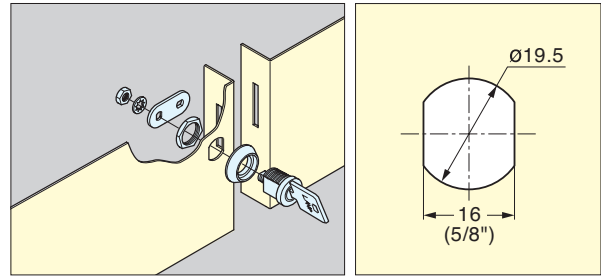
- Magnetic key system for high security.
- 90 degree cam rotation.
- Key is removable in locked position only.
- Maximum 40,000 key changes available.



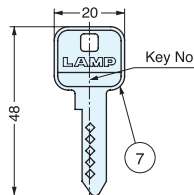
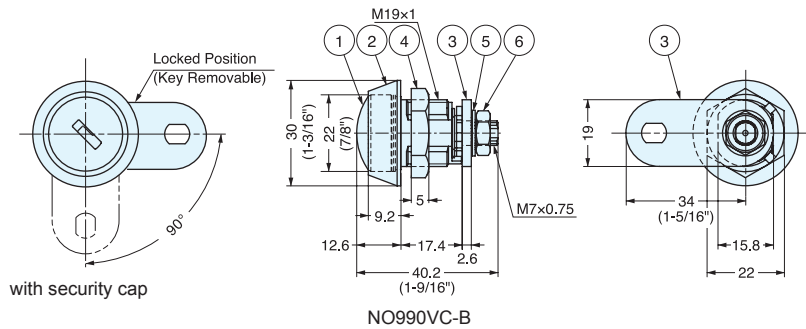
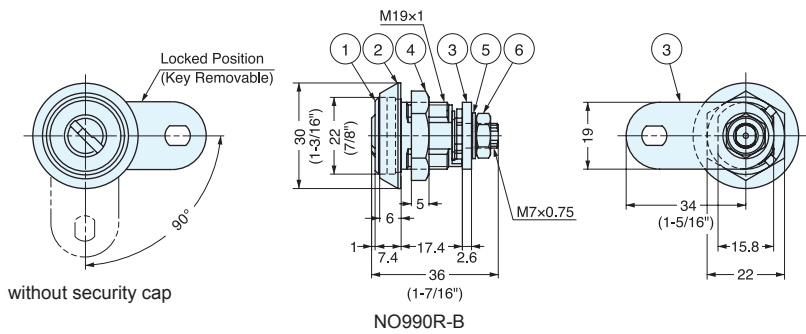
NO990R-B



NO990VC-B



Cut Out Dimensions



No.	Part Name	Material	Finish
①	Body	Brass	Chrome
②	Ring		
③	Cam	Steel	Yellow Zinc Chromate
④	Hex Nut	Zinc Alloy	Chrome
⑤	Washer	Steel	Yellow Zinc Chromate
⑥	Cam Nut		
⑦	Key	Brass/Ferrite	Nickel

Item No.	Metal Thickness (mm)	Security Cap	Keys Included	Weight	Box (pcs)
NO990R-B	0.8~8.0	Without security cap	2	103	1
NO990VC-B	(1/32"~5/16")	With security cap		109	

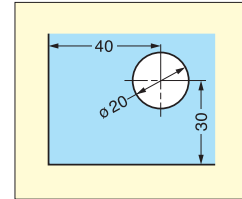
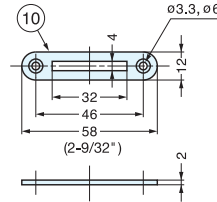
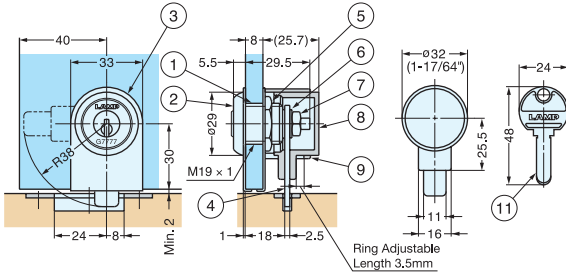
# GLASS DOOR CAM LOCK



## 1310GL



- Dimple key lock series ideal for showcase application.
- High security reversible key. (3 keys supplied)
- Key acts as a knob and can only be removed when locked.
- 1 million key changes available; please specify keyed alike or differently when ordering.
- Available in Satin Nickel (SN), Chrome (CR), Gold (GC) or Black Chrome (BL) finish.
- Master key system available at surcharge. (Max. 2,520 key changes per master key.)



Cut Out Dimension

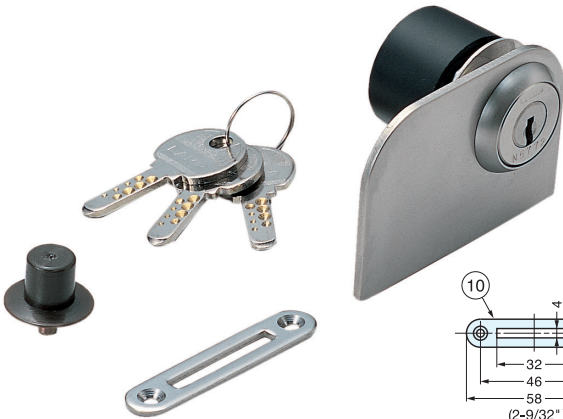
Item No.	Glass Thickness (mm)	Weight (g)	Box (pcs)	Carton (pcs)
1310GL-SN	5~8 (3/16"~5/16")	139	12	60
1310GL-CR				
1310GL-GC				
1310GL-BL				

No.	Part Name	Material	Finish			
			SN	CR	GC	BL
①	Body	Brass	Nickel	Chrome	Gold	Black Chrome
②	Ring					
③	Front Plate	304 Stainless Steel	Satin	Polished	Gold	Black Chrome
④	Cam				Plain	
⑤	Hex Nut	Steel			Silver	
⑥	Washer				Nickel	
⑦	Hex Nut				Silver	
⑧	Case Cover	Polypropylene			Black	
⑨	Ring					
⑩	Counterplate	303 Stainless Steel		Polished		Black Chrome
⑪	Key	Brass				Nickel

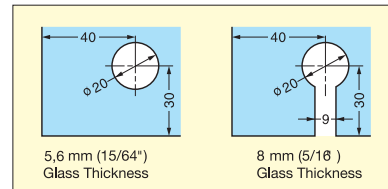
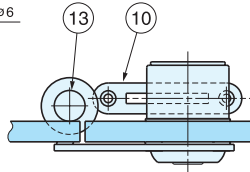
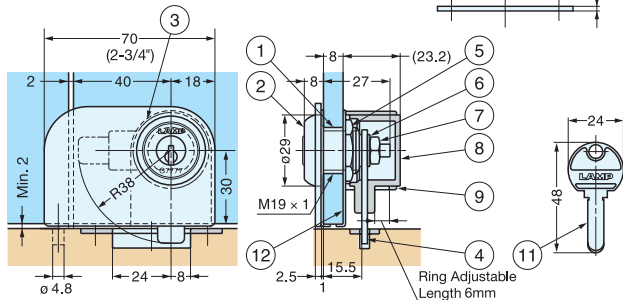
# GLASS DOOR CAM LOCK FOR DOUBLE DOORS



## 1310GLW



- Dimple key lock series ideal for showcase application.
- High security reversible key. (3 keys supplied)
- Key acts as a knob and can only be removed when locked.
- 1 million key changes available; please specify keyed alike or differently when ordering.
- Master key system available at surcharge. (Max. 2,520 key changes per master key.)



Cut Out Dimensions

Item No.	Glass Thickness (mm)	Weight (g)	Box (pcs)	Carton (pcs)
1310GLW	5~8 (3/16"~5/16")	206	12	60

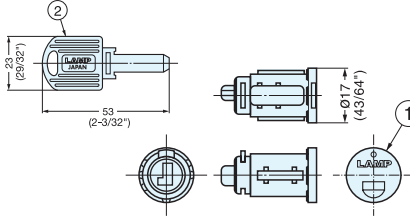
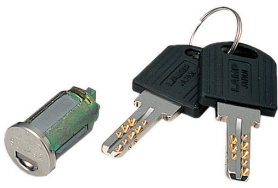
No.	Part Name	Material	Finish	
			SN	CR
①	Body	Brass	Nickel	
②	Ring			
③	Front Plate	304 Stainless Steel	Satin	
④	Cam			Plain
⑤	Hex Nut	Steel		Silver
⑥	Washer			Nickel
⑦	Hex Nut			Silver
⑧	Case Cover	Polypropylene		Black
⑨	Ring			
⑩	Counterplate	304 Stainless Steel	Polished	
⑪	Key	Brass		Nickel
⑫	Backplate	304 Stainless Steel	Polished	
⑬	Stopper	Polyamide		Brown



# INTERCHANGEABLE CYLINDER KEY



## MD-N1



- Cylinder and key set for 1830, 6830 and 1330GL locks.
- Interchangeable feature allows easy cylinder replacement in case key is lost.
- Up to 7,800 key changes available. (750 key changes per master key.)
- Keyed Alike (KA) or Keyed Different (KD) available. Please specify when ordering.

Item No.	Component	Weight (g)	Box (pcs)	Carton (pcs)	Component	Material	Finish
MD-N1	Cylinder	21	12	60	Cylinder	304 Stainless Steel/Zinc Alloy	Polished/Yellow Zinc Chromate
	Key	12			Key	Brass/ABS	Nickel/Black

# INTERCHANGEABLE CYLINDER KEY



## MD-MK1, K1



- MD-MK1 - Master key for easy key management.
- MD-K1 - Key to remove existing cylinder only. Does NOT open lock.

Item No.	Key Type	Weight (g)	Box (pcs)	Carton (pcs)	Material	Finish/Color
MD-MK1	Master Key	12	1	10	Brass/ABS	Nickel/Black
MD-K1	Change Key					

# GLASS DOOR CAM LOCK



## 1330GL-MK

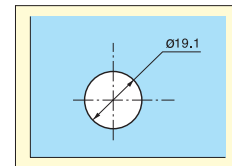
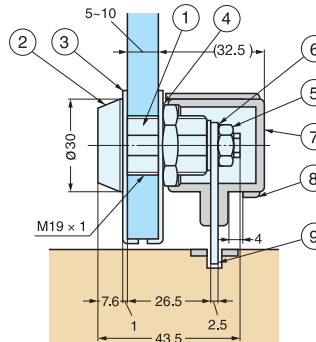
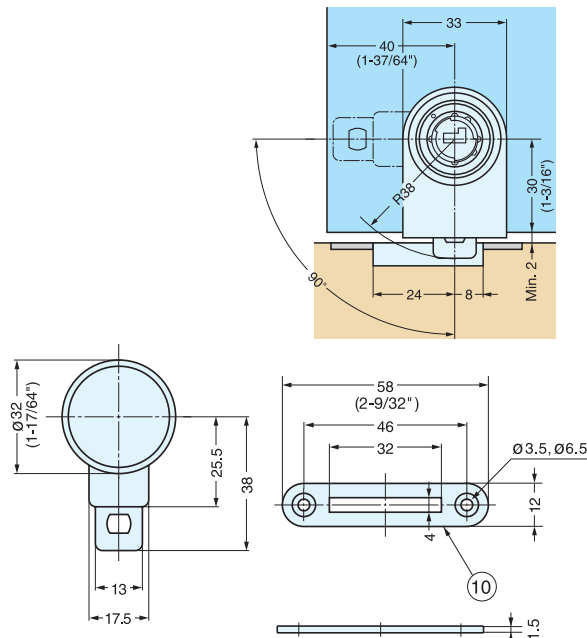


1330GL-MK/GA

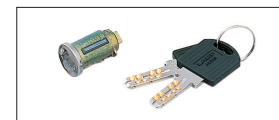


1330GL-MK/DN

- Glass door cam lock with interchangeable cylinder. (Please see page P.620 for details.)
- Cylinder can be changed by using change key MD-K1.
- Easy to replace cylinder in case key is lost. Note: Cylinder housing only. Interchangeable Cylinder MD-N1 must be ordered for a complete assembly.
- Up to 7,800 key changes available. (750 key changes per master key.)



Cut Out Dimension

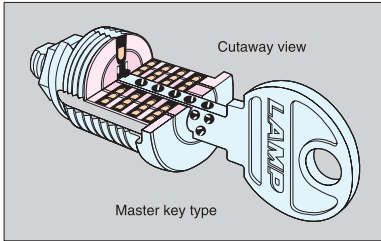


Master Key, Interchangeable Cylinder, Interchangeable Cylinder Key are sold separately.

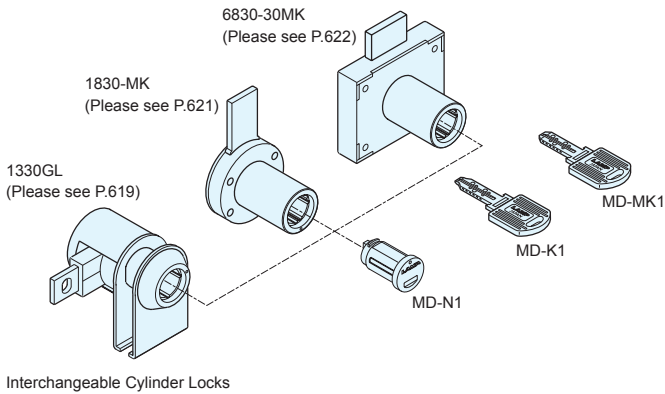
No.	Part Name	Material	Finish
①	Cylinder Housing	Zinc Alloy	Satin Nickel (DN)/Gold (GA)
②	Front Ring	Brass	
③	Front Plate	304 Stainless Steel	Satin Nickel (DN)/Gold
④	Large Hex Nut	Steel	Yellow Zinc Chromate
⑤	Small Hex Nut		Chromate
⑥	Washer	Polypropylene	Black
⑦	Case Cover		Black
⑧	Ring	304 Stainless Steel	Polished
⑨	Cam		
⑩	Counterplate		

Item No.	Glass Thickness (mm)	Finish	Weight (g)	Box (pcs)	Carton (pcs)
1330GL-MK/GA	5~10	Gold (GA)	130	12	60
1330GL-MK/DN	(3/16"~3/8")	Satin Nickel (DN)			

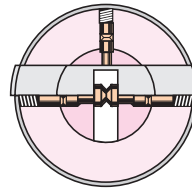
# MILLION LOCK SERIES



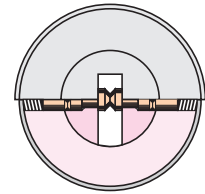
Interchangeable Cylinder + Million Lock = Complete Assembly  
 Example: MD-N1 + 6830-30MK/DN



- Dimple key lock series.
- Cylinder changeable type.
  - One cylinder can be used on 3 different types of locks. (1830, 6830 and 1330GL)
  - Using with master key system allows easy key management.



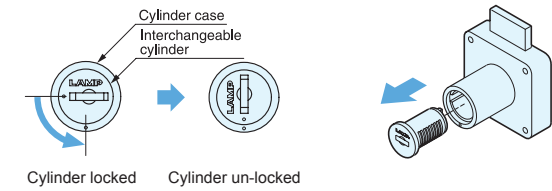
Master key type



Standard key type

### To remove the cylinder:

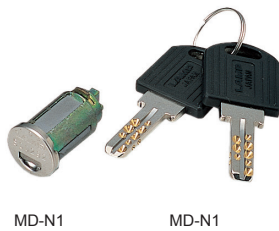
Turn cylinder by using cylinder change key (optional).  
 Match dots on cylinder and case.  
 Pull key to detach.



## INTERCHANGEABLE CYLINDER KEY

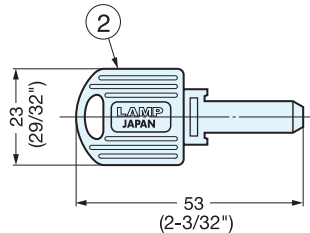


### MD-N1

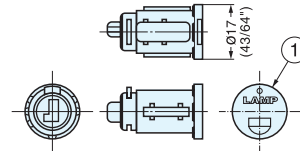


MD-N1

MD-N1



- Cylinder and key set for 1830, 6830 and 1330GL locks.
- Interchangeable feature allows easy cylinder replacement in case key is lost.
- Up to 7,800 key changes available. (750 key changes per master key.)
- Keyed Alike (KA) or Keyed Different (KD) available. Please specify when ordering.



Item No.	Component	Weight (g)	Box (pcs)	Carton (pcs)	No.	Component	Material	Finish
MD-N1	Cylinder	21	12	60	①	Interchangeable Cylinder	304 Stainless Steel/Zinc Alloy	Polished/Yellow Zinc Chromate
	Key	12			②	Key	Brass/ABS	Nickel/Black

## INTERCHANGEABLE CYLINDER KEY



### MD-MK1, K1



- MD-MK1 - Master key for easy key management.
- MD-K1 - Key to remove existing cylinder only. Does NOT open lock.

Item No.	Key Type	Weight (g)	Box (pcs)	Carton (pcs)	Material	Finish/Color
MD-MK1	Master Key	12	1	10	Brass/ABS	Nickel/Black
MD-K1	Change Key					

# DRAWER LOCK (HOUSING)



1830-MK

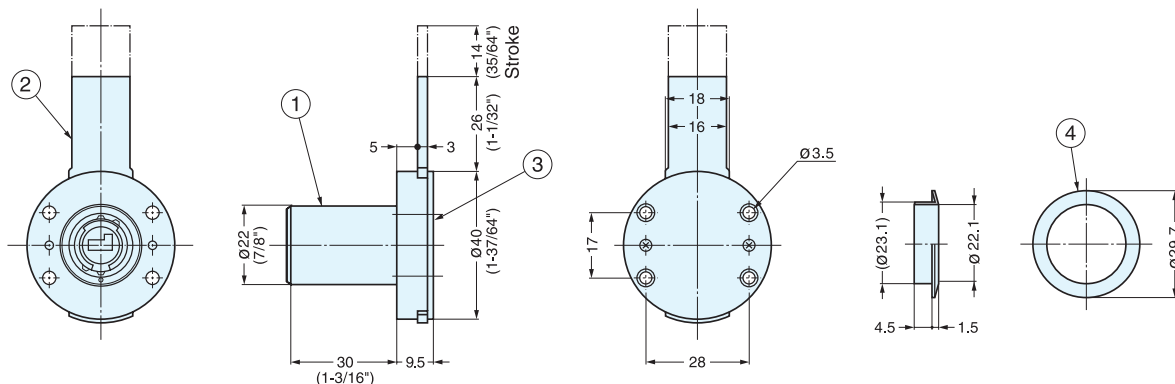
LOCKS



- Interchangeable Cylinder Lock
- Cylinder can be changed by using change key MD-K1. Easy to replace cylinder in case key is lost.
- Up to 7,800 key changes available. (750 key changes per master key.)
- Cylinder housing Diameter: 22 mm (7/8")
- \* Cylinder housing only. Interchangeable Cylinder MD-N1 must be ordered for a complete assembly.



Master Key, Interchangeable Cylinder & Key are sold separately. See P.622



No.	Part Name	Material	Finish
①	Cylinder Housing	Zinc Alloy	Satin Nickel (DN)/Gold (GA)
②	Dead Bolt	304 Stainless Steel	Polished
③	Cover		
④	Ring	Brass	Satin Nickel (DN)/Gold (GA)

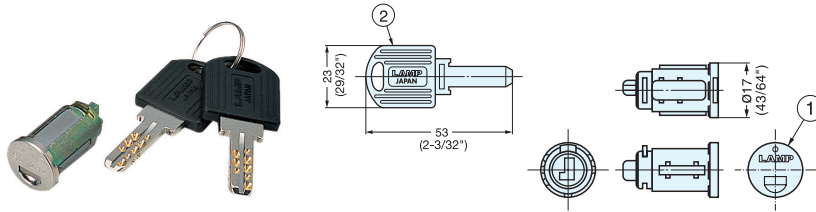
Item No.	Door Thickness	Finish	Weight (g)	Box (pcs)	Carton (pcs)
1830-MK/GA	30 (1-3/16")	Gold (GA)/Clear	185	12	60
1830-MK/DN	30 (1-3/16")	Satin Nickel (DN)			

DRAWER LOCK

# INTERCHANGEABLE CYLINDER & KEY



## MD-N1



- Cylinder and key set for 1830, 6830 and 1330GL locks.
- Interchangeable feature allows easy cylinder replacement in case key is lost.
- Up to 7,800 key changes available. (750 key changes per master key.)
- Keyed Alike (KA) or Keyed Different (KD) available. Please specify when ordering.

Item No.	Component	Weight (g)	Box (pcs)	Carton (pcs)	Component	Material	Finish
MD-N1	Cylinder	21	12	60	Cylinder	304 Stainless Steel/Zinc Alloy	Polished/Yellow Zinc Chromate
	Key	12			Key	Brass/ABS	Nickel/Black

# INTERCHANGEABLE CYLINDER KEY



## MD-MK1, K1



- MD-MK1 - Master key for easy key management.
- MD-K1 - Key to remove existing cylinder only. Does NOT open lock.

Item No.	Key Type	Weight (g)	Box (pcs)	Carton (pcs)	Material	Finish/Color
MD-MK1	Master Key	12	1	10	Brass/ABS	Nickel/Black
MD-K1	Change Key					

# CABINET LOCK (HOUSING)



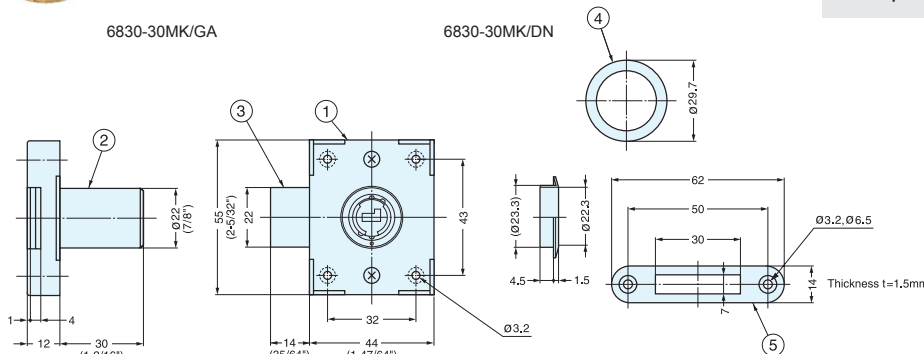
## 6830-30MK



6830-30MK/GA

6830-30MK/DN

- Cylinder lock with stainless steel body.
- Interchangeable Cylinder Lock
- Cylinder can be changed by using change key MD-K1. Easy to replace cylinder in case key is lost.
- Up to 7,800 key changes available. (750 key changes per master key.)
- Cylinder housing Diameter: 22 mm (7/8")
- 2 mm (5/64") plastic distance plate 6810-SP available for various door thickness. See P.581
- \* Cylinder housing only. Interchangeable Cylinder MD-N1 must be ordered for a complete assembly.



Master Key, Interchangeable Cylinder & Key are sold separately. See P.619

Item No.	Door Thickness	Finish	Weight (g)	Box (pcs)	Carton (pcs)
6830-30MK/GA	30 (1-3/16")	Gold/Clear	180	12	60
6830-30MK/DN	30 (1-3/16")	Nickel			

No.	Part Name	Material	Finish
①	Body	304 Stainless Steel	Satin
②	Cylinder Housing	Zinc Alloy	Satin Nickel (DN)/Gold (GA)
③	Dead Bolt	304 Stainless Steel	-
④	Ring	Brass	Satin Nickel (DN)/Gold (GA)
⑤	Counterplate	304 Stainless Steel	Satin

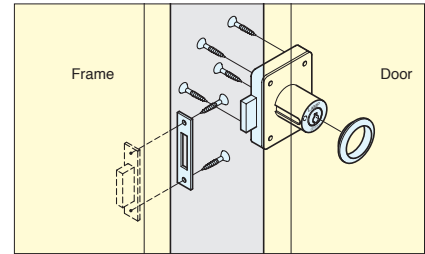
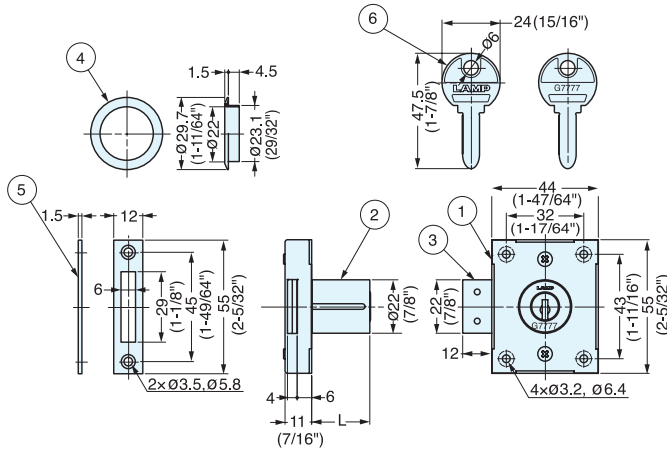
# CABINET LOCK



7810



- For use on right-handed doors (Lock for drawer application available by special order).
- High-security Million Lock dimple key; keys are reversible. Turn the key 360° to lock or unlock.
- Brass cylinder lock with stainless steel body.
- One million key changes available; Please specify keyed alike or differently when ordering.
- Includes screws.
- Available in Satin Nickel (NI), Chrome (CR) or Black (BL) finish.
- Can be used with spacer 6810-SP, sold separately. See below.
- Master key system available at a surcharge (Max. 2,520 key changes per master key.)

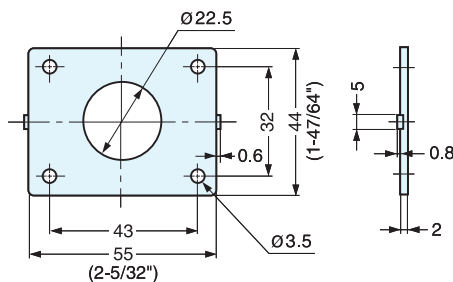


No.	Part Name	Material	Finish
①	Body	304 Stainless Steel	Satin
②	Cylinder Housing	Brass	Satin Nickel(NI) / Chrome(CR) / Black Chrome (BL)
③	Dead Bolt	304 Stainless Steel	Plain
④	Ring	Brass	Satin Nickel(NI) / Chrome(CR) / Black Chrome (BL)
⑤	Counterplate	304 Stainless Steel	Satin / Black Chrome (BL)
⑥	Key	Brass	Nickel

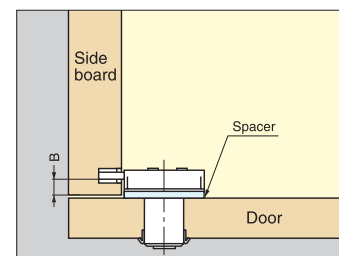
Item No.	L	Door Thickness (mm)	Weight (g)	Box (pcs)	Carton (pcs)
7810-24NI	24 ( 15/16" )	22~24 ( 7/8"~15/16" )	190	12	60
7810-24CR					
7810-24BL					
7810-30NI	30 ( 1-3/16" )	28~30 ( 1-3/32"~1-3/16" )	210		
7810-30CR					
7810-30BL					
7810-36NI	36 ( 1-7/16" )	34~36 ( 1-3/18"~1-7/16" )	225		
7810-36CR					
7810-36BL					

# SPACER

6810-SP



- Distance spacer for 3810S, 6830, 7810, and 8810-24 series locks.
- Use when additional distance on dimension B is required.
- Thickness: 2mm (5/64")
- Multiple spacers can be used if needed.



Item No.	Thickness	Weight (g)	Box (pcs)	Carton (pcs)
6810-SP	2	4.5	150	1500

# CABINET LOCK (W/BUILT-IN KEY CHANGE)



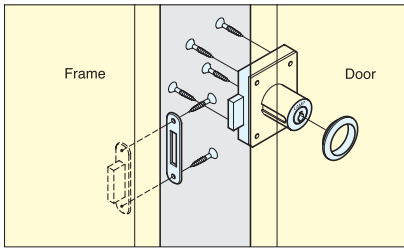
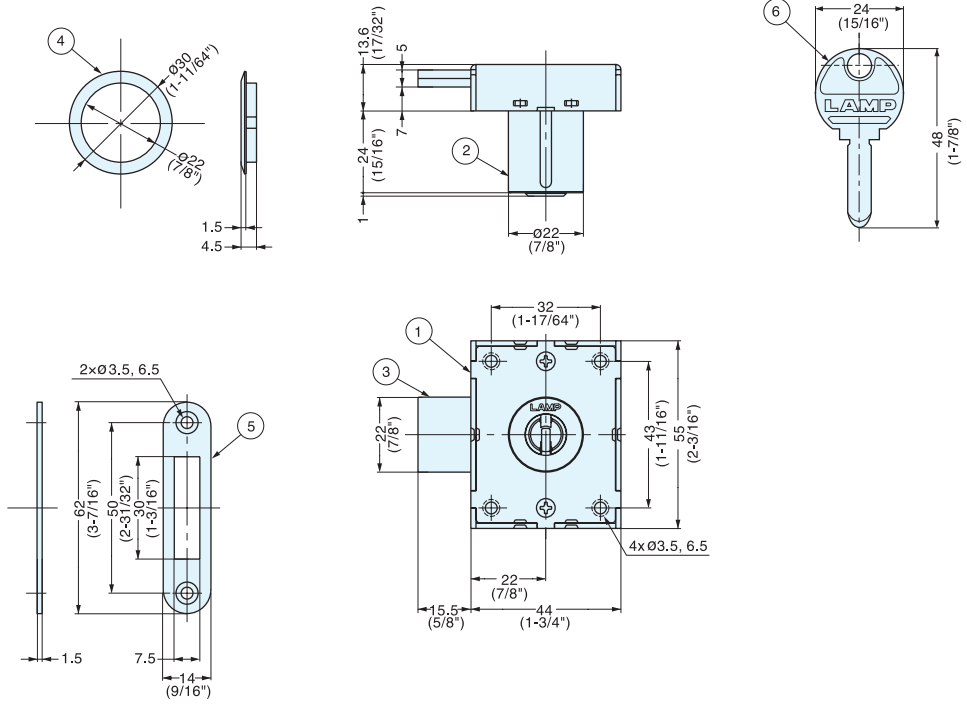
**8810-24**

LOCKS

CABINET LOCKS (W/BUILT-IN KEY CHANGE)



- Lock's key number can be changed in place without removing the lock.
- Cost effective hardware where retrieving keys can be problematic, such as lockers, laundry rooms, etc.
- Change each lock's key number up to 2 times.
- High security dimple key.
- Up to 3 million key changes available. (3,000 key changes per master key.)
- Please specify keyed alike or differently when ordering.
- Master key available at a surcharge.
- Includes screws and original keys.
- 36 mm cylinder models available as special order items.



**How it works:**

- Each lock includes keys for the original key number only. (Change keys sold separately)
- To change the lock's key number, enter the new key and rotate 360°.
- After changing the lock's key number, the previously used key cannot open the lock.
- 1st and 2nd change keys are sold separately.

**Master Key System:**

- Master keys for each key number change are available. (Sold separately)
- Master keys must be also changed after the lock's key number is changed.
- If only some of the locks' key numbers in a master key system are changed, multiple master keys for that portion should still be kept.

No.	Part Name	Material	Finish
①	Body	430 Stainless Steel	Satin
②	Cylinder Housing	Brass	Satin Nickel
③	Dead Bolt	430 Stainless Steel	Plain
④	Ring	Brass	Nickel
⑤	Counterplate	430 Stainless Steel	Satin
⑥	Key	Nickel Silver	Polished

Item No.	Door Thickness	Weight (g)	Box (pcs)	Carton (pcs)
8810-24	22~24	190	12	60
8810-24MK	(7/8" ~ 15/16")			

# CABINET LOCK



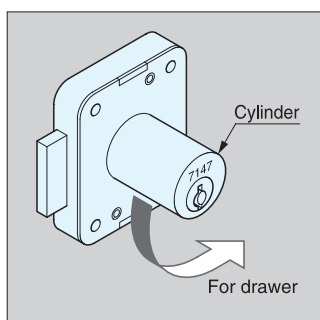
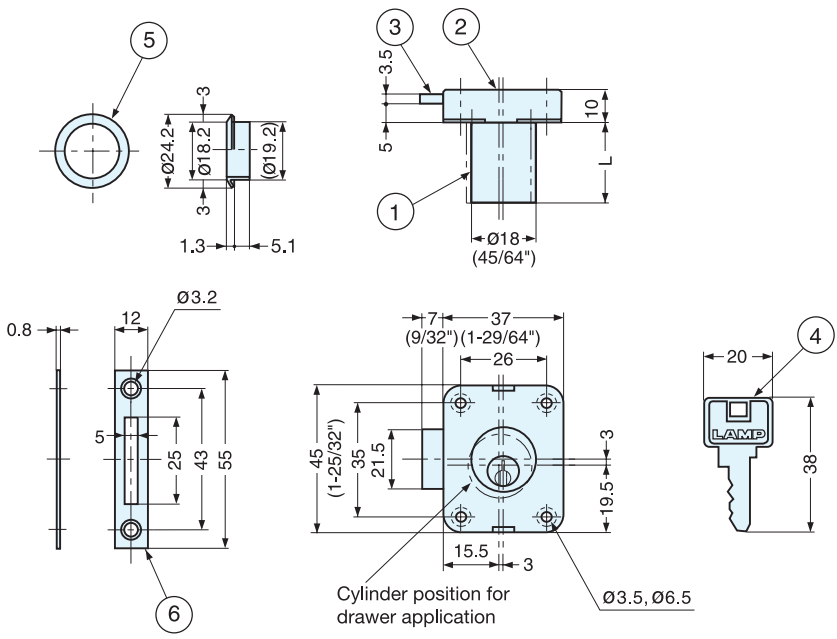
2100

LOCKS

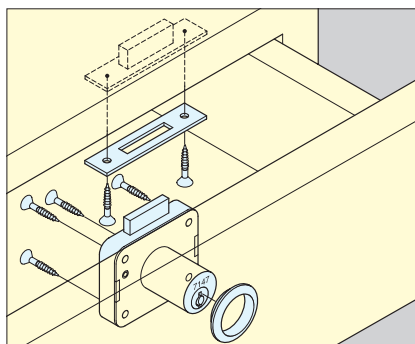
CABINET LOCKS



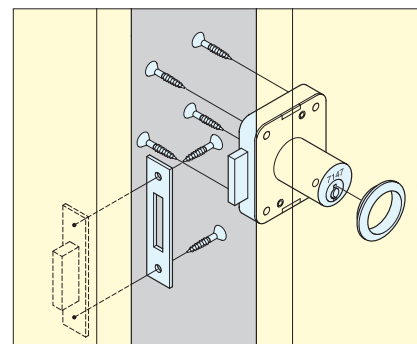
- Brass cylinder lock.
- Cylinder rotates for either drawer or cabinet door application.
- Cylinder Diameter: 18 mm (11/16")
- 12 key changes available; Please specify keyed alike or differently when ordering.
- Master key NOT available.
- Keys can be shared with other 2100 series locks.



To change lock for drawer application: turn lock cylinder 90° counterclockwise.



Installation for drawer



Installation for right-handed door

No.	Part Name	Material	Finish
①	Cylinder Housing	Brass	Nickel
②	Body		
③	Dead Bolt		
④	Key		
⑤	Ring	304 Stainless Steel	Plain
⑥	Counterplate		

Item No.	L	Door Thickness	Weight (g)	Box (pcs)	Carton (pcs)
2100-24	24 ( 15/16" )	24 ( 15/16" )	116	12	120
2100-30	30 ( 1-3/16" )	30 ( 1-3/16" )	125		

# CABINET LOCK (W/INDICATOR)



2200

LOCKS

CABINET LOCKS

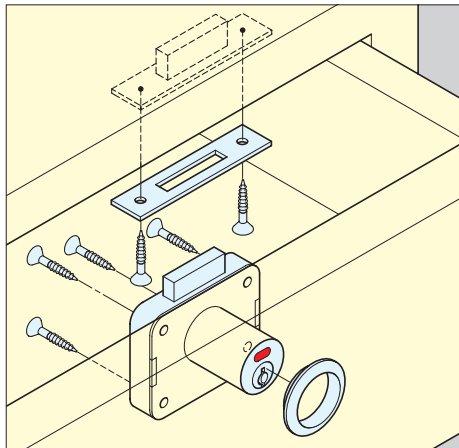
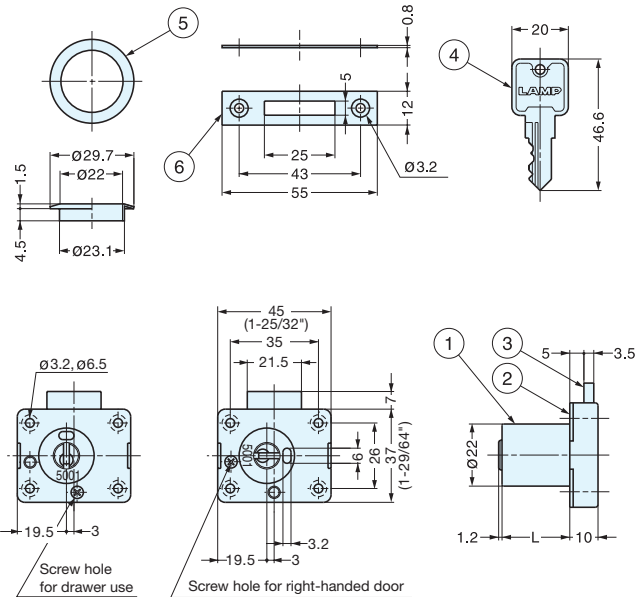


TSSP-W (White)

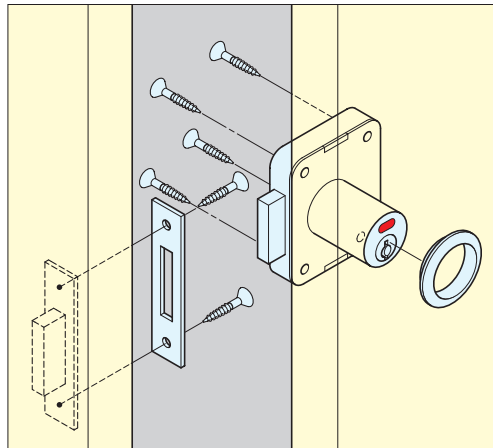
TSSP-B (Black)

Spacer sold separately.

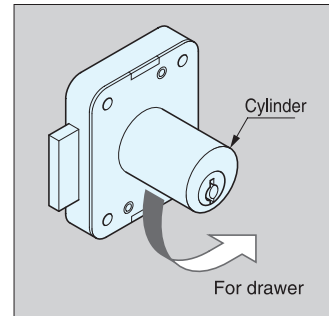
- Cylinder lock with locked/unlocked indicator.
- Indicator: Unlocked - Blue, Locked - Red
- Cylinder rotates for either drawer or cabinet door application.
- Cylinder Diameter: 22 mm (7/8")
- 12 key changes available.
- Keyed Alike (KA) or Keyed Different (KD) available; Please specify when ordering.
- Master key available at surcharge. (2200-24MK, 2200-30MK)
- Keys can be shared with other 2200 series locks.
- 4 mm (5/32") plastic distance plate TSSP available for various door thickness. See P.629



Installation for drawer



Installation for right-handed door



To change lock for drawer application: turn lock cylinder 90° counterclockwise and install fixing screw.

No.	Part Name	Material	Finish
①	Cylinder Housing	Zinc Alloy	Nickel
②	Body	Brass	
③	Dead Bolt		
④	Key		
⑤	Ring	304 Stainless Steel	Plain
⑥	Counterplate		

Item No.	L	Door Thickness	Weight (g)	Box (pcs)	Carton (pcs)
2200-24	24 ( 15/16" )	24 ( 15/16" )	115	12	120
2200-30	30 ( 1-3/16" )	30 ( 1-3/16" )	141		



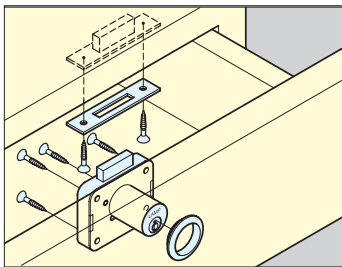
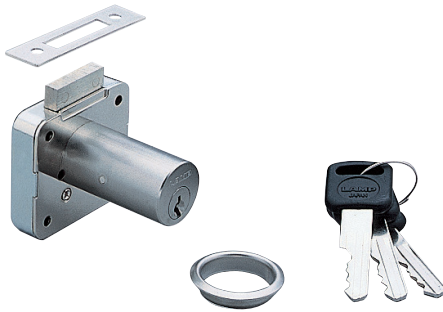
# CABINET LOCK



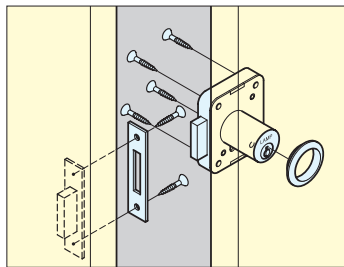
2550

LOCKS

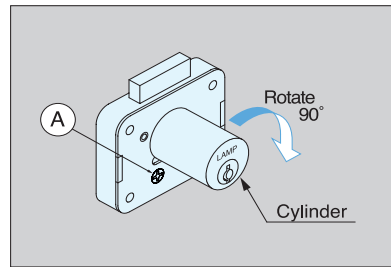
- Cabinet lock with 90° rotating cylinder for right-handed doors (see diagram below).
- Up to 300 key changes available; Please specify keyed alike or differently when ordering. (80 key changes per master key.)
- Includes screws.
- Master key available as a special order at a surcharge.



Installation for drawer

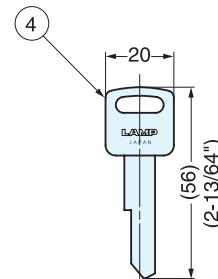
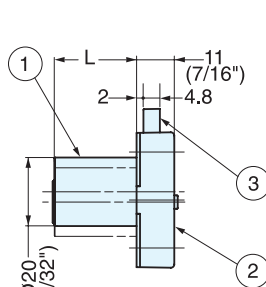
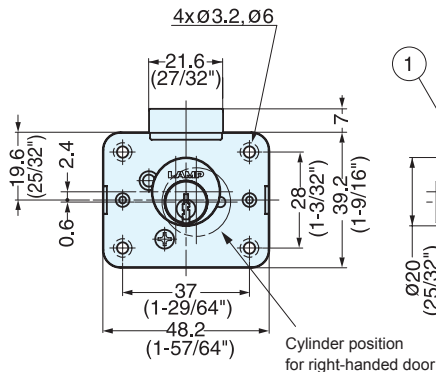
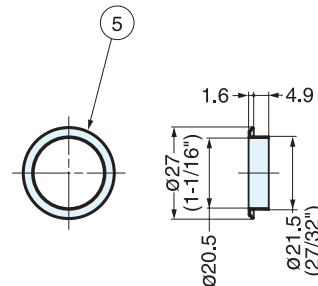
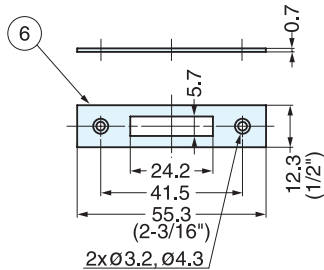


Installation for right-handed door



To rotate cylinder, loosen screw ⑥ and rotate cylinder 90° clockwise and tighten it afterwards.

CABINET LOCKS



No.	Part Name	Material	Finish
①	Cylinder Housing	Brass	Nickel
②	Body	Zinc Alloy	Yellow Zinc Chromate
③	Dead Bolt		Nickel
④	Key	Brass	Nickel
⑤	Ring		Satin Nickel
⑥	Counterplate		Nickel

Item No.	L	Door Thickness (mm)	Weight (g)	Box (pcs)	Carton (pcs)
2550-24-DN	24 ( 15/16" )	24 ( 15/16" )	140	12	60
2550-24-DNMK					80
2550-36-DN	36 ( 1-7/16" )	36 ( 1-7/16" )	170		60
2550-36-DNMK					80

# CABINET LOCK

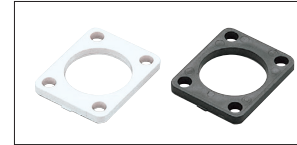
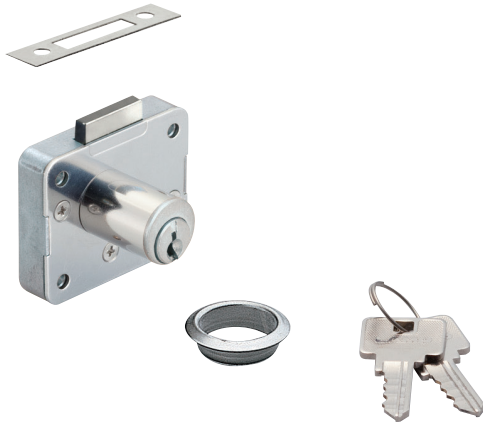


2650

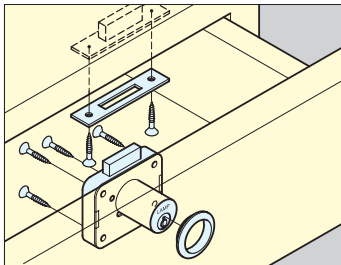
LOCKS

CABINET LOCKS

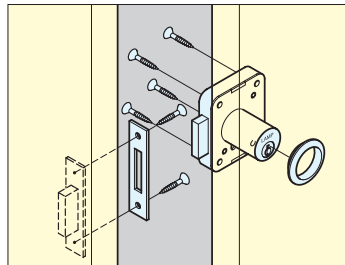
- Cabinet lock with 90° rotating cylinder for right-handed doors (see diagram below).
- Up to 48 key changes available for 2650-16; up to 96 key changes available for each of 2650-22 and 2650-30.
- Please specify keyed alike or differently when ordering.
- Can be used with spacer TSSP (P.629), sold separately.



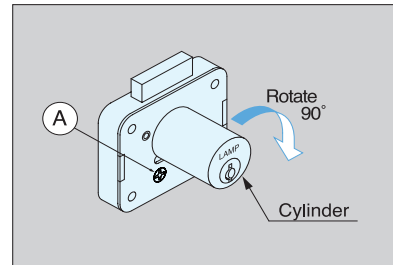
TSSP SERIES (Sold separately)



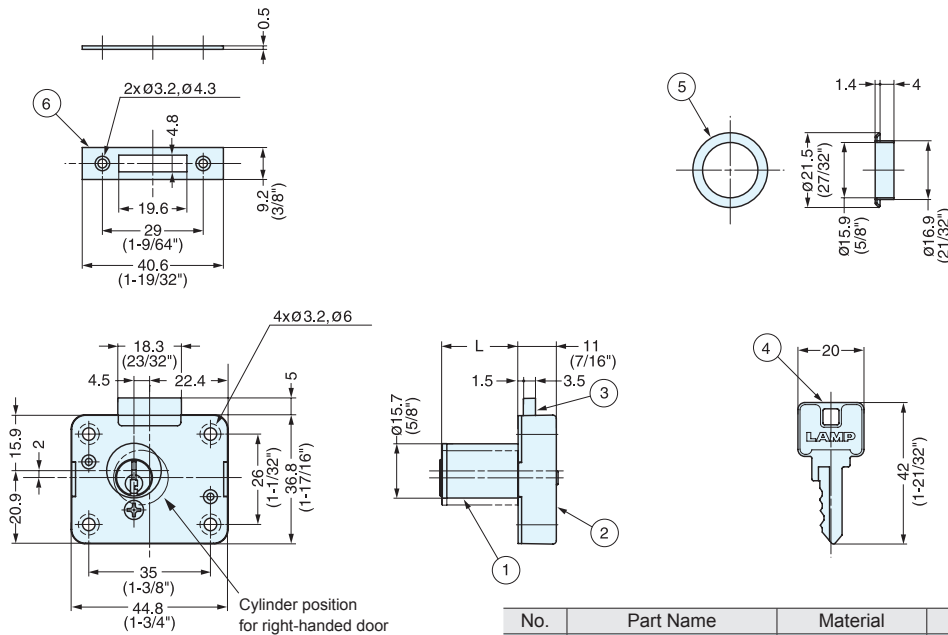
Installation for drawer



Installation for right-handed door



To rotate cylinder, loosen screw ⑥ and rotate cylinder 90° clockwise and tighten it afterwards.



No.	Part Name	Material	Finish
①	Cylinder Housing	Zinc Alloy	Satin Nickel
②	Body		Yellow Zinc Chromate
③	Dead Bolt		Nickel
④	Key	Brass	Nickel
⑤	Ring		Satin Nickel
⑥	Counterplate		Plain

Item No.	L	Door Thickness	Weight (g)	Box (pcs)	Carton (pcs)
2650-16-DN	16 ( 5/8" )	16 ( 5/8" )	81.5	12	240
2650-22-DN	22 ( 7/8" )	22 ( 7/8" )	89.5		
2650-30-DN	30 ( 1-3/16" )	30 ( 1-3/16" )	98.0		

# CABINET LOCK



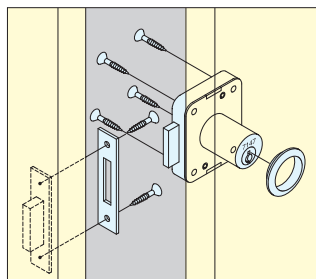
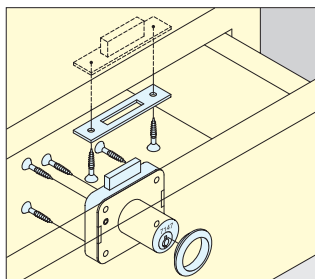
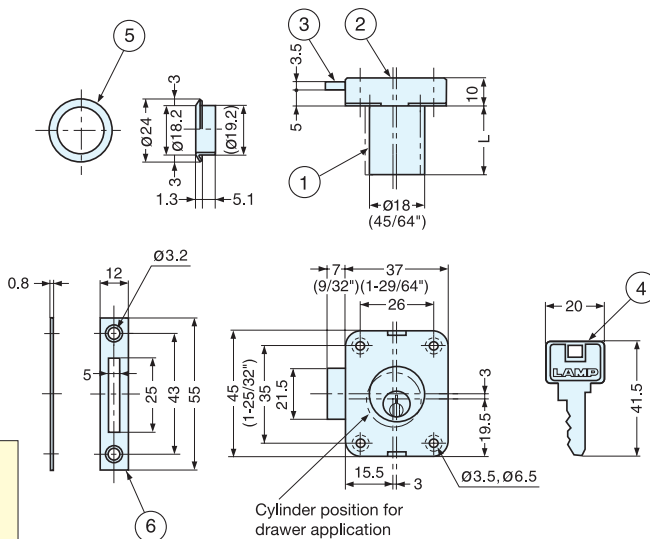
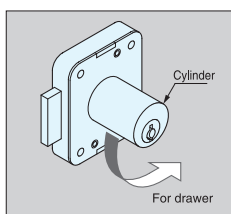
3310



- Brass cylinder lock.
- Cylinder rotates for either drawer or cabinet door application.
- Cylinder Diameter: 18 mm (11/16")
- 156 key changes available; Please specify keyed alike or differently when ordering.
- Master key NOT available.
- Keys can be shared with other 3300 series locks.
- 4 mm (5/32") plastic distance plate TSSP available for various door thickness. See below.

LOCKS

CABINET LOCKS



No.	Part Name	Material	Finish
①	Cylinder Housing	Brass	Nickel
②	Body		
③	Dead Bolt		
④	Key		
⑤	Ring	304 Stainless Steel	-
⑥	Counterplate		

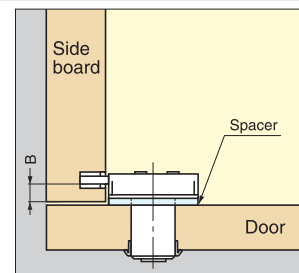
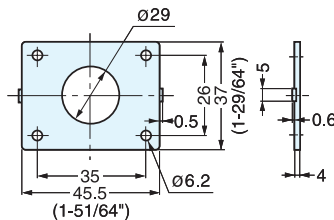
Item No.	L	Door Thickness	Weight (g)	Box (pcs)	Carton (pcs)
3310-24	24 (15/16")	24 (15/16")	116	12	120
3310-30	30 (1-3/16")	30 (1-3/16")	125		

# SPACER

# TSSP



- Spacer for 2100, 2200, 2650, 3310, and 3320 locks.
- Use when additional distance on dimension B is required.
- Thickness: 4mm (5/32")
- Multiple spacers can be used if needed.



Item No.	Weight (g)	Box (pcs)	Carton (pcs)	Material	Color	
TSSP-W	TSSP-B	14	150	1500	ABS	White/Black

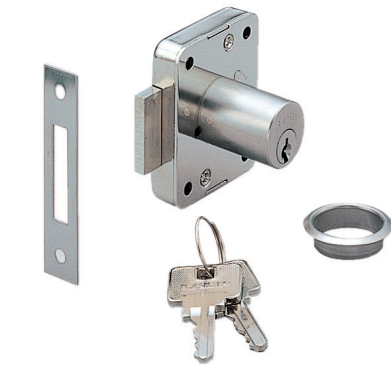
# CABINET LOCK



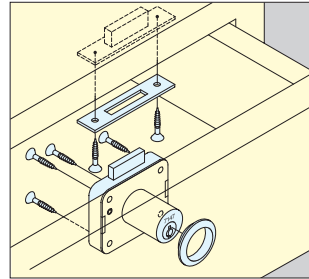
3320

LOCKS

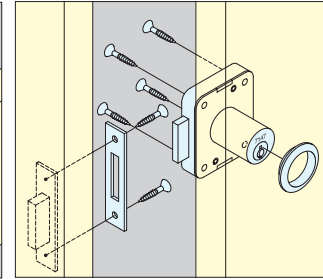
CABINET LOCKS



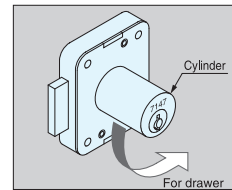
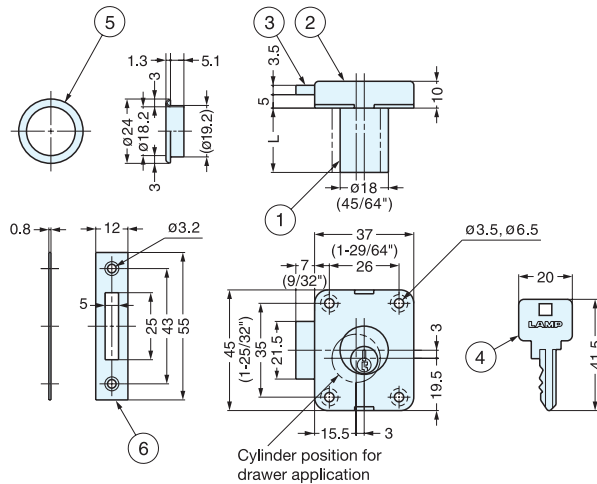
- Brass cylinder lock.
- Cylinder rotates for either drawer or cabinet door application.
- Cylinder Diameter: 18 mm (11/16")
- 156 key changes available; Please specify keyed alike or differently when ordering.
- Master key NOT available.
- Key is not removable in unlocked position, can be used as a knob.
- Keys can be shared with other 3300 series locks.
- 4 mm (5/32") plastic distance plate TSSP available for various door thickness.



Installation for drawer



Installation for right-handed door



No.	Part Name	Material	Finish
①	Cylinder Housing	Brass	Nickel
②	Body		
③	Dead Bolt		
④	Key		
⑤	Ring	304 Stainless Steel	Plain
⑥	Counterplate		

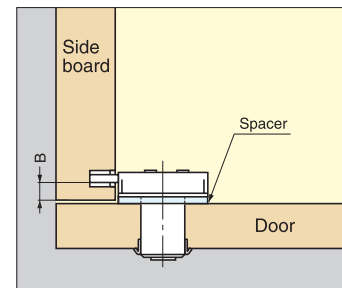
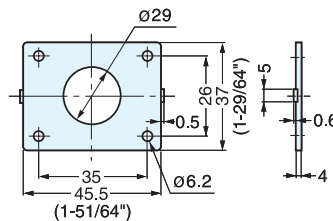
Item No.	L	Door Thickness	Weight (g)	Box (pcs)	Carton (pcs)
3320-24	24 ( 15/16" )	24 ( 15/16" )	123	12	120
3320-30	30 ( 1-3/16" )	30 ( 1-3/16" )	135		

# SPACER

# TSSP



- Spacer for 2100, 2200, 2650, 3310 and 3320 locks.
- Use when additional distance on dimension B required.
- Thickness: 4 mm (5/32").
- Multiple spacers can be used if needed.



Item No.	Weight (g)	Box (pcs)	Carton (pcs)
TSSP-W	TSSP-B	14	150

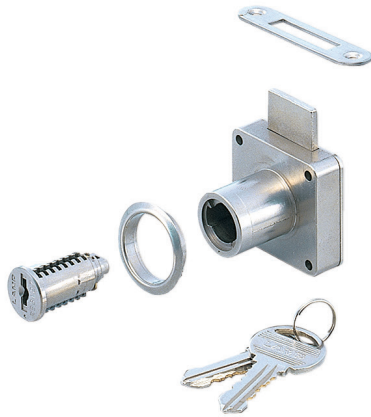
1-800-562-5267  
(U.S.A. Only)

Material	Color
ABS	White/Black

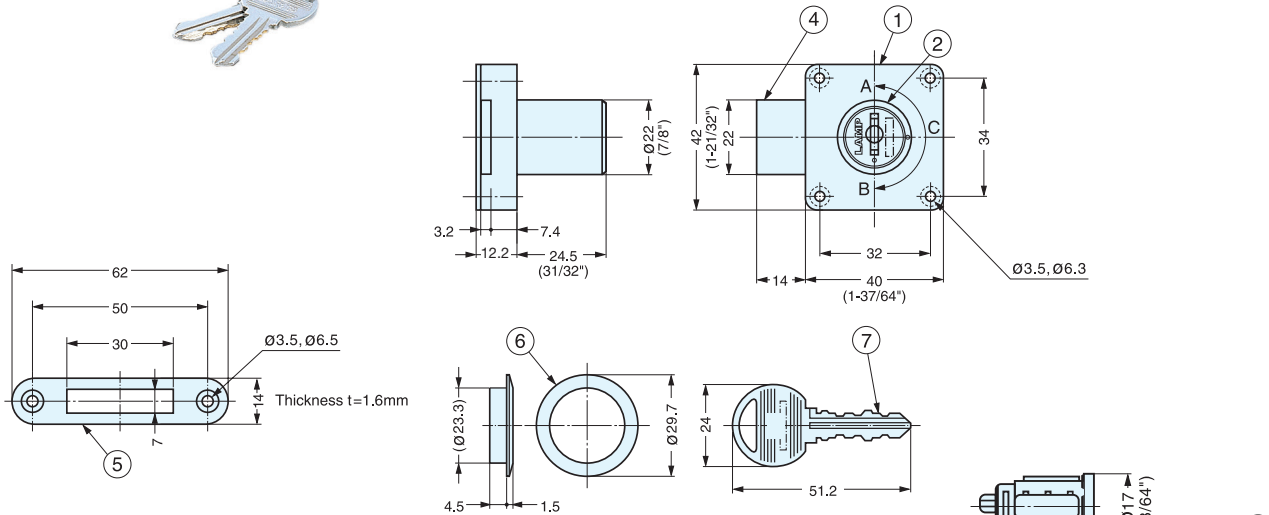
# CABINET LOCK



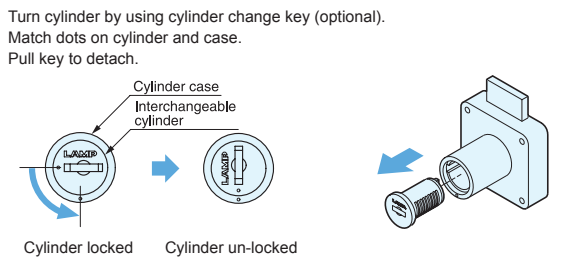
# 5830-24MK



- Interchangeable Cylinder Lock.
- Inner cylinder can be replaced, ideal for applications where keys are often lost, and key numbers need to be changed for security.
- Long dead bolt.
- Lock housing, cylinder and 2 keys supplied per set.
- Cylinder housing Diameter: 22 mm (7/8")
- Maximum 3,120 key changes available. (780 per master key.)
- Master Key, Cylinder Change Key and Cylinder for replacement sold separately.  
 Master Key - 5830-MK1  
 Cylinder Change Key - 5830-K1  
 Replacement Cylinder - 5830-N1



### To remove the cylinder:

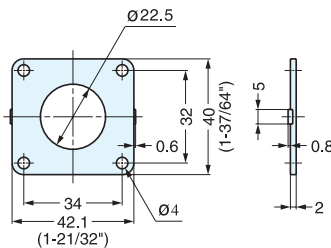
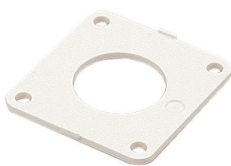


No.	Part Name	Material	Finish
①	Body	Zinc Alloy	Nickel
②	Cylinder Housing	Steel	
③	Interchangeable Cylinder	Zinc Alloy	
④	Dead Bolt	Steel	
⑤	Counterplate		
⑥	Ring	Brass	
⑦	Key		

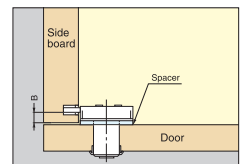
Item No.	Door Thickness	Weight (g)	Box (pcs)	Carton (pcs)
5830-24MK	24 (15/16")	155	12	60

# SPACER

# 5830-SP



- Spacer for 5830-24MK.
- Use when additional distance on dimension B required.
- Thickness: 2 mm (5/64")
- Multiple spacers can be used if needed.



Item No.	Weight (g)	Box (pcs)	Carton (pcs)	Material	Color
5830-SP	14	25	250	ABS	White

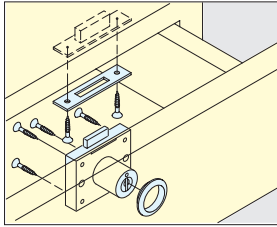
# CABINET LOCK (W/INDICATOR)



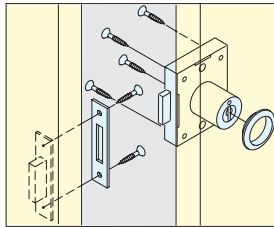
**2200QL**



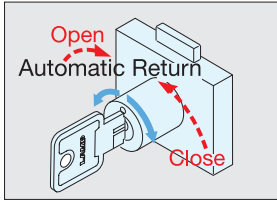
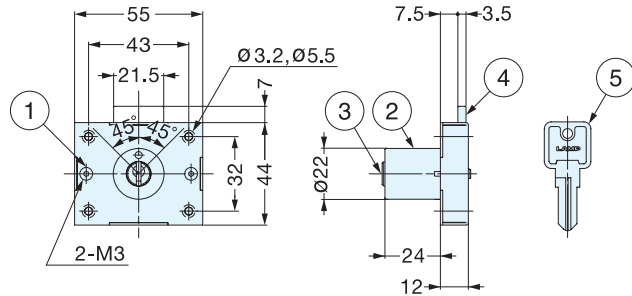
- Only 1/8 turn is needed to unlock/lock the door.
- Key automatically returns to original position, making it easy to remove the key.
- With indicator.
- 300 key changes available; Please specify keyed alike or differently when ordering.
- Master key type available at surcharge. (Maximum 170 key changes per master key)
- Keys can be shared with other 2200 series locks.



Installation for drawer



Installation for right-handed door  
(This application is available with special ordered lock.)



Operation

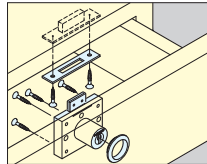
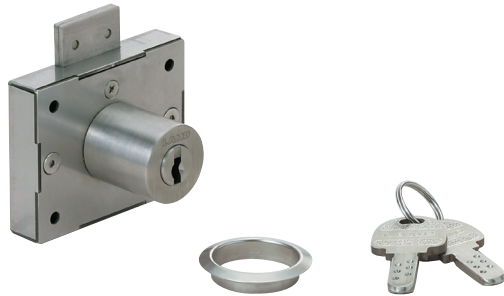
Item No.	Door Thickness	Weight (g)	Box (pcs)	Carton (pcs)
2200QL-24	24 (15/16")	200	12	60

No.	Part Name	Material	Finish
①	Body	304 Stainless Steel	Plain
②	Cylinder (Outer)	Brass	Satin Nickel
③	Cylinder (Inner)	Zinc Alloy	
④	Dead Bolt		Nickel
⑤	Key	Brass	

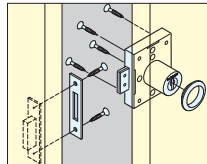
# STAINLESS STEEL CABINET LOCK



**3810S**

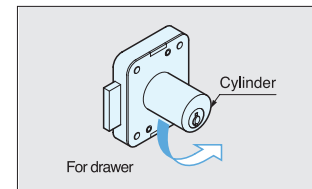
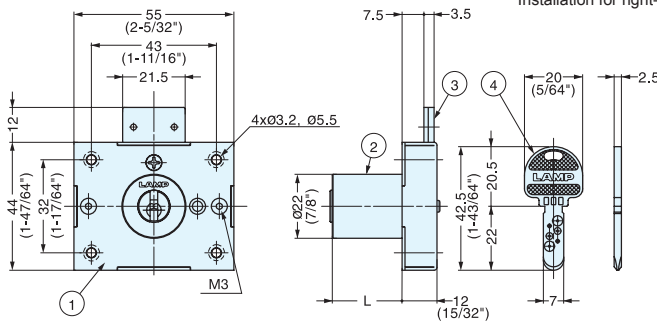


Installation for drawer



Installation for right-handed door

- Components made of 304 stainless steel for corrosion resistance.
- Durable key made of corrosion/abrasion resistant nickel. Key is reversible.
- Cylinder rotates for either drawer or cabinet door application.
- Up to 300 key changes available. Please specify keyed alike or differently when ordering.
- Master key option available as a special order at a surcharge.
- Can be used with spacer 6810-SP (P.623), sold separately.



To change lock for drawer application, turn cylinder 90° counterclockwise and install fixing screw.

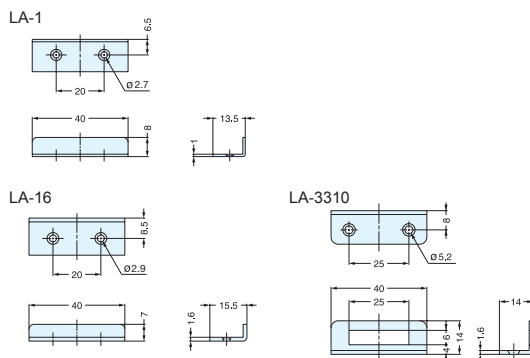
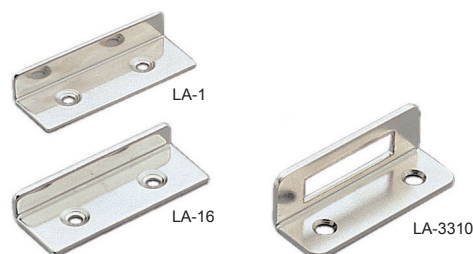
Item No.	L	Door Thickness (mm)	Weight (g)	Box (pcs)	Carton (pcs)
3810S-24	24 (15/16")	24 (15/16")	180	12	60
3810S-30	30 (1-3/16")	30 (1-3/16")	195		

No.	Part Name	Material	Finish
①	Body*	304 Stainless Steel	Plain
②	Cylinder Housing		Satin
③	Dead Bolt		Plain
④	Key	Nickel Silver	

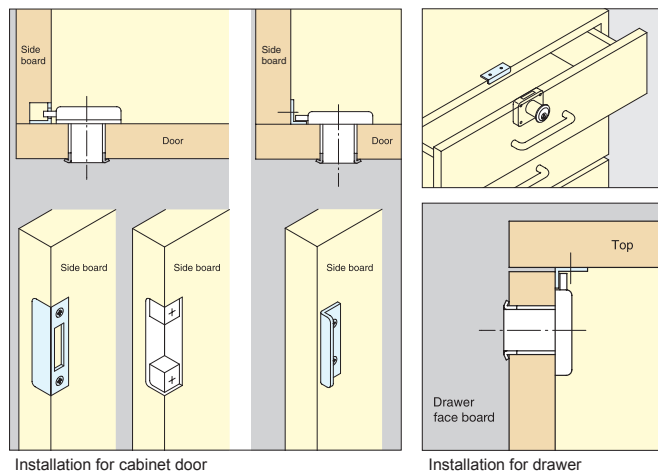
\*Cylinder pins are made of brass.

# STRIKE

# LA SERIES



- Optional strike plates for applications where dead bolt is close to the cabinet edge, or for inset applications.
- LA-3310 is for double door application of 3310 series and 3320 series.

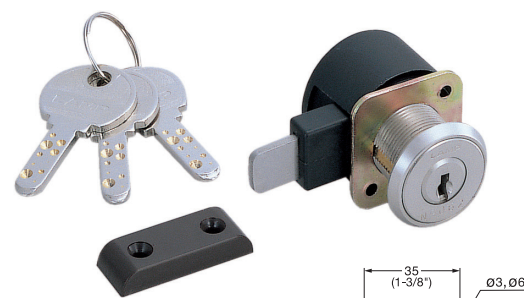


Item No.	Weight (g)	Box (pcs)	Carton (pcs)	Material	Finish
LA-1	6	400	1600	Steel	Nickel
LA-16	9				
LA-3310	11	100	1000		

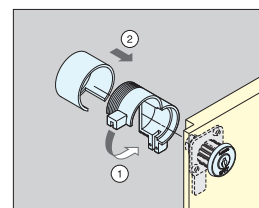
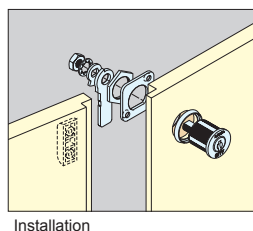
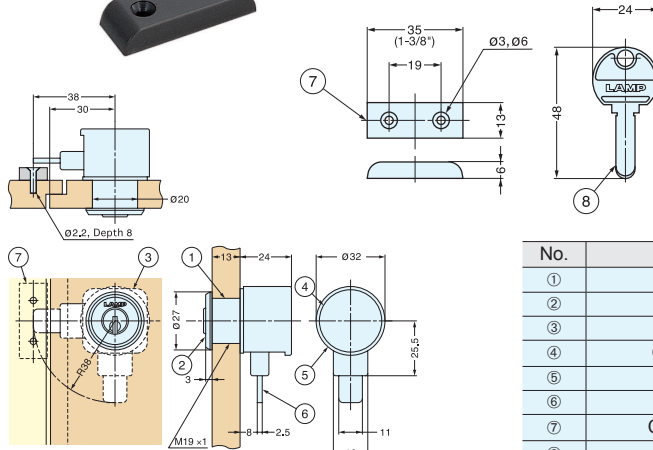
# CAM LOCK FOR WOOD DOORS



**1300SK**



- Dimple key lock series.
- Reversible key. (3 keys supplied)
- Designed for door thickness 13 mm (1/2").
- 1 million key changes available; Please specify keyed alike or differently when ordering.
- Turn the key 360° to lock or unlock.
- 90° cam rotation.
- Master key system available at surcharge. ( Max. 2,520 key changes per master key.)



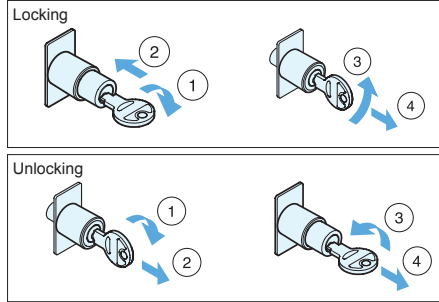
No.	Part Name	Material	Finish
①	Body	Brass	Nickel
②	Base Ring		
③	Plate	Steel	Zinc Chromate
④	Case Cover	Polypropylene	Black
⑤	Ring		
⑥	Cam	303 Stainless Steel	Satin
⑦	Counterplate	ABS	Brown
⑧	Key	Brass	Nickel

Item No.	Door Thickness	Weight (g)	Box (pcs)	Carton (pcs)
1300SK	13 (1/2")	115	12	60

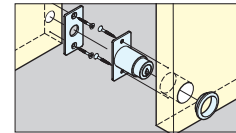
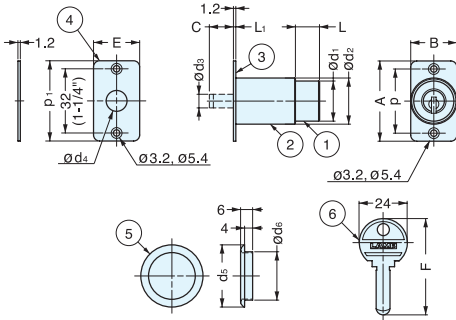
# PUSH LOCK



2300, 2400



- Push lock for bypass sliding doors.
- Back-surface mount lock, counterplate is mounted on the front face of the back door.
- Locking: Turn key 90° to the right, push in, turn key 90° to the left, and remove.
- Unlocking: Turn key 90° to the right and lock will automatically disengage and turn the key 90° back, and remove.
- High-security Million Lock dimple key; one million key changes available.
- Please specify keyed alike or differently when ordering. (2,520 key changes per master key.)
- Master key system available by special order at a surcharge.



Installation

No.	Part Name	Material	Finish
①	Body	Brass	Chrome
②	Cylinder Housing	Zinc Alloy	
③	Counterplate	304 Stainless Steel	Plain
④	Mounting Plate		
⑤	Ring	Brass	Chrome
⑥	Key		Nickel

Item No.	Door Thickness (mm)	A	B	C	D	E	F	L <sub>1</sub>	L <sub>2</sub>	d <sub>1</sub>	d <sub>2</sub>	d <sub>3</sub>	d <sub>4</sub>	d <sub>5</sub>	d <sub>6</sub>	P	P <sub>1</sub>	Weight(g)	Box (pcs)	Carton (pcs)
2400M-20	20 ( 13/16" )	35 (1-3/8")	20 (25/32")	10	35 (1-3/8")	20	46	22 (7/8")	10	16	20	7	7.5	26	21.1	27	27	65	12	60
2400M-25	25 ( 1" )																	70		
2300M	30 ( 1-3/16" )	40 (1-9/16")	24 (15/16")	12	40 (1-9/16")	24	48	30 (1-3/16")	12	20	24	10	10.4	32	25.1	32	32	100		

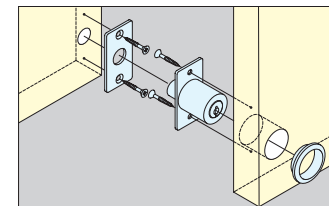
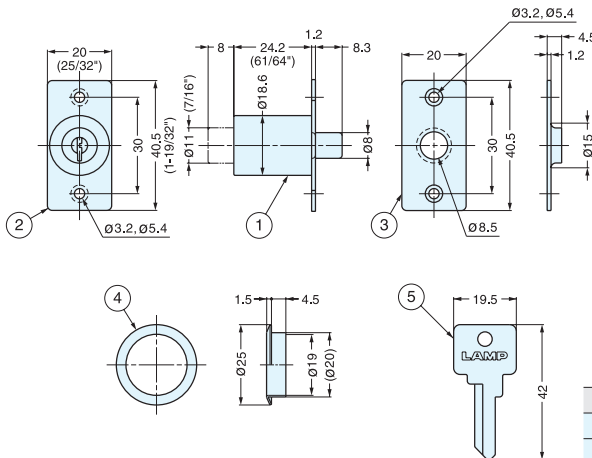
# PUSH LOCK



2160M



- Push lock for 1" thick bypass sliding doors.
- Back-surface mount lock, counterplate is mounted on the front face of the back door.
- Unlock by inserting the key and gently turning to the right and ejecting the cylinder.
- Lock by inserting the key and push the cylinder in.
- Up to 24 key changes available; master key option not available.
- Please specify keyed alike or differently when ordering.



Installation

No.	Part Name	Material	Finish
①	Cylinder Housing	Zinc Alloy	Nickel
②	Mounting Plate	Brass	
③	Counterplate		
④	Ring		
⑤	Key		

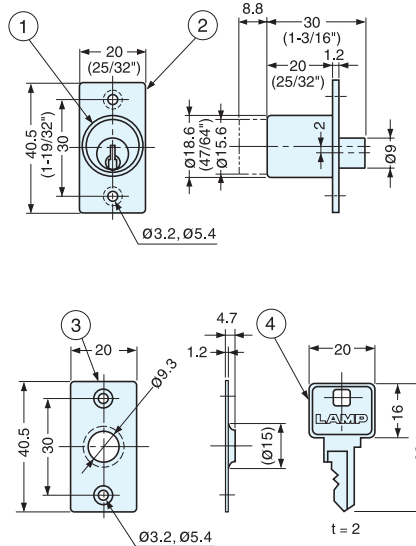
Item No.	Door Thickness	Weight (g)	Box (pcs)	Carton (pcs)
2160M	24 (15/16")	50	24	240



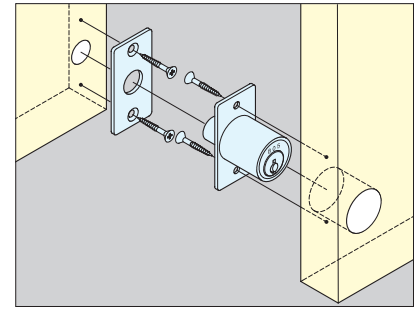
# PUSH LOCK



2100M



- Zinc alloy cylinder push lock for sliding doors.
- Push cylinder to lock.
- Cylinder Length: 20 mm (25/32")
- Cylinder Diameter: 18.6 mm (47/64")
- 12 key changes available.
- Please specify keyed alike or differently when ordering.
- Master key NOT available.
- Keys can be shared with other 2100 series locks.



Installation

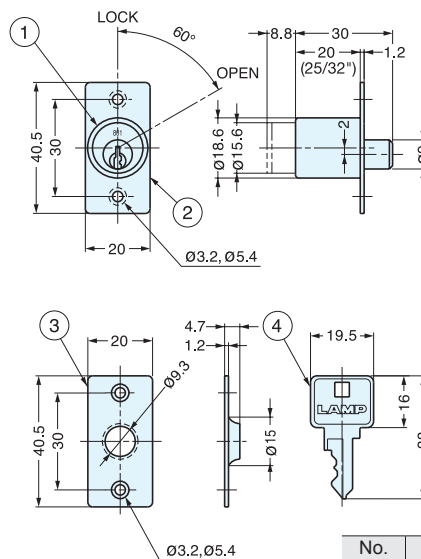
No.	Part Name	Material	Finish
①	Cylinder Housing	Zinc Alloy	Satin Nickel
②	Mounting Plate	Brass	Nickel
③	Counterplate		
④	Key		

Item No.	Door Thickness	Weight (g)	Box (pcs)	Carton (pcs)
2100M	20 (25/32")	60	12	240

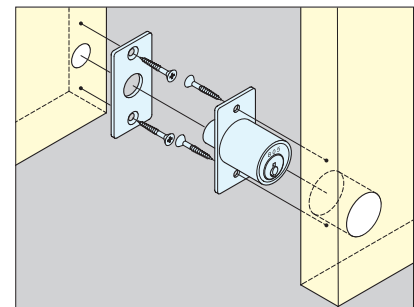
# PUSH LOCK



2110M



- Zinc alloy cylinder push lock for sliding doors.
- Key is required to lock and to unlock.
  - To Lock: Insert key and turn 60° clockwise.
  - Push-in the cylinder and turn the key 60° back.
- Key is removable in both locked and un-locked position.
- Cylinder Length: 20 mm (25/32")
- Cylinder Diameter: 18.6 mm (47/64")
- 12 key changes available.
- Please specify keyed alike or differently when ordering.
- Master key NOT available.
- Keys can be shared with other 2100 series locks.



Installation

No.	Part Name	Material	Finish
①	Cylinder Housing	Zinc Alloy	Nickel
②	Mounting Plate	Brass	
③	Counterplate		
④	Key		

Item No.	Door Thickness	Weight (g)	Box (pcs)	Carton (pcs)
2110M	20 (25/32")	60	12	240

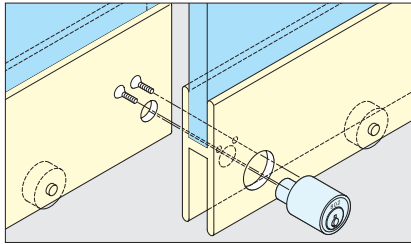
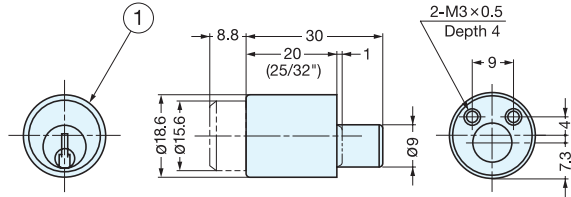
# PUSH LOCK



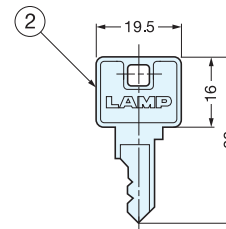
2100B



- Zinc alloy cylinder push lock for metal-framed glass doors or sheet metal double sliding doors.
- Push cylinder to lock.
- Cylinder Diameter: 18.6 mm (47/64")
- Keys can be shared with other 2100 series locks.
- 12 key changes available; Please specify keyed alike or differently when ordering.



Installation



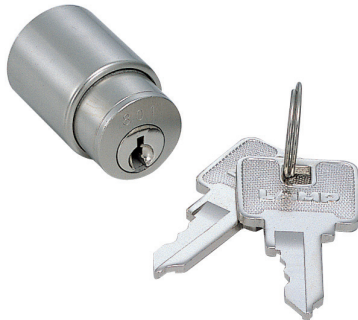
No.	Part Name	Material	Finish
①	Body	Zinc Alloy	Satin Nickel
②	Key	Brass	Nickel

Item No.	Metal Frame Thickness	Cylinder Diameter	Key Changes	Keys Included	Weight (g)	Box (pcs)	Carton (pcs)
2100B	20 ( 25/32" )	18.6 ( 47/64" )	12	2	50	40	400

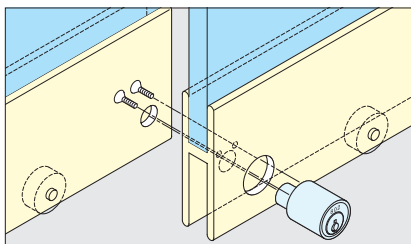
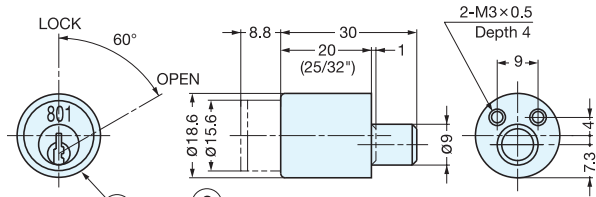
# PUSH LOCK



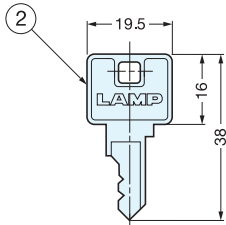
2110B



- Zinc alloy cylinder push lock for metal-framed glass doors or sheet metal double sliding doors.
- Key is required to lock and to unlock.
- To Lock: Insert key and turn 60° clockwise. Push-in the cylinder and turn the key 60° back.
- Cylinder Diameter: 18.6 mm (47/64")
- Keys can be shared with other 2100 series locks.
- 12 key changes available; Please specify keyed alike or differently when ordering.



Installation



No.	Part Name	Material	Finish
①	Body	Zinc Alloy	Satin Nickel
②	Key	Brass	Nickel

Item No.	Metal Frame Thickness	Cylinder Diameter	Key Changes	Keys Included	Weight (g)	Box (pcs)	Carton (pcs)
2110B	20 ( 25/32" )	18.6 ( 47/64" )	12	2	50	40	400

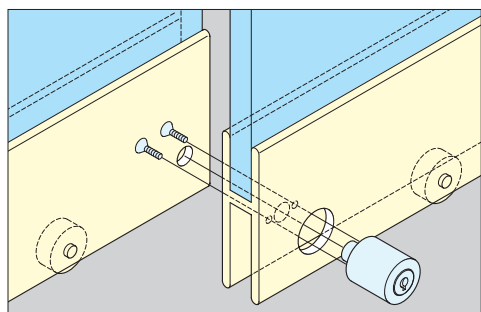
# PUSH LOCK



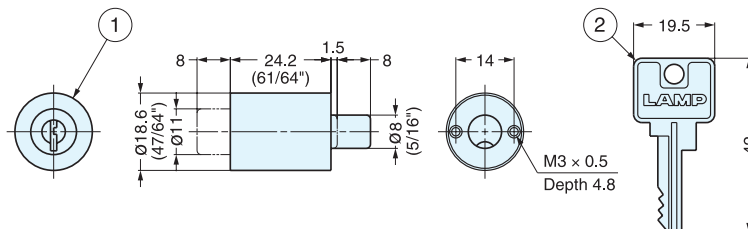
2150B



- Zinc alloy cylinder push lock for metal-framed glass door or sheet metal double sliding doors.
- Push cylinder to lock.
- Cylinder Diameter: 18.6 mm (47/64")
- 24 key changes available; Please specify keyed alike or differently when ordering.
- Master key NOT available.



Installation



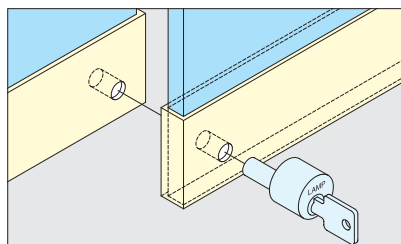
Item No.	Metal Frame Thickness	Weight (g)	Box (pcs)	Carton (pcs)	No.	Part Name	Material	Finish
2150B	24 (15/16")	50	24	240	①	Body	Zinc Alloy	Nickel
					②	Key	Brass	

# PUSH LOCK

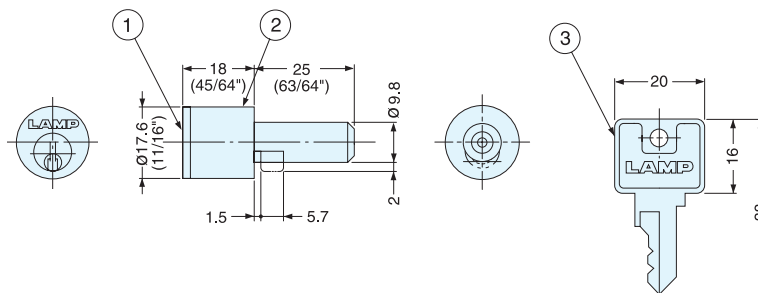
6300



- Zinc alloy cylinder push lock for metal-framed glass doors.
- Easy installation. 10 mm hole required on door.
- Cylinder Diameter: 17.6 mm (11/16")
- Bolt Length: 25 mm (63/64")
- Bolt Diameter: 9.8 mm (25/64")
- 96 key changes available; Please specify keyed alike or differently when ordering.
- Master key NOT available.
- For material thickness is 1.2 mm.



Installation



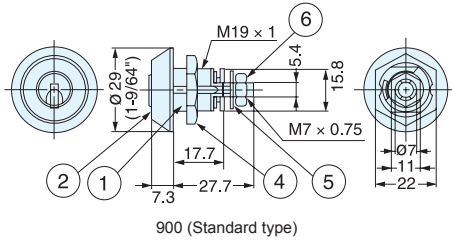
Item No.	Metal Frame Thickness	Cylinder Diameter	Key Changes	Keys Included	Weight (g)	Box (pcs)	Carton (pcs)
6300	19 (3/4")	17.6 (11/16")	96	2	50	24	240

No.	Part Name	Material	Finish
①	Body	Zinc Alloy	Satin Nickel
②	Cover	Brass	Nickel
③	Key		

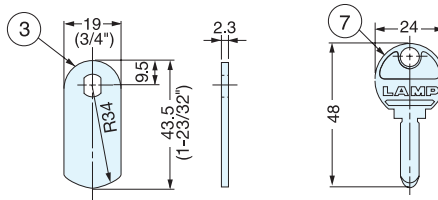
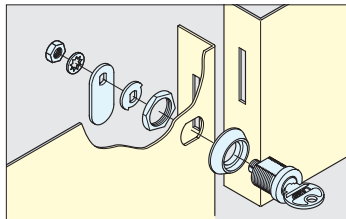
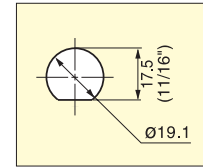
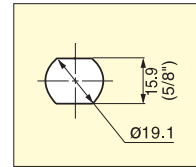
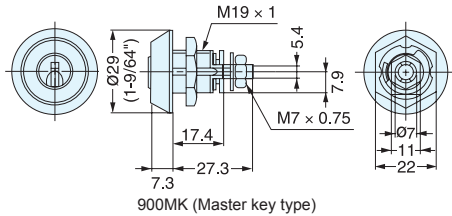
# SHEET METAL CAM LOCK



900



- Brass cylinder cam lock.
- Reversible key.
- 90 degree cam rotation.
- Key is removable in locked position only. (Key works as a knob in unlocked position.)
- 1 million key changes available; Please specify keyed alike or differently when ordering.
- Master key type available at surcharge. (Maximum 2,520 key changes per master key.)



No.	Part Name	Material	Finish
①	Body	Brass	Chrome
②	Ring		
③	Cam	Steel	Yellow Zinc Chromate
④	Hex Nut		Nickel
⑤	Washer		Yellow Zinc Chromate
⑥	Hex Nut	Brass	Nickel
⑦	Key		

Item No.	Metal Thickness (mm)	Keys Included	Weight (g)	Box (pcs)	Carton (pcs)
900	0.8~8 (1/32"~5/16")	2	120	12	60
900MK (with Master Key)					

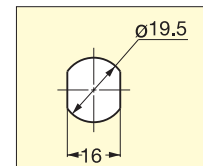
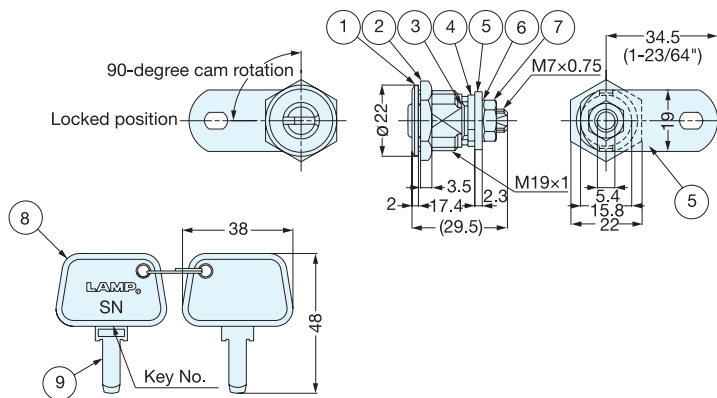
# SHEET METAL CAM LOCK



SN-711-8



- Brass cylinder cam lock.
- 90 degree cam rotation.
- Key is removable in locked position only. "Keyed differently" is available by special order. (Up to 1,500 key changes.)
- \* Extreme pressure on key when in unlocked position may cause damage to the lock.



No.	Part Name	Material	Finish/Color
①	Body	Brass	Chrome
②	Large Hex Nut	Steel	Yellow Zinc Chromate
③	Ring	304 Stainless Steel	Plain
④	Cam	Steel	Chromate
⑤	Plate		
⑥	Washer		
⑦	Small Hex Nut		
⑧	Cover	ABS	Black
⑨	Key	Brass	Nickel

Item No.	Metal Thickness (mm)	Keys Included	Weight (g)	Box (pcs)	Carton (pcs)
SN-711-8	0.1~9 (1/64"~23/64")	2	77	50	150

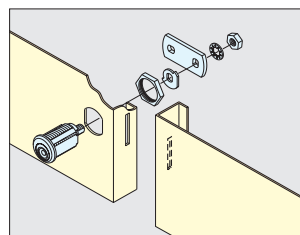
# SHEET METAL CAM LOCK



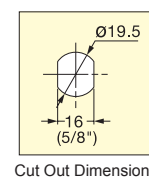
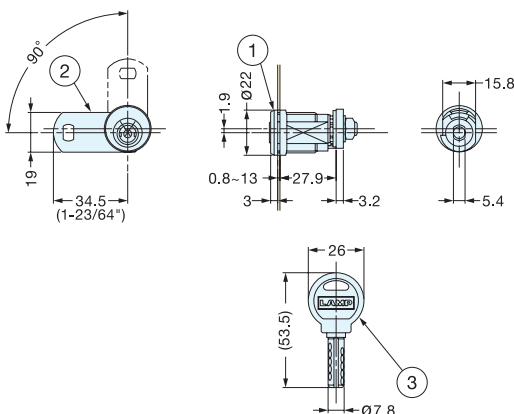
## DCY-34



- High security with special key design.
- Reversible key.
- 90 degree cam rotation
- Key is removable in locked position only. (Key works as a knob in unlocked position.)
- Universal direction - Cam direction changeable.
- 2,000 key changes available; Please specify keyed alike or differently when ordering.
- Master key type available at surcharge. (Maximum 866 key changes per master key)



Installation



Cut Out Dimensions

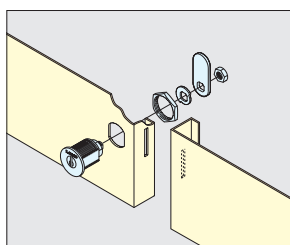
Item No.	Metal Thickness (mm)	Keys Included	Weight (g)	Box (pcs)	Carton (pcs)
DCY-34	0.8~13 (1/32"~1/2")	2	101	12	60

No.	Part Name	Material	Finish
①	Body	Brass	Chrome
②	Cam		Yellow Zinc Chromate
③	Key	Brass/ABS	Nickel/Black

# SHEET METAL CAM LOCK

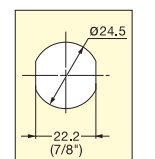
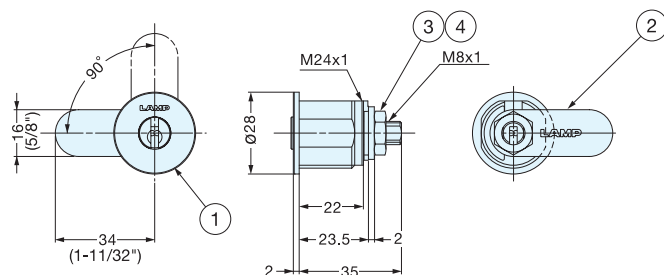


## 3800S



Installation

- High corrosion resistance.
- Reversible key.
- Key is removable in locked position only. (Key works as a knob in unlocked position.)
- Universal direction - Cam direction changeable.
- 300 key changes available; Please specify keyed alike or differently when ordering.
- Master key type available at surcharge.



Cut Out Dimensions

Item No.	Metal Thickness (mm)	Keys Included	Weight (g)	Box (pcs)	Carton (pcs)
3800S	2~10 (5/64"~3/8")	2	119	12	60

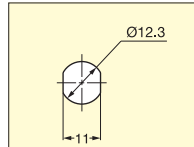
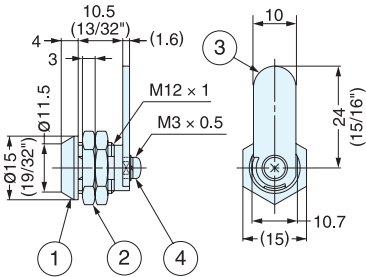
No.	Part Name	Material	Finish
①	Body	303 Stainless Steel	Satin
②	Cam	304 Stainless Steel	Plain
③	Small Hex Nut	303 Stainless Steel	
④	Washer	304 Stainless Steel	
⑤	Key	Nickel Silver	

# SHEET METAL MINI CAM LOCK

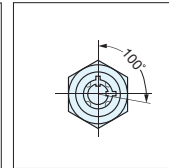
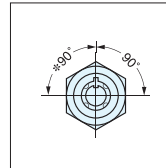
# NAL-S



- Mini zinc alloy cylinder cam lock for sheet metal doors.
- 90 degrees cam rotation.
- Cam is reversible.
- NAL-S-1: Key withdrawals in locked position only. (Key works as a knob in unlocked position.)
- NAL-S-2: Key withdrawals in both locked and unlocked positions.
- Keyed alike only. Keyed differently type available upon request. (Special order)
- \* Cam should be horizontal when unlocked, and should be pointing upwards when locked.
- \* Not suitable for compression latch situation.
- \* Pressure to cam may cause damage to cylinder.



Cut Out Dimensions



\*Turn the cam (3) over to use NAL-S as a counterclockwise turn lock.

One Slot Type NAL-S-1

Two Slot Type NAL-S-2

No.	Part Name	Material	Finish
①	Body	Zinc Alloy	Chrome
②	Hex Nut	Steel	Chromate
③	Cam		Chrome
④	Screw		Chromate
⑤	Key		Chrome
⑥	Key Ring	304 Stainless Steel	Plain

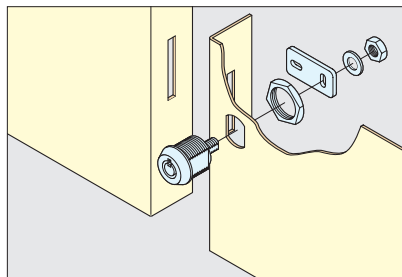
Item No.	Number of Slot (s)	Cylinder Diameter	Key Changes	Keys Included	Weight (g)	Box (pcs)	Carton (pcs)
NAL-S-1	1	12 (1/2") / Width 10.7 (7/16")	100	2	25	100	500
NAL-S-2	2	12 (1/2") / Width 10.7 (7/16")					

# SHEET METAL CAM LOCK

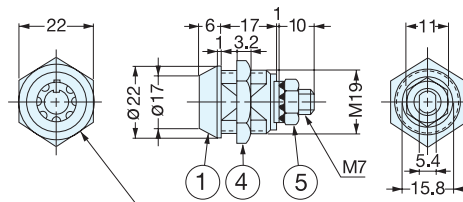
# NAL



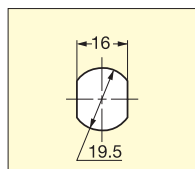
- Brass cylinder tubular cam lock for sheet metal doors.
- 90 degree cam rotation.
- Key is removable in locked position only. (Key acts as a knob in un-locked position.)
- Please specify key No. or combination when ordering if necessary.
- 5,000 key changes available; Please specify keyed alike or differently when ordering.



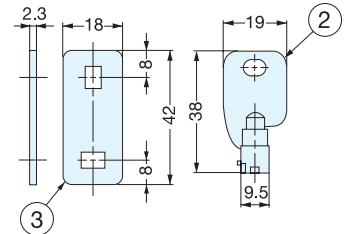
Installation



Key works as a knob in unlocked position.



Cut Out Dimensions



No.	Part Name	Material	Finish
①	Body	Brass	Chrome
②	Key	Steel	Nickel
③	Cam	Brass	Yellow Zinc Chromate
④	Hex Nut		
⑤			

Item No.	Door Thickness (mm)	Cylinder Diameter	Key Changes	Keys Included	Weight (g)	Box (pcs)	Carton (pcs)
NAL	Max.10 ( 3/8" )	19 ( 3/4" )/Width 15.8 ( 5/8" )	5000	2	55	100	300

# HIGH SECURITY CABINET CYLINDER LOCK (w/ round stem key)

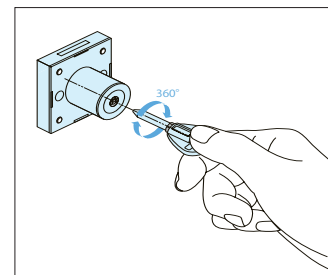


7110

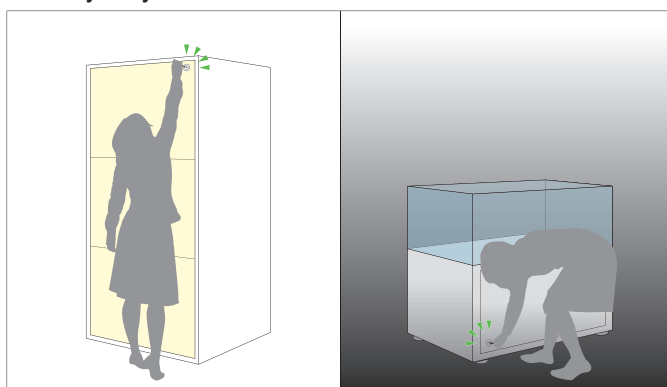


- Round stem dimple key is difficult to duplicate, and the cylinder lock is difficult to pick, adding additional security.
- Key can be easily inserted into the lock at any angle.
- Lock is non-handed, and can be installed on cabinet drawers, swinging doors, display cases, or cabinets for safes.
- Includes 3 keys, counterplate and wood screws for installation.
- Specify keyed alike or different when ordering.
- Maximum 500,000 key changes available.
- Master keying options available by special order.

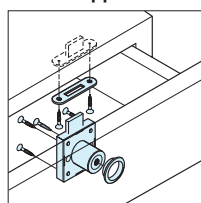
Unlike regular keys, these keys can be inserted at any angle.



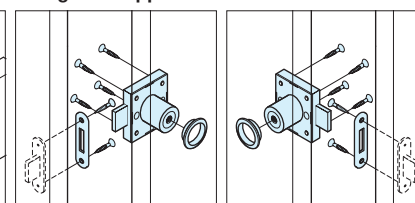
Insert key easily in cabinets that are difficult to access.



Drawer Application

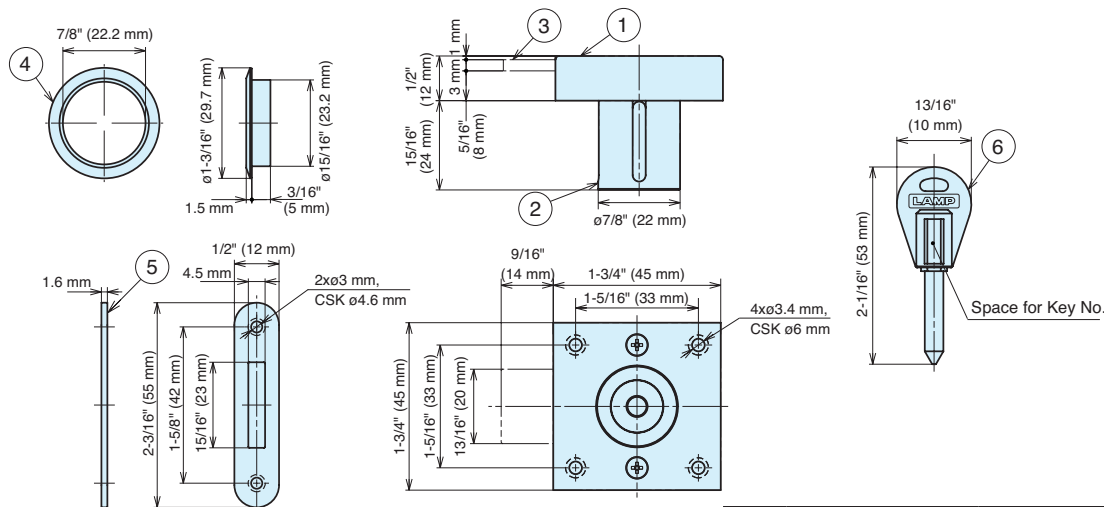


Swing Door Application



Right handed door

Left handed door



No.	Part Name	Material	Finish
①	Body	304 Stainless Steel	Plain
②	Cylinder	Brass	Nickel
③	Dead Bolt	304 Stainless Steel	Plain
④	Ring	Brass	Nickel
⑤	Strike	Steel	
⑥	Key	304 Stainless Steel, Polyacetal (POM)	Plain

Item No.	Metal Frame Thickness	Cylinder Diameter	Weight (g)	Box (pcs)	Carton (pcs)
7110-24-DN	7/8"~15/16" (22~24 mm)	7/8" (22 mm)	160	12	60

