



CABINET DOOR HARDWARE

LATERAL OPENING DOOR SYSTEM
GLASS SHOWCASE HARDWARE

CABINET DOOR HARDWARE

LATERAL OPEN
CABINET HARDWARE

LATERAL OPENING DOOR SYSTEM

MonoFlat **LIN-X** hinge™**LIN-X450**

P.592~595

Custom Set: Max. Door Weight 15 lbs
Standard Set: Max. Door Weight 37 lbsMonoFlat **LIN-X** hinge™**LIN-X600**

P.596~597

Custom Set: Max. Door Weight 20 lbs
Standard Set: Max. Door Weight 53 lbsMonoFlat **LIN-X** hinge™**LIN-X800**

P.598~599

Custom Set: Max. Door Weight 15 lbs
Standard Set: Max. Door Weight 37 lbs

LATERAL OPENING DOOR SYSTEM



MonoFlat FAD™
P.601
Max. Door Weight 11 lbs

FAD-5



MonoFlat FAD™
P.602~602
Max. Door Weight 44 lbs

FAD-20

SPECIALITY DOOR HARDWARE



P.604~605
Door Straighteners

DSR



P.606
Glass Showcase Hardware
Max. Door Weight 27 lbs

XL-GC SERIES

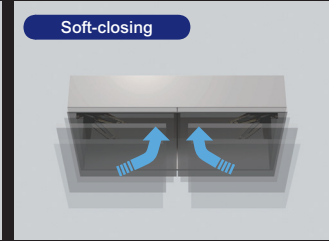
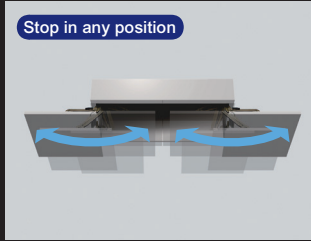


P.608~609
180° Rotating Cabinet System
Max. Door Weight 165 lbs

RB-600



MonoFlat LIN-X hinge™



LATERAL OPENING DOOR SYSTEM

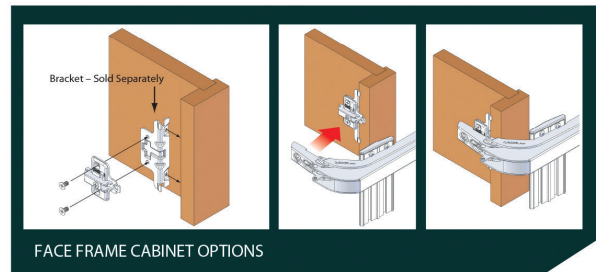
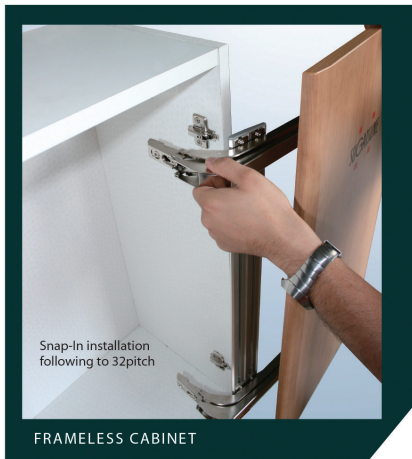
LIN-X450 / LIN-X600

Item No.	LIN-X450	LIN-X600
Door Width	400~500 mm (15-3/4"~19-11/16")	550~650 mm (21-5/8"~25-9/16")
Door Height	600~2400 mm (23-5/8"~94-1/2")	
Door Thickness	15~24 mm (5/8"~15/16")	
Door Weight	*Max 17 kg (37.4 lbs)	*Max 24 kg (52.8 lbs)

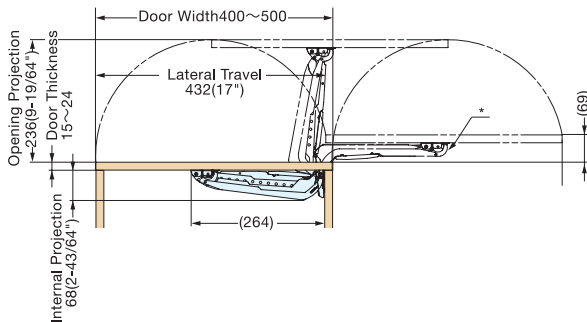
*Max door weight will vary depending on number of hinges used.

- **Lateral Swing Mechanism**
Allows doors to swing out laterally in a small radius, ideal for tight front space application.
- **Full Access to Cabinet**
Door will not get in the way when fully opened providing full access to the cabinet.
- **Free Swing & Soft-close**
- **Easy Installation**
Designed for standard 32 mm system mounting, with snap-on hinge.
- **4-Way Adjustable**
3-way adjustable like concealed hinges and also with parallel adjustment.
- **Various Applications**
Can be used in single or double door configuration. Ideal for cabinets in kitchen, bathroom, laundry room etc.
*For overlay use.

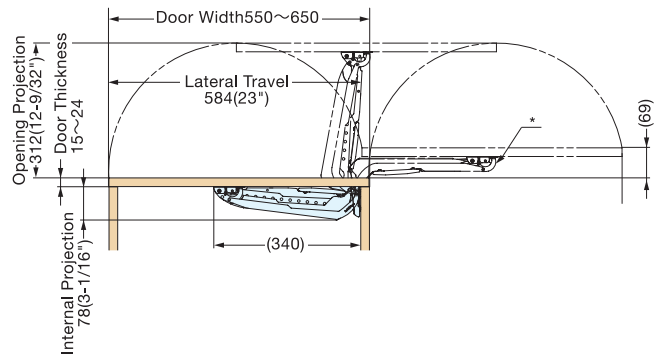
INSTALLATION



■ LIN-X450



■ LIN-X600



■ Application

Kitchen Corner (Inside)



Kitchen Corner (Outside)



Kitchen



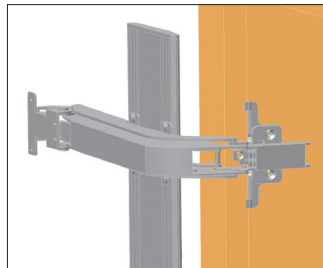
TV Base Cabinet



TV Cabinet



■ Face Frame Bracket



Item No.	Material
FFCB-HG-1	304 Stainless Steel

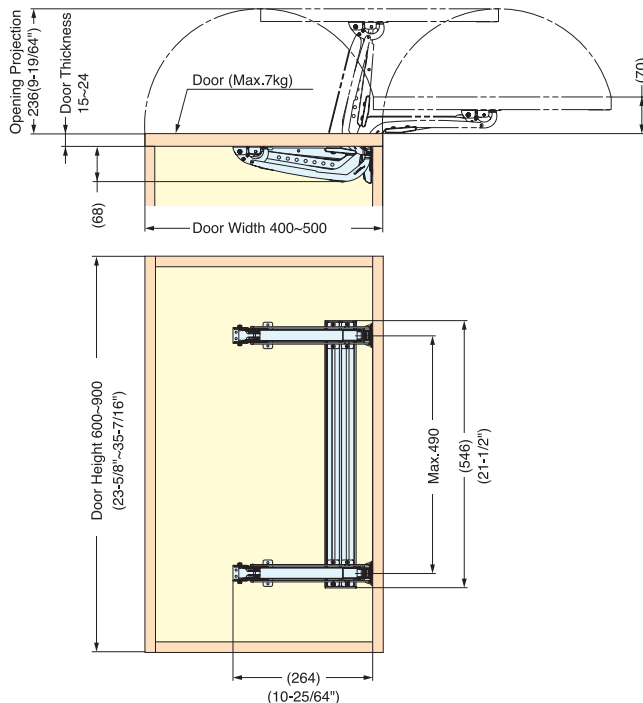
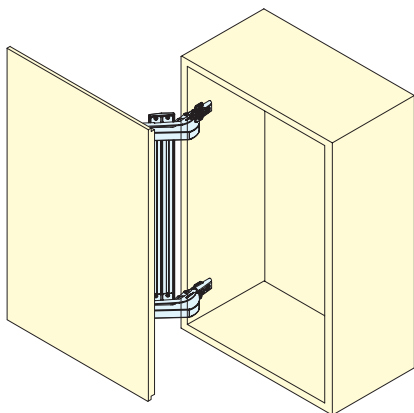
LATERAL OPENING DOOR SYSTEM

LIN-X450

LATERAL OPEN CABINET HARDWARE

LATERAL OPENING DOOR SYSTEM LIN-X HINGES

Standard Kit



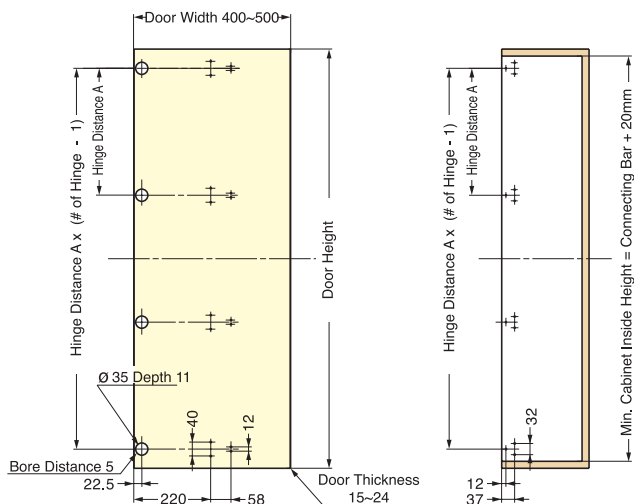
Item No.	Overlay	Material	Finish
LIN-X450	19 mm (3/4")	Steel/Aluminum	Nickel/Anodized
LIN-X450+5	14 mm (35/64")		

Door Width	400~500 mm (15-3/4"~19-11/16")
Door Height	600~900 mm (23-5/8"~35-7/16")
Door Thickness	15~24 mm (5/8"~15/16")
Door Weight	Max. 7 kg (15.4 lbs) / Door

*Can be used on heavier / taller doors by adding hinge arms.
Please see below for details.

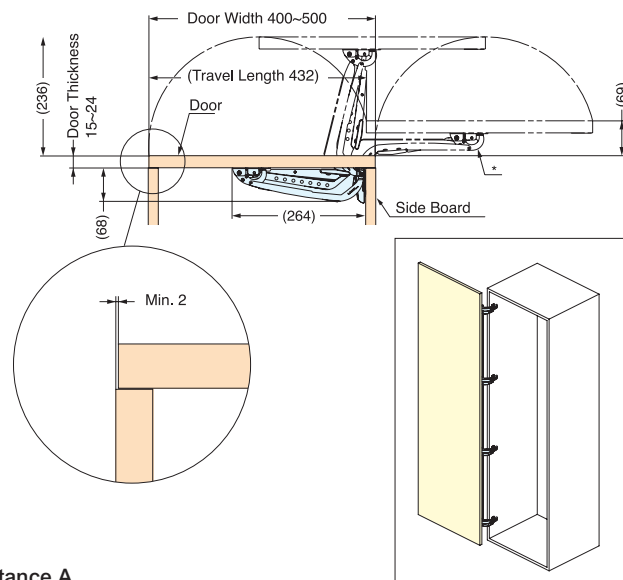
Individual Parts for Tall / Heavy Door

Door Preparation



Hinge in middle should be positioned at or equally distributed from center of door.

Cabinet Preparation



Hinge Distance A

Door Width	400~500 mm (15-3/4"~19-11/16")
Door Height	600~2400 mm (23-5/8"~94-1/2")
Door Thickness	15~24 mm (5/8"~15/16")
Door Weight	Max. 17 kg (37.4 lbs)

# of Hinges	Length of Connecting Bar (mm)					
	540	840	1140	1440	1740	2040
2 pcs	490.0	790.0	1090.0	-	-	-
3 pcs	245.0	395.0	545.0	695.0	845.0	-
4 pcs	-	263.3	363.3	463.3	563.3	663.3
5 pcs	-	-	272.5	347.5	422.5	497.5

Individual Parts - Ordering Chart

Ordering Info

Use corresponding letter in below table, and see "Parts Breakdown Table" for parts to be ordered.

Door Height	Door Weight				Connecting Bar / Cover Cap
	~15.5 lbs (~7.0 kg)	15.6~23.0 lbs (7.1~10.5 kg)	23.1~31 lbs (10.6~14.0 kg)	31.1~37.4 lbs (14.1~17.0 kg)	
23-5/8"~35-7/16" (600~900 mm)	LIN-X450 Standard Set Connecting Bar & Cover included	B			LIN-X450-L540 1 pc LIN-X450C 2 pcs
35-7/16"~47-1/4" (901~1200 mm)	A	B	C		LIN-X450-L840 1 pc LIN-X450C 2 pcs
47-1/4"~59-3/64" (1201~1500 mm)	A	B	C	D	LIN-X450-L1140 1 pc LIN-X450C 2 pcs
59-3/64"~70-7/8" (1501~1800 mm)	B	B	C	D	LIN-X450-L1440 1 pc LIN-X450C 2 pcs
70-7/8"~82-11/16" (1801~2100 mm)	B	B	C	D	LIN-X450-L1740 1 pc LIN-X450C 2 pcs
82-11/16"~94-1/2" (2101~2400 mm)	C	C	C	D	LIN-X450-L2040 1 pc LIN-X450C 2 pcs

Parts Breakdown Table

Item Number	Description		Qty Required			
			A	B	C	D
LIN-X450ACD	Single Arm (with Damper)		2	3	3	3
LIN-X450A	Single Arm (without Damper)		-	-	1	2
230-P4W-32T (for 19 mm overlay) or 230-P4W-32T+5 (for 14 mm overlay)	Mounting Plate *Requires 3 pcs of TAP3515NI Screw 3.5 x 15NI (Sold separately) per Mounting Plate		2	3	4	5
LIN-X450-L540	Connecting Bar L=540 mm		See table above			
LIN-X450-L840	Connecting Bar L=840 mm					
LIN-X450-L1140	Connecting Bar L=1140 mm					
LIN-X450-L1440	Connecting Bar L=1440 mm					
LIN-X450-L1740	Connecting Bar L=1740 mm					
LIN-X450-L2040	Connecting Bar L=2040 mm					
LIN-X450C	End Cap for Connecting Bar		2			

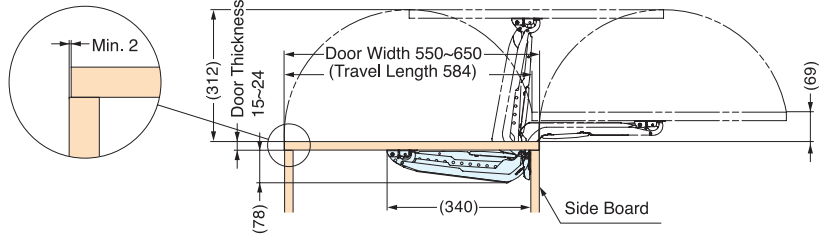
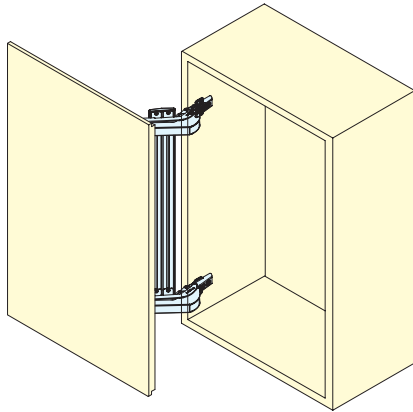
LATERAL OPENING DOOR SYSTEM

LIN-X600

LATERAL OPEN CABINET HARDWARE

LATERAL OPENING DOOR SYSTEM LIN-X HINGES

Standard Kit



Please note handle position on other doors before installation, so that hinges will not interfere with the handles.

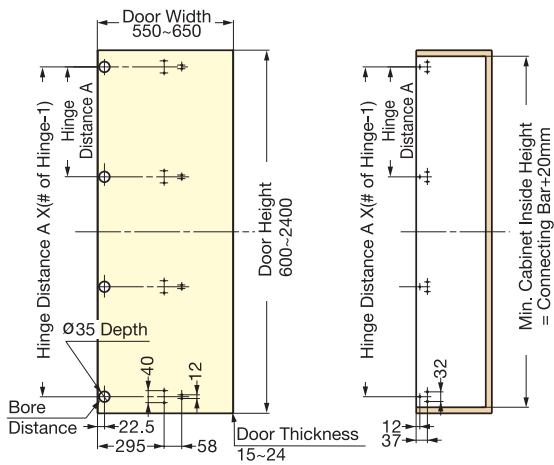
Item No.	Overlay	Material	Finish
LIN-X600	19 mm (3/4")	Steel, Aluminum	Nickel, Anodized

Included Parts: 2 each of Hinge Arms, Mounting Plates, Cup Covers, Bar End Caps and 1 Connecting Bar.

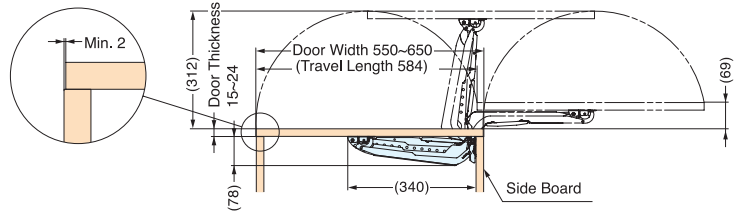
Door Width	550~650 mm (21-5/8"~25-9/16")
Door Height	600~900 mm (23-5/8"~35-7/16")
Door Thickness	15~24 mm (5/8"~15/16")
Door Weight	MAX. 9 kg (19.8 lbs) / Door

Individual Parts for Tall / Heavy Door

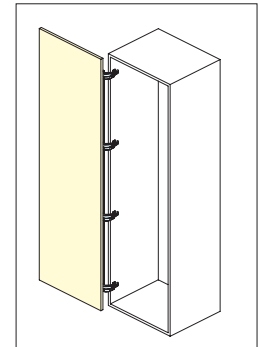
Door Preparation



Cabinet Preparation



Please note handle position on other doors before installation, so that hinges will not interfere with the handles.



Hinge Distance A

Door Width	550~650 mm (21-5/8"~25-9/16")
Door Height	600~2400 mm (23-5/8"~94-1/2")
Door Thickness	15~24 mm (5/8"~15/16")
Door Weight	Max. 24 kg (52.8 lbs)

# of Hinges	Length of Connecting Bar (mm)					
	540	840	1140	1440	1740	2040
2 pcs	490.0	790.0	-	-	-	-
3 pcs	245.0	395.0	545.0	695.0	845.0	-
4 pcs	-	-	363.3	463.3	563.3	663.3
5 pcs	-	-	-	347.5	422.5	497.5

Individual Parts - Ordering Chart

Ordering Info

Use corresponding letter in below table, and see "Parts Breakdown Table" for parts to be ordered.

Door Height	Door Weight					Connecting Bar / Cover Cap
	~19.9 lbs (~9.0 kg)	20.0~26.5 lbs (9.1~12.0 kg)	26.6~35.4 lbs (12.1~16.0 kg)	35.5~44.2 lbs (16.1~20.0 kg)	44.3~52.8 lbs (20.1~24.0 kg)	
23-5/8"~35-7/16" (600~900 mm)	LIN-X600 Standard Set Connecting Bar & Cover included	B				LIN-X60-L540 1 pc LIN-X60C 2 pcs
35-7/16"~47-1/4" (901~1200 mm)		B	B			LIN-X60-L840 1 pc LIN-X60C 2 pcs
47-1/4"~59-3/64" (1201~1500 mm)		B	B	C		LIN-X60-L1140 1 pc LIN-X60C 2 pcs
59-3/64"~70-7/8" (1501~1800 mm)		B	B	C	D	LIN-X60-L1440 1 pc LIN-X60C 2 pcs
70-7/8"~82-11/16" (1801~2100 mm)		B	B	C	D	LIN-X60-L1740 1 pc LIN-X60C 2 pcs
82-11/16"~94-1/2" (2101~2400 mm)		C	C	C	D	LIN-X60-L2040 1 pc LIN-X60C 2 pcs

Parts Breakdown Table

Item Number	Description	Image	Qty Required			
			A	B	C	D
LIN-X600ACD	Single Arm (with Damper)		2	3	3	3
LIN-X600A	Single Arm (without Damper)		-	-	1	2
230-P4W-32T (for 19 mm overlay)	Mounting Plate *Requires 3 pcs of TAP3515NI Screw 3.5 x 15NI (Sold separately) per Mounting Plate		2	3	4	5
LIN-X60-L540	Connecting Bar L=540 mm		See table above			
LIN-X60-L840	Connecting Bar L=840 mm					
LIN-X60-L1140	Connecting Bar L=1140 mm					
LIN-X60-L1440	Connecting Bar L=1440 mm					
LIN-X60-L1740	Connecting Bar L=1740 mm					
LIN-X60-L2040	Connecting Bar L=2040 mm					
LIN-X60C	End Cap for Connecting Bar		2			

LATERAL OPENING DOOR SYSTEMS

LIN-X800

LATERAL OPEN
CABINET HARDWARE

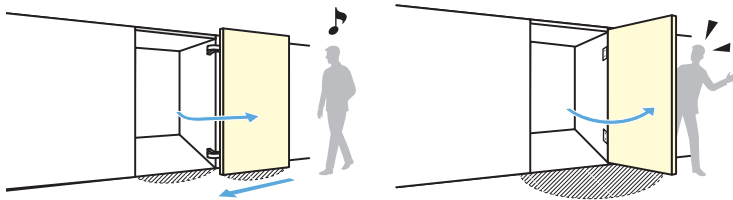
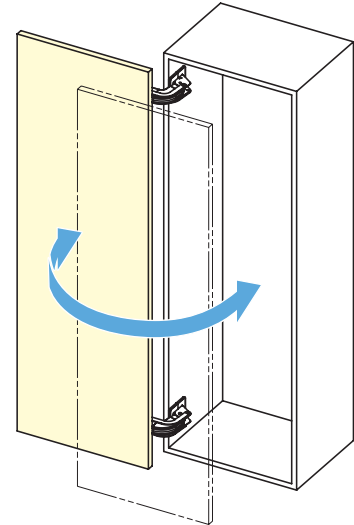
LATERAL OPENING DOOR SYSTEM



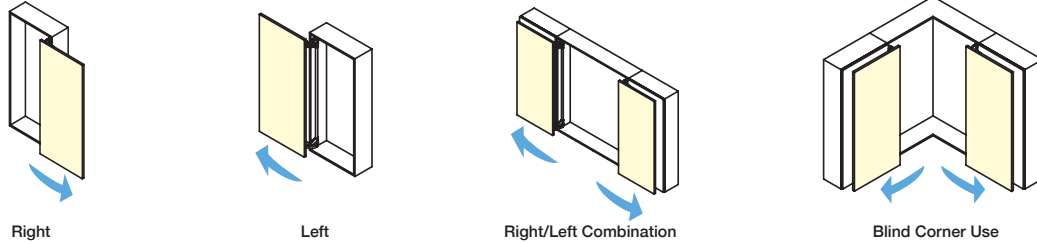
- **Lateral Opening Mechanism:** Allows doors to swing out laterally in a small radius, ideal for tight front space application.
- **4-Way Adjustable:** Vertical, horizontal, depth and parallel adjustment.
- **Smooth Movement:** Built-in dampers provide a smooth soft-closing movement.
- **Use in various applications:** Ideal for closet entryways, large pantry doors, storage, hidden rooms, etc. Can also be used on L shaped corner spaces.
- **Hardware is non-handed:** can be used for left- or right-opening doors.
- **Designed for overlay installation,** but can be installed flush with the surrounding cabinet or wall. Please contact customer service for details on inset installations.



Minimize opening clearance required with LIN-X800, compared to traditional swinging doors. When closed, the LIN-X door can be flush with the surrounding walls.

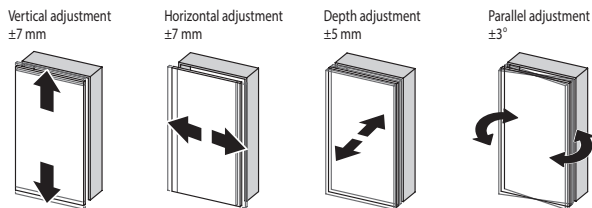


Installation Examples



Adjustability

Adjustable in vertical, horizontal, depth and parallel directions.

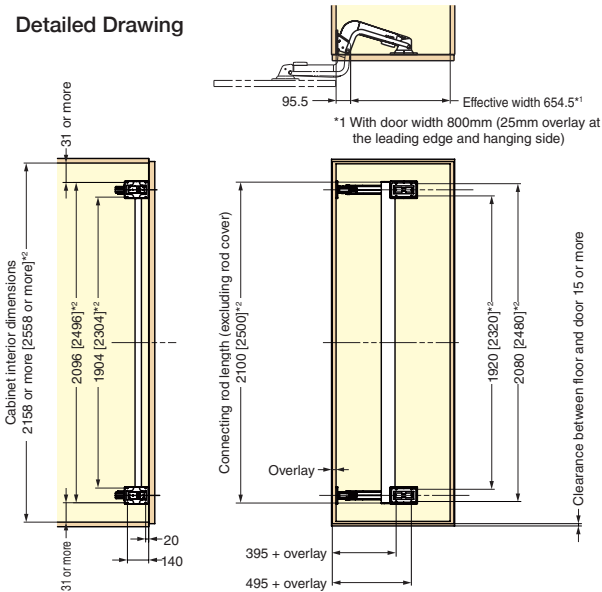


	LIN-X800	LIN-X800H
Door Width	750~850mm (29-1/2"~33-7/16")	
Max. Door Height	2400mm (94-1/2")	2980mm (117-5/16")
Door Thickness	24~40mm (15/16"~1-9/16")	
Max. Door Weight	40kg/door (88lbs/door)	

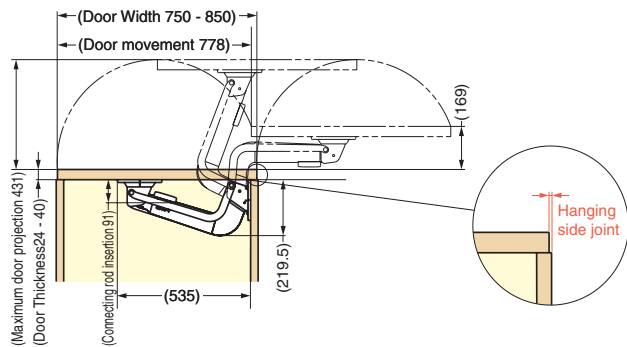
Item No.	Material	Weight (kg)	Finish
LIN-X800-WT-S	Steel, Aluminum	18kg (40lbs)	White
LIN-X800-BL-S			Black
LIN-X800H-WT-S		18.7kg (44lbs)	White
LIN-X800H-BL-S			Black

No.	Qty.	Parts in Set	Dimensions	Material	No.	Qty.	Parts in Set	Dimensions	Material
1	A · B 1 each	Hinge A		Steel, Plastic (POM) Finish: White, Matte Black	2	4 pcs	Washer cover (hanging side)		Plastic (ABS)
		Hinge B					Washer cover (leading edge)		
5	1	Connecting Rod		Aluminium Alloy Finish: Anodised: Black/silver	4	2 pcs	Rod cover		Plastic (POM)
				Aluminium Alloy Finish: Anodised: Black/silver					

Detailed Drawing



Range of Motion



^{*2} The dimensions in [] indicate LIN-X800H specifications.

^{*2} For cabinet interior dimensions smaller than the minimum value, reduce the other dimensions marked with ^{*2} by an equivalent amount. The connecting rod must be cut by the customer.

Ideal for Walk-in closet, hidden shop storage, restaurant or ballroom bars as well as partition office doors.

Model	Weight	Door Size (min. / max.)
LIN-X1000	200 lbs(90kg)	94-1/2" (2400mm) / 1100
LIN-X800H	88 lbs(40kg)	63" (1600mm) / 850
LIN-X800	88 lbs(40kg)	94-1/2" (2400mm) / 850
LIN-X600	52.8 lbs(24kg)	23-5/8" (600mm) / 650
LIN-X450	37.4 lbs(17kg)	23-5/8" (600mm) / 500

^{*2} Inside cabinet 94-1/2" (2400mm)

LATERAL OPENING DOOR SERIES

LATERAL OPEN
CABINET HARDWARE



MonoFlat FAD™
FAD-5
 Door Weight: Max. 5 kg (11 lbs)
 Please see P.599 for details



MonoFlat LIN-X hinge™
LIN-X450 / 600
 Door Weight: Max. 17~24 kg (37~53 lbs)
 Please see P.592~597 for details

LATERAL OPENING DOOR SERIES



MonoFlat FAD™
FAD-20
 Door Weight: Max. 20 kg (44 lbs) Please see P.600~601 for details

FAD-20



MonoFlat UNISON™
MFU
 Door Weight: Max. 30 kg (66 lbs) Please see P.566~567 for details



MFU

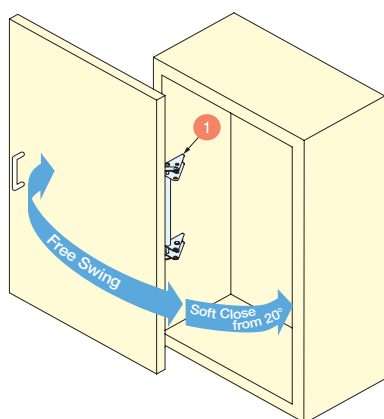


MonoFlat FAD™

Door Width	270~350 mm (10-5/8"~13-3/4")
Door Height	260~650 mm (10-1/4"~25-9/16")
Door Thickness	15~20 mm (19/32"~25/32")
Door Weight	5 kg (11 lbs)

LATERAL OPENING DOOR SYSTEM (For Light Weight Doors)

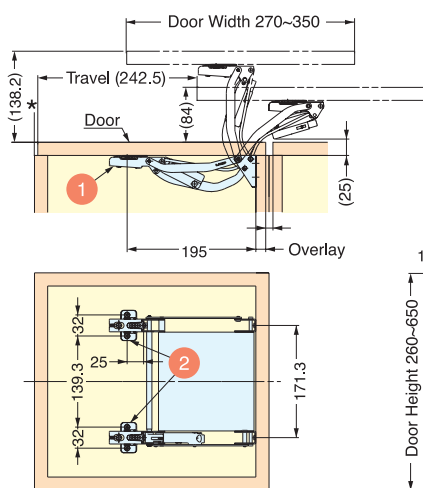
FAD-5



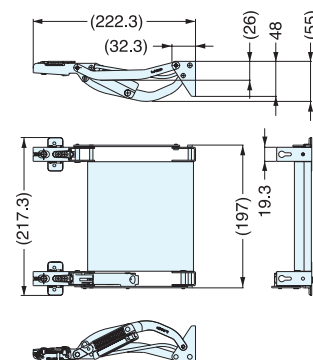
- Lateral Swing Mechanism
Allows doors to swing out laterally in a small radius, ideal for tight front space application.
- Free Swing & Soft-close
- 3-Way Adjustable
- Various Applications
Can be used in single or double door configuration.
Ideal for cabinets in kitchen, bathroom, laundry room etc.
*For overlay use.

- Other "MonoFlat series" available.

MonoFlat FAD-20	For door weight 20 kg (44 lbs) – P.600~601
MonoFlat LIN-X	For door weight 24 kg (53 lbs) – P.592~597
MonoFlat Unison	For door weight 30 kg (66 lbs) – P.566~567
MonoFlat FAD-44	For door weight 35 kg (77 lbs) – P.602~603
MonoFlat FAD-54	For door weight 35 kg (77 lbs) – P.564~565




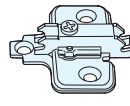
■ Hinge Dimensions



■ Part Details

Item No.	Box (sets)
FAD-5	1

1set includes both hinge body and mounting plates.

No.	Qty	Part Name	Material / Finish
1	1pc	 Hinge Body	<ul style="list-style-type: none"> • Material Aluminum, Polyacetal, Steel • Finish/Color Anodized, Grey, Nickel
2	2pcs	 Mounting Plate	<ul style="list-style-type: none"> • Material/Steel • Finish/Nickel

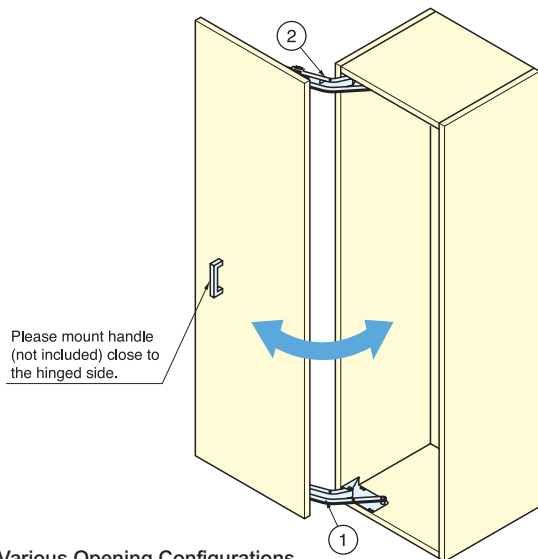


MonoFlat FAD™

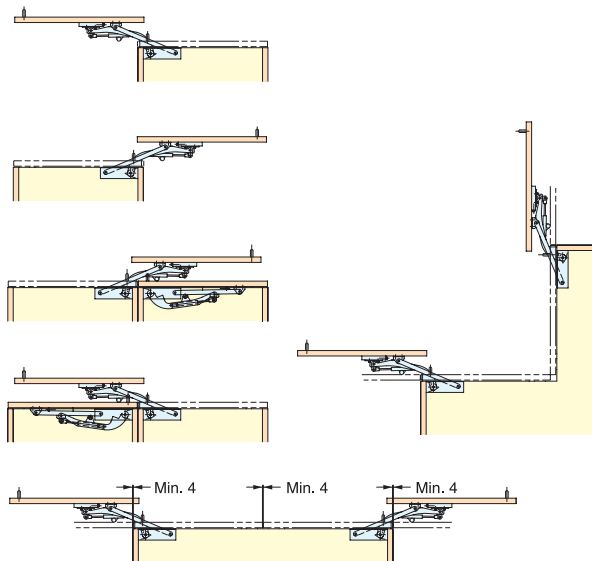
Inside Door Width	500~550 mm (19-11/16"~21-21/32")
Inside Door Height	Max. 2420 mm (95-9/32")
Door Thickness	Max. 35 mm (1-3/8")
Door Weight	Max. 20 kg (44 lbs) / Door

- Lateral Opening Mechanism
Allows doors to swing out laterally in a small radius, ideal for tight front space application.
 - Smooth Movement
Built-in gas spring provides a smooth self opening & closing movement.
 - Various applications
Can be used in single or double door configuration.
Ideal for storage cabinets in kitchen, closet room, bathroom, laundry room etc.
- *For overlay use.

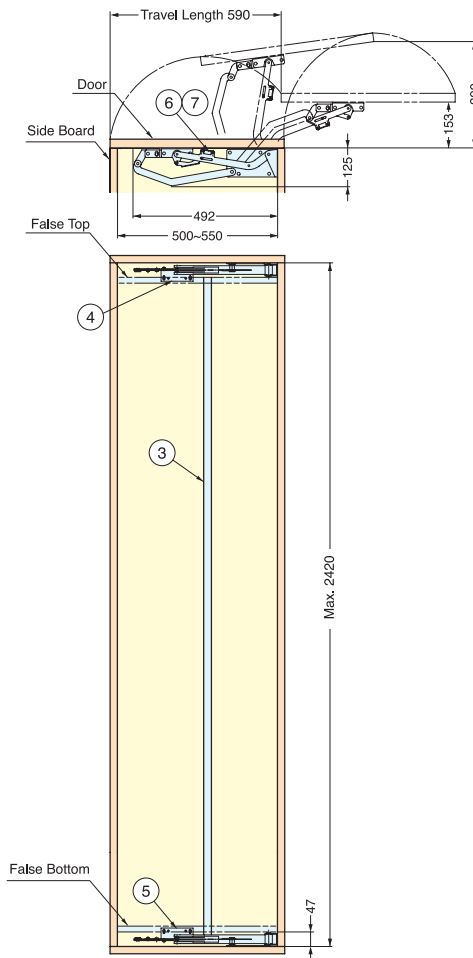
LATERAL OPENING DOOR SYSTEM (For Medium Weight Doors) FAD-20



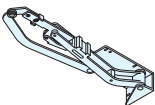
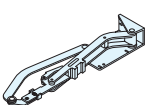

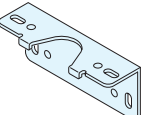
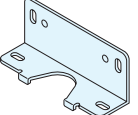
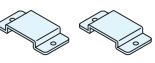
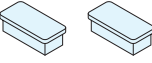
Various Opening Configurations



- Other "MonoFlat series" available.
 - MonoFlat FAD-5 For door weight 5 kg (11 lbs) – P. 599
 - MonoFlat LIN-X For door weight 24 kg (53 lbs) – P.592~597
 - MonoFlat Unison For door weight 30 kg (66 lbs) – P.566~567
 - MonoFlat FAD-44 For door weight 35 kg (77 lbs) – P.602~603
 - MonoFlat FAD-54 For door weight 35 kg (77 lbs) – P.564~565



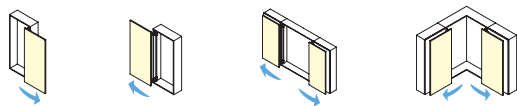
Part Details

No.	①	②	③	④	⑤	⑥	⑦
Name	Arm A	Arm B	Connecting Bar	Door Bracket (Top)	Door Bracket (Bottom)	Bar Clamp	End Cap
							
Qty. / Set	1 pc	1 pc	1 pc	1 pc	1 pc	2 pcs	2 pcs
Discription	<ul style="list-style-type: none"> • Material Aluminum, Steel • Finish/Color Silver 	<ul style="list-style-type: none"> • Material Aluminum, Steel • Finish/Color Silver 	<ul style="list-style-type: none"> • Material/Steel • Finish/Color Silver 	<ul style="list-style-type: none"> • Material/Steel • Finish/Color Silver 	<ul style="list-style-type: none"> • Material/Steel • Finish/Color Silver 	<ul style="list-style-type: none"> • Material/Steel • Finish/Color Silver 	<ul style="list-style-type: none"> • Material Polyethylene • Finish/Color Black



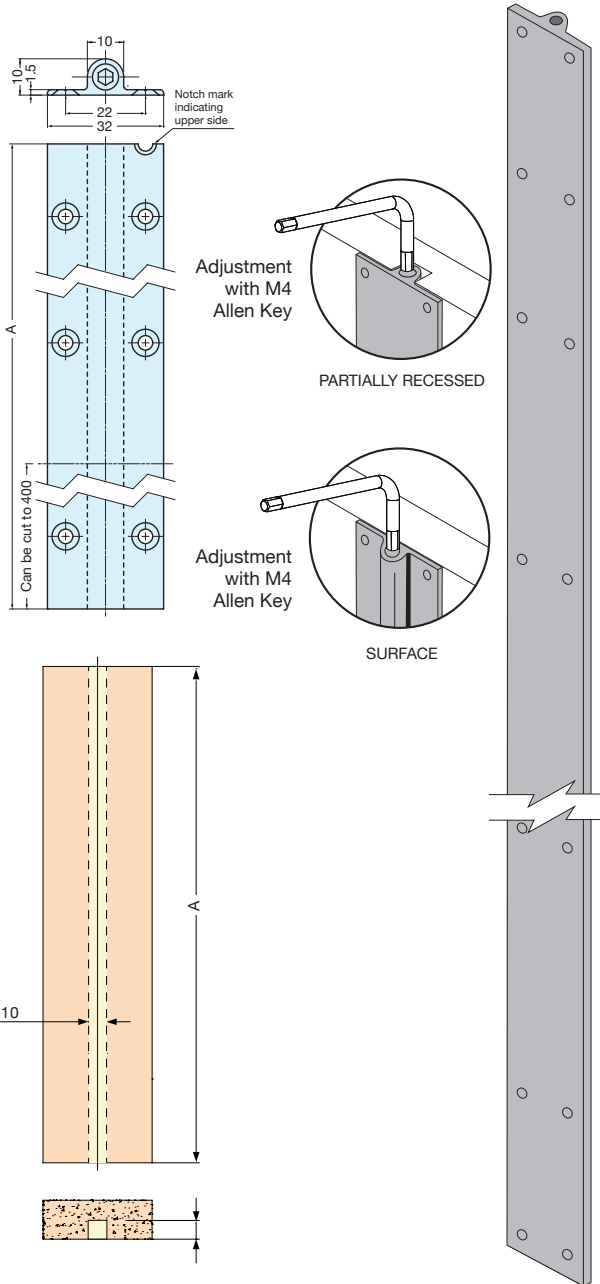
Lateral Opening Door Systems

Sugatsune's Lin-X systems were designed to open in a lateral direction giving you more space in front of doors and cabinets and allowing for full access in corner applications. The Lin-X systems are easy to install with no tracks or rails needed. Doors will never slam with the soft-close dampers and the free-stop capability allows for the doors to stop at any opening desired.



DSR701-RECESSED/SURFACE

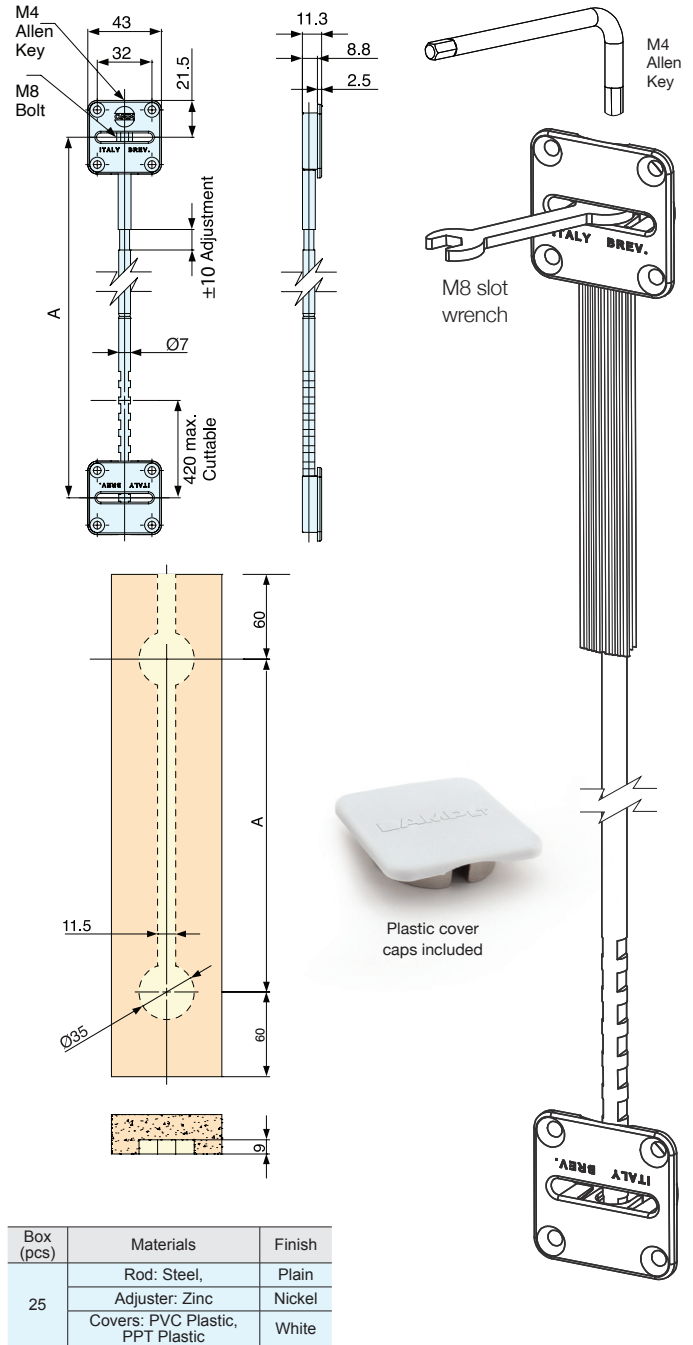
- Installed post-production to fix warped doors.
- Must run complete height of door.
- Can be partially recessed or surface mounted to the back of the door.
- ± 10 mm adjustment can be made from the top of the door with a M4 Allen Key (included).
- Min. door thickness 16 mm (9/16").
- Requires M4 (U.S. #8) flathead wood countersunk screws for partially recessed installation or wood panhead screws for surface installation.
- Can be cut from the bottom up to 400mm.
- Note: Sold in Boxes of 10 pieces.



Item No.	Min. Door Thickness	Adjust (mm)	Length Min-Max (A)	Box (pcs)	Materials	Finish
DSR701-1830/B-10	5/8"	$\pm 3/8$ "	56-5/16" ~ 72-1/16"	10	Rod: Steel Casing: Aluminum	Black
DSR701-1830/S-10						Silver
DSR701-2200/B-10			Black			
DSR701-2200/S-10			Silver			

DSR213-RECESSED

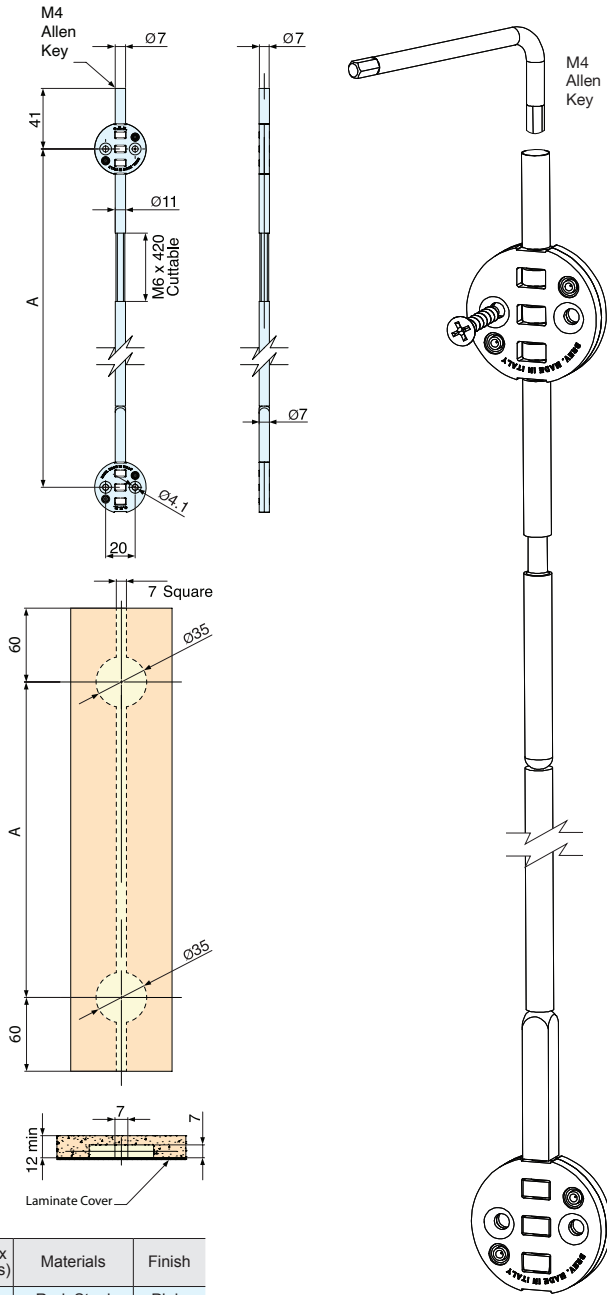
- Installed at time of production to prevent door from warping.
- Adjustors installed 60 mm from the top and bottom of the door.
- Partially Recessed Door Straightener with Cover Caps.
- ± 10 mm adjustment can be made from the top of the door with a M4 Allen Key (included) or from the back of the door with a M8 slot wrench (included).
- Min. door thickness 16 mm (5/8")
- Requires 8 M4 (U.S. #8) flathead contersunk wood screws for installation.
- Note: Sold in Boxes of 25 pieces.



Item No.	Min. Door Thickness	Adjust	Center Distance (A)	Door Length
DSR213-1524-25	5/8"	$\pm 3/8$ "	43-7/16" ~ 60"	48-3/16" ~ 64-3/4"
DSR213-1930-25			59-7/16" ~ 76"	64-3/16" ~ 80-11/16"
DSR213-2330-25			75-3/16" ~ 91-3/4"	79-15/16" ~ 96-7/16"
DSR213-2700-25			89-3/4" ~ 106-5/16"	94-1/2" ~ 111"

DSR423-CONCEALED

- Installed at time of production to prevent door from warping.
- Adjustors installed 60 mm from the top and bottom of the door.
- Fully concealed/hidden door straightener. Recessed mounted under laminate.
- ± 10 mm adjustment can be made from the top of the door with a M4 Allen Key (included).
- Min. door thickness 12mm (1/2").
- Optional mounting holes to secure door straightner to door using 4 M4 (U.S. #8) flathead countersunk wood screws.
- Note: Sold in Boxes of 25 pieces.

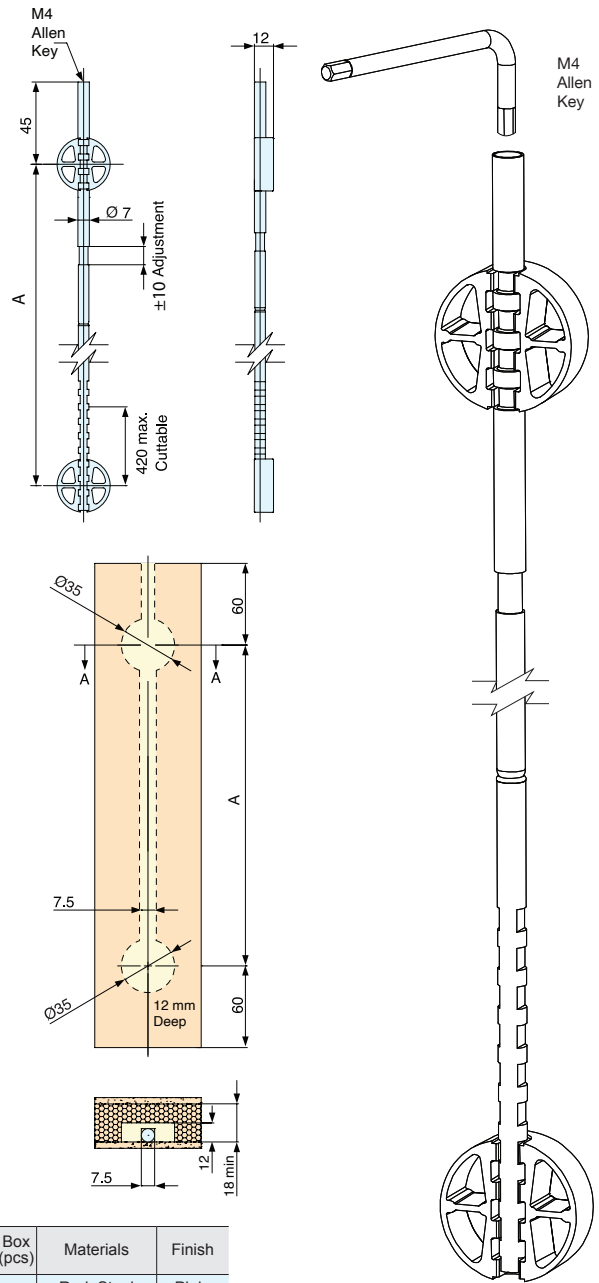


Box (pcs)	Materials	Finish
25	Rod: Steel	Plain
	Adjuster: Zinc	Nickel

Item No.	Min. Door Thickness	Adjust	Center Distance (A)	Door Length
DSR423-1524-25	1/2"	$\pm 3/8$ "	43-7/16" ~ 60"	48-3/16" ~ 64-3/4"
DSR423-1930-25			59-7/16" ~ 176"	64-3/16" ~ 80-11/16"
DSR423-2300-25			74" ~ 90-9/16"	78-3/4" ~ 95-1/4"
DSR423-2700-25			89-3/4" ~ 106-5/16"	94-1/2" ~ 111"

DSR403-CONCEALED

- Installed at time of production to prevent door from warping.
- Adjustors installed 60 mm from the top and bottom of the door.
- Fully Concealed/Hidden Door Straightener. Recess mounted under laminate.
- ± 10 mm adjustment can be made from the top of the door with a M4 Allen Key (included).
- Min. door thickness 18mm (11/16").
- Pressure-fit into place, screws not needed for installation.
- Note: Sold in Boxes of 25 pieces.



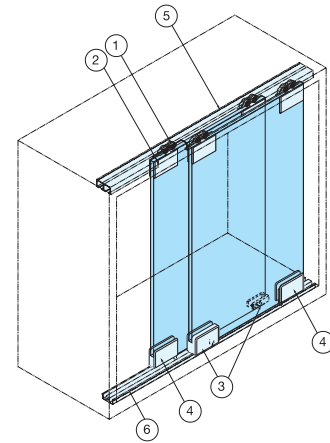
Box (pcs)	Materials	Finish
25	Rod: Steel	Plain
	Adjuster: Zinc	Nickel

Item No.	Min. Door Thickness	Adjust	Center Distance (A)	Door Length
DSR403-1524-25	11/16"	$\pm 3/8$ "	43-7/16" ~ 60"	48-3/16" ~ 64-3/4"
DSR403-1930-25			59-7/16" ~ 176"	64-3/16" ~ 80-11/16"
DSR403-2300-25			74" ~ 90-9/16"	78-3/4" ~ 95-1/4"
DSR403-2700-25			89-3/4" ~ 106-5/16"	94-1/2" ~ 111"

XL-GC SERIES (FOR SLIDING DOORS)



• Installation example: Double bypass doors.
(Refer to order quantity below)



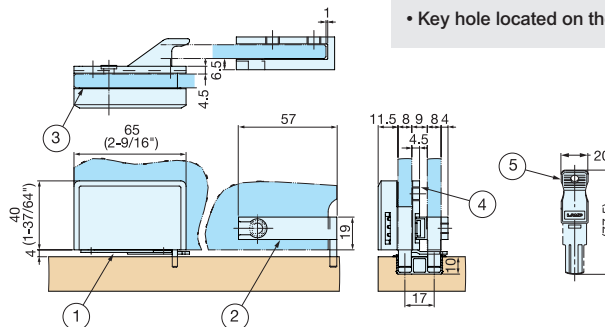
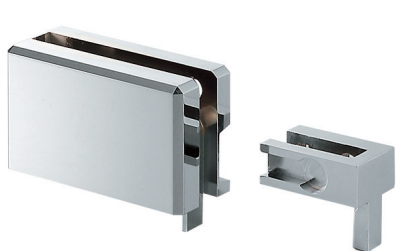
Door Width	Max. 500 mm (19-11/16")
Door Height	Max. 1200 mm (47-1/4")
Door Weight	Max. 12 kg (26.5 lbs) / Per Door
Glass Thickness	8 mm (5/16")

Part Details

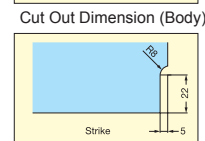
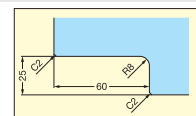
Order Quantity	No.	Item No.	Part Name	Dimensions	Description
4 ea	①	57-3149-071	Upper Roller		<ul style="list-style-type: none"> ● Material Zinc Alloy (Body) Polyacetal (Roller) ● Finish/Color Yellow Zinc Chromate (Body) White (Roller)
1 set	②	XL-GC06-C	Upper Bracket	See P.605	<ul style="list-style-type: none"> ● Material Zinc Alloy ● Finish/Color Chrome <p>*4 pcs per set (for 2 glass doors)</p>
1 ea	③	XL-GC03-C	Lock	See P.605	<ul style="list-style-type: none"> ● Material Zinc Alloy ● Finish/Color Chrome <p>*24 key changes (2 keys Included)</p>
1 pair	④	XL-GC08-C	Bottom Guide Bracket	See P.605	<ul style="list-style-type: none"> ● Material Zinc Alloy ● Finish/Color Chrome <p>*1 pair (Left / Right) per set</p>
1 ea	⑤	XL-GC06-UL1200N	Upper Rail		<ul style="list-style-type: none"> ● Material Aluminum ● Finish/Color Plain <p>*Length: 1200 mm (47-1/4")</p>
1 ea	⑥	XL-GC03-GL 1200	Bottom Rail		<ul style="list-style-type: none"> ● Material ABS ● Finish/Color Black <p>*Length: 1200 mm (47-1/4")</p>

GLASS LOCK (FOR SLIDING DOOR)

XL-GC03



• Key hole located on the side for clean appearance.



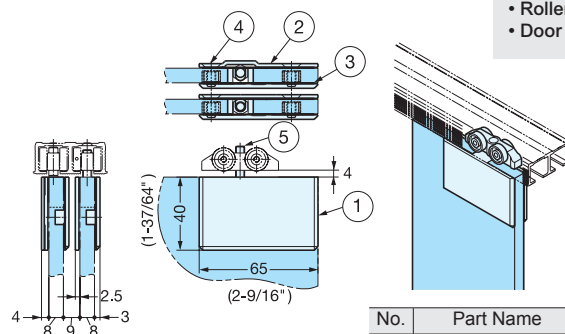
Cut Out Dimension (Strike)

Item No.	Glass Thickness (mm)	Key Changes	Key (pcs)	Weight (g)	Box (pcs)	Carton (pcs)
XL-GC03-C	8 (5/16")	24	2	351	1	24

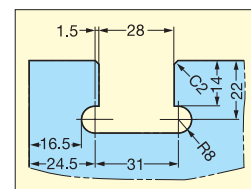
No.	Part Name	Material	Finish/Color
①	Body	Zinc Alloy	Chrome
②	Strike		
③	Spacer	Synthetic Rubber	Black
④	Screws	304 Stainless Steel	Plain
⑤	Key	Brass	Nickel

UPPER BRACKET (FOR SLIDING DOOR)

XL-GC06



• 4 pcs per set
 • Roller (53-3061-081) sold separately.
 • Door Size: Max. W500 x H1200 x t8mm



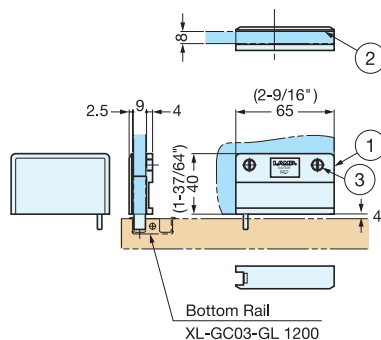
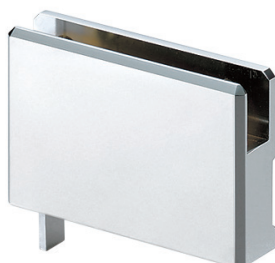
Cut Out Dimension

Item No.	Glass Thickness (mm)	Load Capacity (kg)	Weight (g)	Box (sets)	Carton (sets)
XL-GC06-C	8 (5/16")	12 (26.5 lbs) / Door	400	1	24

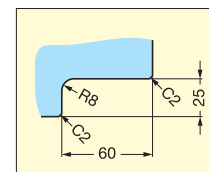
No.	Part Name	Material	Finish/Color
①	Body	Zinc Alloy	Chrome
②	Backplate	Steel	
③	Spacer	Synthetic Rubber	Clear
④	Screws	304 Stainless Steel	Plain
⑤	Bolt	Steel	Clear Zinc Chromate

BOTTOM GUIDE BRACKET (FOR SLIDING DOOR)

XL-GC08



• 1pair (Left / Right) per set



Cut Out Dimension

Item No.	Glass Thickness (mm)	Weight (g)	Box (pairs)	Carton (pairs)
XL-GC08-C	8 (5/16")	360	1	24

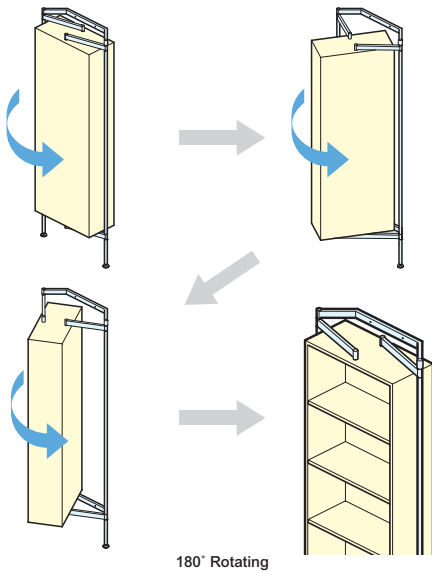
No.	Part Name	Material	Finish/Color
①	Body	Zinc Alloy	Chrome
②	Spacer	Synthetic Rubber	Black
③	Screws	304 Stainless Steel	Plain

180° ROTATING CABINET SYSTEM

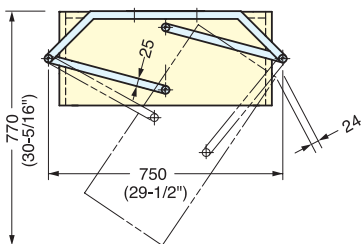
RB-600

SPECIALITY CABINET HARDWARE

180° ROTATING CABINET SYSTEM



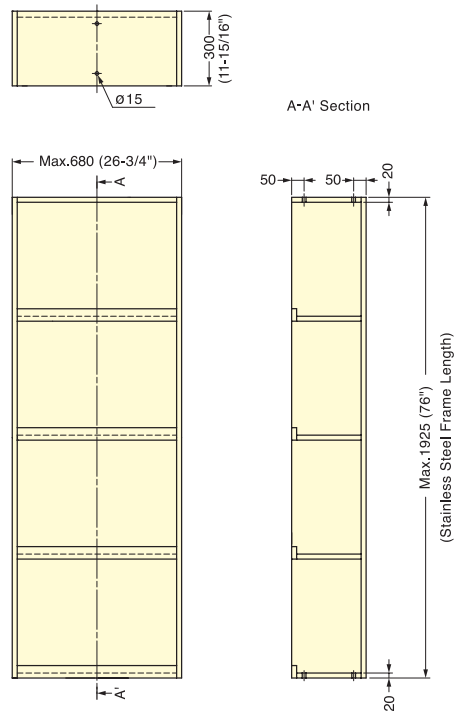
Rotating Clearance



Cabinet Width	Max. 680 mm (26-3/4")
Cabinet Height	Max. 1930 mm (76")
Total Height	RB-600-NC--- Cabinet Height + 230 (9-1/16") RB-600-ST--- Cabinet Height + 435 (17-1/8") RB-600-CH--- Cabinet Height + 600 (26")
Cabinet Depth	300 mm (11-13/16")
Load capacity	Max. 75 kg (165 lbs) **incl. cabinet**

- Innovative "reversible" cabinet system rotates 180° for easy access to both sides.
- 3 model types available: Inset Wall Type (NC), Floor Type (ST), and Floor-to-Ceiling Type (CH).
- Stainless steel frame can be cut to length to accommodate cabinets of various heights.
- Useful for a variety of storage and display installations in residential and retail settings.

Cabinet Preparation



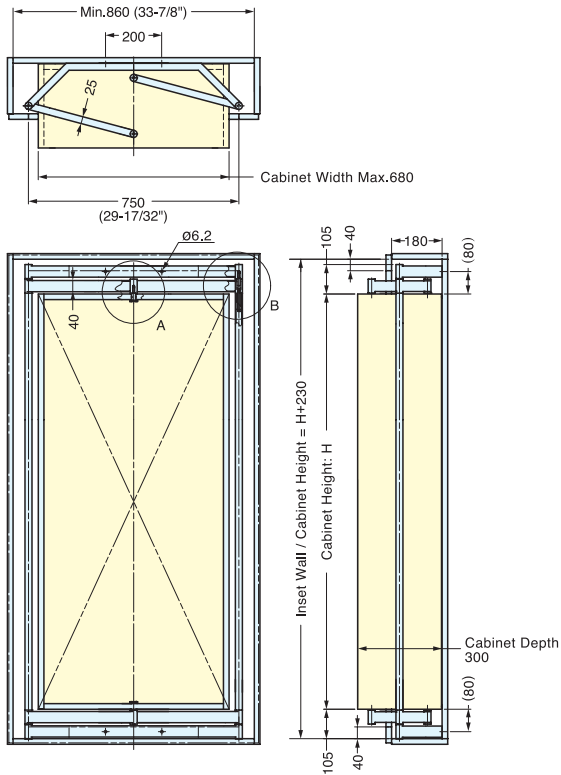
Item No.	Installation	Material/Finish
RB-600-NC	Inset Wall/Cabinet	304 Stainless Steel/Satin
RB-600-ST	Floor	
RB-600-CH	Floor-to-Ceiling	

Assembly Wrench (Sold separately)



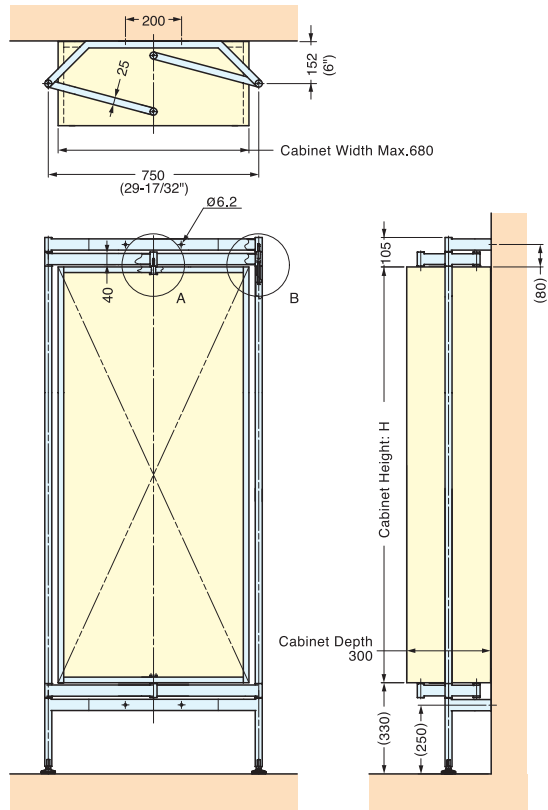
Item No.	Z059
----------	------

■ RB-600-NC, Inset Wall / Cabinet



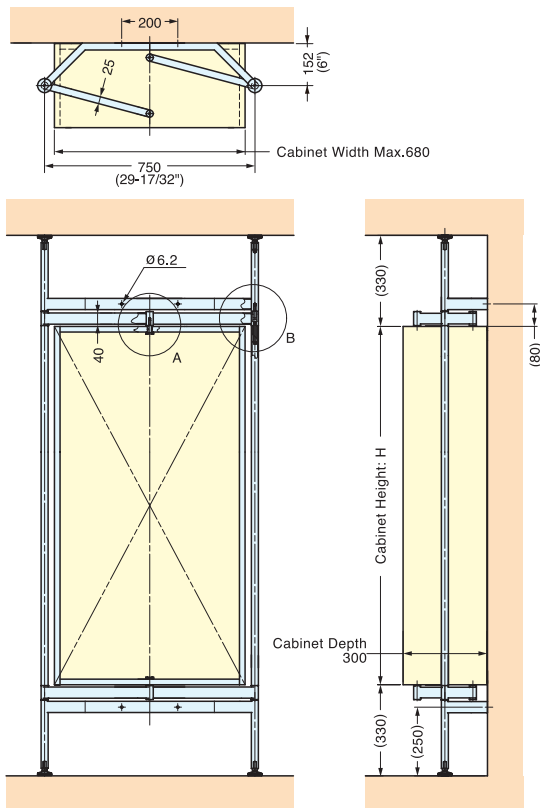
Max. cabinet height: 1925 mm (75-3/4")

■ RB-600-ST, Installation - Floor



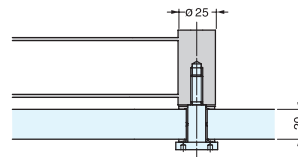
Max. cabinet height: 1925 mm (75-3/4")

■ RB-600-CH, Installation - Floor-to-Ceiling



Max. cabinet height: 1925 mm (75-3/4")

■ Detail-A



■ Detail-B

