



# HOOKS

HOOKS  
LATCH HOOKS  
SWING HOOKS  
HANGER PLATES  
RECESSED HOOKS  
VANITY HOOKS  
MAGNETIC HOOKS  
COAT HOOKS  
PXB HOOK SERIES

Zwei L HOOKS

Picture	Item No.	Load Capacity (lbs)	Page
	ZL-2101  	81	423
	ZL-2102  	66	423
	ZL-2103  	-	424
	ZL-2104  	36~107	424
	ZL-2105  	33	425
	ZL-3401  	45~90	425

LARGE HOOKS

Picture	Item No.	Load Capacity (lbs)	Page
	JF-45, 70, 110  	22~26	426
	JF-50, 80, 120  	26~48	426
	JFT-180, 260  	22~33	427
	XL-CUJ 	30~42	427
	XL-CUF 	33~70	427
	XL-SB210 	Upper Hook: 44 lbs Lower Hook: 83 lbs	428
	XL-SF115 	83	428

SMALL HOOKS

Picture	Item No.	Load Capacity (lbs)	Page
	DS-H-50, 60  	22	429
	KB-H-35, 40  	44	429
	TA-3  	35	429
	XL-HJT  	17.6~22	430
	HJT 	17.6~22	430
	EU  	44~66	430
	EL-25, 30  	44	431

SMALL HOOKS

Picture	Item No.	Load Capacity (lbs)	Page
	EP-25, 40  	44	431
	FC-50, 65  	22~26	431
	RN-50 	20	434
	RI-074 	11	434
	RB-102 	-	434
	HJ  	17.6~22	435
	2H  	13.2~22	435
	HJU 	17.6~22	435
	4HJU-40M 	33.7	435.1
	5HJU-60M 	44.9	435.1
	KB-F-70 	-	436
	KB-F-75 	-	436
	TY  	6.6~17.6	437
	TF 	6.6~26	437
	TL  	11~26	437
	PF	4.4	438
	CH 	11~17.6	438

LATCH HOOKS

Picture	Item No.	Load Capacity (lbs)	Page
	EN-R100F 	132	432
	EN-R80-K  	44	432
	EN-K  	44~132	433
	EN-R80  	44	433
	WH 	33	433



SWING HOOKS

Picture	Item No.	Load Capacity (lbs)	Page
	JF-T  	22	439
	JN-T100 	88	439
	HK-TS, HK-TT 	22.5-58.4	439,1
	TK, TKF 	17~26	440
	TZ-360 	6.6~13.2	440
	DZ-270 	6.6~17.6	440
	RF-D35 	11.7~23.4	441
	RF-U50 	13	441
	RF-50  	6.6	441
	XL-JSF40TT 	110	442
	UC 	12~14	442
	UJ  	14~19	442

HANGER PLATES

Picture	Item No.	Load Capacity (lbs)	Page
	AP 	22	443
	SP 	22	443

RECESSED HOOKS

Picture	Item No.	Load Capacity (lbs)	Page
	NF-60	44	444
	NF-60D	66	444
	NF-R52, R64, R77	44	445

VANITY HOOKS / MAGNET HOOKS

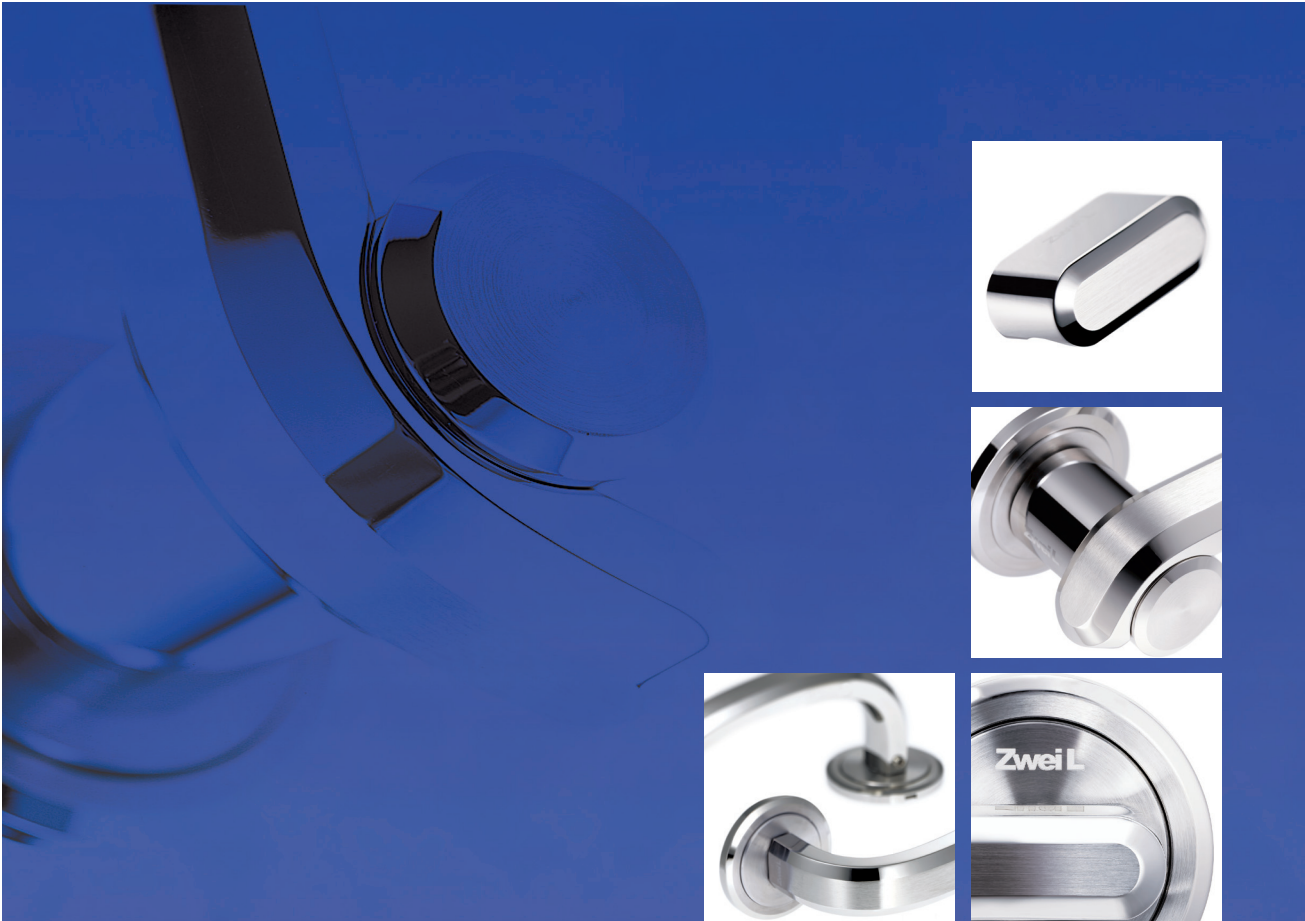
Picture	Item No.	Load Capacity (lbs)	Page
	SSF	12.8	446
	MJ-45	4.4	446

COAT HOOKS

Picture	Item No.	Load Capacity (lbs)	Page
	DSH-01 	22	447
	DSH-04 	22	447
	DSH-05 	22	447
	DSH-02 	22	448
	DSH-03 	22	448
	DSH-129 	22	449
	DSH-P5 	22	449
	EW-65E  	44	449

RECESSED HOOKS

Picture	Item No.	Load Capacity (lbs)	Page
	PXB-GR05-111	22	450
	PXB-GR05-211	22	450
	PXB-GN05-101	9	451
	PXB-GN05M-101 (mag)	2.4	451
	PXB-GN05-111	18	452
	PXB-WM05-111	22	452
	PXB-UM05-101	22	453
	PXB-UM05-101-Q1	22	453
	PXB-AB05	22	454
	PXB-AC05-111	44	454
	PXB-AS05-111	19.8	455
	PXB-LE05-111	25	455
	PXB-BN05	18.7~ 33	455,1
	HK-FH	22~33	455,2
	HK-LB	33.7	455,2



# Zwei L<sup>®</sup>





# Zwei L Hook



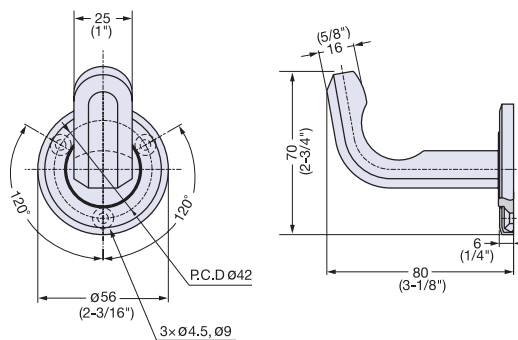
# ZL-2101

HOOKS

Zwei L HOOKS



• Supplied with stainless steel wood screws (4.1 × 32) and concrete anchor (for wood screw 4.1, ø6 mm hole).



Item No.	Material	Finish/Color	Load Capacity (kg)	Weight (g)	Box (pcs)
ZL-2101	316 Stainless Steel	Zwei L	37 (81 lbs)	381	1

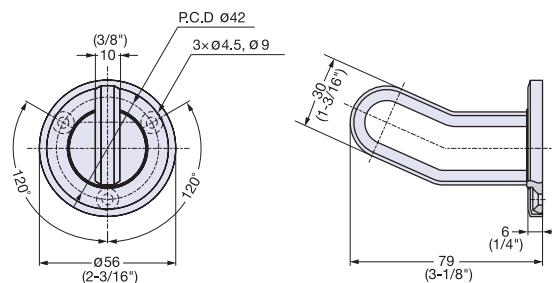
# Zwei L Hook



# ZL-2102



• Supplied with stainless steel wood screws (4.1 × 32) and concrete anchor (for wood screw 4.1, ø6 mm hole).



Item No.	Material	Finish/Color	Load Capacity (kg)	Weight (g)	Box (pcs)
ZL-2102	316 Stainless Steel	Zwei L	30 (66 lbs)	221	1

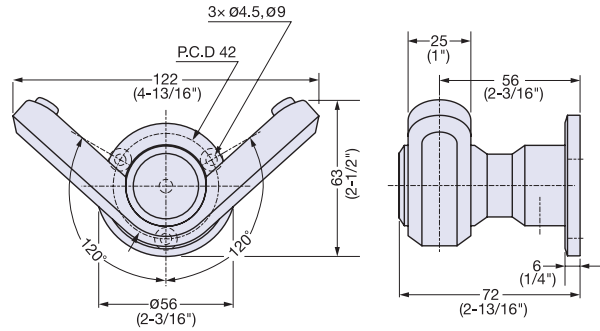
## Zwei L Hook



ZL-2103



- Supplied with stainless steel wood screws (4.1 × 32), anchor plug and 3 mm allen key.



Item No.	Weight (g)	Box (pcs)
ZL-2103	841	1

No.	Part Name	Material	Finish/Color
①	Hook	316 Stainless Steel	Zwei L
②	Cover		
③	Pin		
④	Base Plate		Plain
⑤	Cap	Silicone Rubber	Clear
⑥	Screws	316 Stainless Steel	Plain

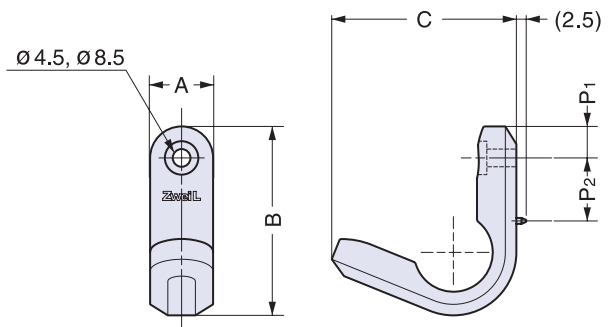
## Zwei L Hook



ZL-2104



- Supplied with stainless steel wood screw (4.1 × 32).



Part Name	Material	Finish/Color
Body	316 Stainless Steel	Zwei L

Item No.	A	B	C	P <sub>1</sub>	P <sub>2</sub>	Load Capacity (kg)	Weight (g)	Box (pcs)
ZL-2104-10	10 (3/8")	29 (1-1/8")	29 (1-1/8")	5	7	16.3 ( 36 lbs )	-	1
ZL-2104-16	16 (5/8")	47 (1-7/8")	47 (1-7/8")	8	10	48.4 (107 lbs)	-	1



# Zwei L Hook



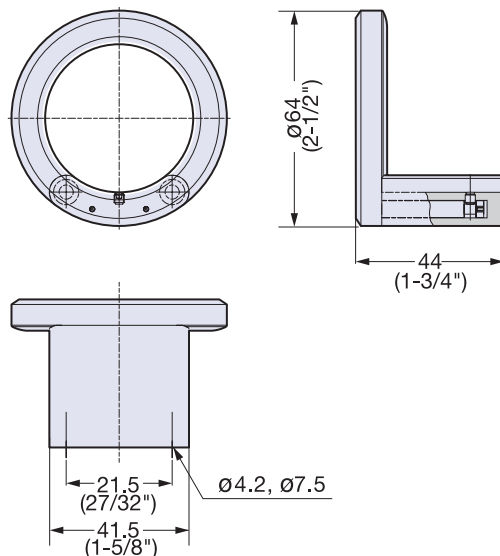
## ZL-2105

HOOKS

Zwei L HOOKS



• Supplied with stainless steel wood screws (4 × 50).



Item No.	Material	Finish/Color	Load Capacity (kg)
ZL-2105	316 Stainless Steel	Zwei L	15 (33 lbs)

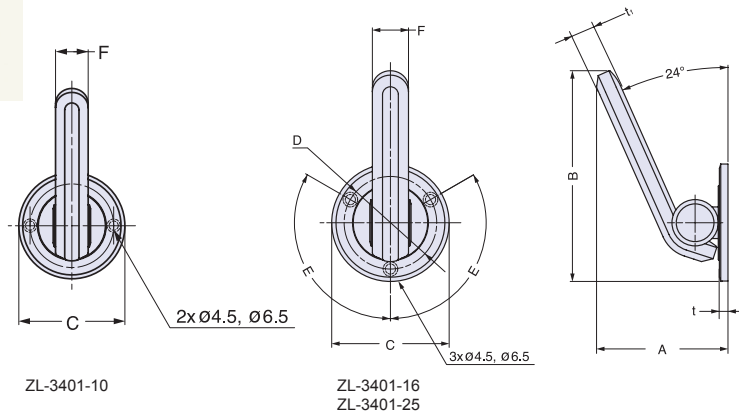
# Zwei L Hook



## ZL-3401



• Supplied with stainless steel wood screws (4 × 30).

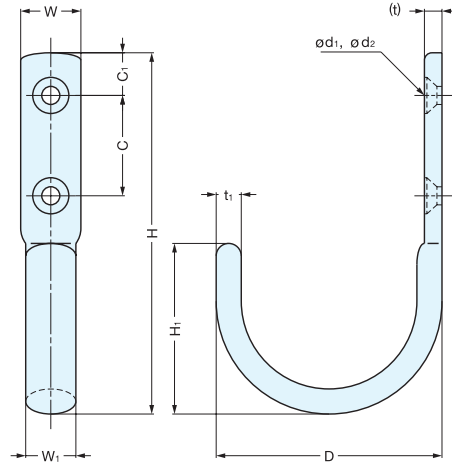


Item No.	Material	Finish Color	A	B	C	D	E	F	t	t <sub>1</sub>	Load Capacity (kg)
ZL-3401-10	316 Stainless Steel	Zwei L	36.7 (1-7/16")	60 ( 2-3/8" )	37 (1-7/16")	24.5	90°	10 (13/32")	3.8	6	20.4 (45 lbs)
ZL-3401-16			58.0 (2-9/32")	93 (3-21/32")	52 (2-1/16")	41.0	120°	6 ( 5/8" )	3.8	10	30.6 (67 lbs)
ZL-3401-25			91.0 (3-9/16")	145 (5-23/32")	80 ( 3-1/8" )	65.0		25 ( 1" )	6.0	16	40.8 (90 lbs)

LARGE UTILITY HOOK



JF-45, 70, 110



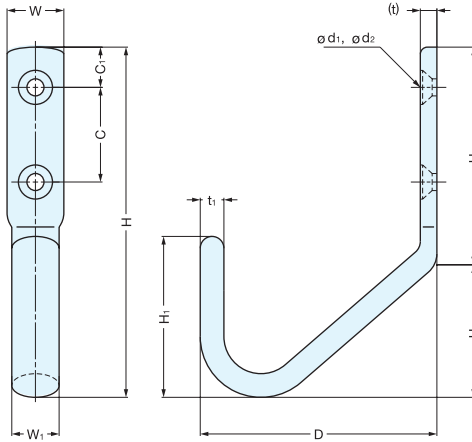
Material	Finish
303 Stainless Steel	Mirror

Item No.	D	W	W <sub>1</sub>	H	H <sub>1</sub>	C	C <sub>1</sub>	t	t <sub>1</sub>	d <sub>1</sub>	d <sub>2</sub>	Load Capacity (kg)	Weight (g)	Box (pcs)	Carton (pcs)	Screw
JF- 45	45 ( 1-25/32" )	12	10	72 ( 2-27/32" )	34	20	8.5	3.5	5	3.8	7.2	10 (22 lbs)	40	20	120	3.5 × 16
JF- 70	68 ( 2-11/16" )	16	13	120 ( 4-23/32" )	55	35	15.0	4.0	6	4.3	8.6		95	6	36	4.1 × 20
JF-110	110 ( 4-21/64" )	18	14	200 ( 7-7/8" )	90	70	17.0	5.5	8	5.3	10.6	12 (26 lbs)	270	5	30	5.1 × 32

LARGE UTILITY HOOK

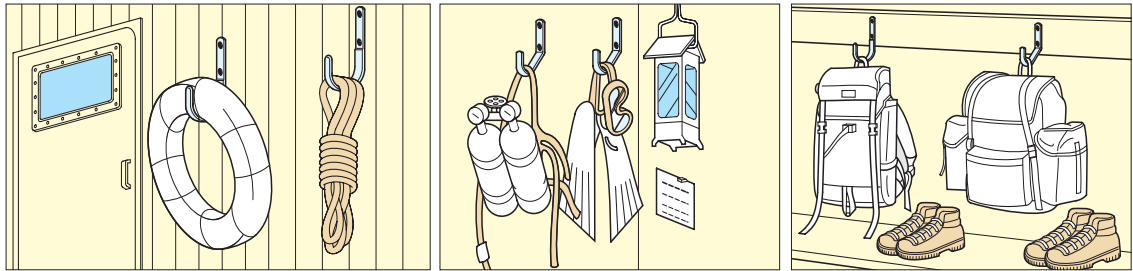


JF-50, 80, 120



Material	Finish
303 Stainless Steel	Mirror

Item No.	D	W	W <sub>1</sub>	H	H <sub>1</sub>	H <sub>2</sub>	H <sub>3</sub>	C	C <sub>1</sub>	t	t <sub>1</sub>	d <sub>1</sub>	d <sub>2</sub>	Load Capacity (kg)	Weight (g)	Box (pcs)	Carton (pcs)	Screw
JF- 50	50 ( 1-31/32" )	12	10	74 ( 2-29/32" )	34	46	28	20	8.5	3.5	5	3.8	7.2	12 ( 26 lbs )	40	20	120	3.5 × 16
JF- 80	80 ( 3-5/32" )	16	13	115 ( 4-17/32" )	50	65	50	30	15.0	4.0	6	4.3	8.6	20 ( 44 lbs )	95	6	36	4.1 × 20
JF-120	120 ( 4-23/32" )	18	14	200 ( 7-7/8" )	90	112	88	70	17.0	5.5	8	5.3	10.6	22 ( 48 lbs )	260	5	30	5.1 × 32



Installation





# LARGE HOOK



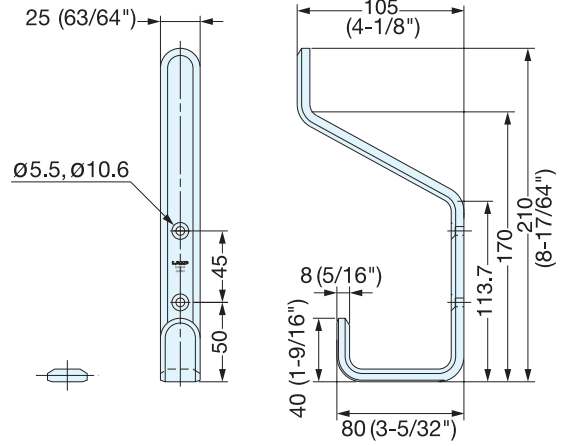
# XL-SB210



Mirror

Satin

- Stainless steel hook with dimensional design.
- Two-in-one hook.



Item No.	Load Capacity (kg)		Weight (g)	Box (pcs)	Carton (pcs)
	Upper	Lower			
XL-SB210/M	20 (44 lbs)	38 (83 lbs)	500	2	20
XL-SB210/S					

Material	Finish
304 Stainless Steel	Mirror (M), Satin (S)

# LARGE HOOK



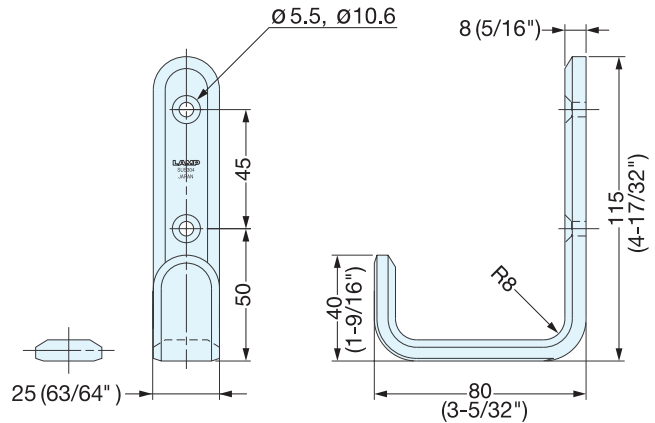
# XL-SF115



Mirror

Satin

- Stainless steel hook with dimensional design.



Item No.	Load Capacity (kg)	Weight (g)	Box (pcs)	Carton (pcs)
XL-SF115/M	38 (83 lbs)	280	4	40
XL-SF115/S				

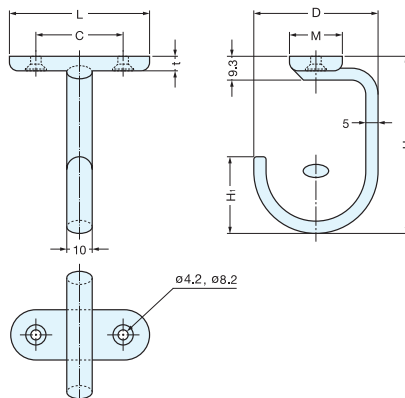
Material	Finish
304 Stainless Steel	Mirror (M), Satin (S)



HOOK



DS-H-50, 60



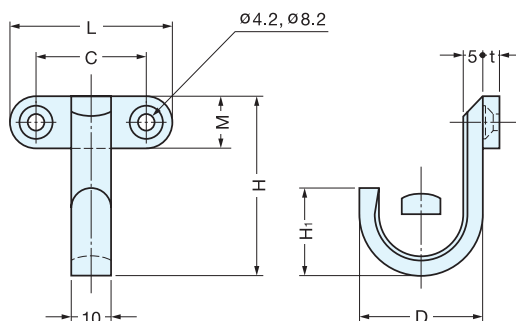
Material	Finish
303 Stainless Steel	Mirror

Item No.	D	C	H	H <sub>1</sub>	L	M	t	Load Capacity (kg)	Weight (g)	Box (pcs)
DS-H-50	50	35	70 ( 2-3/4" )	30	55 ( 2-5/32" )	20	6	10 (22 lbs)	100	5
DS-H-60	60		100 ( 3-15/16" )	40					105	

HOOK



KB-H-35, 40



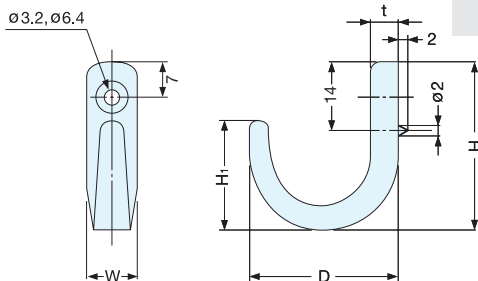
Material	Finish
303 Stainless Steel	Mirror

Item No.	D	C	H	H <sub>1</sub>	L	M	t	Load Capacity (kg)	Weight (g)	Box (pcs)
KB-H-35	35	27	45 ( 1-25/32" )	22	40 ( 1-37/64" )	13	4	20 (44 lbs)	50	10
KB-H-40	40		50 ( 1-31/32" )	25					55	

HOOK



TA-3



• Anti-rotation pin prevents hook from turning.

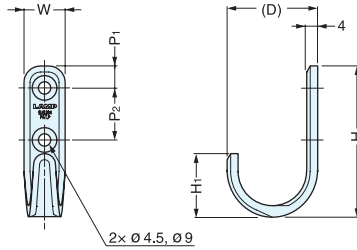
Material	Finish
304 Stainless Steel	Mirror

Item No.	D	W	H	H <sub>1</sub>	t	Load Capacity (kg)	Weight (g)	Box (pcs)	Carton (pcs)
TA-3S	22 ( 7/8" )	9	29 ( 1-9/64" )	16	4.0	16 (35 lbs)	10	30	600
TA-3L	30 ( 1-3/16" )	10	34 ( 1-11/32" )	22	5.5		19	20	400

# HOOK



# XL-HJT



- 304 stainless steel hooks.
- Available in Mirror (M) or Combination of Mirror and Satin (TT) finish.

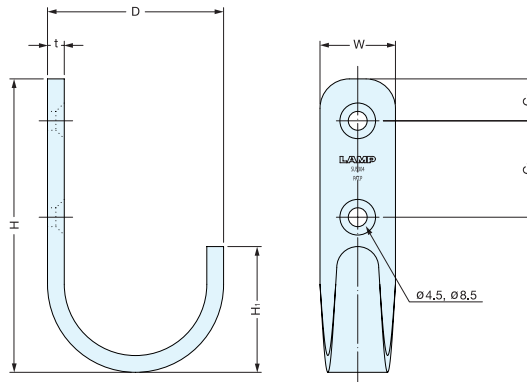
Item No.	D	W	H	H <sub>1</sub>	P <sub>1</sub>	P <sub>2</sub>	Load Capacity (kg)	Weight (g)	Box (pcs)	Carton (pcs)
XL-HJT-55/M	33	15.0	55	23	8	19	20 (44.0 lbs)	34	30	300
XL-HJT-55/TT		15.5								
XL-HJT-70/M	43	18.0	70	30	10	23	15 (33.0 lbs)	53	20	200
XL-HJT-70/TT		18.5								

Material	Finish	
	M	TT
304 Stainless Steel	Mirror	Mirror and Satin Combination

# HOOK



# HJT



- 4mm thick material designed for excellent durability.

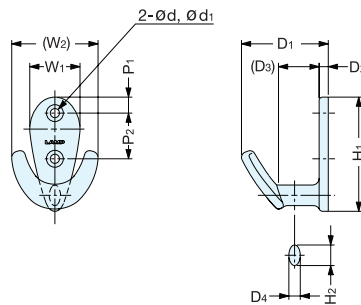
Item No.	D	H	H <sub>1</sub>	t	W	C <sub>1</sub>	C <sub>2</sub>	Load Capacity (kg)	Weight (g)	Box (pcs)	Carton (pcs)
HJT-55	33	55	23	4	15	8	19	10 (22.0 lbs)	34	30	300
HJT-70	43	70	30	4	18	10	23	8 (17.6 lbs)	53	20	200

Material	Finish
304 Stainless Steel	Satin

# FORK HOOK



# EU



- Hook with unique design.
- Can hang 3 items at the same time: two on the tips and one on the neck.
- Two-tip shape ideal to hang hats, caps etc.

Item No.	W <sub>1</sub>	(W <sub>2</sub> )	D <sub>1</sub>	D <sub>2</sub>	(D <sub>3</sub> )	D <sub>4</sub>	H <sub>1</sub>	H <sub>2</sub>	d	d <sub>1</sub>	P <sub>1</sub>	P <sub>2</sub>
EU-50	22	38 ( 1-1/2" )	38 ( 1-1/2" )	4	17.8	5	50 (1-31/32")	9	4	7.4	7	20
EU-72	32	56 (2-13/64")	52 (2-3/64")	6	23.0	8	72 (2-53/64")	14	4.6	8.6	10	34

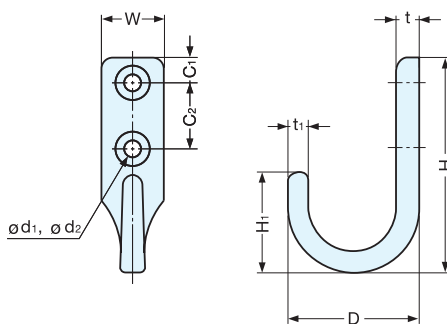
Item No.	Load Capacity (kg)	Weight (g)	Box (pcs)	Carton (pcs)
EU-50	20 (44 lbs)	42	20	120
EU-72	30 (66 lbs)	118	10	60

Material	Finish
316 Stainless Steel	Mirror

# HOOK



EL-25, 30



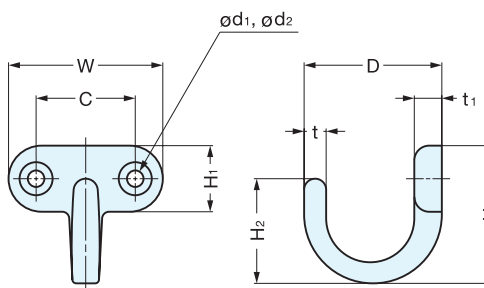
Material	Finish
304 Stainless Steel	Mirror

Item No.	D	H	H <sub>1</sub>	t	t <sub>1</sub>	W	C <sub>1</sub>	C <sub>2</sub>	d <sub>1</sub>	d <sub>2</sub>	Load Capacity (kg)	Weight (g)	Box (pcs)	Carton (pcs)	Screw
EL-25	26 ( 1-1/32" )	40 ( 1-37/64" )	19	5.5	4	12	5	12	3	6	20 ( 44 lbs )	19	30	300	2.7 × 16
EL-30	32 ( 1-17/64" )	54.5 ( 2-9/64" )	25	6.0	5	15	6	16	4	8		32	20	200	3.8 × 20

# HOOK



EP-25, 40



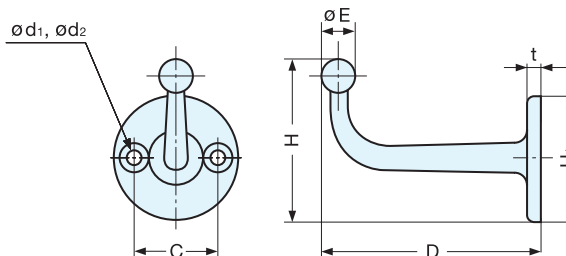
Material	Finish
304 Stainless Steel	Mirror

Item No.	D	W	H	H <sub>1</sub>	H <sub>2</sub>	t	t <sub>1</sub>	C	d <sub>1</sub>	d <sub>2</sub>	Load Capacity (kg)	Weight (g)	Box (pcs)	Carton (pcs)	Screw
EP-25	25 ( 63/64" )	28	25 ( 63/64" )	12	19	4	5	18	3	6	20 ( 44 lbs )	16	30	300	2.7 × 16
EP-40	32 ( 1-17/64" )	36	33 ( 1-19/64" )	16	25	5	6	23	4	8		31	20	200	3.8 × 20

# HOOK



FC-50, 65



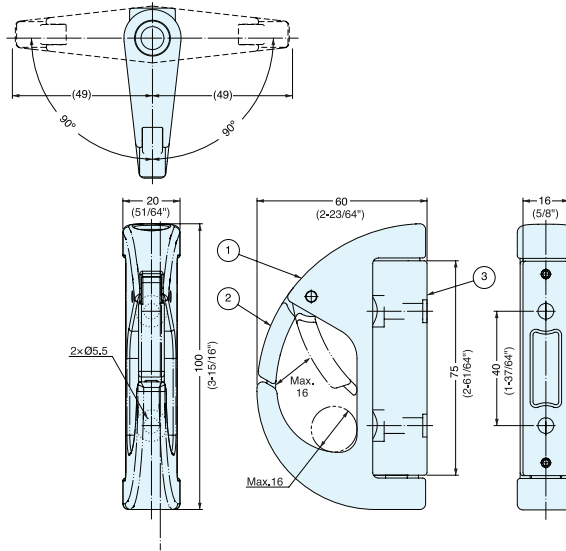
Material	Finish
304 Stainless Steel	Mirror

Item No.	D	H	H <sub>1</sub>	t	C	d <sub>1</sub>	d <sub>2</sub>	E	Load Capacity (kg)	Weight (g)	Box (pcs)	Carton (pcs)	Screw
FC-50	47 ( 1-27/32" )	37 ( 1-29/64" )	28	3	18.5	3.3	6.5	6.5	10(22 lbs)	25.0	40	480	3.1 × 16
FC-65	65 ( 2-9/16" )	44 ( 1-47/64" )	35	4	22.5	4.2	8.0	8.0	12(26 lbs)	54.5	20	240	3.8 × 20

# LATCH HOOK



# EN-R100F



- Keeps items hooked, ideal for vibration or shock applications.
- Swivels 180 degrees.

Item No.	Load Capacity (kg)	Weight (g)	Box (pcs)	Carton (pcs)	Material	Finish
EN-R100F	60 (132 lbs)	350	10	50	316 Stainless Steel	Polished

# LATCH HOOK (W/PADLOCK HOLE)



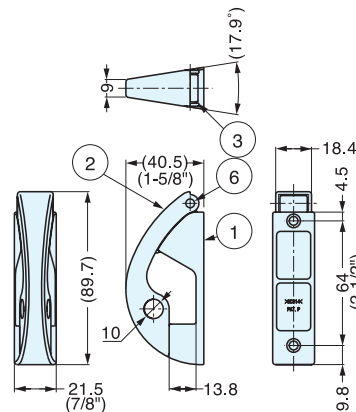
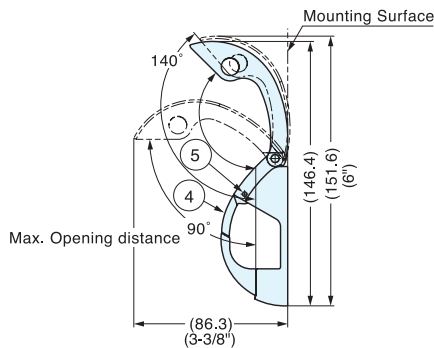
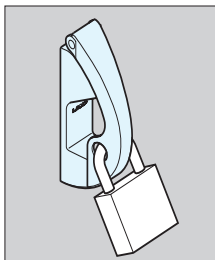
# EN-R80-K



Closed



Open



- Keeps items hooked, ideal for vibration or shock applications.
- Can be used with padlock.

No.	Part Name	Material	Finish
①	Body	304 Stainless Steel	Mirror
②	Cover	316 Stainless Steel	Mirror
③	O ring	EPDM	Black
④	Lever	304 Stainless Steel	Mirror
⑤	Shaft	316 Stainless Steel	Plain
⑥	Shaft for cover		

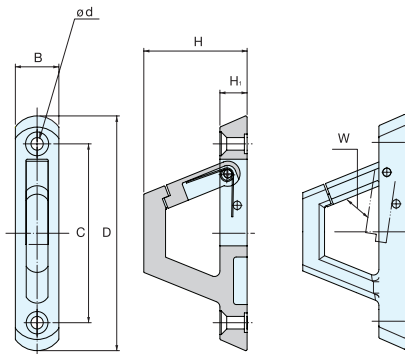
Item No.	Load Capacity (kg)	Weight (g)	Box (pcs)	Carton (pcs)
EN-R80-K	20 (44 lbs)	180	10	60



# LATCH HOOK



EN-K



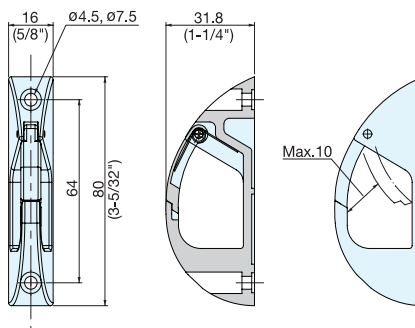
• Keeps items hooked, ideal for vibration or shock applications.

Item No.	D	C	B	H	H <sub>1</sub>	d	W	Load Capacity (kg)		Weight (g)	Box (pcs)	Carton (pcs)	Material	Finish
								Hook	Arm					
EN-K 84	84 (3-5/16")	64	16 (5/8")	38 (1-1/2")	10 (25/64")	4.5, 8.5	Max.10	20 (44 lbs)	10 (22 lbs)	92	10	120	316 Stainless Steel	Polished
EN-K120	120 (4-23/32")	96	22 (7/8")	54 (2-1/8")	12 (15/32")	5.4, 10.5	Max.20	60 (132 lbs)		280		60		

# LATCH HOOK



EN-R80



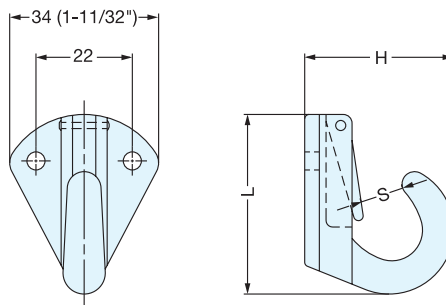
• Keeps items hooked, ideal for vibration or shock applications.

Item No.	Load Capacity (kg)		Weight (g)	Box (pcs)	Carton (pcs)	Material	Finish
	Hook	Arm					
EN-R80	20 (44 lbs)	10 (22 lbs)	85	10	120	316 Stainless Steel	Polished

# LATCH HOOK



WH



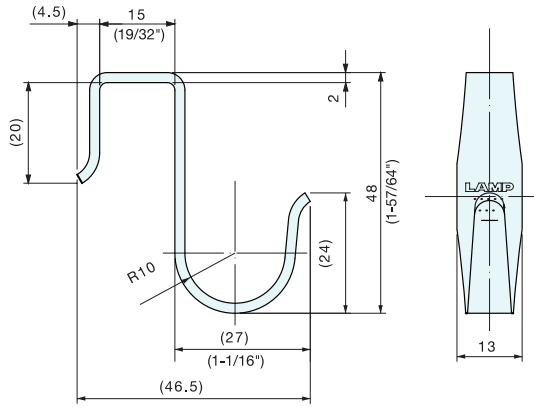
• Keep items hooked, ideal for vibration or shock applications.

Item No.	L	H	S	Load Capacity (kg)	Weight (g)	Box (pcs)	Carton (pcs)	Material	Finish
WH-2	41 (1-39/64")	34 (1-11/32")	10	55					

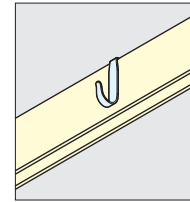
# HOOK



# RN-50



• Designed for use on partitions.



Installation

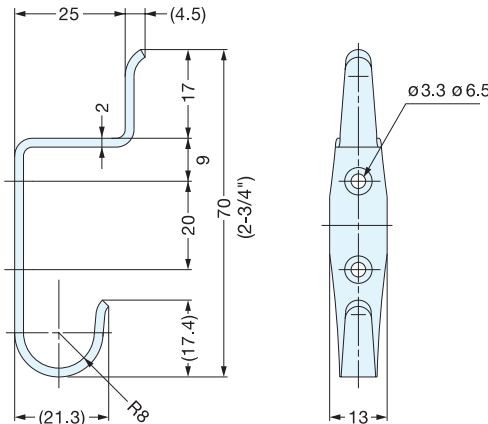
Item No.	Load Capacity (kg)	Weight (g)	Box (pcs)	Carton (pcs)
RN-50	9.4 (20 lbs)	17	40	400

Material	Finish
304 Stainless Steel	Satin

# DOUBLE HOOK



# RI-074



• Unique two-in-one hook.

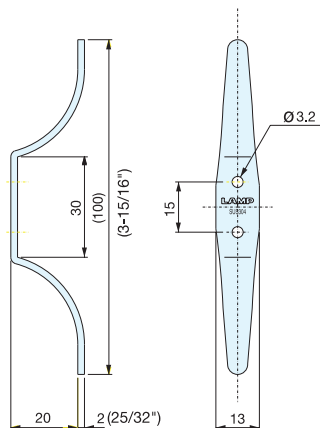
Item No.	Load Capacity (kg)	Weight (g)	Box (pcs)	Carton (pcs)
RI-074	5 (11 lbs)	16	40	400

Material	Finish
304 Stainless Steel	Satin

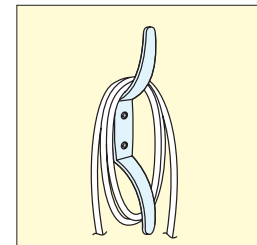
# DOUBLE HOOK



# RB-102



• Can be used as a light duty tie up cleat.



Installation

Item No.	Weight (g)	Box (pcs)	Carton (pcs)
RB-102	16	40	400

Material	Finish
304 Stainless Steel	Satin

# HOOK

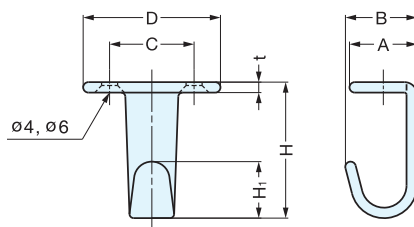


# HJ

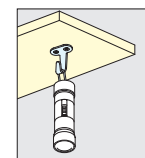


HJ-50

HJ-30SBL



• Ideal for undermount applications.



Installation

Material	Finish
304 Stainless Steel	Satin/Black (BL)

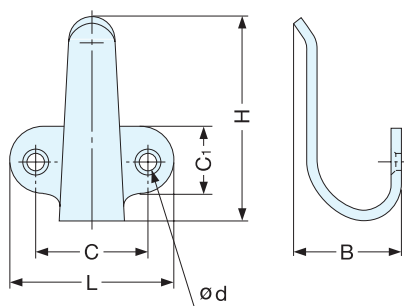
Item No.	D	C	H	H <sub>1</sub>	A	B	t	Load Capacity (kg)	Weight (g)	Box (pcs)	Carton (pcs)
HJ-20	28.0 (1-3/32")	18	27.0 (1-11/16")	11.0	13	17 (43/64")	2.5	10 (22.0 lbs)	11	120	1200
HJ-20SBL								8 (17.6 lbs)			
HJ-30*	33.0 (1-9/32")	20	32.5 (1-9/32")	13.5	16	22 (7/8")	2.5	10 (22.0 lbs)	30	40	800
HJ-30SBL								8 (17.6 lbs)			
HJ-50*	43.5 (23/32")	30	47.0 (1-27/32")	19.6	21	22 (7/8")	2.5	10 (22.0 lbs)	30	40	800
HJ-50SBL								8 (17.6 lbs)			

\* NSF Component

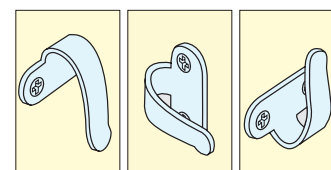
# HOOK



# 2H



• Unique design, also can be used as a pull.



Installation

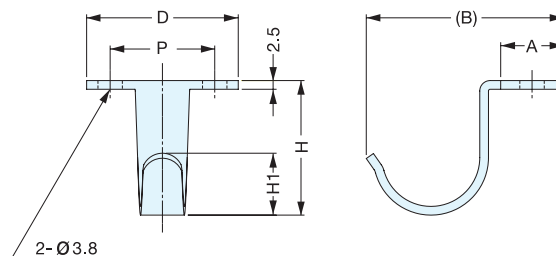
Material	Finish
304 Stainless Steel	Satin

Item No.	L	C	C <sub>1</sub>	H	B	d	Load Capacity (kg)	Weight (g)	Box (pcs)	Carton (pcs)	Screw
2H-20	28.0 (1-3/32")	18.0	10	30 (1-3/16")	18	4.62	10 (22.0 lbs)	13	120	1200	3.1 × 16
2H-30	32.5 (1-09/32")	20.0	13	39 (1-17/32")	18	4.62		18	100	1000	
2H-40	35.0 (1-3/8")	21.5	16	44 (1-47/64")	23	4.70	6 (13.2 lbs)	23	80	800	3.5 × 16
2H-50	43.0 (1-11/16")	30.0	18	56 (2-13/64")	25			34	50	500	

# HOOK



# HJU



Material	Finish
304 Stainless Steel	Satin

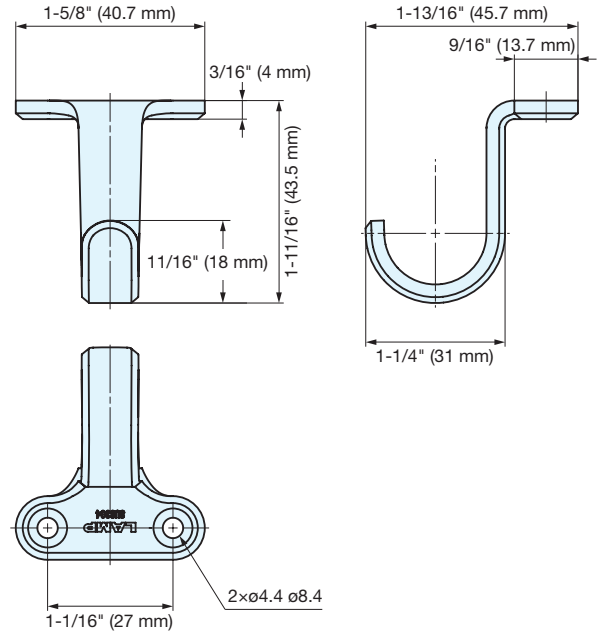
Item No.	D	P	H	H <sub>1</sub>	A	B	Load Capacity (kg)	Weight (g)	Box (pcs)	Carton (pcs)
HJU-30S	32.5 (1-9/32")	20 (25/32")	25.0 (63/64")	13	13	41.8	8 (17.6 lbs)	15	30	600
HJU-50S	43.5 (1-45/64")	30 (1-11/64")	38.5 (1-33/64")	18	18	59.0	10 (22.0 lbs)	30	40	800

# UNDERMOUNT HOOK



## 4HJU-40M

• Chamfered edges prevent injury.



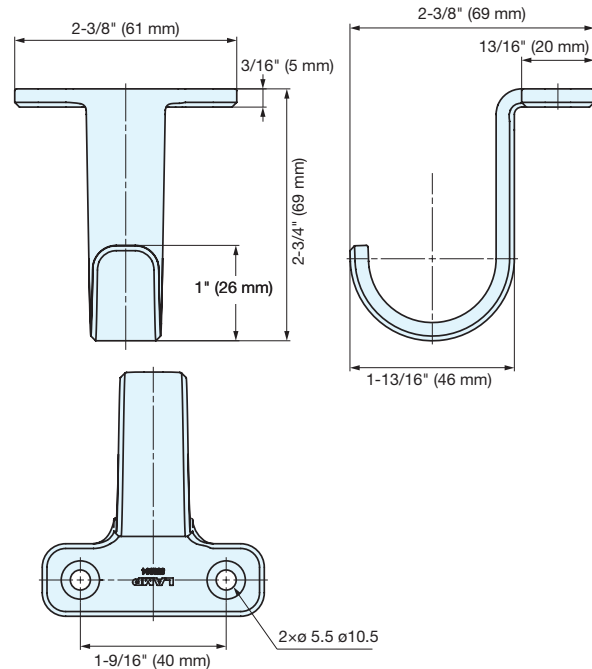
Item No.	Material	Finish	Load Capacity kgf	Weight (g)
4HJU-40M	304 Stainless Steel	Mirror	15.3 (33.7 lbs)	42.5

# UNDERMOUNT HOOK



## 5HJU-60M

• Chamfered edges prevent injury.



Item No.	Material	Finish	Load Capacity kgf	Weight (g)
5HJU-60M	304 Stainless Steel	Mirror	20.4 (44.9 lbs)	130



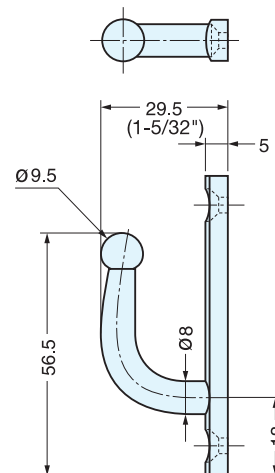
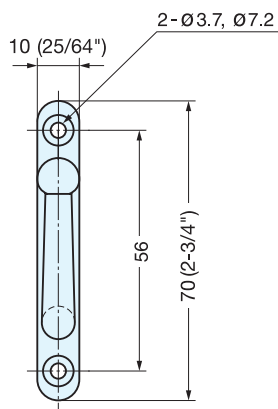
# CURTAIN TIE BACK HOOK

STAINLESS  
304  
STEEL

STAINLESS  
303  
STEEL

3.5x20  
STAINLESS

KB-F-70



Item No.	Weight (g)	Box (pcs)	Carton (pcs)	Part Name	Material	Finish
KB-F-70	46	5	50	Mounting plate	304 Stainless Steel	Polished
				Hook	303 Stainless Steel	

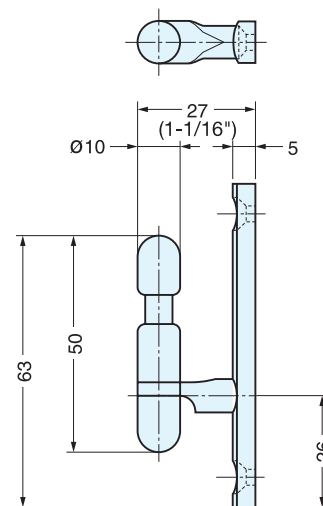
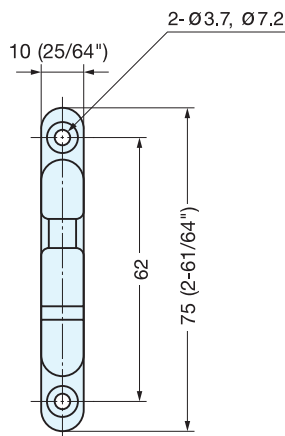
# CURTAIN TIE BACK HOOK

STAINLESS  
304  
STEEL

STAINLESS  
303  
STEEL

3.5x20  
STAINLESS

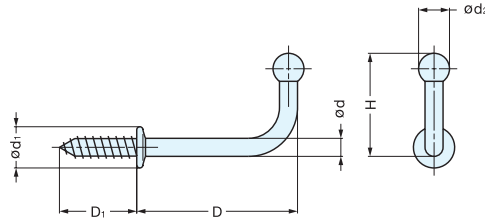
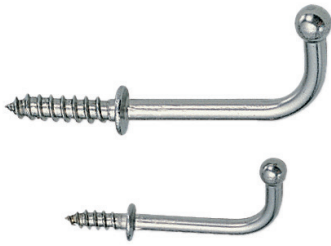
KB-F-75



Item No.	Weight (g)	Box (pcs)	Carton (pcs)	Part Name	Material	Finish
KB-F-75	56	5	50	Mounting plate	304 Stainless Steel	Polished
				Hook	303 Stainless Steel	

WIRE HOOK

NSF COMPONENT | RoHS COMPATIBLE | STAINLESS 304 STEEL | LOAD CAPACITY 3-8 kg 6.6-17.6 lbs | TEST 4 P.696 | TY

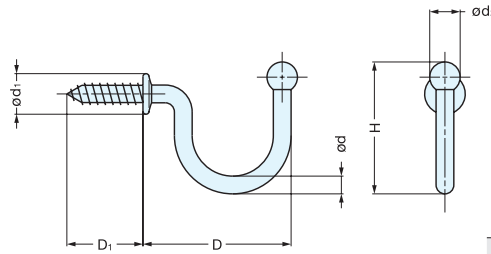
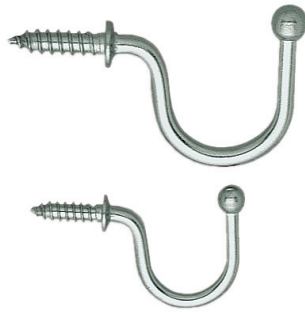


Material	Finish
304 Stainless Steel	Polished

Item No.	D	D <sub>1</sub>	H	d	d <sub>1</sub>	d <sub>2</sub>	Load Capacity (kg)	Weight (g)	Box (pcs)	Carton (pcs)
TY-20	21.8 ( 55/64" )	11	14 ( 35/64" )	2.7	6.5	4.5	3 ( 6.6 lbs )	1.5	200	7200
TY-25	27.0 ( 1-1/16" )	13	17 ( 43/64" )	3.0	7.0	5.0		3.0		
TY-30	31.2 ( 1-7/32" )	15	20 ( 25/32" )	3.5	8.0	6.0	7 ( 15.4 lbs )	5.0	100	3600
TY-35-15	36.5 ( 1-7/16" )	15	23 ( 29/32" )	4.0	9.0	6.5		7.0		
TY-40-15	43.5 ( 1-23/32" )		27 ( 1-1/16" )	4.5	10.0	7.5	11.0	900		

WIRE HOOK

RoHS COMPATIBLE | STAINLESS 304 STEEL | LOAD CAPACITY 3-12 kg 6.6-26 lbs | TEST 4 P.696 | TF

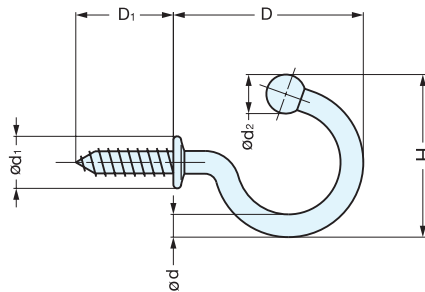
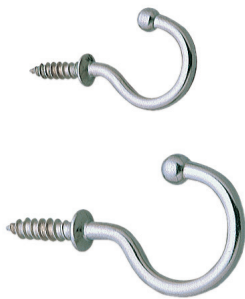


Material	Finish
304 Stainless Steel	Polished

Item No.	D	D <sub>1</sub>	H	d	d <sub>1</sub>	d <sub>2</sub>	Load Capacity (kg)	Weight (g)	Box (pcs)	Carton (pcs)
TF-20	20.8 ( 13/16" )	11	20 ( 25/32" )	2.7	6.5	4.5	3 ( 6.6 lbs )	3.0	200	7200
TF-30	29.2 ( 1-5/32" )	15	26 ( 1-1/32" )	3.5	8.0	6.0	7 ( 15.4 lbs )	5.5	100	1800
TF-35	40.5 ( 1-19/32" )	20	35 ( 1-3/8" )	4.5	10.0	7.5	12 ( 26.0 lbs )	13.5	50	900

WIRE HOOK

RoHS COMPATIBLE | STAINLESS 304 STEEL | LOAD CAPACITY 5-12 kg 11-26 lbs | TEST 4 P.696 | TL



Material	Finish
304 Stainless Steel	Polished

Item No.	D	D <sub>1</sub>	H	d	d <sub>1</sub>	d <sub>2</sub>	Load Capacity (kg)	Weight (g)	Box (pcs)	Carton (pcs)
TL-15	16.8 ( 21/32" )	11	15 ( 19/32" )	2.7	6.5	4.5	5 ( 11 lbs )	1.9	200	7200
TL-20	22.8 ( 29/32" )		20 ( 25/32" )					2.1		
TL-30	29.2 ( 1-5/32" )	15	25 ( 63/64" )	3.5	8.0	6.0		50	900	
TL-40	40.5 ( 1-19/32" )	20	34 ( 1-11/32" )	4.5	10.0	7.5	12 ( 26 lbs )	13.5	50	900

# HOOK

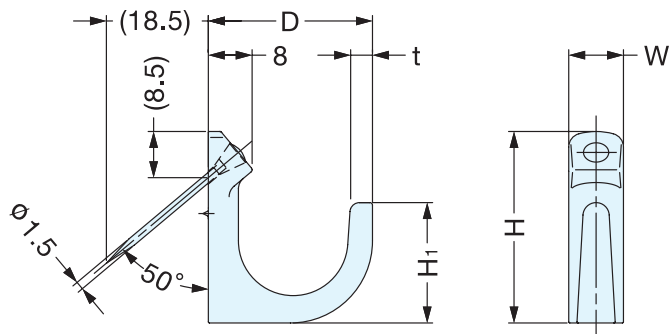


PF

• For Dry Wall Mount.



Pin/Stainless Steel  $\phi 1.5$



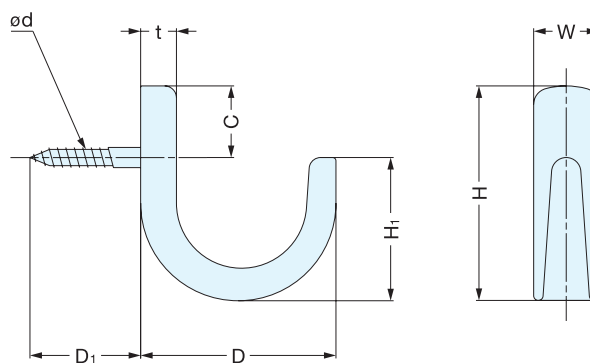
Material	Finish/Color
304 Stainless Steel	Mirror

Item No.	D	W	H	H <sub>1</sub>	t	Load Capacity (kg)	Weight (g)	Box (pcs)	Carton (pcs)
PF-22	22	9	30	16	3	2 (4.4 lbs)	13	20	200
PF-30	30	10	35	22	4		23		

# HOOK



CH



Material	Finish/Color
304 Stainless Steel	Mirror

Item No.	D	D <sub>1</sub>	W	H	H <sub>1</sub>	d	C	t	Load Capacity (kg)	Weight (g)	Box (pcs)	Carton (pcs)
CH-S	22 ( 7/8" )	17	9	27 ( 1-1/16" )	15	3.1	9	4	5 (11.0 lbs)	10.0	30	600
CH-L	30 ( 1-3/16" )		10	33 ( 1-19/64" )	22		11	5	8 (17.6 lbs)	18.5	20	400

# SWING HOOK (W/FRICTION)

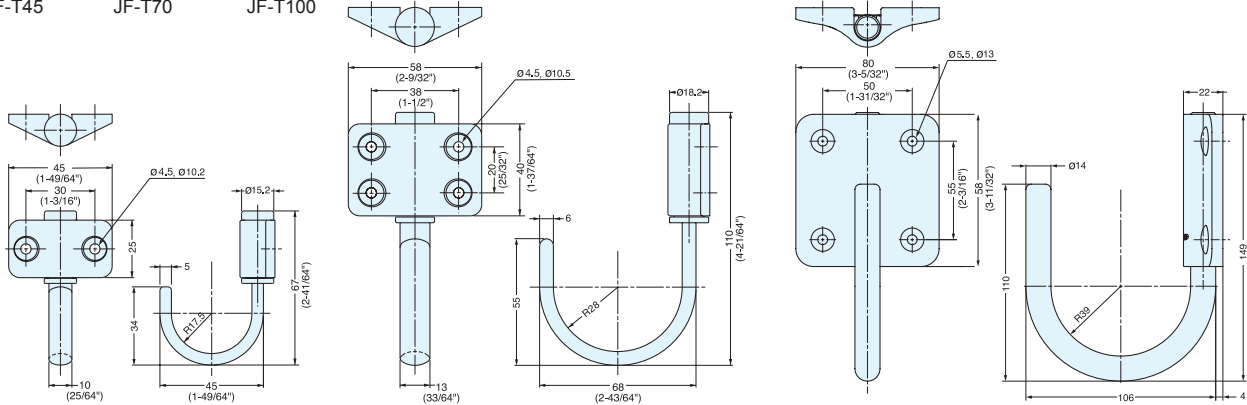
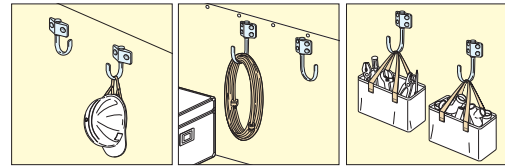


JF-T



JF-T45      JF-T70      JF-T100

- Swivels 180 degrees.
- Hook has constant torque when swiveling.
- Ideal for vibration or shock applications.



Item No.	Load Capacity (kg)	Weight (g)	Box (pcs)	Carton (pcs)
JF-T45	17 (37 lbs)	90	10	100
JF-T70	17 (37 lbs)	225	10	100
JF-T100	40 (88 lbs)	638	5	20

Material	Finish
304 Stainless Steel	Mirror

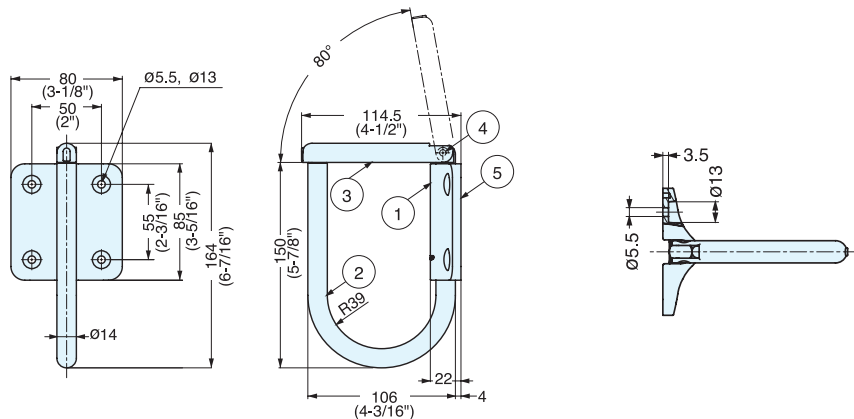
# LARGE SWING LATCH HOOK (W/FRICTION)



JN-T100



- Swivels 180 degrees.
- Hook has constant torque when swinging.
- Ideal for vibration or shock applications.



Item No.	Load Capacity (kg)	Weight (g)	Box (pcs)	Carton (pcs)
JN-T100	40 (88 lbs)	780	5	20

No.	Part Name	Material	Finish
①	Strike	304 Stainless Steel	Mirror
②	Hook	303 Stainless Steel	
③	Arm	304 Stainless Steel	
④	Shaft	303 Stainless Steel	Plain
⑤	Back Plate	304 Stainless Steel	

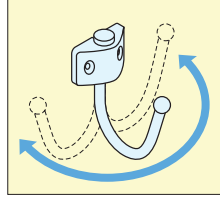
# STAINLESS STEEL FRICTION TYPE LARGE HOOK



## HK-TS

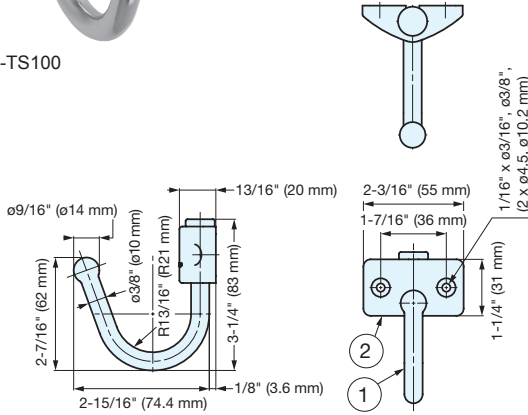


HK-TS70

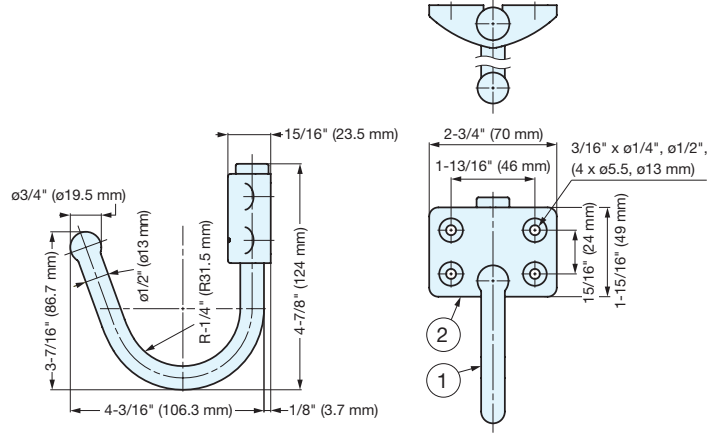


- Hook swivels 180°.
- Friction prevents unintended swivelling caused by vibrations.
- Ball shaped tip prevents injury.
- Double-hook type (HK-TT) is also available.

HK-TS100



HK-TS70



HK-TS100

Item No.	Load Capacity (kg)	Weight (g)
HK-TS70	22.5 lbs (10.2)	230
HK-TS100	58.4 lbs (26.5)	550

No.	Part Name	Material	Finish
①	Hook	304 Stainless Steel	Polished
②	Mount	Stainless Steel	

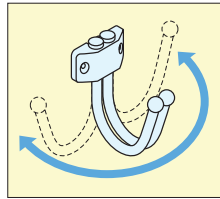
# STAINLESS STEEL FRICTION TYPE DOUBLE LARGE HOOK



## HK-TT

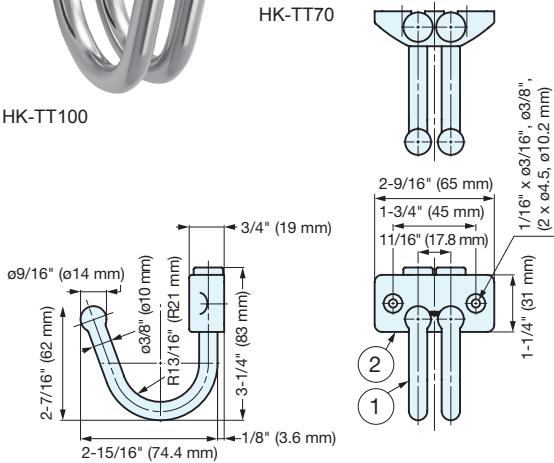


HK-TT70

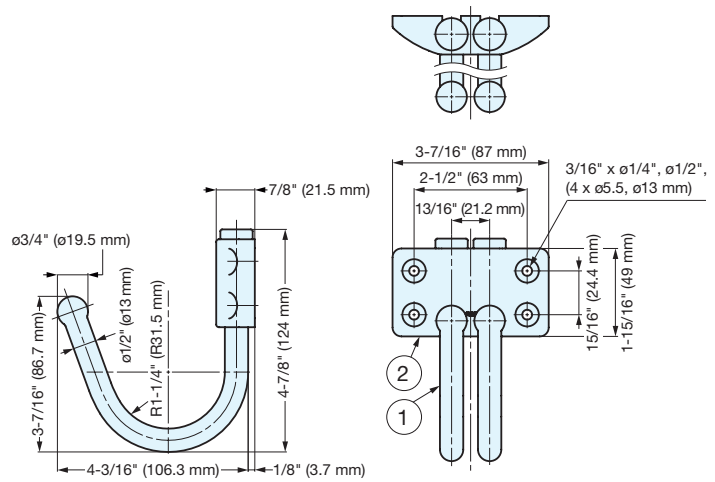


- Hook swivels 180°.
- Friction prevents unintended swivelling caused by vibrations.
- Ball shaped tip prevents injury.
- Single-hook type (HK-TS) is also available.

HK-TT100



HK-TT70



HK-TT100

Item No.	Load Capacity (kg)	Weight (g)
HK-TT70	22.5 lbs (10.2)	260
HK-TT100	58.4 lbs (26.5)	600

No.	Part Name	Material	Finish
①	Hook	304 Stainless Steel	Polished
②	Mount	Stainless Steel	

\* Load capacity values are for one side only.



# Decorative & Utility Hooks

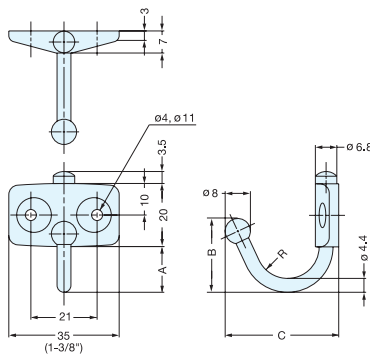


Sugatsune offers one of the most extensive line-up of decorative, wall, cabinet and utility hooks of any manufacture. Explore all of our decorative hooks undermount hooks, latch hooks, swing hooks, hanger plates, and even magnetic hooks and rubber hooks. Regardless of their application, our utility and decorative hooks for hanging are designed for convenience helping professionals to create spaces that maximize storage space without sacrificing their creative vision.

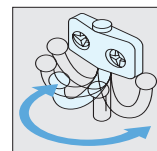
# SWING HOOK



# TK, TKF



- Swivels 180 degrees.
- Type "F" models have constant torque when swiveling.
- Ideal for vibration or shock applications.



Installation

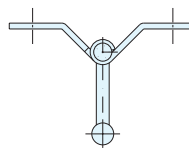
Material	Finish
304 Stainless Steel	Polished

Item No.	Type	A	B	C	R	Load Capacity (kg)	Weight (g)	Box (pcs)	Carton (pcs)
TK-30	Without Friction	14.5	23.4 ( 59/64" )	36.0 ( 1-27/64" )	10	12 ( 26 lbs )	17	100	1000
TK-45	Without Friction	19.4	28.4 ( 1-1/8" )	44.3 ( 1-3/4" )	15	8 ( 17 lbs )	20		
TK-30F	With Friction	14.5	23.4 ( 59/64" )	36.0 ( 1-27/64" )	10	12 ( 26 lbs )	17	100	1000
TK-45F	With Friction	19.4	28.4 ( 1-1/8" )	44.3 ( 1-3/4" )	15	8 ( 17 lbs )	20		

# BUTTERFLY HOOK

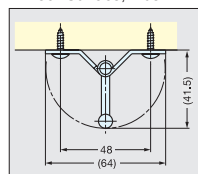


# TZ-360

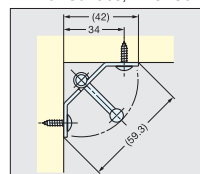


- Hinged flap allows flush or corner mount.
- Applicable angle: 90°~270°

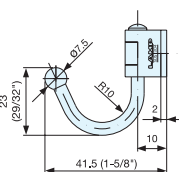
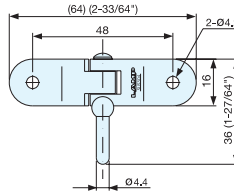
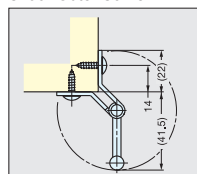
A. 180° Surface, Flush



B. 270° Surface, Inner Corner



C. 90° Outer Corner



Material	Finish
304 Stainless Steel	Polished

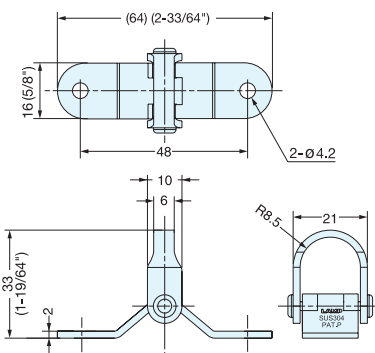
Installation

Item No.	Load Capacity A (kg)	Load Capacity B (kg)	Load Capacity C (kg)	Weight (g)	Box (pcs)	Carton (pcs)
TZ-360	6 (13.2 lbs)	5.6 (12.3 lbs)	3 (6.6 lbs)	27	50	500

# BUTTERFLY HOOK

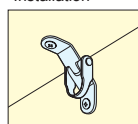


# DZ-270

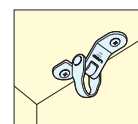


- Eyelet swivels for various installation applications.
- Hinged leaves for flush or corner mount.
- Includes 1/2" (M4 x 12) long screws.

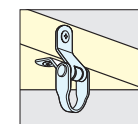
Installation



A. 270° Surface, Inner Corner



B. 180° Surface, Flush



C. 90° Outer Corner

Material	Finish
304 Stainless Steel	Polished

Item No.	Load Capacity A (270°)		Load Capacity B (180°)		Load Capacity C (90°)		Weight (g)	Box (pcs)	Carton (pcs)
	Horizontal	Vertical	Horizontal	Vertical	Horizontal	Vertical			
DZ-270	5.6 kg (12.3 lbs)	6 kg (13.2 lbs)	6 kg (13.2 lbs)	8 kg (17.6 lbs)	3 kg (6.6 lbs)	8 kg (17.6 lbs)	29	50	500

EYE HOOK



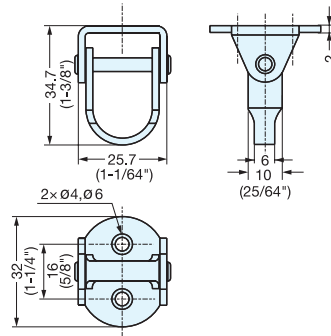
RF-D35



(A) Horizontal



(B) Vertical



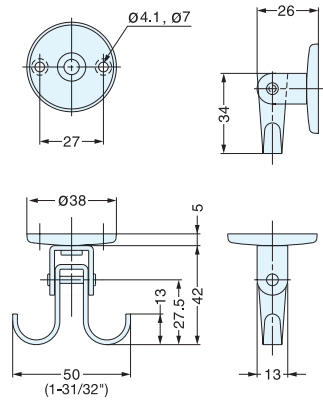
- Eyelet swivels for various installation applications.
- Can be mounted horizontally to walls or under-mounted for vertical applications.
- Includes 5/8" (M3.5 × 16) long screws.

Item No.	Load Capacity (kg)	Weight (g)	Box (pcs)	Carton (pcs)	Material	Finish
RF-D35	(A) 5.3 ( 11.7 lbs ) (B) 10.6 ( 23.4 lbs )	27	50	400	304 Stainless Steel	Satin

ROTATING/SWING HOOK



RF-U50



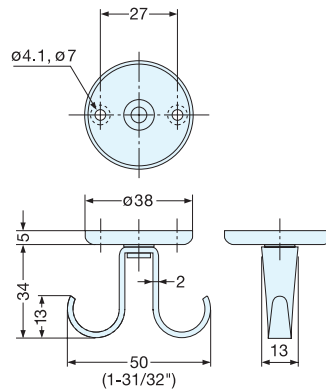
- Rotates 360° and swings 180°.
- Can be mounted in various directions.

Item No.	Load Capacity (kg)	Weight (g)	Box (pcs)	Carton (pcs)	Material	Finish
RF-U50	6.1 ( 13 lbs )	40	25	250	304 Stainless Steel	Satin

ROTATING HOOK



RF-50



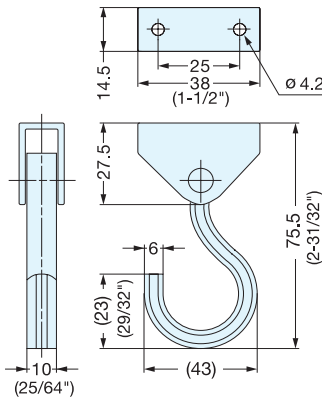
- Rotates 360°.
- Can be mounted in various directions.

Item No.	Load Capacity (kg)	Weight (g)	Box (pcs)	Carton (pcs)	Material	Finish
RF-50	3 ( 6.6 lbs )	33	25	500	304 Stainless Steel	Satin

# SWING HOOK



# XL-JSF40TT



• Vertical swivel allows for under mount applications.

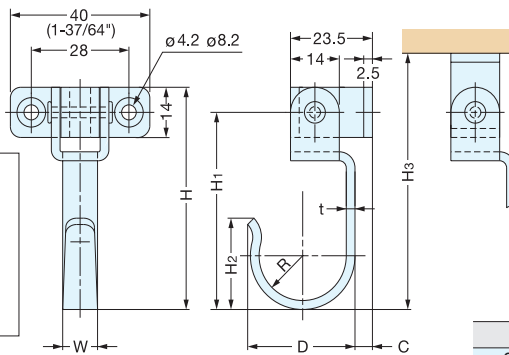
Item No.	Load Capacity (kg)	Weight (g)	Box (pcs)	Carton (pcs)
XL-JSF40TT	50 ( 110 lbs )	70	20	120

Part Name	Material	Finish
Hook	303 Stainless Steel	Mirror/Satin Combination
Bracket	304 Stainless Steel	

# SWING HOOK



# UC



• Vertical swivel allows for under mount applications.

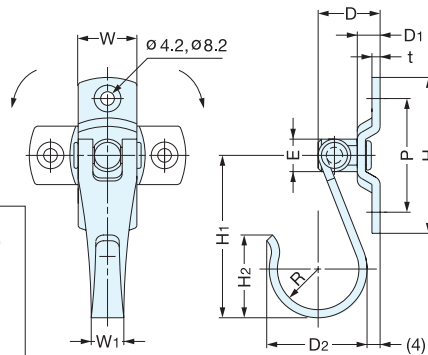
Material	Finish
304 Stainless Steel	Satin

Item No.	W	D	H	H <sub>1</sub>	H <sub>2</sub>	H <sub>3</sub>	C	R	t	Load Capacity (kg)	Weight (g)	Box (pcs)	Carton (pcs)
UC-048	<sup>9</sup> / <sub>(23/64")</sub>	(24.9) ( 63/64" )	55 (2-11/64")	48 (1-57/64")	(21.4) (27/32")	64.5	6.5	10.0	2.0	5.6 (12 lbs)	37	40	400
UC-055	<sup>10</sup> / <sub>(25/64")</sub>	(30.8) (1-7/32")	62 (2-7/16")	55 (2-11/64")	(25.5) (57/64")	71.5	5.0	12.5	2.5	6.7 (14 lbs)	45	25	250

# SWING HOOK



# UJ



• Rotates 360° and swivels 180°.  
• Can be mounted in various directions.

Material	Finish
304 Stainless Steel	Satin

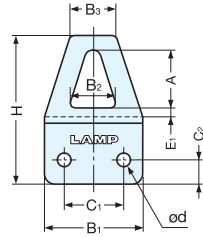
Item No.	W	W <sub>1</sub>	D	D <sub>1</sub>	D <sub>2</sub>	H	H <sub>1</sub>	H <sub>2</sub>	P	E	R	t	Load Capacity (kg)	Weight (g)	Box (pcs)	Carton (pcs)
UJ-040	16	( 9 )	16.5	5.5	(24.9) ( 63/64" )	42	40 (1-37/64")	(21.4)	30	ø 9	10.0	2.0	6.7 (14 lbs)	27	50	500
UJ-050	18	(10)	19.0	7.0	(30.8) (1-7/32")	48	50 (1-31/32")	(25.5)	35	ø10	12.5	2.5	8.9 (19 lbs)	45	30	300



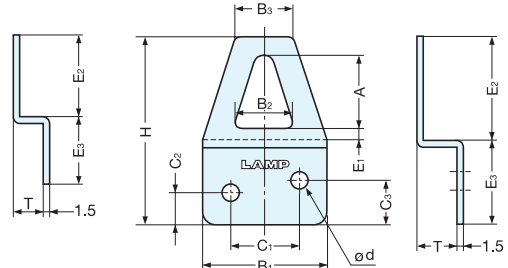
# HANGER PLATE



AP



AP-20



AP-25, 32

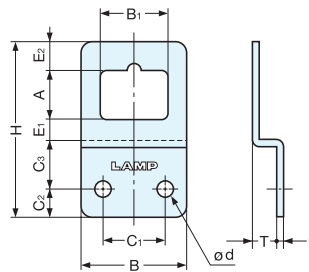
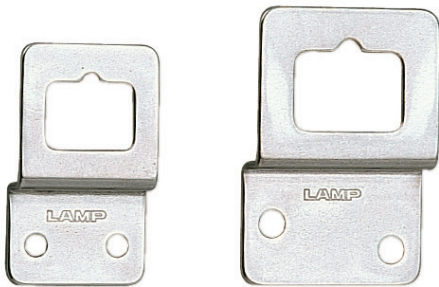
Material	Finish
304 Stainless Steel	Polished

Item No.	B <sub>1</sub>	B <sub>2</sub>	B <sub>3</sub>	H	A	C <sub>1</sub>	C <sub>2</sub>	C <sub>3</sub>	d	E <sub>1</sub>	E <sub>2</sub>	E <sub>3</sub>	T	Load Capacity (kg)	Weight (g)	Box (pcs)	Carton (pcs)	Screw
AP-20	20 ( 25/32" )	9.2	9.2	30.4 ( 1-3/16" )	11.8	12	5.0	-	2.8	2.0	16.8	13.6	6	10 (22 lbs)	6	100	1000	2.7 × 13
AP-25	25 ( 63/64" )	11.5	11.5	37.5 ( 1-15/32" )	14.7	14	6.5	9	3.3	2.5	20.5	17.0	8		10			3.1 × 16
AP-32	32 ( 1-17/64" )	14.8	14.8	47.0 ( 1-27/32" )	17.2	18	8.0	12	4.2	3.2	24.5	22.5	10		16			3.5 × 16

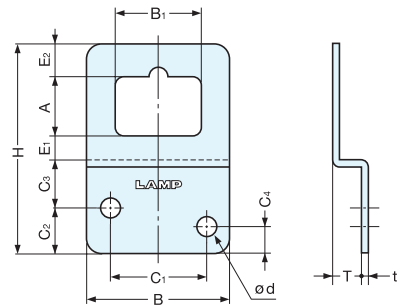
# HANGER PLATE



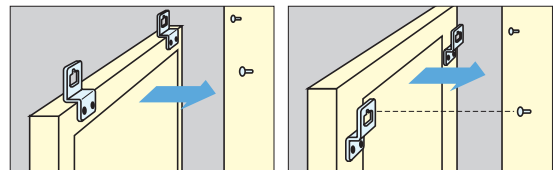
SP



SP-17, 22



SP-30



Material	Finish
304 Stainless Steel	Polished

Item No.	B	B <sub>1</sub>	H	A	C <sub>1</sub>	C <sub>2</sub>	C <sub>3</sub>	C <sub>4</sub>	d	E <sub>1</sub>	E <sub>2</sub>	T	t	Load Capacity (kg)	Weight (g)	Box (pcs)	Carton (pcs)	Screw
SP-17	17 ( 43/64" )	10.5	28.5 ( 1-1/8" )	7	8	4.5	9.5	-	2.7	3.5	4	4	1.2	10 (22 lbs)	4	200	1000	2.7 × 13
SP-22	22 ( 7/8" )	14.0	36.5 ( 1-7/16" )	10	13	6.0	10.0	-	3.3	4.5	6	5	1.5		8			3.1 × 16
SP-30	30 ( 1-3/16" )	18.0	43.5 ( 1-23/32" )	12	20	9.5	10.0	5.5	4.2	5.0	7	6	1.5		13			3.5 × 16



# RECESSED HOOK

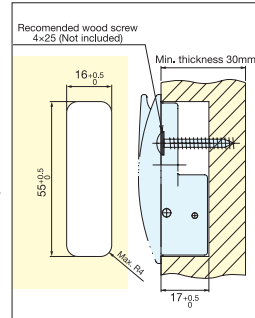
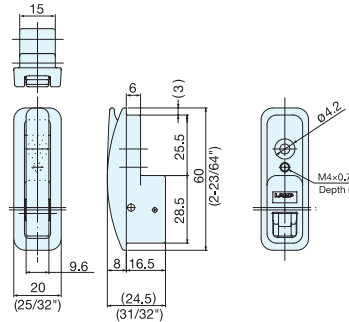


NF-60

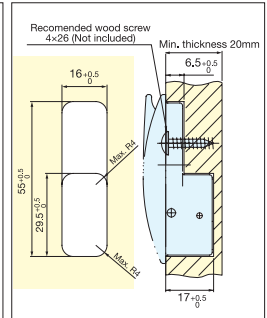


- Hook is spring loaded to retract.
- Ideal for vibration or shock applications.
- Panel Thickness: - Wood: Min. 20 mm (25/32")  
- Sheet metal: 0.8~1.6 mm with optional bracket NF-50, sold separately.

Part Name	Material	Finish
Body	Aluminum	Grey
Pin/Spring	304 Stainless Steel	Plain
Rubber	Polychloroprene	Black



Bore Dimensions  
(For thickness over 30 mm)



Bore Dimensions  
(For thickness 20~29 mm)

Item No.	Load Capacity (kg)	Weight (g)	Box (pcs)	Carton (pcs)
NF-60	20 (44 lbs)	31	10	200

# SOFT CLOSE RECESSED HOOK



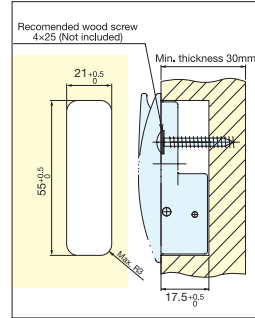
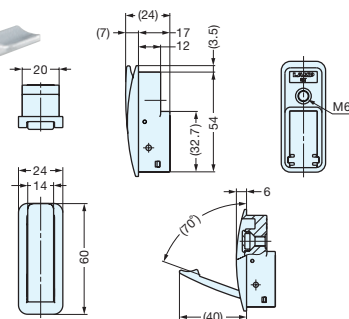
NF-60D



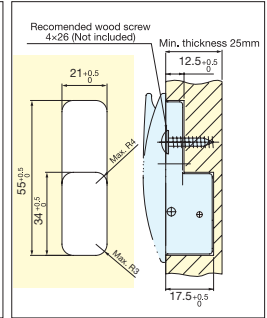
Grey Silver Metallic Silver

- Hook is spring loaded to retract with a soft closing action.
- Ideal for vibration or shock applications.
- Panel Thickness: - Wood: Min. 25 mm (1")  
- Sheet metal: 0.8~1.6 mm with optional bracket NF-50, sold separately.

Part Name	Material	Finish
Body	Aluminum	Grey/Silver Metallic Silver
Pin/Spring	304 Stainless Steel	Plain
Rubber	Polychloroprene	Black
Rear Cover	POM	Grey



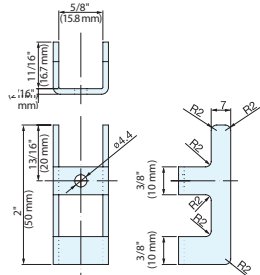
Bore Dimensions  
(For thickness over 30 mm)



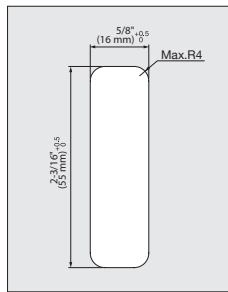
Bore Dimensions  
(For thickness 25~29 mm)

Item No.	Finish	Load Capacity (kg)	Weight (g)	Box (pcs)	Carton (pcs)
NF-60D/GR	Grey	30 (66 lbs)	49	10	200
NF-60D/SL	Silver				
NF-60D/MSL	Metallic Silver				

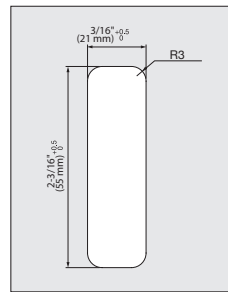
Bracket for sheet metal application



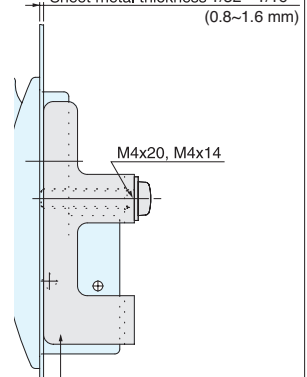
Supplied with M4x14 Stainless steel screw.



Cut Out Dimensions for NF-60



Cut Out Dimensions for NF-60D



Item No.	Weight (g)	Box (pcs)	Carton (pcs)	Material	Finish
NF-50	22	20	400	Steel	Yellow Zinc Chromate

# RECESSED HOOK (W/SOFT CLOSE)

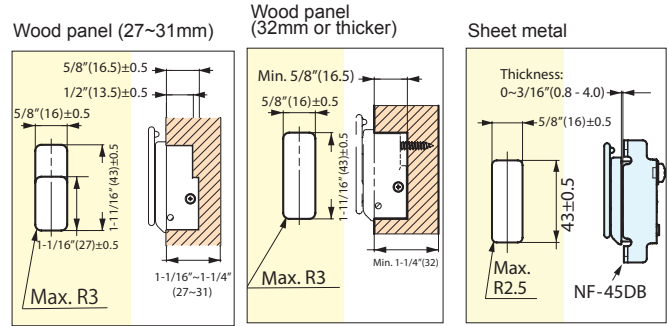
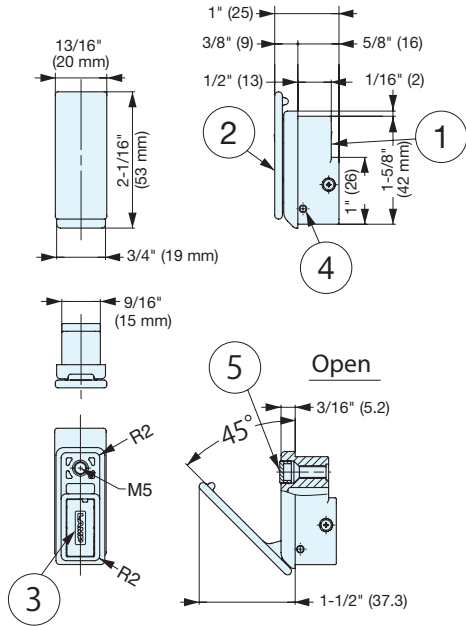


**NF-45D**



NF-45D-GR    NF-45D-BL    NF-45D-SSL    NF-45D-WT

- A modern, clean hook solution with Motion Design Technology.
- Hook is spring loaded to retract and soft close.
- Ideal for vibration or shock applications.
- Panel Thickness: - Wood: Min. 27~31 mm (1-1/16~1-1/4")  
- Sheet metal: 0.8~4.0 mm
- Hook bracket (NF-45DB) for sheet metal sold separately.



Cut Out Dimensions

No.	Part Name	Material	Finish
①	Body	Aluminum Alloy	Grey/Black/Silver White
②	Arm		
③	Cover	Polycetal	Plain
④	Pin	304 Stainless Steel	
-	Spring		Rubber
⑤	Bumper		

Item No.	Color	Load Capacity of Arm (kgf)	Load Capacity of Base (kgf)	Weight (g)	Box (pcs)	Carton (pcs)
NF-45D-GR	Grey	9.5 (21 lbsf)	51 (112 lbsf)	32	10	200
NF-45D-BL	Black					
NF-45D-SSL	Silver					
NF-45D-WT	White					

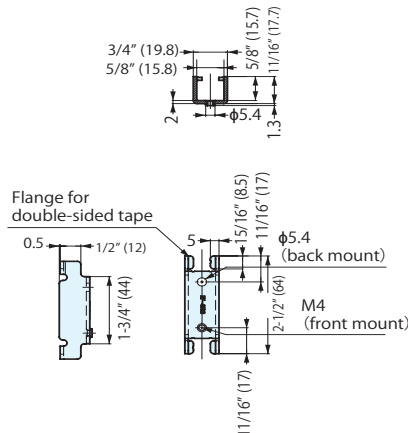
# RECESSED HOOK BRACKET



**NF-45DB**



NF-45DB



- Allows for the NF-45D hook to be mounted onto sheet metal.
- Can be mounted from both front and back sides.
- Has flanges for double-sided tape, which allows for temporary fixing before mounting.

Item No.	Material	Finish	Box (pcs)	Carton (pcs)
NF-45DB	Steel	Yellow Zinc Chromate	40	40

# COUNTER HOOKS

# HK-CH35

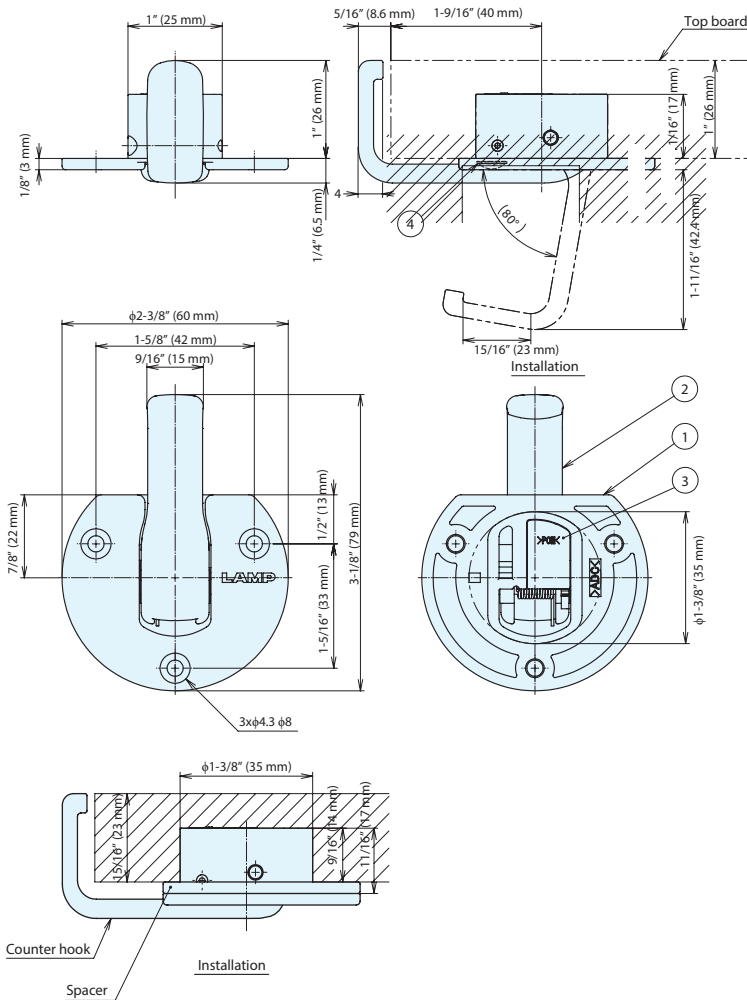
HOOKS

COUNTERR HOOKS

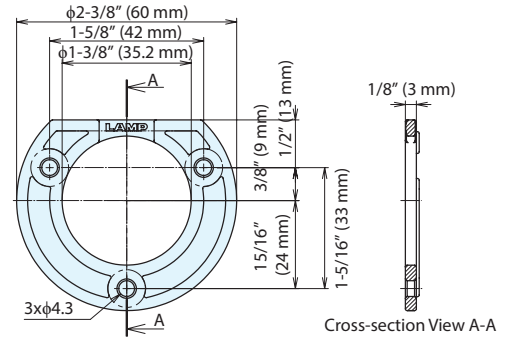


- Recessed mounted hook provides a clean appearance.
- Hook can be seen at the edge when unused.
- Hook closes and retracts with a soft-close motion into body when hooked items are removed.
- Board thickness: Min. 1" (26 mm).

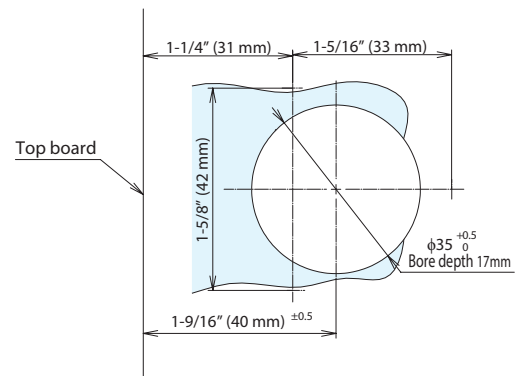
Board Thickness	Qty of Spacers	Bore Depth
Min 1" (26mm)	None	11/16" (17mm)
15/16" ~1" (23~26mm)	1 pcs	9/16" (14mm)
13/16"~15/16" (20~23mm)	2 pcs	7/16" (11mm)
11/16"~13/16" (17~20mm)	3 pcs	5/16" (8 mm)



[Spacer]



[Bore Dimensions]



Item No.	Finish	LoadCapacity (kgf)	Box (pcs)	Carton (pcs)
HK-CH35-BL	Black	10 (22 lbf)	20	200
HK-CH35-BR	Brown			
HK-CH35-SL	Silver			

No.	Part Name	Material	Finish
①	Body	Aluminum Alloy (ADC)	Enamel Finish Black/Brown/Silver
②	Arm	Aluminum Alloy (ADC)	Enamel Finish Black/Brown/Silver
③	Cover	Plastic (POM)	-
④	Bumper	PUR	Clear
⑤	Spacer	Plastic (PA)	Black

# RECESSED HOOK



# NF-R

HOOKS

RECESSED HOOKS / HEAVY DUTY FOLDING PAD EYES

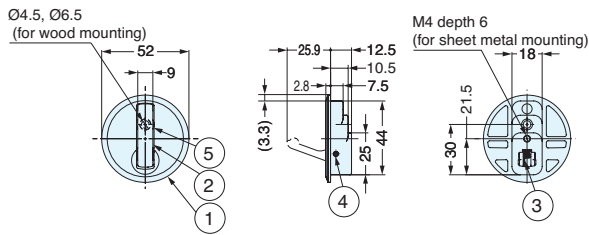


- Hook is spring loaded to retract.
- Ideal for vibration or shock application.

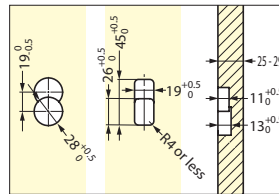


No.	Part Name	Material
①	Main Body	Zinc Alloy (ZDC)
②	Arm	
③	Spring	304 Stainless Steel
④	Knurled Pin	303 Stainless Steel
⑤	Cushioning Rubber	Chloroprene Rubber (CR)

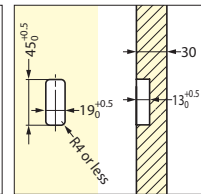
### NF-R52



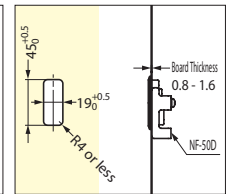
### Wood Mounting (thickness 25-29 mm)



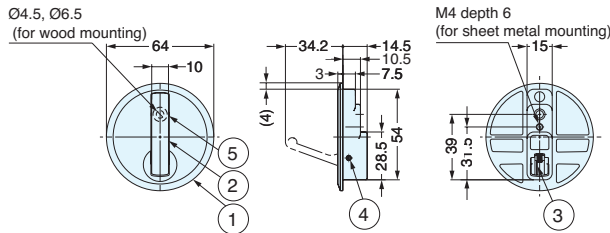
### Wood Mounting (thickness 30 mm or more)



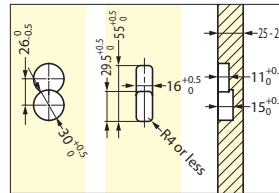
### Metal Sheet Mounting



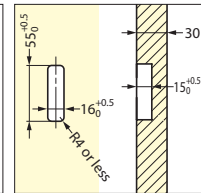
### NF-R64



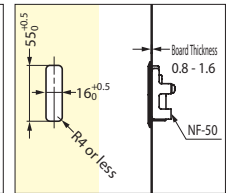
### Wood Mounting (thickness 25-29 mm)



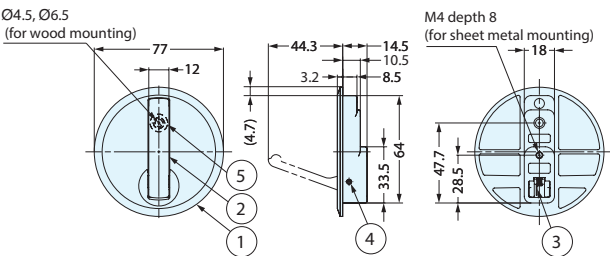
### Wood Mounting (thickness 30 mm or more)



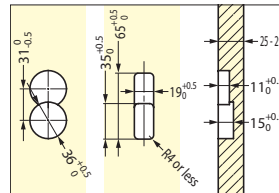
### Metal Sheet Mounting



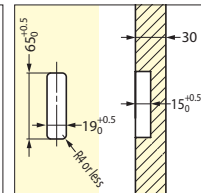
### NF-R77



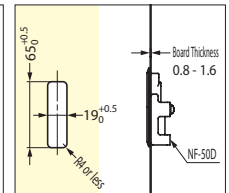
### Wood Mounting (thickness 25-29 mm)



### Wood Mounting (thickness 30 mm or more)



### Metal Sheet Mounting



Item No.	Load Capacity (kg)	Weight (g)	Finish	Box (pcs)	Carton (pcs)	Material
NF-R52-SCR	20 (44 lbs)	70	Dull Chrome	10	120	Zinc Alloy
NF-R52-CR			Chrome Plating	10	120	
NF-R52-BL			Matte Black	10	120	
NF-R64-SCR	20 (44 lbs)	90	Dull Chrome	10	120	
NF-R64-CR			Chrome Plating	10	120	
NF-R64-BL			Matte Black	10	120	
NF-R77-SCR	20 (44 lbs)	130	Dull Chrome	10	120	
NF-R77-CR			Chrome Plating	10	120	
NF-R77-BL			Matte Black	10	120	

# VANITY HOOK

**LOAD CAPACITY**  
5.8 kg  
12.8 lbs

**3.5x30**  
**STEEL**

**SSF**

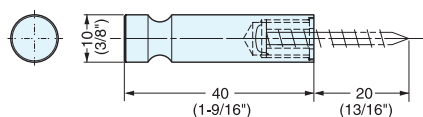


SSF-10/GA

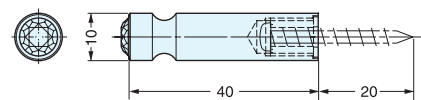


SSF-10/CR-SW

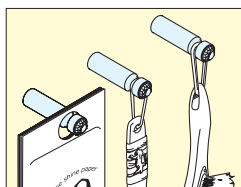
- Slim 3/8" (10 mm) diameter hook with groove, useful for hanging bags, brushes, etc.
- Includes 1-3/16" (3.5 x 30 mm) long self-tapping screw.
- Available in gold (GA) or chrome (CR) with option of designer crystals, adding a touch of glamour.



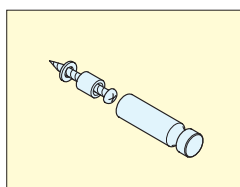
SSF-10/CR  
SSF-10/GA



SSF-10/CR-SW  
SSF-10/GA-SW



Application



Installation

Item No.	Material	Finish	Load Capacity (kg)	Weight (g)	Box (pcs)	Carton (pcs)
SSF-10/CR	Brass	Chrome	5.8 (12.8 lbs)	24	10	100
SSF-10/GA		Gold		25		
SSF-10/CR-SW	Brass, Crystal	Chrome				
SSF-10/GA-SW		Gold				

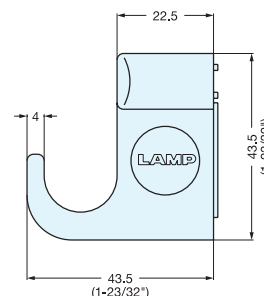
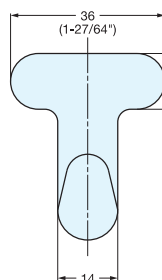
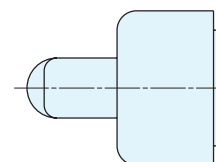
# MAGNETIC HOOK

**LOAD CAPACITY**  
2 kg  
4.4 lbs

**MJ-45**



- Hook with strong magnet.
- Convenient for use on steel cabinets, refrigerators, tool cabinets etc.



Item No.	Load Capacity (kg)	Weight (g)	Box (pcs)	Carton (pcs)	Material	Color
MJ-45/BRN	2 (4.4 lbs)	58	20	240	Magnet ABS	Brown (BRN)
MJ-45/IVY						Ivory (IVY)
MJ-45/ORG						Orange (ORG)

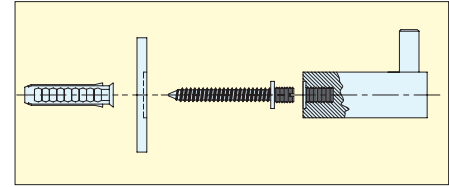
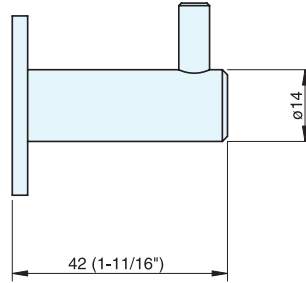


# COAT HOOK



## DSH-01

• Supplied with screw, and plastic expansion anchor.



Installation

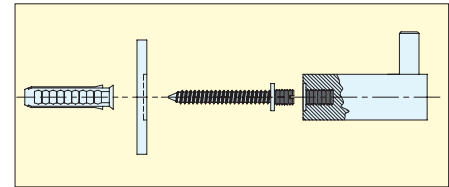
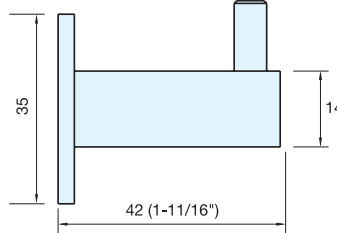
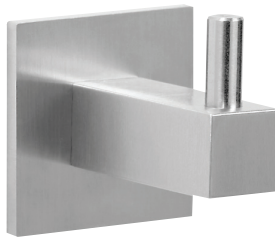
Item No.	Load Capacity (kg)	Weight (g)	Box (pcs)	Carton (pcs)	Material	Finish
DSH-01	10 (22 lbs)	71	25	250	303/304 Stainless Steel	Satin

# COAT HOOK



## DSH-04

• Supplied with screw, and plastic expansion anchor.



Installation

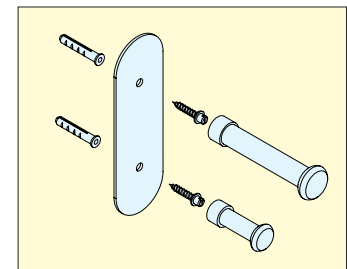
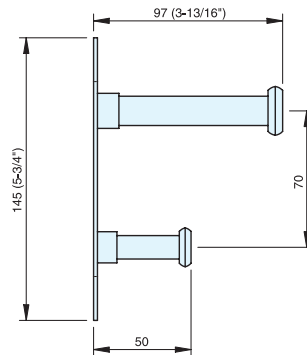
Item No.	Load Capacity (kg)	Weight (g)	Box (pcs)	Carton (pcs)	Material	Finish
DSH-04	10 (22 lbs)	55	25	250	303/304 Stainless Steel	Satin

# COAT HOOK



## DSH-05

• Supplied with screws and plastic expansion anchors.



Installation

Item No.	Load Capacity (kg)	Weight (g)	Box (pcs)	Carton (pcs)	Material	Finish
DSH-05	10 (22 lbs)	280	1	10	303/304 Stainless Steel	Satin

# COAT HOOK

STAINLESS  
304  
STEEL

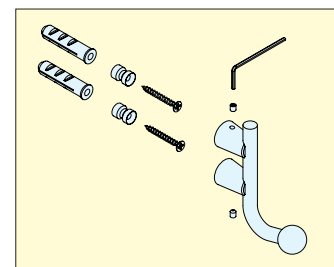
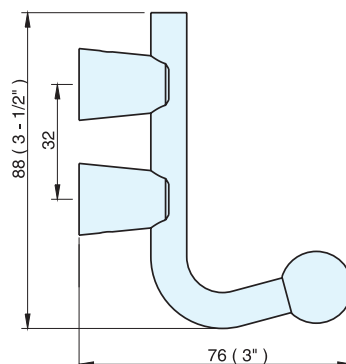
STAINLESS  
303  
STEEL

LOAD CAPACITY  
10 kg  
22 lbs



DSH-02

• Supplied with screws, brackets, plastic expansion anchors and allen key.



Installation

Item No.	Load Capacity (kg)	Weight (g)	Box (pcs)	Carton (pcs)	Material	Finish
DSH-02	10 (22 lbs)	178	10	100	303/304 Stainless Steel	Satin

# COAT HOOK

STAINLESS  
304  
STEEL

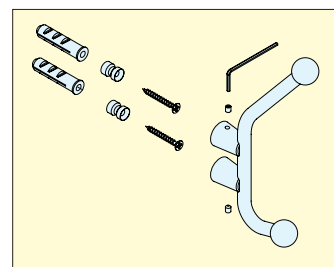
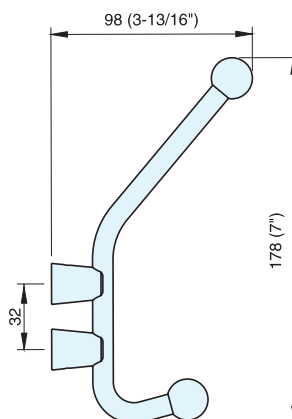
STAINLESS  
303  
STEEL

LOAD CAPACITY  
10 kg  
22 lbs



DSH-03

• Supplied with screws, brackets, plastic expansion anchors and allen key.



Installation

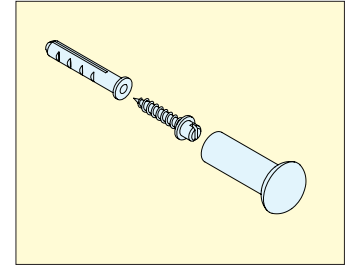
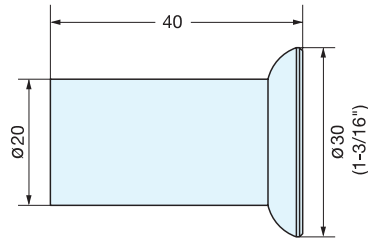
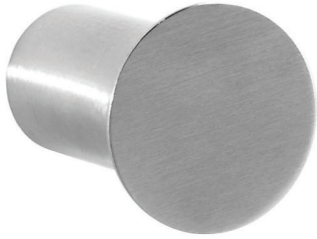
Item No.	Load Capacity (kg)	Weight (g)	Box (pcs)	Carton (pcs)	Material	Finish
DSH-03	10 (22 lbs)	71	5	50	303/304 Stainless Steel	Satin

# COAT HOOK



# DSH-129

• Supplied with screw, and plastic expansion anchor.



Installation

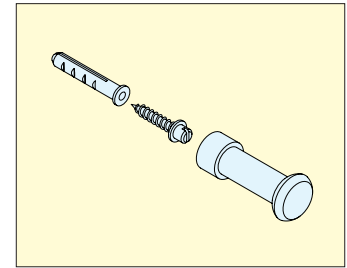
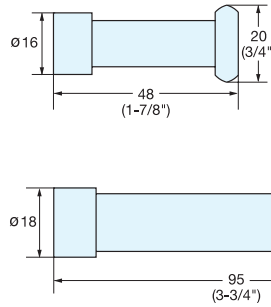
Item No.	Load Capacity (kg)	Weight (g)	Box (pcs)	Carton (pcs)	Material	Finish
DSH-129	10 (22 lbs)	100	25	250	303/304 Stainless Steel	Satin

# COAT HOOK



# DSH-P5

• Supplied with screw, and plastic expansion anchor.



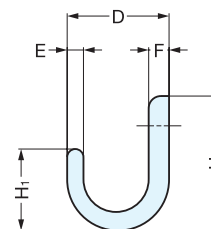
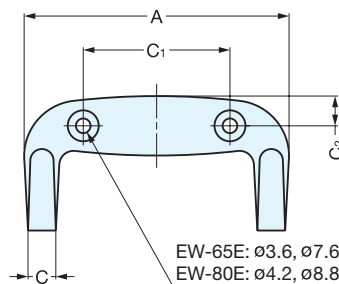
Installation

Item No.	Load Capacity (kg)	Weight (g)	Box (pcs)	Carton (pcs)	Material	Finish
DSH-P5-20	10 (22 lbs)	45	25	250	303/304 Stainless Steel	Satin
DSH-P5-25		113				

# HOOK



# EW-65E, 80E



Material	Finish
304 Stainless Steel	Mirror

Item No.	A	C <sub>1</sub>	C	D	E	F	C <sub>2</sub>	H	H <sub>1</sub>	Load Capacity (kg)	Weight (g)	Box (pcs)	Carton (pcs)	Screw
EW-65E	65 (2-9/16")	36	6.5	25	4	5	7.3	33 (1-19/64")	20	20 (44 lbs)	52	10	100	3.1 × 16
EW-80E	80 (3-5/32")	44	8.0	32	5	6	9.0	42 (1-21/32")	25		93			3.8 × 20

# RUBBER HOOK (PASTEL COLOR)

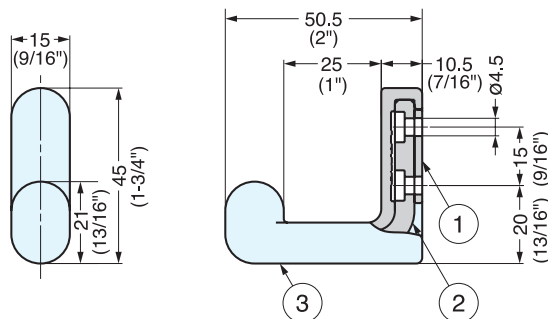


## PXB-GR05-111



Red Yellow Green Blue White Black

- Simple and safe design.
- Base made of stainless steel provides high strength and durability.
- Available in a wide range of colors.



Item No.	Color	Load Capacity kg (lbs)	Weight (g)	Box (pcs)	Carton (pcs)
PXB-GR05-111-LRD	Red	10 (22 lbs)	48	10	100
PXB-GR05-111-LYE	Yellow				
PXB-GR05-111-LGN	Green				
PXB-GR05-111-LBU	Blue				
PXB-GR05-111-WT	White				
PXB-GR05-111-BL	Black				

No.	Part Name	Material	Finish
①	Base Plate	304 Stainless Steel	Plain
②	Base		
③	Cover	Silicone Rubber	-

# RUBBER HOOK (HAT & COAT HOOK)

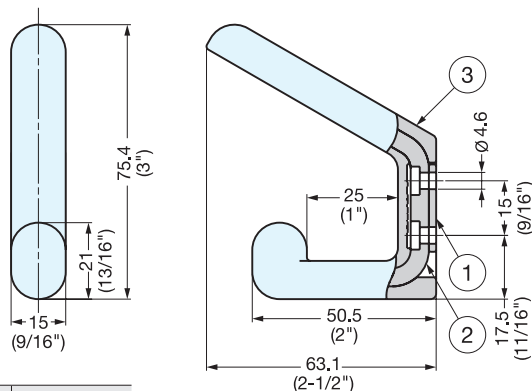


## PXB-GR05-211



Red Yellow Green Blue White Black

- Simple and safe design.
- Base made of stainless steel provides high strength and durability.
- Available in a wide range of colors.



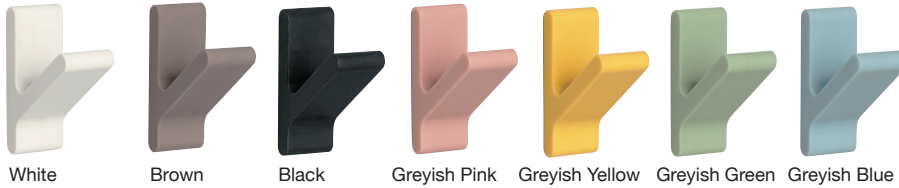
Item No.	Color	Load Capacity kg (lbs)	Weight (g)	Box (pcs)	Carton (pcs)
PXB-GR05-211-RD	Red	10 (22 lbs)	66	10	100
PXB-GR05-211-YE	Yellow				
PXB-GR05-211-GN	Green				
PXB-GR05-211-BU	Blue				
PXB-GR05-211-WT	White				
PXB-GR05-211-BL	Black				

No.	Part Name	Material	Finish
①	Base Plate	304 Stainless Steel	Plain
②	Base		
③	Cover	Silicone Rubber	-

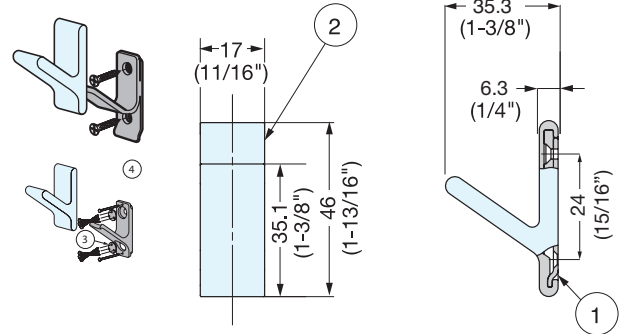
## RUBBER HOOK (NORDIC)



## PXB-GN05-101



- Simple and safe design.
- Includes pin for drywall installation.
- Available in a wide range of colors.



Item No.	Color	Load Capacity kg (lbs)	Weight (g)	Box (pcs)	Carton (pcs)
PXB-GN05-101-GWT	White	4.1 (9 lbs)	39	10	100
PXB-GN05-101-BR	Brown				
PXB-GN05-101-BL	Black				
PXB-GN05-101-GPK	Greyish Pink				
PXB-GN05-101-GYE	Greyish Yellow				
PXB-GN05-101-GGN	Greyish Green				
PXB-GN05-101-GBU	Greyish Blue				

No.	Part Name	Material	Finish
①	Base	Zinc Alloy	Nickel
②	Cover	Silicone Rubber	-
③	Drywall Pin	AES	Plain
④	Drywall Screw	Stainless Steel	

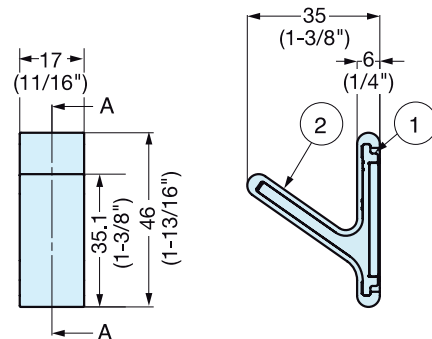
## RUBBER HOOK (MAGNETIC)



## PXB-GN05M-101



- Magnetic type
- Simple and safe design.
- Available in a wide range of colors.



Item No.	Color	Load Capacity kg (lbs)	Weight (g)	Box (pcs)	Carton (pcs)
PXB-GN05M -101-GR	Grey	1.1 (2.4 lbs)	32	10	100
PXB-GN05M -101-GY	Green Yellow				
PXB-GN05M -101-NB	Navy Blue				
PXB-GN05M -101-GWT	White				
PXB-GN05M -101-YR	Orange				

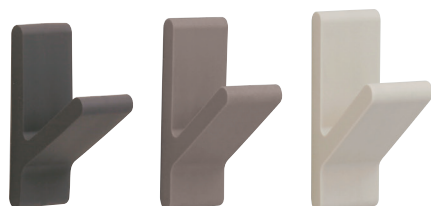
No.	Part Name	Material	Finish
①	Base	Zinc Alloy	Plain
②	Cover	Silicone Rubber	-



# RUBBER HOOK (NORDIC)



## PXB-GN05-111



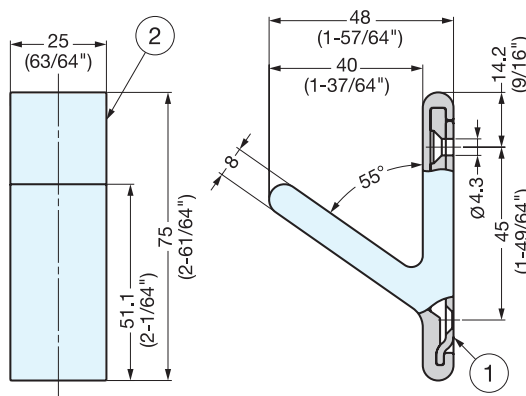
Dark Grey

Brown

Beige



- Simple and safe design.
- Base made of stainless steel provides high strength and durability.
- Designed to Integrate modern style.



Item No.	Color	Load Capacity kgf (lbs)	Weight (g)	Box (pcs)	Carton (pcs)
PXB-GN05-111-DG	Dark Grey	8 (18 lbs)	93	10	100
PXB-GN05-111-BR	Brown				
PXB-GN05-111-BE	Beige				

No.	Part Name	Material	Finish
①	Base	Stainless Steel	Plain
②	Cover	Silicone Rubber	-

# COAT HOOK (PREMIUM WOOD SERIES)



## PXB-WM05-111



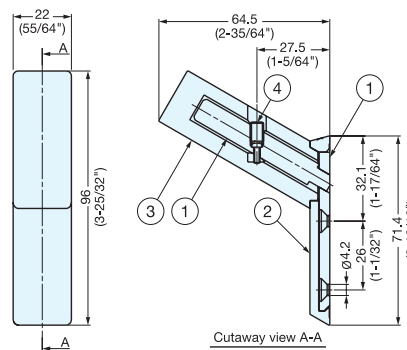
White Birch

Ostrya Japonica (Hornbeam)

Walnut



- The contrast of the gentle touch of wood surface and shiny metallic texture creates a unique rectilinear feature.
- Metal core inside the wooden arm provides high-durability.
- Clear coating greatly improves the endurance.



No.	Part Name	Material	Finish
①	Base	Steel	Zinc Chromate
②	Base Cover	Zinc Alloy	Nickel/Black
③	Arm	Wood	Clear Coating
④	Socket Screw	Stainless Steel	Plain

Item No.	Color	Load Capacity kgf (lbs)	Weight (g)	Box (pcs)	Carton (pcs)
PXB-WM05-111-MK	White Birch	10 (22 lbs)	110	6	48
PXB-WM05-111-AS	Ostrya Japonica (Hornbeam)				
PXB-WM05-111-WN	Walnut				



## COAT HOOK (URBAN METAL SERIES)



## PXB-UM05-101

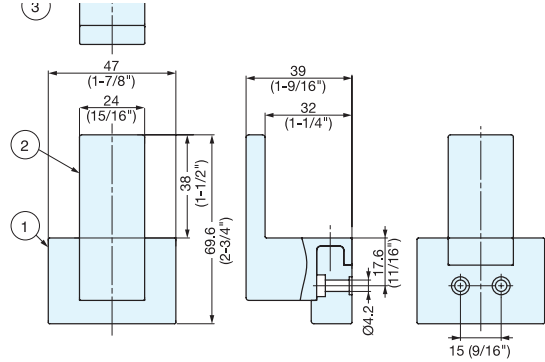


Satin

Black



- An unprecedented design with sleekness from aluminum extrusion and edge treatment.
- Designed to integrate with modern style interiors where rectilinear-themed.
- Modern and minimalistic appearance add to the high quality design



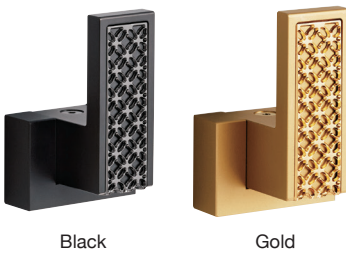
Item No.	Color	Load Capacity kg (lbs)	Weight (g)	Box (pcs)	Carton (pcs)
PXB-UM05-101-ST	Satin	10 (22 lbs)	112	8	64
PXB-UM05-101-BL	Black				

No.	Part Name	Material	Finish
①	Base	Aluminum	Satin/Black
②	Arm		
③	Socket Screw	Stainless Steel	Plain

## COAT HOOK (URBAN METAL/QUEST SERIES)



## PXB-UM05-101-Q1

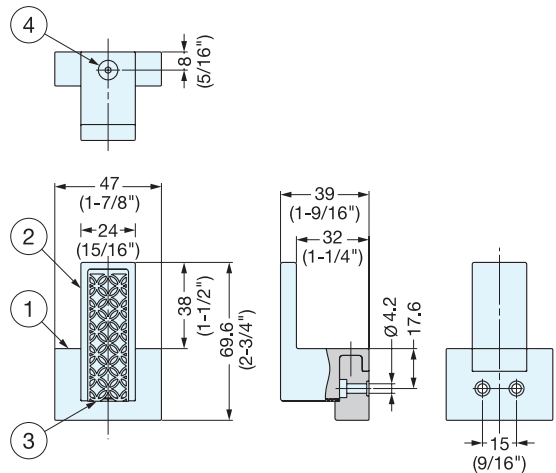


Black

Gold



- Decorative plate fitted into hook arm represents modern luxury style.
- The combination of simple form and decorative plate suite modern/classic interior design.
- Custom engraving available by special order.



Item No.	Color	Load Capacity kgf (lbs)	Weight (g)	Box (pcs)	Carton (pcs)
PXB-UM05-101-Q1-BL	Black	10 (22 lbs)	114	8	64
PXB-UM05-101-Q1-GL	Gold				

No.	Part Name	Material	Finish
①	Base	Aluminum	Gold/Black
②	Arm		
③	Plate	Brass	
④	Screw	Stainless Steel	Plain

# COAT HOOK



## PXB-AB05



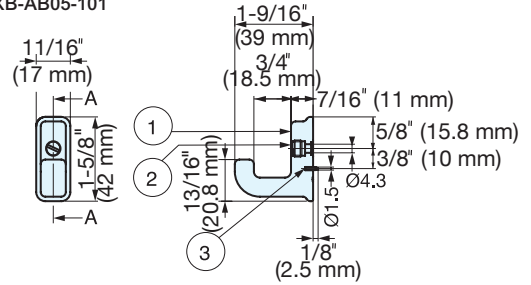
Bronze Brown



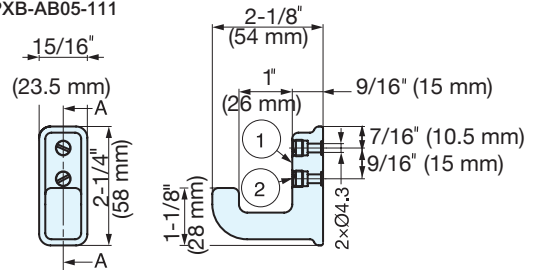
Bronze Black

• Vintage design with brass casting.

PXB-AB05-101



PXB-AB05-111



Item No.	Color	Load Capacity kg (lbs)	W	H	D	Weight (g)
PXB-AB05-101-BL	Bronze Black	10 (22 lbs)	11/16" (17 mm)	1-5/8" (42 mm)	1-9/16" (39 mm)	79
PXB-AB05-101-BR	Bronze Brown					
PXB-AB05-111-BL	Bronze Black	10 (22 lbs)	15/16" (23.5 mm)	2-1/4" (58 mm)	2-1/8" (54 mm)	210
PXB-AB05-111-BR	Bronze Brown					

No.	Part Name	Material	Finish
①	Body	Brass	Bronze Black (BL)
②	Screw		Bronze Brown (BR)
③	Sharp Pin	Stainless Steel	Plain

# COAT HOOK (AGED CAST)



## PXB-AC05-111

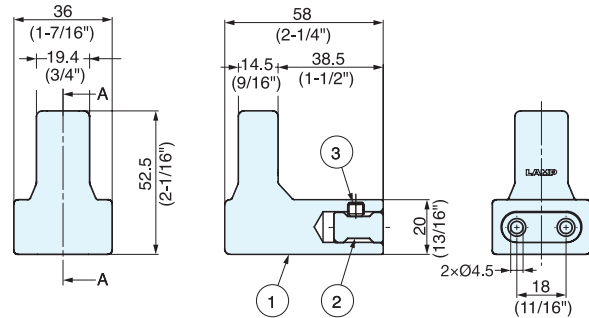
• Vintage design with brass casting.



Bronze Black



Bronze Brown



No.	Part Name	Material	Finish
①	Body	Brass	Bronze Black (BL)
②	Insert		Bronze Brown (BR)
③	Screw	Bronze	

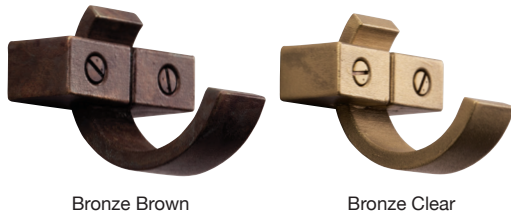
Item No.	Color	Load Capacity kgf (lbs)	W	H	D	Weight (g)
PXB-AC05-111-BL	Bronze Black	20 (44 lbs)	36 (1-7/16")	52.5 (2-1/16")	58 (2-1/4")	400
PXB-AC05-111-BR	Bronze Brown					

## COAT HOOK (AGED SCREW SERIES)



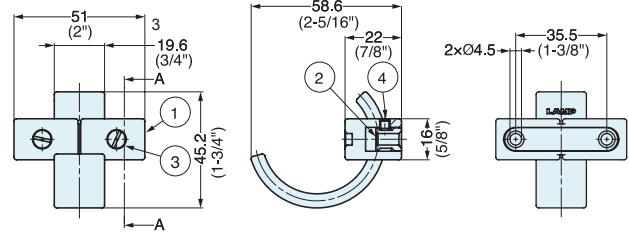
PXB-AS05-111

• Vintage design with brass casting.



Bronze Brown

Bronze Clear



No.	Part Name	Material	Finish
①	Body	Brass	Bronze Brown(BR) Bronze Clear(SD)
②	Insert		
④	Screw		

Item No.	Color	Load Capacity kgf (lbs)	W	H	D	Weight (g)
PXB-AS05-111-BR	Bronze Brown	9 (19.8 lbs)	51 (2'')	45.2 (1-3/4'')	58.6 (2-5/16'')	200
PXB-AS05-111-SD	Bronze Clear					

## COAT HOOK (LEATHERY CHIC)



PXB-LE05-111

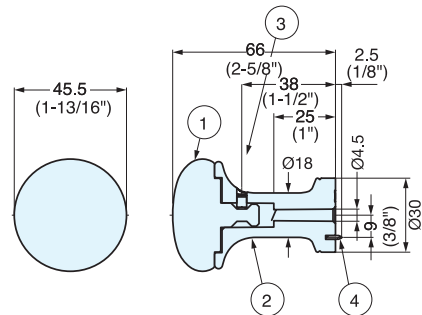
• Modern design with contrasting materials.



Black

Tan

Brown



No.	Part Name	Material	Finish
①	Head	ZDC	Black(BL) Brown(BR) Tan(TN)
②	Body		
③	Screw	304 Stainless Steel	
④	Pin	316 Stainless Steel	

Item No.	Color	Load Capacity kgf (lbs)	W	H	D	Weight (g)
PXB-LE05-111-BL	Black	11 (25 lbs)	45.5 (1-13/16'')	45.5 (1-13/16'')	66 (2-5/8'')	267
PXB-LE05-111-BR	Brown					
PXB-LE05-111-TN	Tan					



# FORGED BRASS DOUBLE HOOK



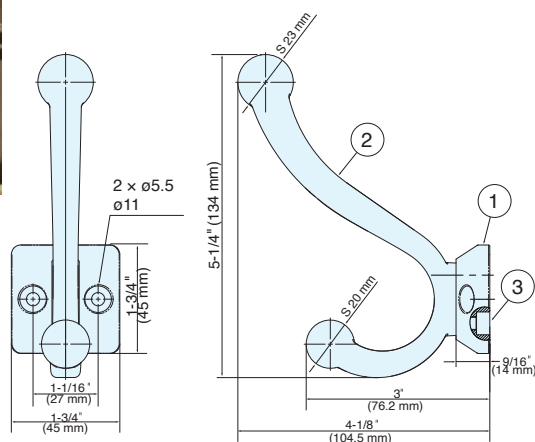
## PXB-BN05-211



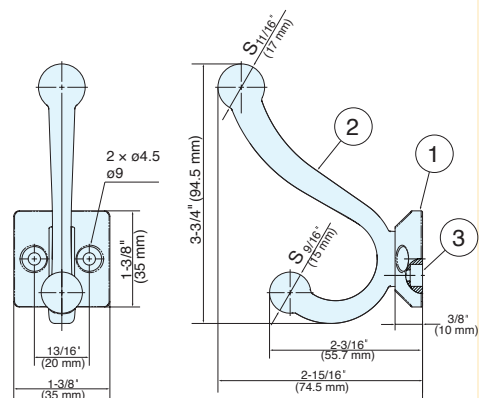
- A high-end design which harmonizes both classical and contemporary styles.
- Built from luxurious solid brass forged to perfection.
- Meticulously crafted to ensure durability and a high quality finish.
- A clear lacquer coating is applied to prevent tarnishing.
- The endpoints feature a spherical design making it safer to use and lowers the risk of accidental injury.
- Includes screws that match the color of the finish.



Blasted Metal Polished Brass Satin Brass Antique Brass Matte Black



PXB-BN05-231



PXB-BN05-211

Item No.	Material	Finish	Load Capacity	Weight (g)	Box (pcs)	Carton (pcs)
PXB-BN05-211-BM	Brass	Blasted Metal	18.7 lbs (8.5 kg)	165	4	20
PXB-BN05-211-PB		Polished Brass				
PXB-BN05-211-SB		Satin Brass				
PXB-BN05-211-AB		Antique Brass				
PXB-BN05-211-BL		Matte Black				
PXB-BN05-231-BM	Brass	Blasted Metal	33 lbs. (15 kg)	415	4	20
PXB-BN05-231-PB		Polished Brass				
PXB-BN05-231-SB		Satin Brass				
PXB-BN05-231-AB		Antique Brass				
PXB-BN05-231-BL	Matte Black					

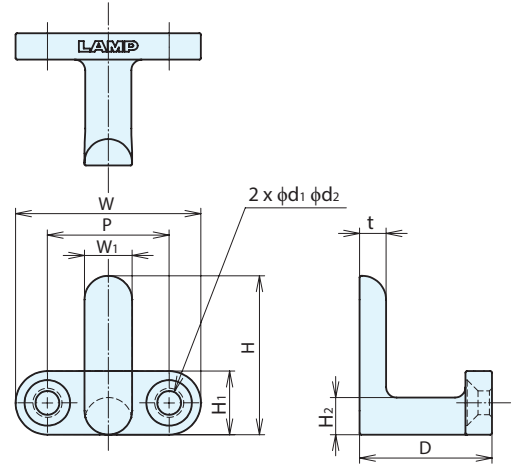
No.	Part Name	Material
①	Base	Brass
②	Arm	
③	Hex Socket Bolts	Steel

# HOOK

# HK-FH



- Decorative contemporary hook.
- Available in four finishes and two sizes.



Item No.	Material	Finish	D	d <sub>1</sub>	d <sub>2</sub>	H	H <sub>1</sub>	H <sub>2</sub>	P	t	W	W <sub>1</sub>	Load Capacity	Weight (g)	Box (pcs)	Carton (pcs)
HK-FH30-CR	Zinc Alloy	Chrome	1" (25 mm)	3/16" (4.5 mm)	5/16" (8.6 mm)	1-3/16" (30 mm)	1/2" (12 mm)	1/4" (7 mm)	15/16" (23 mm)	3/16" (5 mm)	1-5/16" (34 mm)	3/8" (9 mm)	22 lb (10 kg)	22	25	300
HK-FH30-BL		Black														
HK-FH30-DB		Copper														
HK-FH30-PB		Brass														
HK-FH50-CR	Zinc Alloy	Chrome	1-9/16 (39 mm)	3/16" (5.3 mm)	7/16" (10.6 mm)	1-3/4" (45 mm)	5/8" (16 mm)	3/8" (9.5 mm)	1-5/16" (34 mm)	1/4" (7 mm)	2" (50 mm)	1/2" (13 mm)	33 lb (15 kg)	65	15	200
HK-FH50-BL		Black														
HK-FH50-DB		Copper														
HK-FH50-PB		Brass														

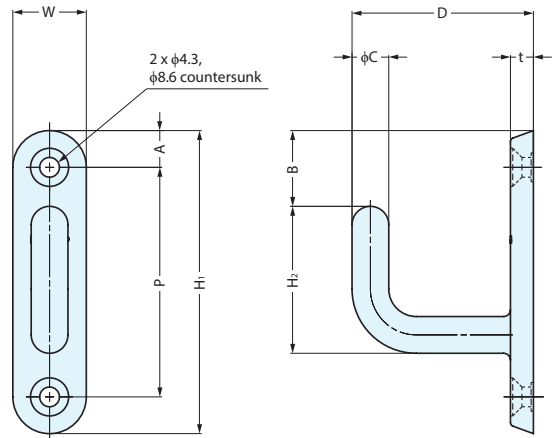
# HOOK



# HK-LB



- A stainless steel hook with a thick plate for a high-end look.
- Rounded hook tip to ensure safety.



Item No.	Material	Finish	W	H <sub>1</sub>	H <sub>2</sub>	P	A	B	C	D	t	Load Capacity (kgf)	Weight (g)
HK-LB50	316 Stainless Steel	Polished	5/8" (16 mm)	2-9/16" (65 mm)	1-1/4" (32 mm)	2" (50 mm)	5/16" (8 mm)	5/8" (16.5 mm)	5/16" (8 mm)	1-9/16" (39.5 mm)	3/16" (5 mm)	33.7 lbs (15.3 kgf)	46
HK-LB65			11/16" (18 mm)	3-3/8" (85 mm)	1-3/4" (44.5 mm)	2-9/16" (65 mm)	3/8" (9 mm)	13/16" (20 mm)	3/8" (9 mm)	1-15/16" (49 mm)	1/4" (6.5 mm)		81