



# DRAWER SLIDES

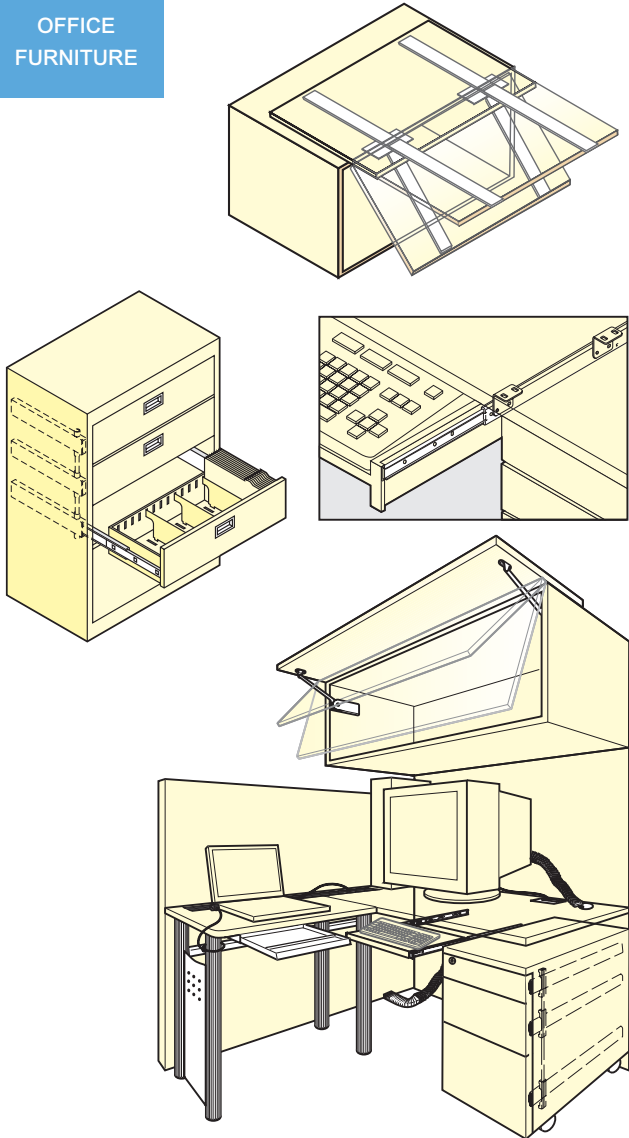
STAINLESS STEEL DRAWER SLIDES  
ALUMINUM DRAWER SLIDES  
LINEAR SLIDES  
MINI GUIDES

# APPLICATION EXAMPLE

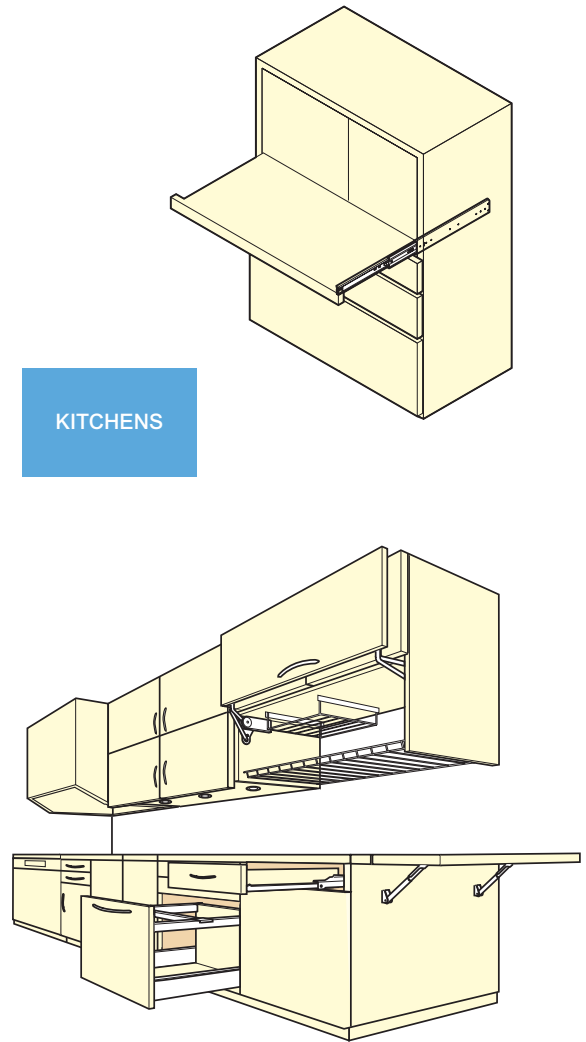
DRAWER SLIDES

APPLICATION EXAMPLES

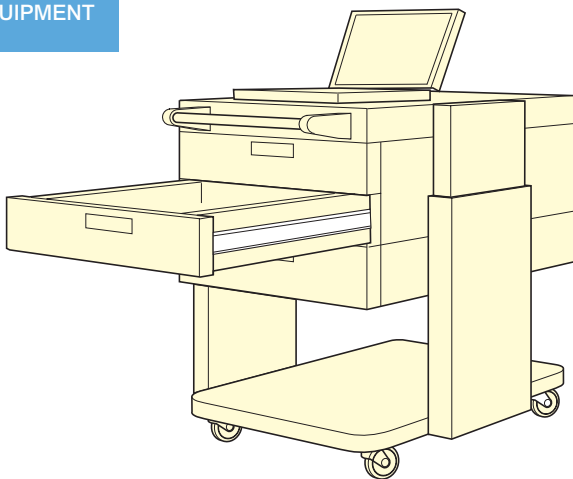
OFFICE FURNITURE



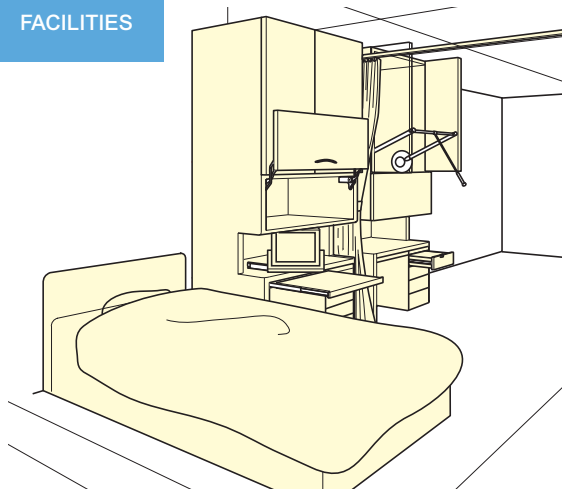
KITCHENS



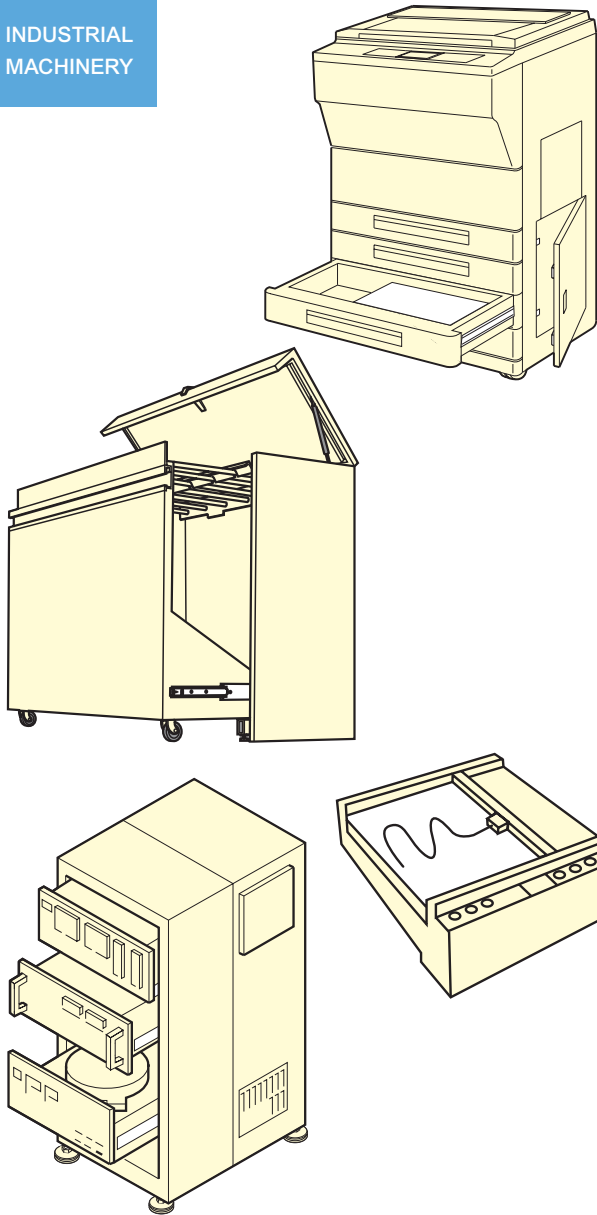
MEDICAL EQUIPMENT



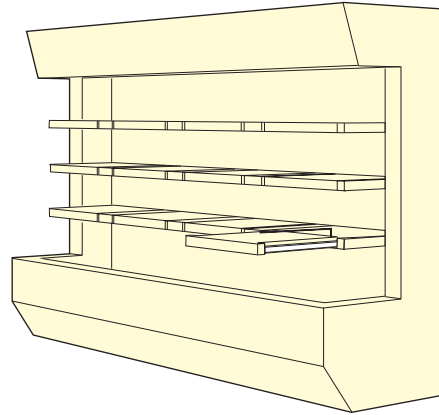
MEDICAL FACILITIES



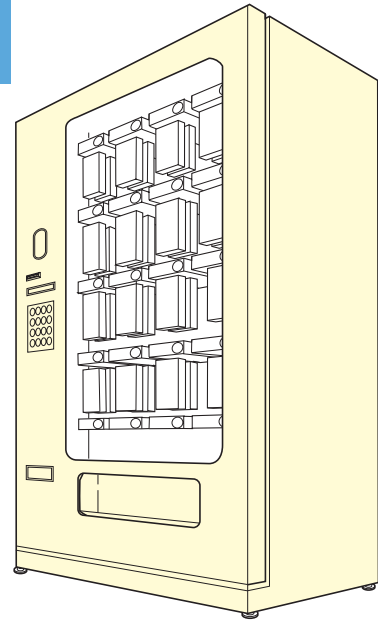
INDUSTRIAL  
MACHINERY



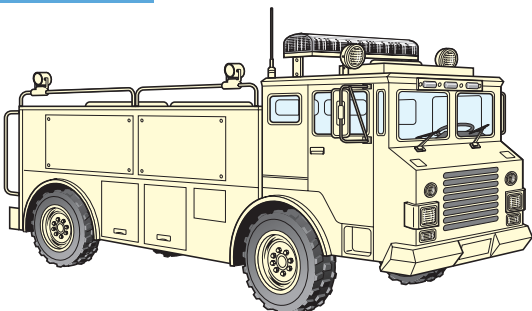
STORE  
FIXTURES



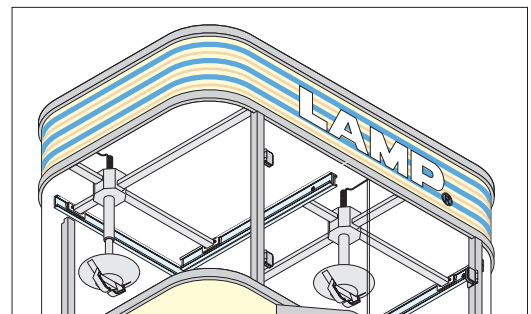
VENDING  
MACHINES




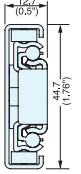

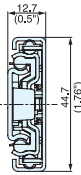

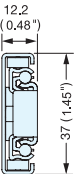

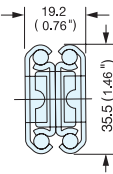

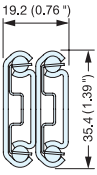

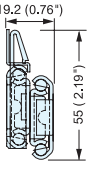
VEHICLES


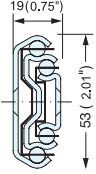

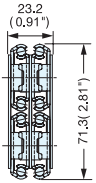

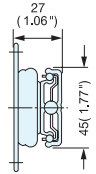

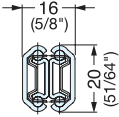

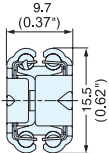


GAMING  
MACHINES






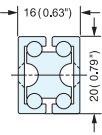


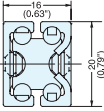



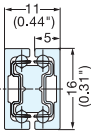
STAINLESS STEEL FULL EXTENSION SLIDES

Item No.	Load Rating (pair)	Page	Side View	Hold-In Detent	Hold-Out Detent	Positive Stop	Positive Lock	Positive Catch	Front Disconnect	Friction Brake Stop	Quick Disconnect	Other Features	Non-Handed
				Features									
ESR-DC4513  	40~54 kg (87~119 lbs)	392		•		•			•				•
ESR-SC4513  	31~37 kg (68~82 lbs)	393				•			•			Soft Close	
ESR-3813  	29~45 kg (64~98 lbs)	394		•		•			•				•
ESR-6  	45~60 kg (99~132 lbs)	395				•							•
ESR-7  	36~64 kg (79~139 lbs)	396				•			•				•
ESR-3  	43~65 kg (94~143 lbs)	397				•					•		




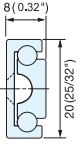


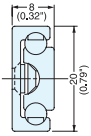
Item No.	Load Rating (pair)	Page	Side View	Hold-In Detent	Hold-Out Detent	Positive Stop	Positive Lock	Positive Catch	Front Disconnect	Friction Brake Stop	Quick Disconnect	Other Features	Non-Handed
				Features									
5302	 STAINLESS 304 STEEL 64~116 kg (140~255 lbs)	398		•		•							•
ESR-10	 STAINLESS 304 STEEL 182~272 kg (400~599 lbs)	399				•							•
TSS3	 RoHS STAINLESS 304 STEEL 50~95 kg (110~209 lbs)	400				•							•
ESR-2031	 RoHS STAINLESS 304 STEEL 13~17 kg (28~37 lbs)	410				•						Full Extension	•
SCR3	 RoHS STAINLESS 304 STEEL 10~12 kg (22~26 lbs)	414											



ALUMINUM FULL EXTENSION SLIDES

Item No.	Load Rating (pair)	Page	Side View	Hold-In Detent	Hold-Out Detent	Positive Stop	Positive Lock	Positive Catch	Front Disconnect	Friction Brake Stop	Quick Disconnect	Other Features	Non-Handed
				Features									
AR3 	  3.1~11.2 kg (7~25 lbs)	412				•							•
AR3-K 	 8.7~10.7 kg (19~23 lbs)	413			•	•							•
AR3-16 	  2~4 kg (4.4~8.8 lbs)	411					•						•

ALUMINUM 3/4 EXTENSION SLIDES

Item No.	Load Rating (pair)	Page	Side View	Hold-In Detent	Hold-Out Detent	Positive Stop	Positive Lock	Positive Catch	Front Disconnect	Friction Brake Stop	Quick Disconnect	Other Features	Non-Handed
				Features									
AR2 	  8.2~15.3 kg (18~34 lbs)	412				•							•
AR2-K 	 8.7~12.7 kg (19~28 lbs)	413			•	•							•

## LINEAR SLIDES



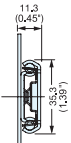


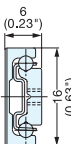


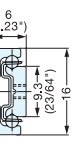


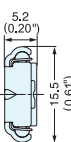
Item No.	Page	Load Rating	Length	
LGB-30CM  	402	30 kg (66 lbs)		
LGB30  	402		400~2000 mm (15-3/4"~78-47/64")	
LGB30-ST  	403		-	
LGB30-P65-100  	403		-	

## Drawer Slide Terms



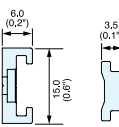


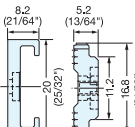


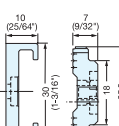


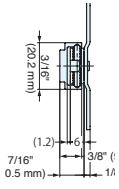
- **Soft Close** ..... The slide soft closes on its own for the last 2~3" of movement.
- **Slide Length** ..... The longest dimension of a fully closed slide. This dimension cannot exceed the depth of the cabinet into which it is installed.
- **Travel** ..... The distance that a slide moves from the closed to a fully open position.
- **¾ Extension** ..... The slide extends approximately ¾ of its length from the front edge of the cabinet front.  
This is the normal travel of 2 member slides.
- **Full Extension** ..... The full withdrawal of a drawer from the case. This is the normal travel of 3 member slides.
- **Positive Stop** ..... Drawer stops at extended/open position, but does not lock or detent.
- **Positive Lock** ..... Drawer is firmly held in the extended/out position. Drawer is released by depressing a lever and pushing the drawer inward.  
The drawer can also be disconnected by depressing the lever and pulling the drawer outward.
- **Friction Brake Stop** ..... Drawer stops at extended/open position by the resistance of the ball retainer.  
Usually achieved by deforming the slide races to achieve an interference fit.
- **Hold-in Detent**..... Drawer is firmly held in the fully closed position. Drawer is released by pulling the drawer outward.  
This feature is also known as a Positive Catch.
- **Front Disconnect** ..... Drawer member can be disconnected by actuating the disconnect lever.
- **Quick Disconnect** ..... A drawer bracket attaches to the drawer and engages the drawer member of the slide.  
The drawer can be disconnected by actuating the drawer rail lock, and pulling it outward.



LINEAR SLIDES

Item No.	Load Rating (pair)	Page	Side View	Hold-In Detent	Hold-Out Detent	Light-Weight	2-way Travel	Thin Profile	Full Extension	High Precision	Mounting Plate	Other Features	Non-Handed
 <p>ESR-9</p> 	5 kg (11 lbs)	409											
 <p>ARL2-16</p> 	0.8~5 kg (1.7~11 lbs)	411											
 <p>ARW2-16</p> 	1.1~7 kg (2.4~15.4 lbs)	411											
 <p>SCRL2</p> 	18~24 kg (40~53 lbs)	414											

GUIDE SYSTEMS

Item No.	Page	Side View	Load Rating	Length
 <p>MRS-15, MR-15CS</p> 	415		Horizontal Static Load: 10.2 kgf (22.48 lbs) Vertical Static Load: 3.0 kgf (6.61 lbs)	3-15/16"~31-1/2" (100-800 mm)
 <p>MRS20, MR-20CS</p> 	416		Horizontal Static Load: 30.6 kgf (67.5 lbs) Vertical Static Load: 17.8 kgf (39.2 lbs)	3-15/16"~78-47/64" (100-2000 mm)
 <p>MRS30, MR-30CS</p> 	417		Horizontal Static Load: 26 kgf (57.2 lbs) Vertical Static Load: 15 kgf (33 lbs)	3-15/16"~78-47/64" (100-2000 mm)
 <p>MLG</p> 	417.1			7-7/8" 11-13/16" 15-3/4" (200, 300, 400 mm)

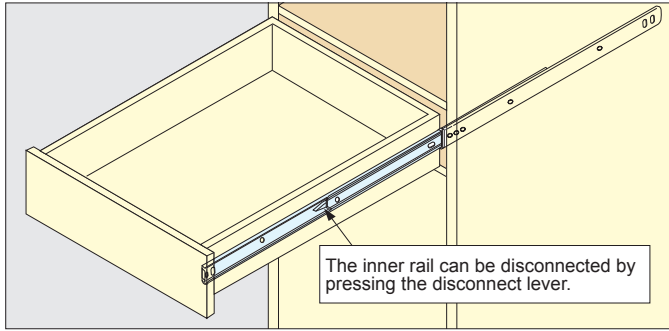
# FULL EXTENSION SLIDE



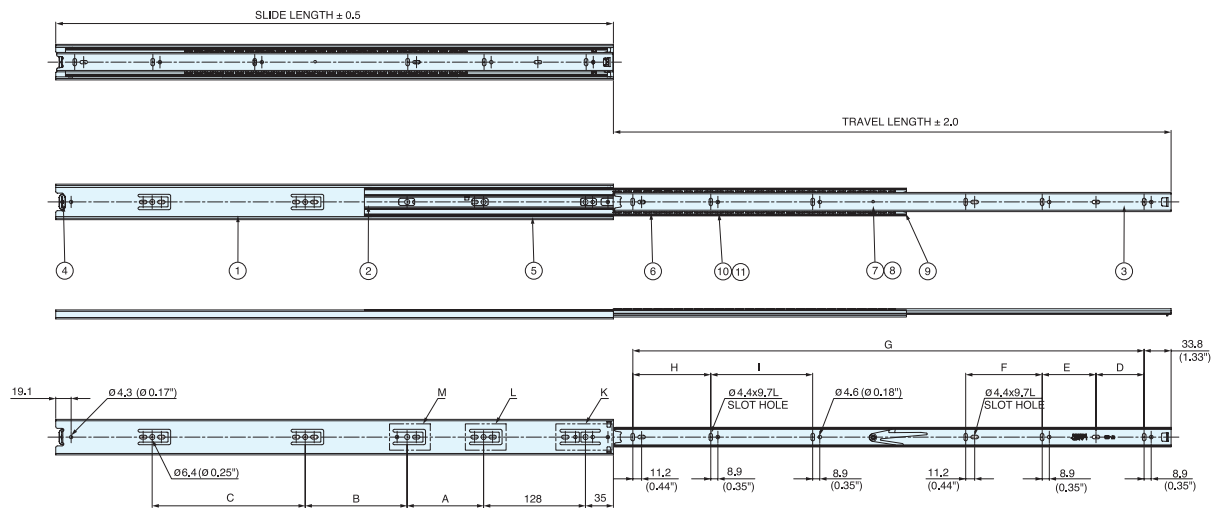
# ESR-DC4513

DRAWER SLIDES

STAINLESS STEEL SLIDES

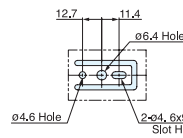


- Full extension.
- Front disconnect.
- Positive stop.
- Hold-in detent.
- Non-handed.
- Sold in pairs.
- Mount with M4 or #8, Binding or Pan head screws.

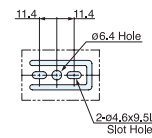


25.4mm=1"

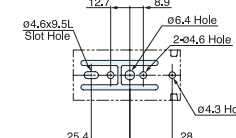
Part Name	Material
Outer Member	304 Stainless Steel
Middle Member	
Inner Member	
Retainer	Polypropylene
Ball Case	304 Stainless Steel
Stopper (Guide)	Nylon 6
Disconnecter	Nylon 66
Rivet	304 Stainless Steel
Stopper	Urethane
Balls	304 Stainless Steel
Lubricant	H1 Grade



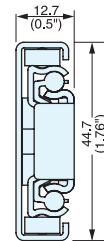
DETAIL M



DETAIL L



DETAIL K



Item No.	Slide Length	Travel Length	A	B	C	D	E	F	G	H	I	Load Rating (kg/pair)	Weight (g)	Box(Pair)
ESR-DC4513-8	200 ( 7-7/8" )	200 ( 7-7/8" )	-	-	-	-	-	-	142	-	-	54 (119 lbs)	447	10
ESR-DC4513-10	250 ( 9-27/32" )	250 ( 9-27/32" )	-	-	-	-	-	-	192	-	-	52 (115 lbs)	603	
ESR-DC4513-12	300 (11-13/16" )	300 (11-13/16" )	-	-	-	-	-	-	242	-	-	50 (111 lbs)	754	
ESR-DC4513-14	350 (13-25/32" )	350 (13-25/32" )	-	-	-	-	-	-	292	-	-	49 (108 lbs)	919	
ESR-DC4513-16	400 ( 15-3/4" )	400 ( 15-3/4" )	96	-	-	60.5	67.5	96	-	-	-	47 (104 lbs)	1064	
ESR-DC4513-18	450 (17-23/32" )	450 (17-23 32" )	128	-	-				-	392	72	-	-	
ESR-DC4513-20	500 (19-11/16" )	500 (19-11/16" )	96	192	-	-	442	122	-	-	-	44 ( 97 lbs )	1373	
ESR-DC4513-22	550 (21-21/32" )	550 (21-21/32" )	-	-	96	-	492	76	96	-	-	43 ( 94 lbs )	1528	
ESR-DC4513-24	600 ( 23-5/8" )	600 ( 23-5/8" )	-	128	128	-	542	126	-	-	-	42 ( 92 lbs )	1687	
ESR-DC4513-26	650 (25-19/32" )	650 (25-19/32" )	-	-	192	-	592	48	-	128	-	41 ( 90 lbs )	1854	
ESR-DC4513-28	700 ( 27-9/16" )	700 ( 27-9/16" )	-	-	-	-	642	98	-	-	-	40 ( 87 lbs )	2020	

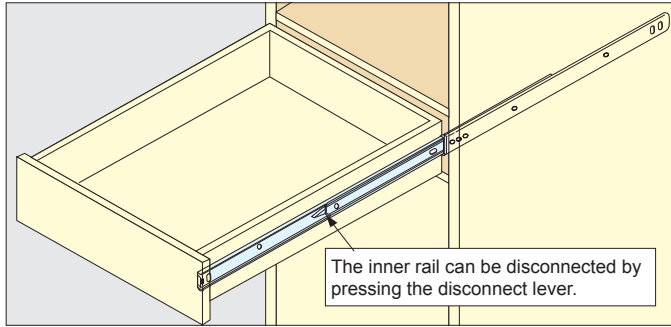


# FULL EXTENSION SLIDE



# ESR-3813

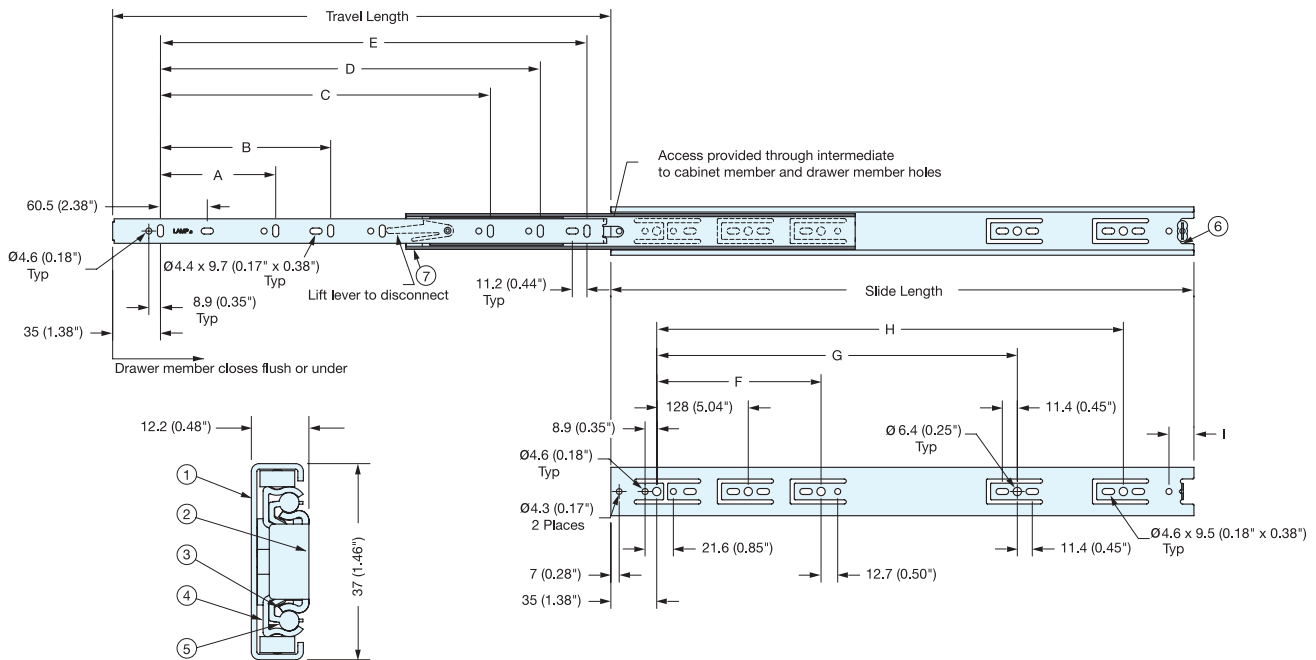
DRAWER SLIDES



- Full extension.
- Front disconnect.
- Positive stop.
- Hold-in detent.
- Non-handed.
- Sold in pairs.
- Mount with M4 or #8, Binding or Pan head screws.



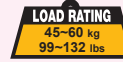
STAINLESS STEEL SLIDES



No.	Part	Material
①	Outer Rail	304 Stainless Steel
②	Inner Rail	
③	Retainer	
④	Intermediate Member	
⑤	Balls	Rubber
⑥	Detent	
⑦	Lift Lever	Plastic

Item No.	Slide Length	Travel Length	A	B	C	D	E	F	G	H	I	Load Rating (kg/pair)	Weight (g)	Box (Pair)
ESR-3813-8 ☆	200 ( 7-7/8" )	200 ( 7-7/8" )	-	-	-	-	142	-	-	-	-	45 (98 lbs)	400 (0.88 lbs)	10
ESR-3813-10	250 ( 9-27/32" )	243 ( 9-9/16" )	-	-	-	-	192	-	-	-	-	42 (92 lbs)	530 (1.19 lbs)	
ESR-3813-12	300 ( 11-13/16" )	305 ( 12" )	-	-	-	-	242	-	-	-	-	40 (88 lbs)	637 (1.40 lbs)	
ESR-3813-14	350 ( 13-25/32" )	355 ( 14" )	-	-	-	-	292	-	-	-	-	38 (84 lbs)	726 (1.60 lbs)	
ESR-3813-16	400 ( 15-3/4" )	406 ( 16" )	-	-	-	-	342	-	320	-	-	36 (79 lbs)	816 (1.80 lbs)	
ESR-3813-18	450 ( 17-23/32" )	457 ( 18" )	128	-	-	-	392	224	352	-	19.1	34 (75 lbs)	910 (2.00 lbs)	
ESR-3813-20	500 ( 19-11/16" )	508 ( 20" )	-	-	320	-	442	-	416	-	-	33 (73 lbs)	1000 (2.20 lbs)	
ESR-3813-22	550 ( 21-21/32" )	559 ( 22" )	-	-	-	416	492	-	-	448	-	31 (68 lbs)	1090 (2.40 lbs)	
ESR-3813-24	600 ( 23-5/8" )	610 ( 24" )	-	224	416	-	542	-	352	480	-	29 (64 lbs)	1180 (2.60 lbs)	

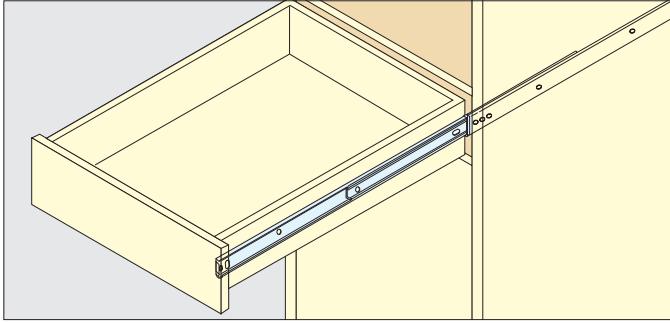
# FULL EXTENSION SLIDE



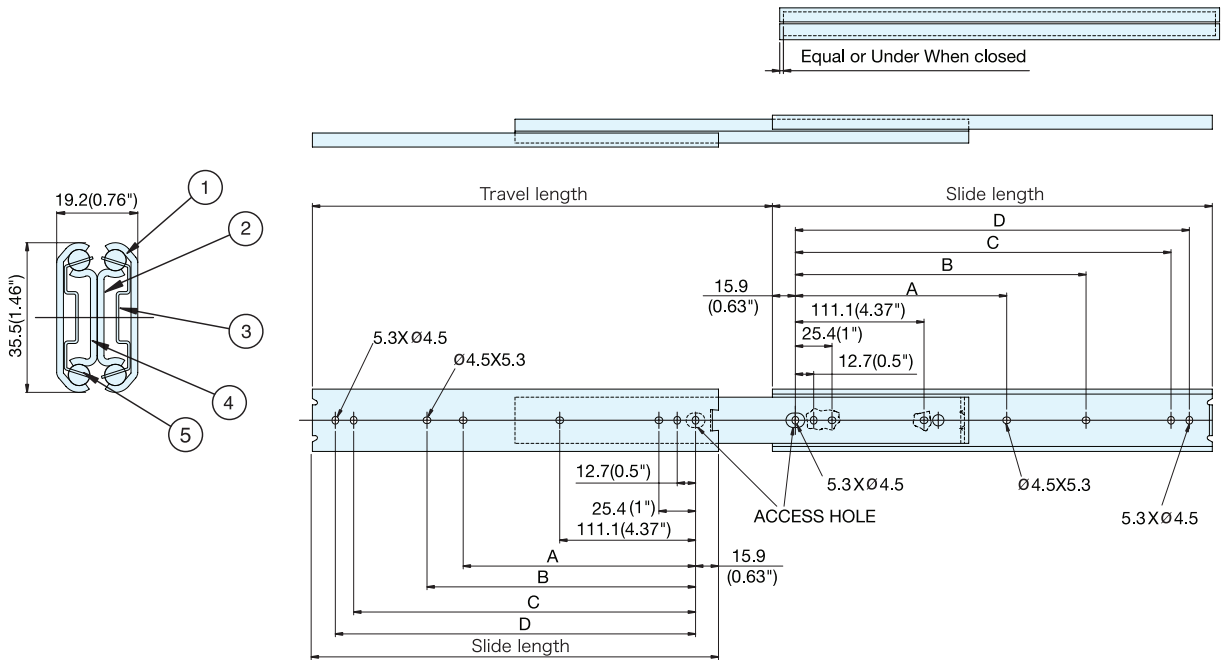
# ESR-6

DRAWER SLIDES

STAINLESS STEEL SLIDES



- Full extension.
- Positive stop.
- Non-handed.
- Sold by each.
- Mount with M4 or #8 Binding, Pan, or Truss head screws.



25.4 mm=1"

No.	Part	Material
①	Outer Rail	304 Stainless Steel
②	Inner Rail	
③	Retainer	
④	Intermediate Member	
⑤	Balls	

Item No.	Slide Length	Travel Length	A	B	C	D	# of Holes Outer Rail	Load Rating (kg/pair)	Weight (g)	Box (pcs)
ESR-6-12	304.8 (12")	326 (12-27/32")	-	149.2	260.3	273.0	7	60 (132 lbs)	610	16
ESR-6-14	355.6 (14")	377 (14-27/32")	-	200	311.1	323.8		59 (130 lbs)	710	
ESR-6-16	406.4 (16")	428 (16-27/32")	-	250.8	361.9	374.6		57 (126 lbs)	810	
ESR-6-18	457.2 (18")	479 (18-55/64")	212.7	301.6	412.7	425.4	8	56 (123 lbs)	920	
ESR-6-20	508.0 (20")	529 (20-53/64")	238.1	352.4	463.5	476.2		53 (117 lbs)	980	
ESR-6-22	558.8 (22")	580 (22-27/32")	263.5	403.2	514.3	527.0		51 (112 lbs)	1120	
ESR-6-24	609.6 (24")	631 (24-27/32")	288.9	454.0	565.1	577.8		49 (108 lbs)	1230	
ESR-6-26	660.4 (26")	682 (26-26/32")	314.3	504.8	615.9	628.6		47 (104 lbs)	1330	
ESR-6-28	711.2 (28")	732 (28-13/16")	339.7	555.6	666.7	679.4		45 ( 99 lbs)	1440	

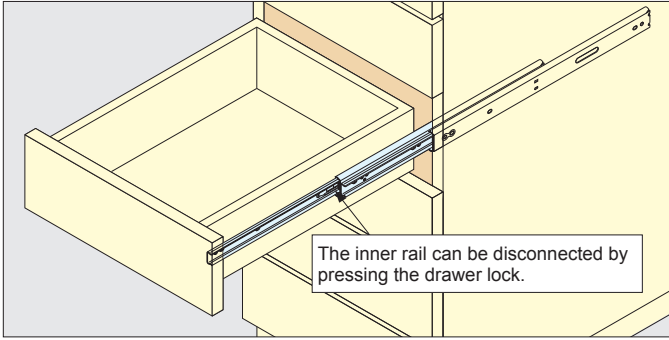
# FULL EXTENSION SLIDE



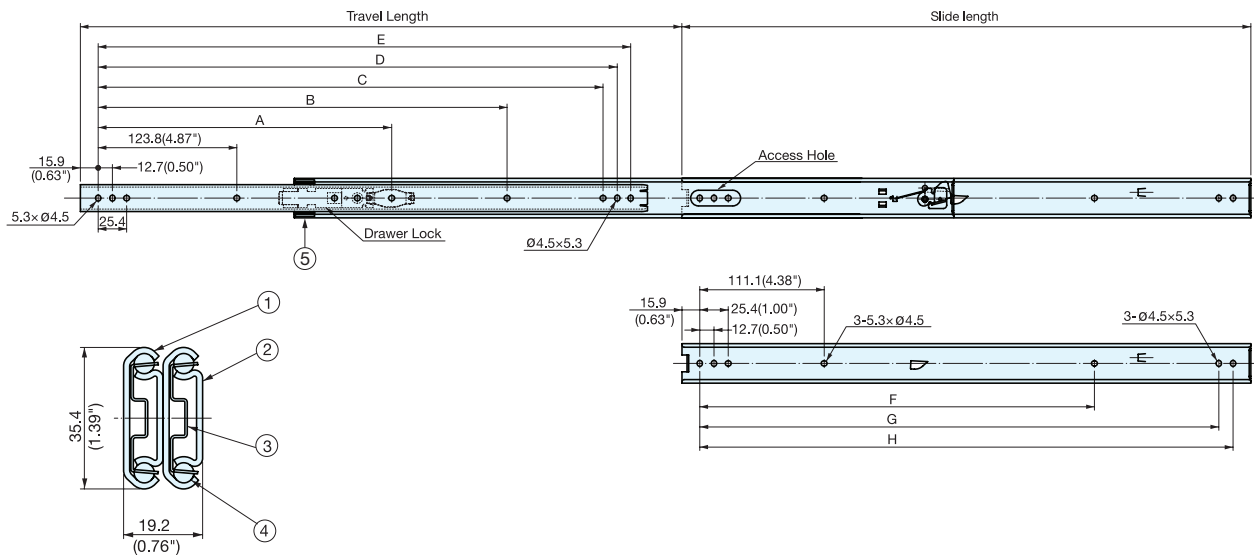
# ESR-7

DRAWER SLIDES

STAINLESS STEEL SLIDES



- Full extension.
- Front disconnect.
- Positive lock.
- Non-handed.
- Sold by each.
- Mount with M4 or #8 Binding, Pan, or Truss head screws.



25.4 mm=1"

No.	Part	Material
①	Outer Rail	304 Stainless Steel
②	Inner Rail	
③	Retainer	
④	Balls	
⑤	Guide Block	Polyacetal

Item No.	Slide Length	Travel Length	A	B	C	D	E	F	G	H	# of Holes		Load Rating (kg/pair)	Weight (g)	Box (pcs)
											Inner Rail	Outer Rail			
ESR-7-12	304.8 (12")	336.0 (13-7/32")	-	-	-	260.3	273.0	-	260.3	273.0	5	6	64 (139 lbs)	640	16
ESR-7-14	355.6 (14")	386.8 (15-7/32")	-	-	-	311.1	323.8	-	311.1	323.8	5	6	60 (131 lbs)	740	
ESR-7-16	406.4 (16")	437.6 (17-7/32")	-	-	349.2	361.9	374.6	250.8	361.9	374.6	6	6	57 (124 lbs)	840	
ESR-7-18	457.2 (18")	488.4 (19-7/32")	212.7	-	400.0	412.7	425.4	301.6	412.7	425.4	7	6	53 (115 lbs)	950	
ESR-7-20	508.0 (20")	539.2 (21-7/32")	238.1	-	450.8	463.5	476.2	352.4	463.5	476.2	7	6	49 (106 lbs)	1030	
ESR-7-22	558.8 (22")	590.0 (23-7/32")	263.5	415.9	501.6	514.3	527.0	403.2	514.3	527.0	8	7	45 (99 lbs)	1150	
ESR-7-24	609.6 (24")	640.8 (25-7/32")	288.9	466.7	552.4	565.1	577.8	454.0	565.1	577.8	8	7	42 (92 lbs)	1280	
ESR-7-26	660.4 (26")	691.6 (27-7/32")	314.3	517.5	603.2	615.9	628.6	504.8	615.9	628.6	8	7	39 (85 lbs)	1400	
ESR-7-28	711.2 (28")	742.4 (29-7/32")	339.7	568.3	654.0	666.7	679.4	555.6	666.7	679.4	8	7	36 (79 lbs)	1500	

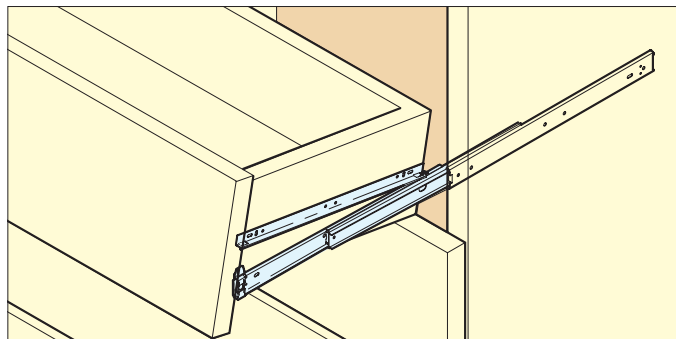
# FULL EXTENSION SLIDE



# ESR-3

DRAWER SLIDES

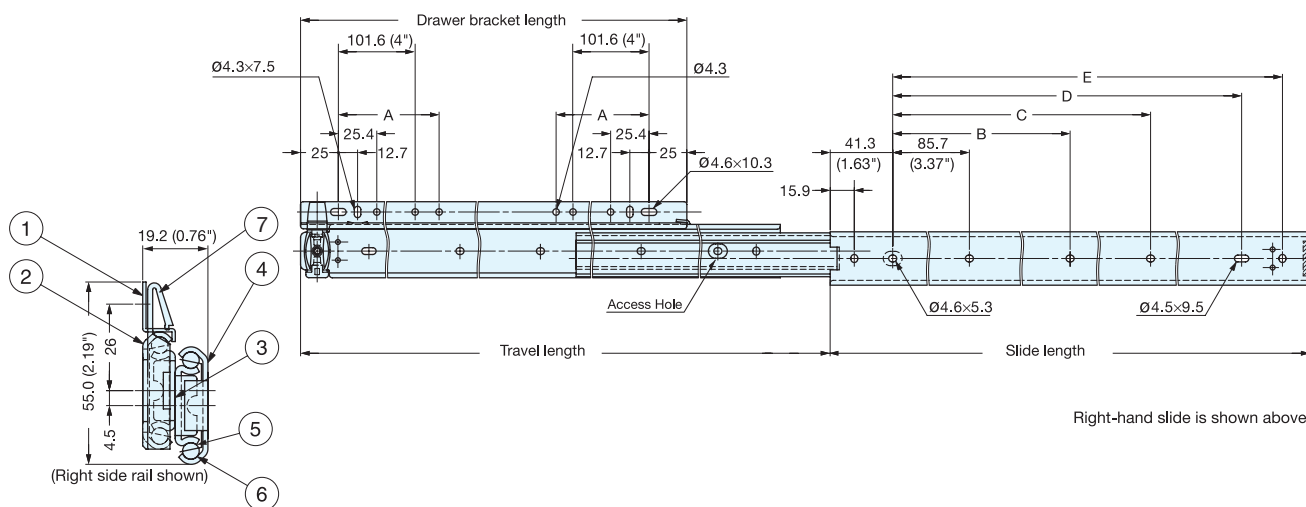
STAINLESS STEEL SLIDES



- Handed.
- Full extension.
- Quick disconnect.
- Positive stop.
- Sold in pairs.
- Mount with M4 or #8 Binding, Pan, or Truss head screws.



Drawer Bracket



Right-hand slide is shown above.

25.4 mm=1"

No.	Part	Material
①	Drawer Bracket	304 Stainless Steel
②	Inner Rail	
③	Intermediate Member	
④	Outer Rail	
⑤	Retainer	
⑥	Balls	
⑦	Disconnect Lever	Plastic

Item No.	Slide Length	Travel Length	Drawer Bracket Length	A	B	C	D	E	# of Holes Outer Rail	Load Rating (kg/pair)	Weight (g)	Box (Pair)	
ESR-3-12	304.8 (12")	348.4 (13-23/32")	273.0 ( 10-3/4" )	177.8	-	123.1	218.3	245.3	6	65 (143 lbs)	1400	6	
ESR-3-14	355.6 (14")	399.2 (15-23/32")	273.0 ( 10-3/4" )			173.9	269.1	296.1		61 (134 lbs)	1600		
ESR-3-16	406.4 (16")	450.0 (17-23/32")	375.0 (14-49/64")			224.7	319.9	346.9		61 (134 lbs)	1900		
ESR-3-18	457.2 (18")	500.8 (19-23/32")	375.0 (14-49/64")			187.3	275.5	370.7		397.7	56 (123 lbs)		2100
ESR-3-20	508.0 (20")	551.6 (21-23/32")	375.0 (14-49/64")			212.7	326.3	421.5		448.5	52 (114 lbs)		2300
ESR-3-22	558.8 (22")	602.4 (23-23/32")	527.0 ( 20-3/4" )			238.1	377.1	472.3		499.3	52 (114 lbs)		2700
ESR-3-24	609.6 (24")	653.2 (25-23/32")	527.0 ( 20-3/4" )		263.5	427.9	523.1	550.1	48 (105 lbs)	3000			
ESR-3-26	660.4 (26")	704.0 (27-23/32")	575.3 (22-21/32")		288.9	478.7	573.9	600.9	43 (94 lbs )	3100			
ESR-3-28	711.2 (28")	754.8 (29-23/32")	575.3 (22-21/32")		314.3	529.5	624.7	651.7	43 (94 lbs )	3500			





# FULL EXTENSION SLIDE

STAINLESS  
**304**  
STEEL

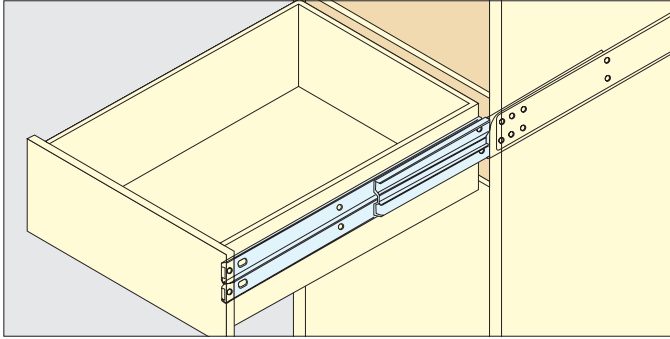
LOAD RATING  
182-272 kg  
400-599 lbs

NO SCREW

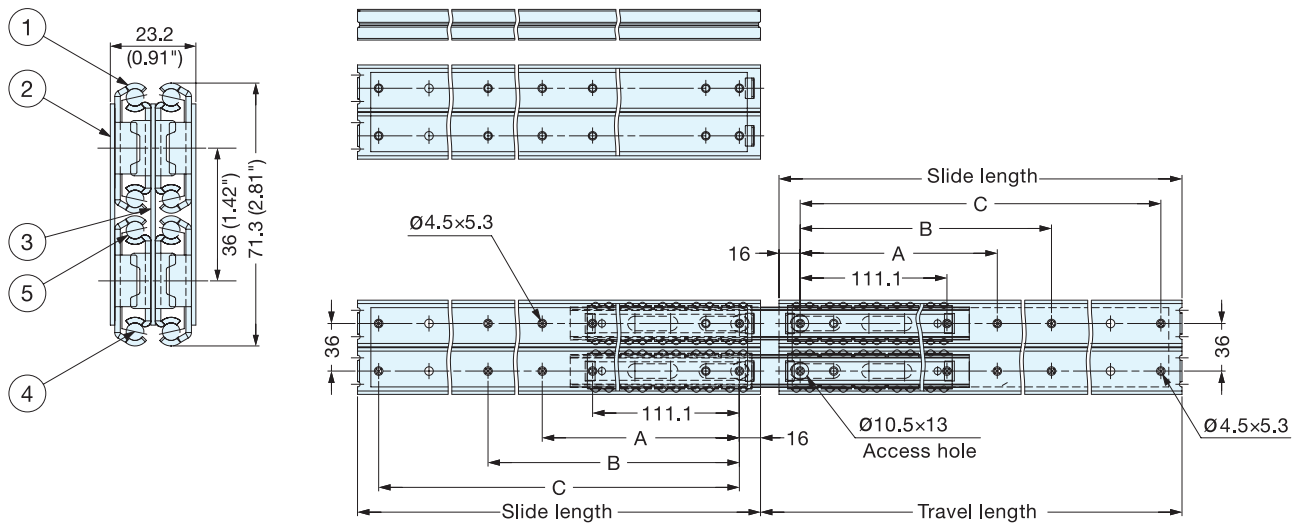
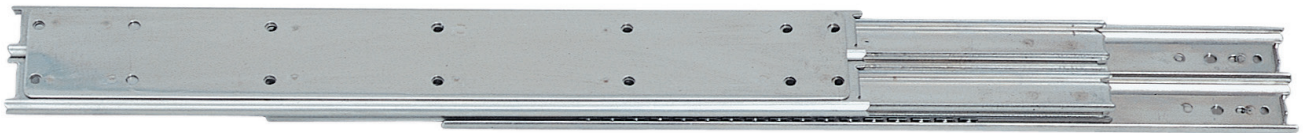
## ESR-10

DRAWER SLIDES

STAINLESS STEEL SLIDES



- Full extension.
- Positive stop.
- Non-handed.
- Heavy duty.
- Sold by each.
- Mount with M4 or #8 Binding, Pan, or Truss head screws.

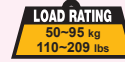


25.4 mm=1"

No.	Part	Material
①	Outer Rail	304 Stainless Steel
②	Tie Plate	
③	Intermediate Member	
④	Retainer	
⑤	Balls	

Item No.	Slide Length	Travel Length	A	B	C	# of Holes	Load Rating (kg/pair)	Weight (g)	Box (pcs)
ESR-10-12	305.0 (12")	319.0 (12-9/16")	-	149.2	273.0	16	272 (599 lbs)	1670	8
ESR-10-14	355.8 (14")	369.8 (14-9/16")	-	200.0	323.8		268 (590 lbs)	2000	
ESR-10-16	406.6 (16")	420.6 (16-9/16")	-	250.8	374.6		259 (570 lbs)	2340	
ESR-10-18	457.4 (18")	471.4 (18-9/16")	212.7	301.6	425.4	20	250 (550 lbs)	2500	6
ESR-10-20	508.2 (20")	522.2 (20-9/16")	238.1	352.4	476.2		241 (530 lbs)	2840	
ESR-10-22	559.0 (22")	573.0 (22-9/16")	263.5	403.2	527.0		229 (504 lbs)	3250	
ESR-10-24	609.8 (24")	623.8 (24-9/16")	288.9	454.0	577.8		216 (475 lbs)	3500	
ESR-10-26	660.6 (26")	674.6 (26-9/16")	314.3	504.8	628.6	20	200 (440 lbs)	3840	4
ESR-10-28	711.4 (28")	725.4 (28-9/16")	339.7	555.6	679.4		182 (400 lbs)	4170	

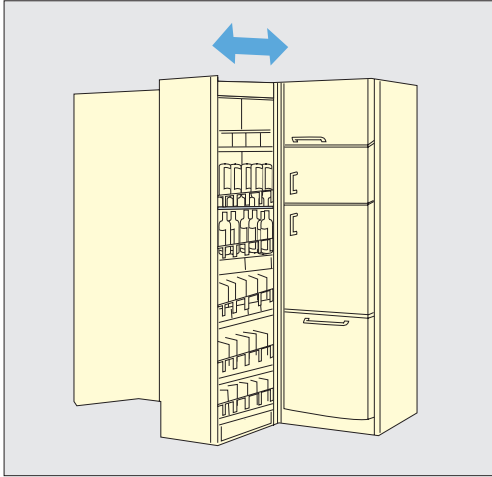
# FULL EXTENSION SLIDE



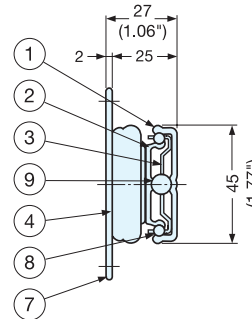
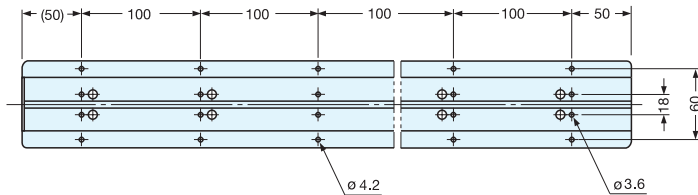
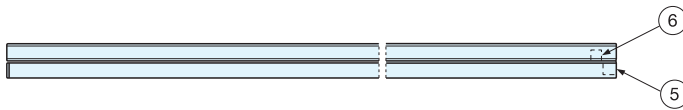
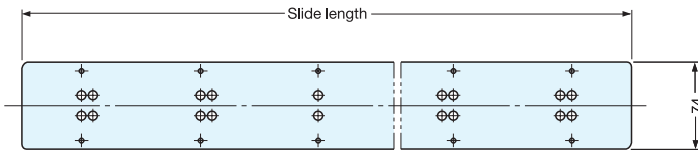
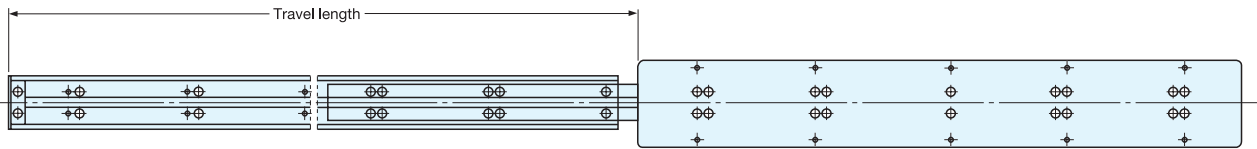
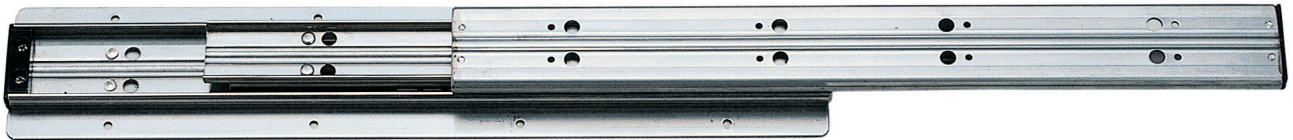
# TSS-3

DRAWER SLIDES

FULL EXTENSION SLIDES



- Full extension.
- Positive stop.
- Non-handed.
- Heavy duty.
- Sold by each.



25.4 mm=1"

No.	Part	Material
①	Outer Rail	304 Stainless Steel
②	Inner Rail	
③	Retainer	
④	End Stopper	Polyamide
⑤	Outer Guide	Polyacetal
⑥	Inner Guide	
⑦	Plate	304 Stainless Steel
⑧	Large Balls	Steel
⑨	Small Balls	

Item No.	Slide Length	Travel Length	# of Holes	Load Rating (kg/pair)	Weight (g)	Box (pcs)
TSS-3-300	300 (11-13/16")	336 ( 13-7/32" )	6	95 (209 lbs)	1380	4
TSS-3-400	400 ( 15-3/4" )	436 ( 17-5/32" )	8	90 (198 lbs)	1860	
TSS-3-500	500 (19-11/16")	536 ( 21-3/32" )	10	85 (187 lbs)	2390	
TSS-3-600	600 ( 23-5/8" )	636 ( 25-1/32" )	12	80 (176 lbs)	2880	
TSS-3-800	800 ( 31-1/2" )	836 ( 32-29/32" )	16	65 (143 lbs)	3790	
TSS-3-1000	1000 ( 39-3/8" )	1036 ( 40-25/32" )	20	50 (110 lbs)	4710	

# LINEAR ROLLER GUIDE SYSTEM (OVERVIEW) LGB30 SYSTEM



- Bearing roller used in guide block allows for smooth movement.
- LGB-30CM guide block features a noise-reducing design bearing roller using with plastic outer ring.
- Clearance between guide rail and guide block provides versatility.



GUIDE TRACK (LGB30)

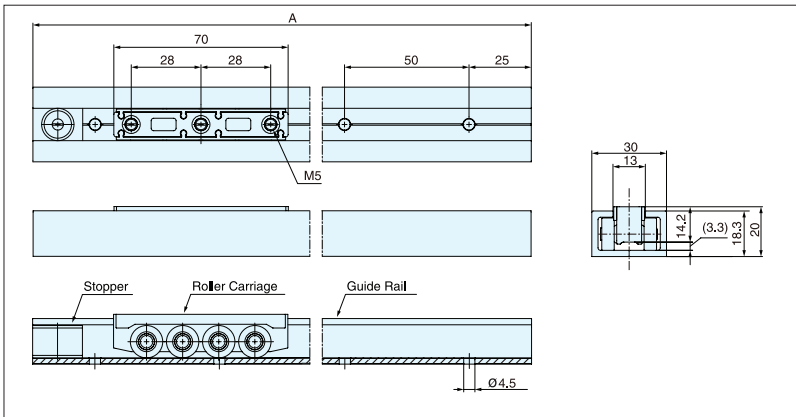


ROLLER CARRIAGE (LGB-30CM)



STOPPER (LGB30-ST)

## ■ INSTALLATION : Guide Rail, Roller Carriage, Stopper



GUIDE TRACK (LGB30)



ROLLER CARRIAGE (LGB-30CM)

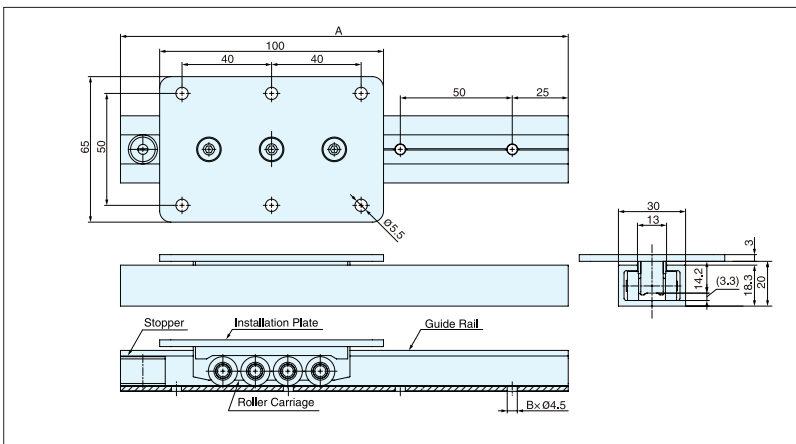


STOPPER (LGB30-ST)



INSTALLATION PLATE (LGB30-P65-100)

## ■ INSTALLATION : Guide Rail, Roller Carriage, Stopper, Installation Plate



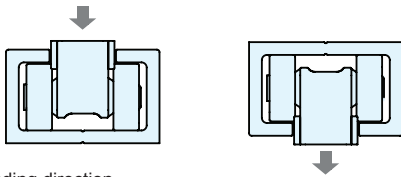
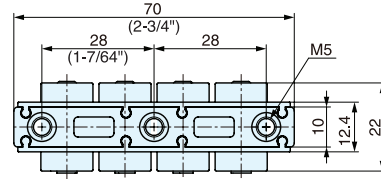
# ROLLER CARRIAGE



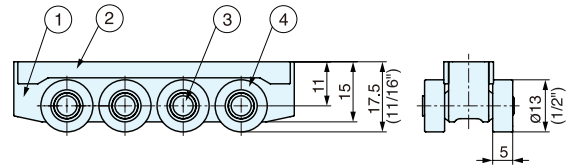
# LGB-30CM



- Slide roller carriage with bearing for smooth slide operation.
- To be used in the combination of LGB30 guide rail.



Loading direction  
Horizontal direction use only



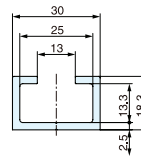
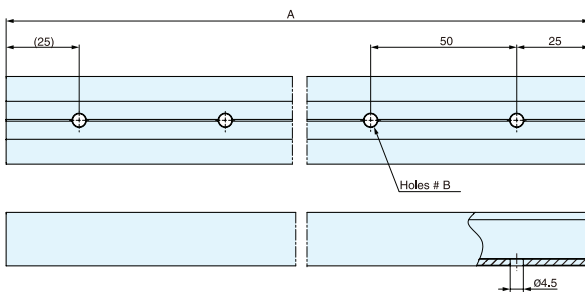
Item No.	Load Capacity (kgf)	Weight (g)
LGB-30CM	30 (66 lbs)	76

No.	Part Name	Material	Finish
①	Body	Zinc Alloy	Chrome
②	Plate	Polyethylene	Black
③	Shaft	304 Stainless Steel	Plain
④	Roller	Steel/Polyacetal	Black

# GUIDE RAIL



# LGB30



Item No.	A	B	Weight (g)
LGB30-400	400 ( 15-3/4" )	8	195
LGB30-800	800 ( 31-1/2" )	16	390
LGB30-2000	2000 (78-47/64")	40	875

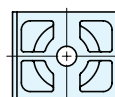
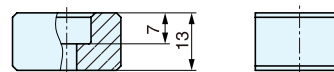
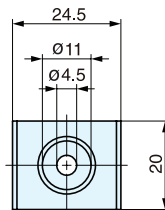
Material	Finish
Aluminum	Anodized

# STOPPER



# LGB30-ST

• Stopper for LGB-30CM Roller Carriage.



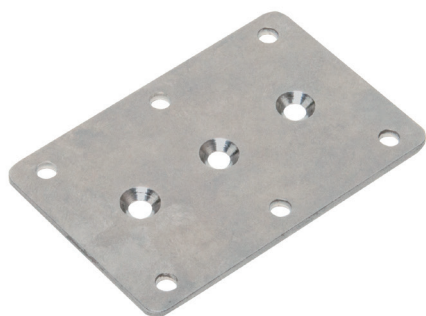
Item No.	Weight (g)	Material	Finish
LGB30-ST	5.6	Polyacetal	Black

# INSTALLATION PLATE

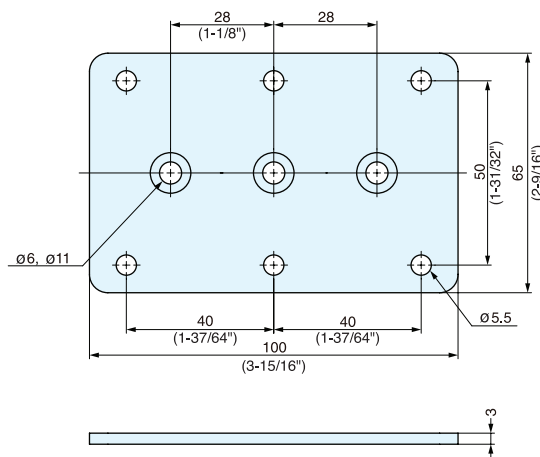


# LGB30-P65-100

• Installation to LGB-30CM roller carriage for any applications.



Installation with roller carriage and guide rail.



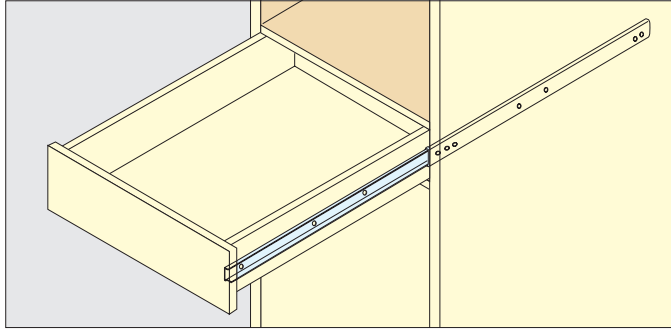
Item No.	Weight (g)	Material	Finish
LGB30-P65-100	137	304 Stainless Steel	Polished

# 3/4 EXTENSION SLIDE

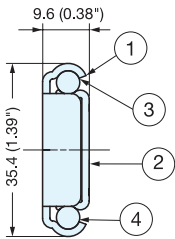
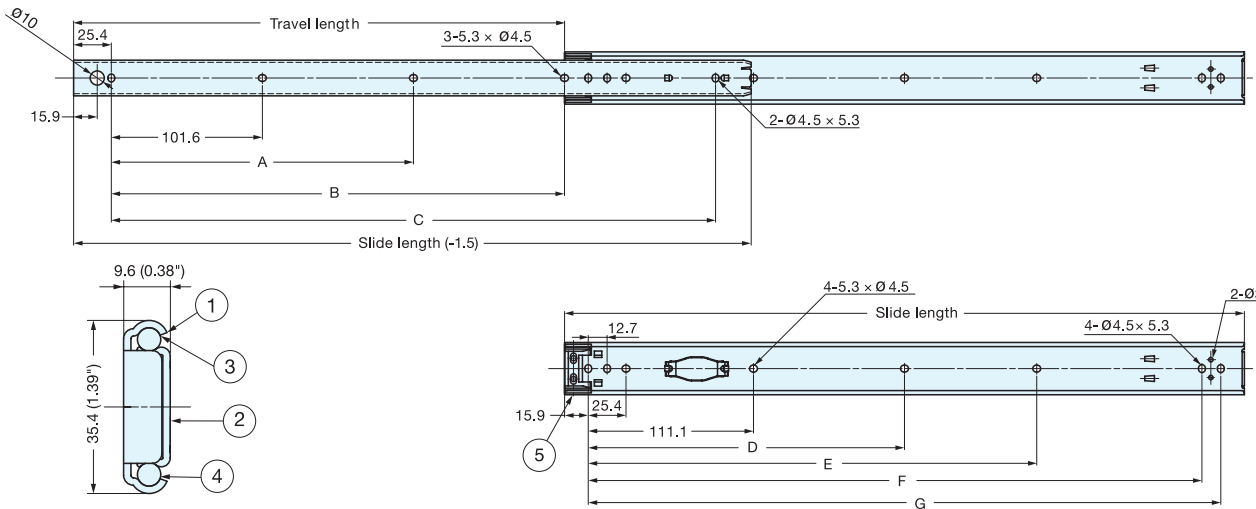


# ESR-1

DRAWER SLIDES



- 3/4 extension.
- Front disconnect.
- Friction brake stop.
- Non-handed.
- Sold by each.
- Mount with M4 or #8 Binding, Pan, or Truss head screws.



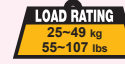
25.4 mm=1"

No.	Part	Material
①	Outer Rail	304 Stainless Steel
②	Inner Rail	
③	Retainer	
④	Balls	
⑤	Guide Block	Polyacetal

Item No.	Slide Length	Travel Length	A	B	C	D	E	F	G	# of Holes		Load Rating (kg/pair)	Weight (g)	Box (pcs)
										Inner Rail	Outer Rail			
ESR-1-12	304.8 (12")	228.6 ( 9")	-	152.4	254.0	-	149.2	260.3	273.0	4	7	49 (107 lbs)	300	30
ESR-1-14	355.6 (14")	279.4 (11")	-	203.2	304.8	-	200.0	311.1	323.8	4	7	47 (103 lbs)	360	
ESR-1-16	406.4 (16")	304.8 (12")	-	254.0	355.6	-	250.8	361.9	374.6	4	7	43 ( 94 lbs )	420	
ESR-1-18	457.2 (18")	330.2 (13")	203.2	304.8	406.4	212.7	301.6	412.7	425.4	5	8	41 ( 90 lbs )	460	
ESR-1-20	508.0 (20")	381.0 (15")	228.6	355.6	457.2	238.1	352.4	463.5	476.2			37 ( 81 lbs )	490	
ESR-1-22	558.8 (22")	406.4 (16")	254.0	406.4	508.0	263.5	403.2	514.3	527.0			34 ( 74 lbs )	560	
ESR-1-24	609.6 (24")	432.8 (17")	279.4	457.2	558.8	288.9	454.0	565.1	577.8			30 ( 66 lbs )	590	
ESR-1-26	660.4 (26")	482.6 (19")	304.8	508.0	609.6	314.3	504.8	615.9	628.6			27 ( 59 lbs )	660	
ESR-1-28	711.2 (28")	508.0 (20")	330.2	558.8	660.4	339.7	555.6	666.7	679.4			25 ( 55 lbs )	690	

STAINLESS STEEL SLIDES

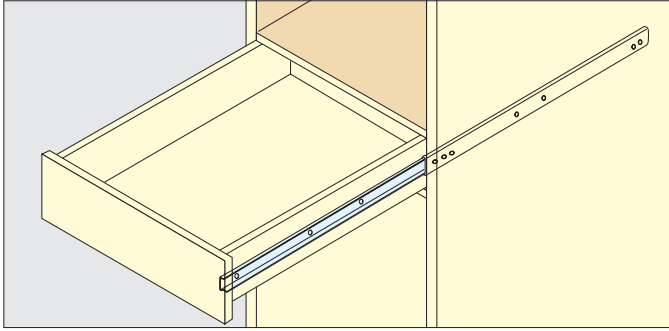
# 3/4 EXTENSION SLIDE



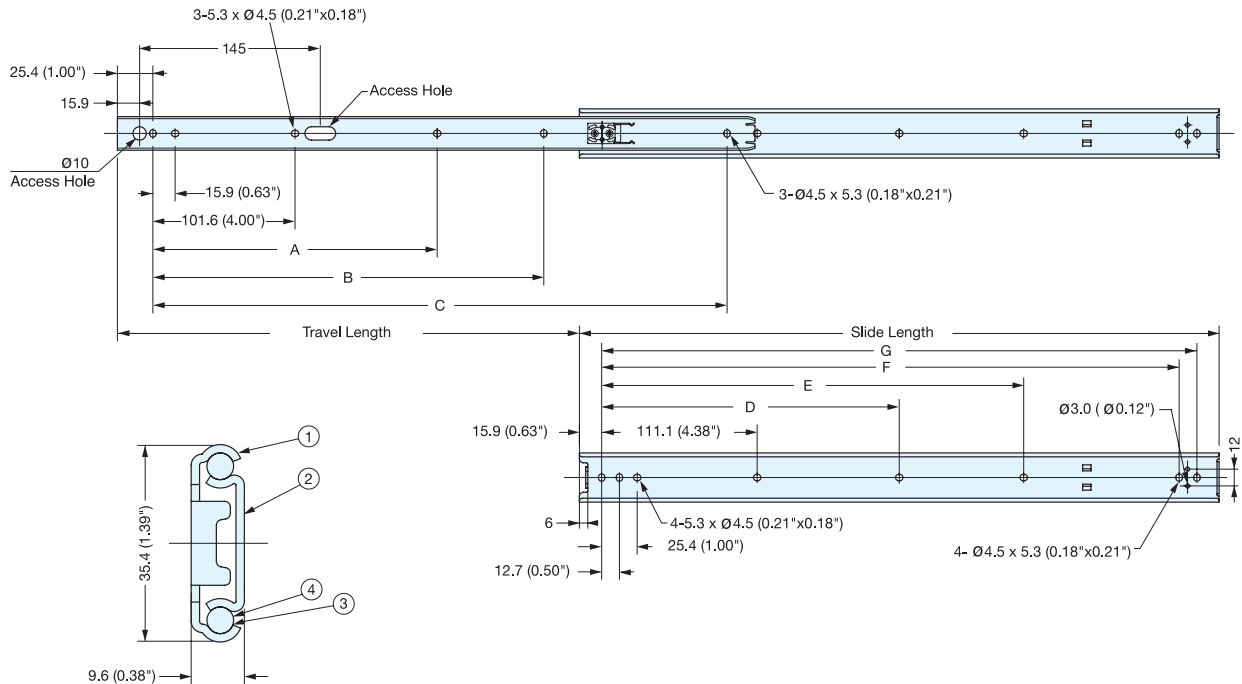
# ESR-13

DRAWER SLIDES

STAINLESS STEEL SLIDES



- 3/4 extension.
- Positive stop.
- Positive catch.
- Non-handed.
- Sold by each.
- Mount with M4 or #8 Binding, Pan, or Truss head screws.



25.4 mm=1"

No.	Part	Material
①	Outer Rail	304 Stainless Steel
②	Inner Rail	
③	Retainer	
④	Balls	

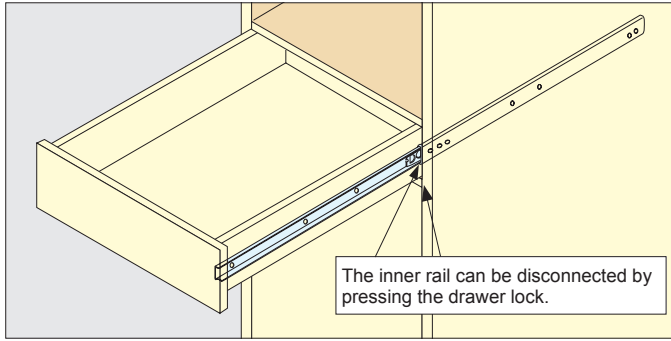
Item No.	Slide Length	Travel Length	A	B	C	D	E	F	G	# of Holes		Load Rating (kg/pair)	Weight (g)	Box (pcs)
										Inner Rail	Outer Rail			
ESR-13-12	304.8 (12")	228.6 (9")	-	177.8	258.0	-	149.2	260.3	273.0	4	7	49 (107 lbs)	330	30
ESR-13-14	355.6 (14")	279.4 (11")	-	228.6	308.8	-	200.0	311.1	323.8	4	7	47 (103 lbs)	380	
ESR-13-16	406.4 (16")	304.8 (12")	-	254.0	359.6	-	250.8	361.9	374.6	4	7	43 (94 lbs )	420	
ESR-13-18	457.2 (18")	330.2 (13")	203.2	279.4	410.4	212.7	301.6	412.7	425.4	5	8	41 (90 lbs )	490	
ESR-13-20	508.0 (20")	381.0 (15")	228.6	330.2	461.2	238.1	352.4	463.5	476.2			37 (81 lbs )	540	
ESR-13-22	558.8 (22")	406.4 (16")	254.0	355.6	512.0	263.5	403.2	514.3	527.0			34 (74 lbs )	590	
ESR-13-24	609.6 (24")	431.8 (17")	254.0	381.0	562.8	288.9	454.0	565.1	577.8			30 (66 lbs )	630	
ESR-13-26	660.4 (26")	482.6 (19")	254.0	431.8	613.6	314.3	504.8	615.9	628.6	27 (59 lbs )	680			
ESR-13-28	711.2 (28")	508.0 (20")	279.4	457.2	664.4	339.7	555.6	666.7	679.4	25 (55 lbs )	750			

# 3/4 EXTENSION SLIDE



# ESR-8

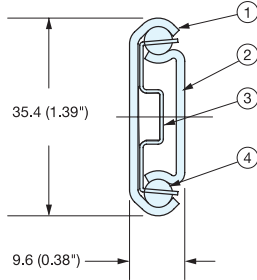
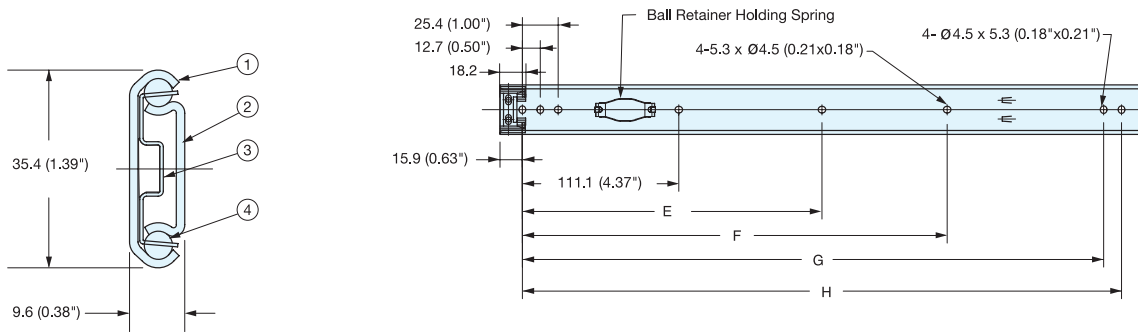
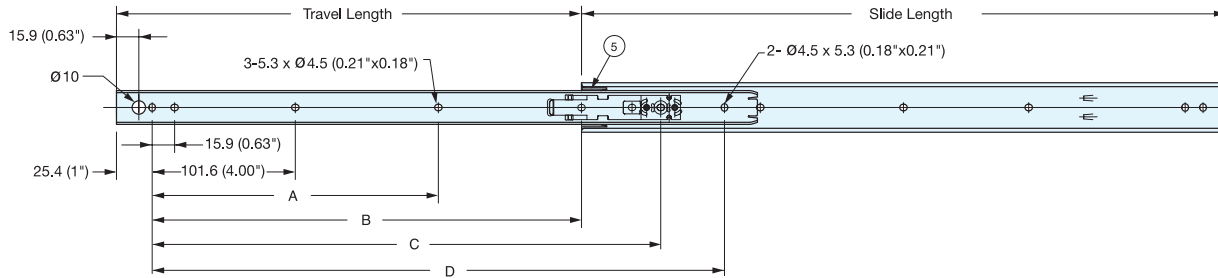
DRAWER SLIDES



- 3/4 extension.
- Positive lock.
- Front disconnect.
- Non-handed.
- Sold by each.
- Mount with M4 or #8 Binding, Pan, or Truss head screws.



STAINLESS STEEL SLIDES



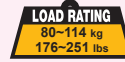
25.4 mm=1"

No.	Part	Material
①	Outer Rail	304 Stainless Steel
②	Inner Rail	
③	Retainer	
④	Balls	Polyacetal
⑤	Guide Block	

Item No.	Slide Length	Travel Length	A	B	C	D	E	F	G	H	# of Holes		Load Rating (kg/pair)	Weight (g)	Box (pcs)
											Inner Rail	Outer Rail			
ESR-8-12	304.8 (12")	228.6 ( 9" )	-	152.4	259.5	-	-	149.2	260.3	273.0	4	7	49 (107 lbs)	310	20
ESR-8-14	355.6 (14")	279.4 ( 11" )	-	203.2	310.3	-	-	200.0	311.1	323.8	4	7	47 (103 lbs)	370	
ESR-8-16	406.4 (16")	304.8 ( 12" )	-	203.2	335.7	355.6	-	250.8	361.9	374.6	4	7	43 (94 lbs)	420	
ESR-8-18	457.2 (18")	330.2 ( 13" )	203.2	-	366.1	406.4	212.7	301.6	412.7	425.4	5	8	41 (90 lbs)	470	
ESR-8-20	508.0 (20")	381.0 ( 15" )	228.6	-	411.9	457.2	238.1	352.4	463.5	476.2	5	8	37 (81 lbs)	500	
ESR-8-22	558.8 (22")	406.4 ( 16" )	254.0	-	437.3	508.0	263.5	403.2	514.3	527.0	5	8	34 (74 lbs)	550	
ESR-8-24	609.6 (24")	432.8 (17-1/32")	279.4	-	463.7	558.8	288.9	454.0	565.1	577.8	5	8	30 (66 lbs)	600	
ESR-8-26	660.4 (26")	482.6 ( 19" )	304.8	-	513.5	609.6	314.3	504.8	615.9	628.6	5	8	27 (59 lbs)	670	
ESR-8-28	711.2 (28")	508.0 ( 20" )	330.2	-	558.8	660.4	339.7	555.6	666.7	679.4	5	8	25 (55 lbs)	680	



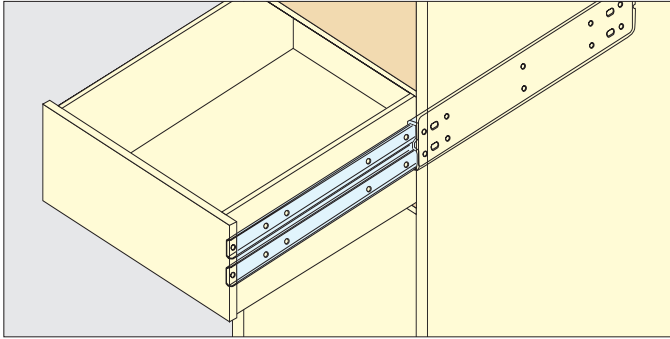
# 3/4 EXTENSION SLIDE



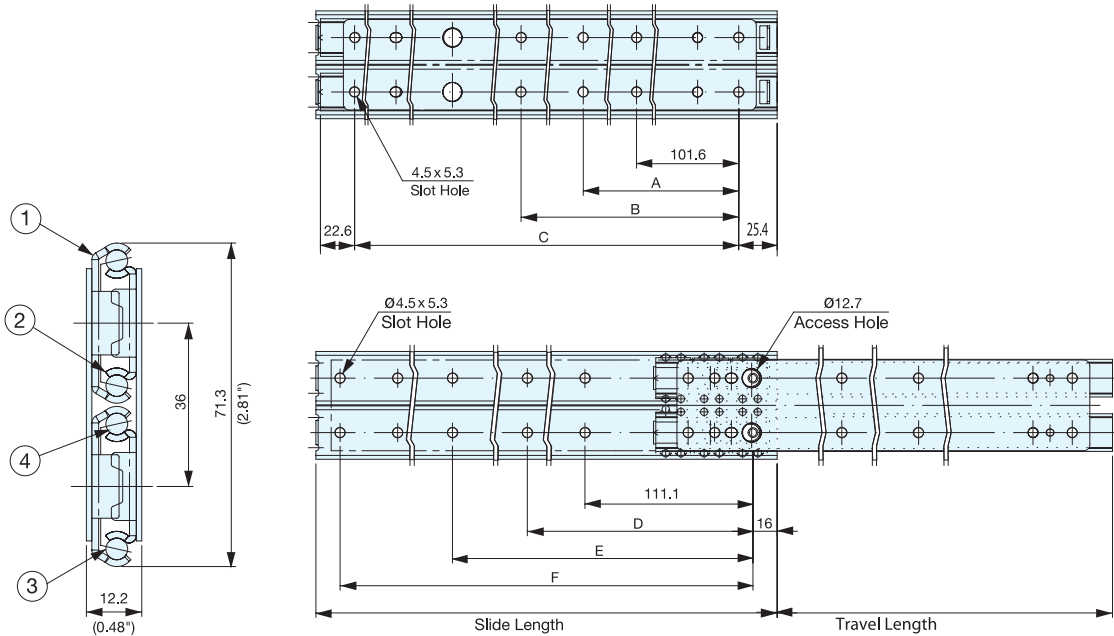
**ESR-5**

DRAWER SLIDES

STAINLESS STEEL SLIDES



- 3/4 extension.
- Positive stop.
- Non-handed.
- Heavy duty.
- Sold by each.
- Mount with M4 or #8 Binding, Pan, or Truss head screws.



25.4 mm=1"

No.	Part	Material
①	Outer Rail	304 Stainless Steel
②	Inner Rail	
③	Retainer	
④	Balls	

Item No.	Slide Length	Travel Length	A	B	C	D	E	F	# of Holes		Load Rating (kg/pair)	Weight (g)	Box (pcs)
									Inner Rail	Outer Rail			
ESR-5-12	305.0 (12")	221.8 (8-47/64")	-	152.4	254.0	-	149.2	273.0	6	8	114 (251 lbs)	920	12
ESR-5-14	355.8 (14")	259.9 (10-15/64")	-	203.2	304.8	-	200.0	323.8			109 (240 lbs)	1090	
ESR-5-16	406.6 (16")	298.0 (11-47/64")	-	254.0	355.6	-	250.8	374.6			104 (229 lbs)	1250	
ESR-5-18	457.4 (18")	348.8 (13-47/64")	203.2	304.8	406.4	212.7	301.6	425.4	6	10	102 (224 lbs)	1500	
ESR-5-20	508.2 (20")	361.5 (14-15/64")	228.6	355.6	457.2	238.1	352.4	476.2			99 (218 lbs)	1670	
ESR-5-22	559.0 (22")	425.0 (16-47/64")	254.0	406.4	508.0	263.5	403.2	527.0			94 (207 lbs)	1750	
ESR-5-24	609.8 (24")	450.4 (17-47/64")	279.4	457.2	558.8	288.9	454.0	577.8	6	10	89 (196 lbs)	1920	
ESR-5-26	660.6 (26")	463.1 (18-15/64")	304.8	508.0	609.6	314.3	504.8	628.6			86 (189 lbs)	2090	
ESR-5-28	711.4 (28")	501.2 (19-47/64")	330.2	558.8	660.4	339.7	555.6	679.4			80 (176 lbs)	2250	

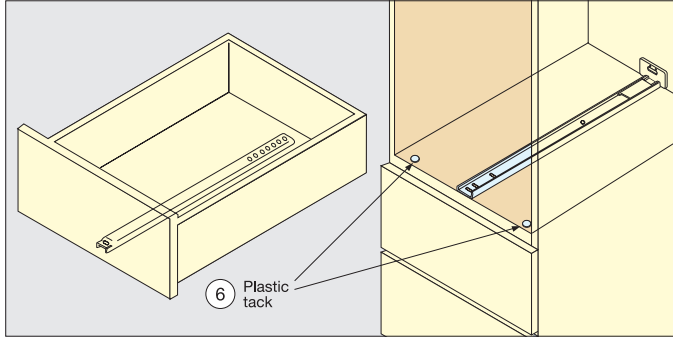
# 3/4 EXTENSION UNDERMOUNT SLIDE



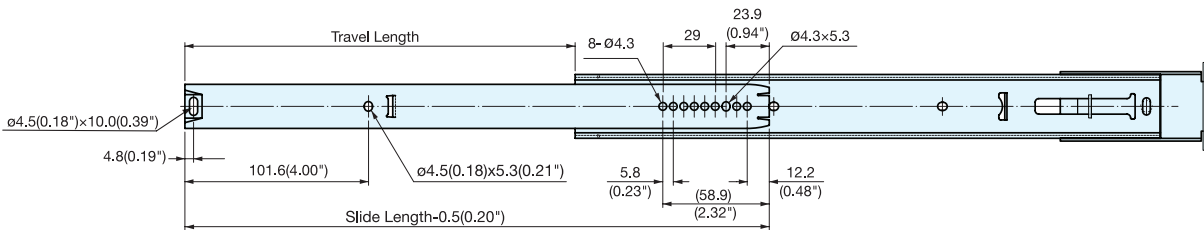
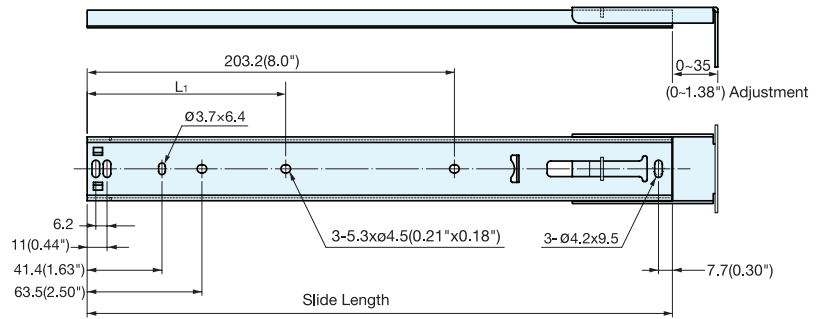
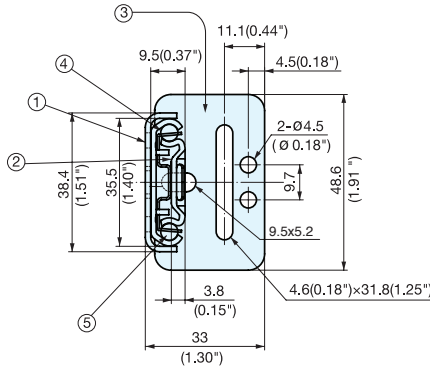
# ESR-2

DRAWER SLIDES

STAINLESS STEEL SLIDES



- Under carriage mounting with bracket.
- 3/4 extension.
- Front disconnect.
- Friction brake stop.
- Sold by each.
- Mount with M4 or #8 Binding, Pan, or Truss head screws.
- Two plastic tacks supplied per slide.



No.	Part	Material
①	Outer Rail	304 Stainless Steel
②	Inner Rail	
③	Bracket	
④	Retainer	
⑤	Balls	Polyamide
⑥	Plastic Tack	

Item No.	Slide Length	Travel Length	L <sub>1</sub>	# of Holes		Load Rating (kg/pc)	Weight (g)	Box (pcs)
				Inner Rail	Outer Rail			
ESR-2-12	323.8 (12-3/4")	215.9 ( 8-1/2")	109.9	11	7	8.0 (18 lbs)	340	20
ESR-2-14	374.6 (14-3/4")	266.7 (10-1/2")	160.7			7.5 (17 lbs)	400	
ESR-2-16	425.4 (16-3/4")	304.8 ( 12" )	-		6	7.0 (15 lbs)	450	
ESR-2-18	476.2 (18-3/4")	317.5 (12-1/2")	262.3			490		
ESR-2-20	527.0 (20-3/4")	368.3 (14-1/2")	313.1		7	6.5 (14 lbs)	530	
ESR-2-22	577.8 (22-3/4")	419.1 (16-1/2")	363.9			6.0 (13 lbs)	630	
ESR-2-24	628.6 (24-3/4")	444.5 (17-1/2")	414.7			5.5 (12 lbs)	690	
ESR-2-26	679.4 (26-3/4")	495.3 (19-1/2")	465.5			5.0 (11 lbs)	720	

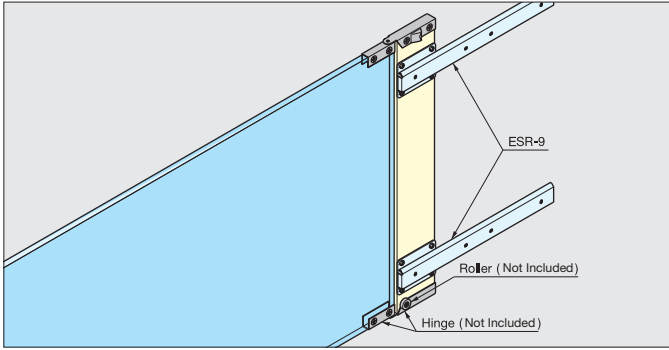
# LINEAR BALL BEARING GUIDE



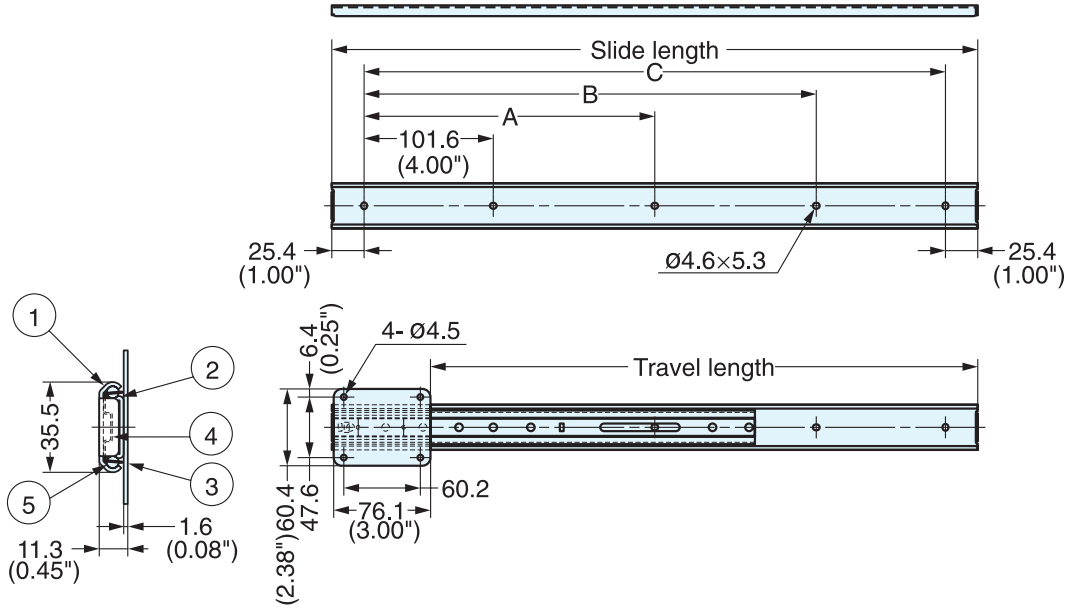
ESR-9

DRAWER SLIDES

STAINLESS STEEL SLIDES



- Non-handed.
- Mounting plate attached.
- Sold by each.
- Mount with M4 or #8 Binding, Pan, or Truss head screws.



25.4 mm=1"

No.	Part	Material
①	Outer Rail	304 Stainless Steel
②	Inner Rail	
③	Mounting Plate	
④	Retainer	
⑤	Balls	

Item No.	Slide Length	Travel Length	A	B	C	# of Holes Outer Rail	Load Rating (kg/pair)	Weight (g)	Box (pcs)
ESR-9-12	304.8 (12")	225 (8-7/8")	-	152.4	254.0	4	5 (11 lbs)	280	20
ESR-9-14	355.6 (14")	276 (10-7/8")	-	203.2	304.8			310	
ESR-9-16	406.4 (16")	327 (12-7/8")	-	254.0	355.6			342	
ESR-9-18	457.2 (18")	378 (14-7/8")	203.2	304.8	406.4	5		373	
ESR-9-20	508.0 (20")	428 (16-7/8")	228.6	355.6	457.2			404	
ESR-9-22	558.8 (22")	479 (18-7/8")	254.0	406.4	508.0			441	
ESR-9-24	609.6 (24")	530 (20-7/8")	279.4	457.2	558.8			472	
ESR-9-26	660.4 (26")	581 (22-7/8")	304.8	508.0	609.6			503	
ESR-9-28	711.2 (28")	632 (24-7/8")	330.2	558.8	660.4	536			

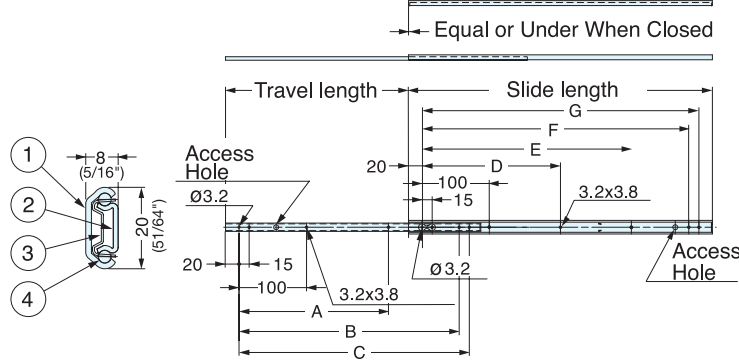
## 3/4 EXTENSION SLIDE (Low Profile)



## ESR-2021



- 3/4 extension.
- Positive stop.
- Non-handed.
- Requires #4 or M3 pan head screw.
- Sold by each.



No.	Part Name	Material	Finish/Color
①	Outer Rail	304 Stainless Steel	Plain
②	Inner Rail		
③	Retainer		
④	Balls		-

Item No.	Slide Length	Travel Length	A	B	C	D	E	F	G	Load Rating (kg/pair)	Box (pcs)
ESR-2021-200	200 ( 7-7/8" )	134 ( 5-9/32" )	-	145	160	-	-	145	160	13 (28 lbs)	200
ESR-2021-250	250 ( 9-27/32" )	184 ( 7-15/64" )	150	195	210			195	210	15 (33 lbs)	
ESR-2021-300	300 ( 11-13/16" )	224 ( 8-13/16" )	190	245	260			245	260	16 (35 lbs)	
ESR-2021-350	350 ( 13-25/32" )	244 ( 9-39/64" )	225	295	310			295	310	15 (33 lbs)	
ESR-2021-400	400 ( 15-3/4" )	294 ( 11-37/64" )	265	345	360			345	360	13 (28 lbs)	
ESR-2021-450	450 ( 17-23/32" )	334 ( 13-9/64" )	300	395	410	205	310	395	410	13 (28 lbs)	100
ESR-2021-500	500 ( 19-11/16" )	384 ( 15-7/64" )	337	445	460	230	360	445	460	11 (24 lbs)	

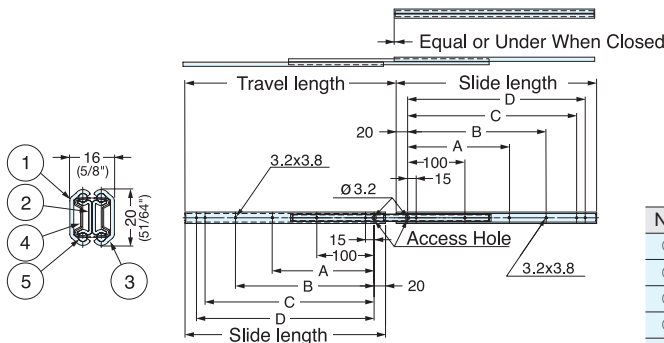
## FULL EXTENSION SLIDE



## ESR-2031



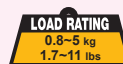
- Full extension.
- Positive stop.
- Non-handed.
- Requires #4 or M3 pan head screw.
- Sold by each.



No.	Part Name	Material	Finish/Color
①	Outer Rail	304 Stainless Steel	Plain
②	Intermediate Member		
③	Inner Rail		
④	Retainer		
⑤	Balls		-

Item No.	Slide Length	Travel Length	A	B	C	D	Load Rating (kg/pair)	Weight (g/pair)	Box (pcs)
ESR-2031-200	200 ( 7-7/8" )	229 ( 9-1/64" )	-	-	145	160	17 (37 lbs)	400	96
ESR-2031-250	250 ( 9-27/32" )	269 ( 10-19/32" )			195	210		500	
ESR-2031-300	300 ( 11-13/16" )	329 ( 12-61/64" )			245	260		600	
ESR-2031-350	350 ( 13-25/32" )	369 ( 14-17/32" )			295	310		700	
ESR-2031-400	400 ( 15-3/4" )	429 ( 16-57/64" )			345	360		800	
ESR-2031-450	450 ( 17-23/32" )	469 ( 18-15/32" )	205	310	395	410	16 (35 lbs)	900	48
ESR-2031-500	500 ( 19-11/16" )	529 ( 20-53/64" )	230	360	445	460	13 (28 lbs)	1000	

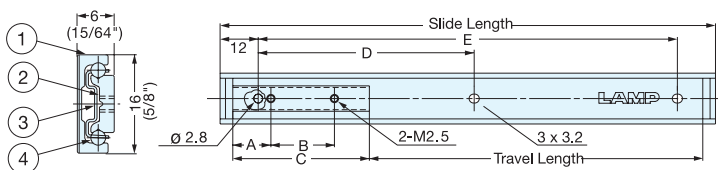
# ALUMINUM MINI GUIDE



# ARL2-16



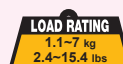
- Thin profile for various applications.
- Light-weight aluminum body.
- Sold by each.



No.	Part Name	Material	Finish
①	Outer Rail	Aluminum	Anodized
②	Inner Rail		
③	Retainer	Steel	Plain
④	Balls		

Item No.	Slide Length	Travel Length	A	B	C	D	E	Load Rating (kg/pair)		Weight (g/piece)	Box (pcs)
ARL2-16-70	70 ( 2-3/4" )	30 ( 1-11/64" )	5	18	28	-	46	2 ( 4.4 lbs)	0.8 ( 1.7 lbs)	13.5	100
ARL2-16-100	100 ( 3-15/16" )	52 ( 2-3/64" )	10	19	39	38	76	5 ( 11.0 lbs)	1.8 ( 4.0 lbs)	18.0	
ARL2-16-150	150 ( 5-29/32" )	99 ( 3-57/64" )								63	

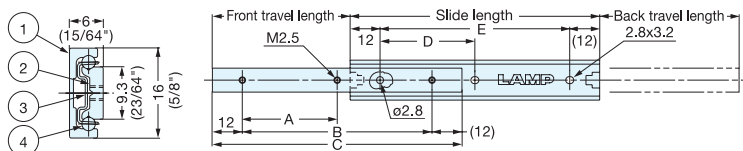
# ALUMINUM MINI SLIDE (2-WAY)



# ARW2-16



- Two-way travel.
- Thin profile for various applications.
- Light-weight aluminum body.
- Designed without positive stop for ease of assembly.
- Please add secondary stopper if necessary.
- Sold by each.



No.	Part Name	Material	Finish
①	Outer Rail	Aluminum	Anodized
②	Inner Rail		
③	Retainer	Steel	Plain
④	Balls		

Item No.	Slide Length	Front Travel Length	Back Travel Length	A	B	C	D	E	Load Rating (kg/pair)		Weight (g/piece)	Box (pcs)
ARW2-16-70	70 ( 2-3/4" )	32 ( 1-1/4" )	32 ( 1-1/4" )	-	46	70	-	46	3 ( 6.6 lbs)	1.1 ( 2.4 lbs)	15.5	100
ARW2-16-100	100 ( 3-15/16" )	40 ( 1-37/64" )	40 ( 1-37/64" )	38	76	100	38	76	5 ( 11.0 lbs)	2.0 ( 4.4 lbs)	21.5	
ARW2-16-150	150 ( 5-29/32" )	79 ( 3-7/64" )	79 ( 3-7/64" )	63	129	150	63	126	7 ( 15.4 lbs)	3.1 ( 6.8 lbs)	29.5	

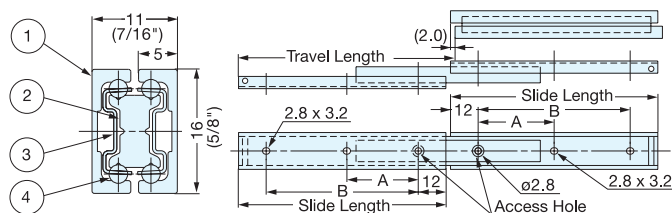
# ALUMINUM MINI SLIDE



# AR3-16



- Full extension.
- Positive stop.
- Thin profile for various applications.
- Light-weight aluminum body.
- Sold by each.



No.	Part Name	Material	Finish
①	Outer Rail	Aluminum	Anodized
②	Inner Rail		
③	Retainer	Steel	Plain
④	Balls		

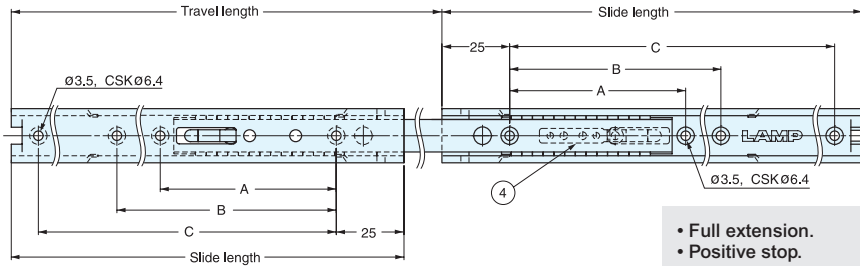
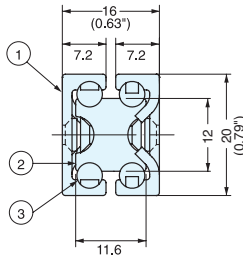
Item No.	Slide Length	Travel Length	A	B	Load Rating (kg/pair)	Weight (g/piece)	Box (pcs)
AR3-16-80	80 ( 3-9/64" )	77 ( 3-1/32" )	-	56	2 ( 4.4 lbs)	31.5	50
AR3-16-100	100 ( 3-15/16" )	117 ( 4-19/32" )	38	76	3 ( 6.6 lbs)	36.0	
AR3-16-150	150 ( 5-29/32" )	151 ( 5-15/16" )	63	126	4 ( 8.8 lbs)	55.0	



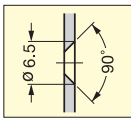
# FULL EXTENSION SLIDE (W/HOLD-OUT DETENT)



# AR3-K



- Full extension.
- Positive stop.
- Non-handed.
- Hold-out detent.
- Sold by each.



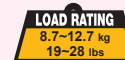
Hole Dimension (Outer Rail)

25.4 mm=1"

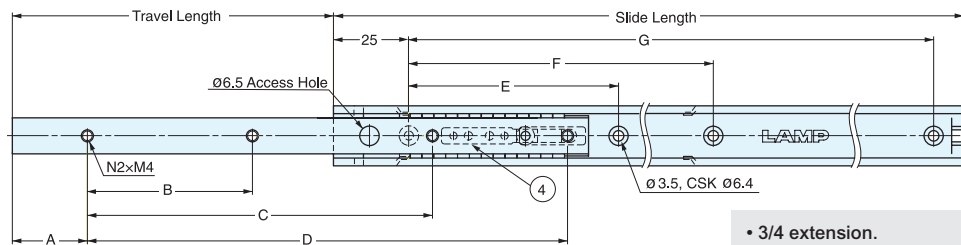
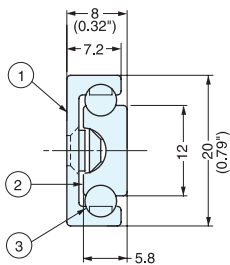
No.	Part	Material	Finish
①	Outer Rail	Aluminum	Anodized
②	Inner Rail		
③	Balls	Steel	-
④	Detent Catch	304 Stainless Steel	-

Item No.	Slide Length	Travel Length	A	B	C	Load Rating (kg/pair)	Weight (g)	Box (pcs)
AR3-K200	200 ( 7-7/8" )	214 ( 8-53/64" )	150	-	-	10.7 (23 lbs)	130	30
AR3-K300	300 (11-13/16")	314 (12-23/64")	130	250	-	10.2 (22 lbs)	198	
AR3-K400	400 ( 15-3/4" )	414 (16-19/64")		350	-	9.2 (20 lbs)	263	20
AR3-K500	500 (19-11/16")	514 (20-15/64")		450	-	8.7 (19 lbs)	304	

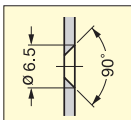
# 3/4 EXTENSION SLIDE (W/HOLD-OUT DETENT)



# AR2-K



- 3/4 extension.
- Positive stop.
- Non-handed.
- Hold-out detent.
- Sold by each.



Hole Dimension (Outer Rail)

25.4 mm=1"

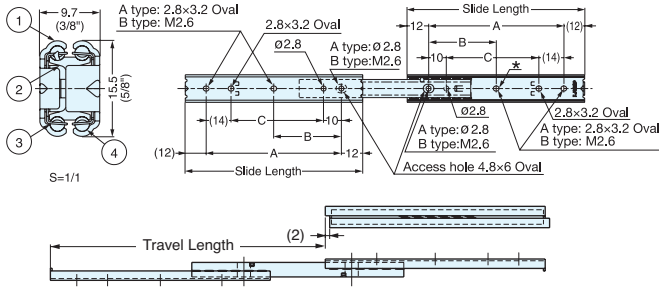
No.	Part	Material	Finish
①	Outer Rail	Aluminum	Anodized
②	Inner Rail		
③	Balls	Steel	-
④	Detent Catch	304 Stainless Steel	-

Item No.	Slide Length	Travel Length	A	B	C	D	E	F	G	Load Rating (kg/pair)	Weight (g)	Box (pcs)
AR2-K200	200 ( 7-7/8" )	110 ( 4-7/16" )	25	60	160	-	150	-	-	12.7 (28 lbs)	64	50
AR2-K300	300 (11-13/16")	170 ( 6-11/16" )	45	100	230	-	130	250	-	11.2 (25 lbs)	97	
AR2-K400	400 ( 15-3/4" )	230 ( 9-1/16" )	45	150	270	330	130	280	350	9.7 (21 lbs)	130	
AR2-K500	500 (19-11/16")	290 (11-27/64")	45	190	340	430	130	280	450	8.7 (19 lbs)	162	

# FULL EXTENSION MINI SLIDE



## SCR3



- Full extension.
- High precision design.
- Thin profile for various applications.
- Types with slide length 80 mm have no holes marked with(\*)



B type shown.

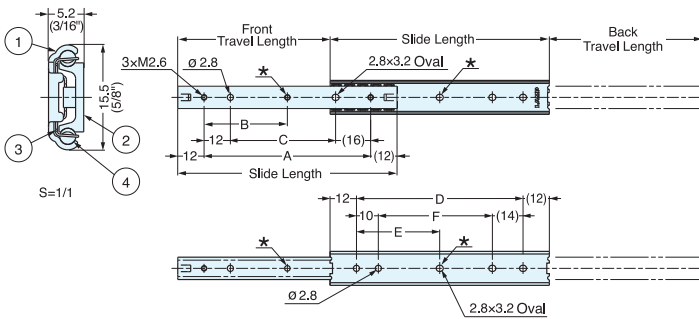
Item No.	Holes	Slide Length	Travel Length	A	B	C	Load Capacity kgf/pair	Weight (g/pc)	Box (pcs)	Carton (pcs)
SCR3-15-80A	A Type (Through Hole)	80 ( 3-1/8" )	97 ( 3-13/16" )	56	-	32	10 ( 22.0 lbs)	36	50	200
SCR3-15-100A		100 ( 3-15/16" )	125 ( 4-15/16" )	76	38	52	11 ( 24.2 lbs)	45		
SCR3-15-150A		150 ( 5-7/8" )	177 ( 6-15/16" )	126	63	102	12 ( 26.4 lbs)	70		
SCR3-15-80B	B Type (Screw Hole)	80 ( 3-1/8" )	97 ( 3-13/16" )	56	-	32	10 ( 22.0 lbs)	36		
SCR3-15-100B		100 ( 3-15/16" )	125 ( 4-15/16" )	76	38	52	11 ( 24.2 lbs)	45		
SCR3-15-150B		150 ( 5-7/8" )	177 ( 6-15/16" )	126	63	102	12 ( 26.4 lbs)	70		

No.	Part Name	Material
①	Outer Rail	304 Stainless Steel
②	Inner Rail	
③	Retainer	Steel
④	Balls	

# 3/4 EXTENSION MINI SLIDE (2-WAY)



## SCRW2



- Two-way travel.
- Thin profile for various applications.
- Types with slide length 80 mm have no holes marked with(\*)



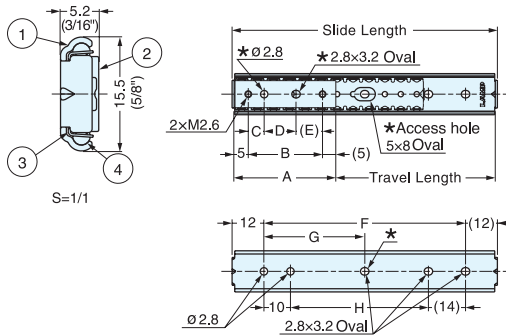
No.	Part Name	Material
①	Outer Rail	304 Stainless Steel
②	Inner Rail	
③	Retainer	Steel
④	Balls	

Item No.	Slide Length	Front Travel Length	Back Travel Length	A	B	C	D	E	F	Load Capacity kgf/pair	Weight (g/pc)	Box (pcs)	Carton (pcs)
SCRW2-15-80A	80 ( 3-1/8" )	48.5 ( 1-7/8" )	48.5 ( 1-7/8" )	56	-	28	56	-	32	14 ( 30.8 lbs)	21	200	400
SCRW2-15-100A	100 ( 3-15/16" )	68.5 ( 2-11/16" )	68.5 ( 2-11/16" )	76	38	48	76	38	52	16 ( 35.2 lbs)	26		
SCRW2-15-150A	150 ( 5-7/8" )	94.5 ( 3-3/4" )	94.5 ( 3-3/4" )	126	63	98	126	63	102	18 ( 39.6 lbs)	41	100	200

# STAINLESS STEEL MINI GUIDE



## SCRL2



- Thin profile for various applications.
- Types with slide length 80 mm have no holes marked with(\*)



No.	Part Name	Material
①	Outer Rail	304 Stainless Steel
②	Inner Rail	
③	Retainer	Steel
④	Balls	

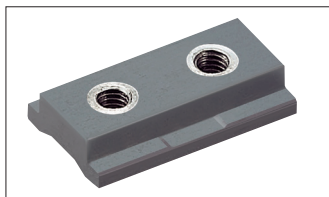
Item No.	Slide Length	Travel Length	A	B	C	D	E	F	G	H	Load Capacity kgf/pair	Weight (g/pc)	Box (pcs)	Carton (pcs)
SCRL2-15-80A	80 ( 3-1/8" )	49 ( 1-7/8" )	28	18	-	-	-	56	-	32	18 ( 39.6 lbs)	16	50	200
SCRL2-15-100A	100 ( 3-15/16" )	59 ( 2-5/16" )	38	28	6	12	10	76	38	52	21 ( 46.2 lbs)	20		
SCRL2-15-150A	150 ( 5-7/8" )	109 ( 4-5/16" )						126	63	102	21 ( 46.2 lbs)	29		
SCRL2-15-200A	200 ( 7-7/8" )	149 ( 5-7/8" )	48	38	10	14	14	176	88	152	24 ( 52.9 lbs)	38		



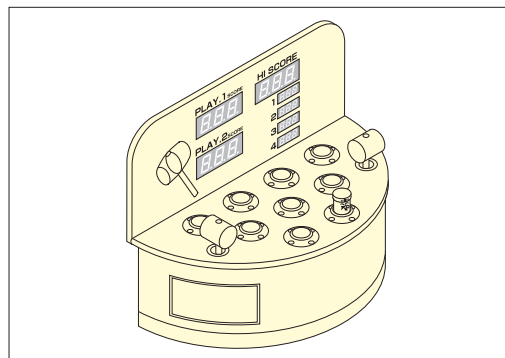
# ULTRA MINI GUIDE BLOCK & RAIL



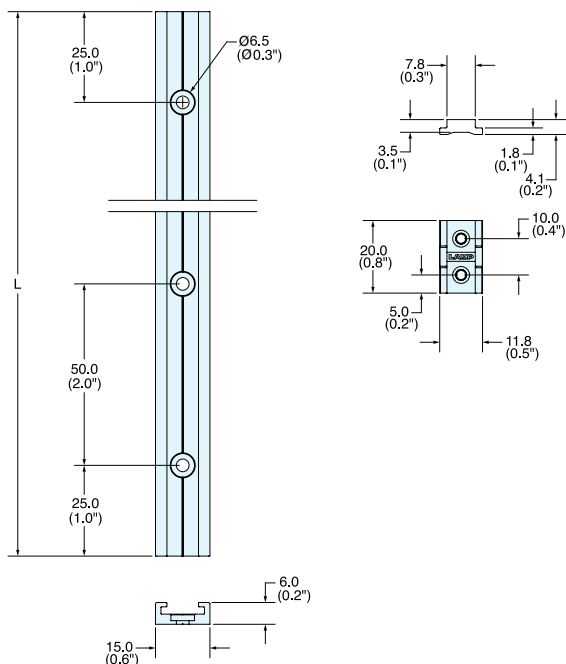
# MRS-15, MR-15CS



- Perfect for small stroke application.
- No lubricant (P. 415,416,417) needed.
- Block and rail sold separately.



MRS-15



\*Both ends of rail are not anodized.

No.	Material	Finish
①	Polyethylene (UL 94HB)	Grey
②	304 Stainless Steel	Plain
③	Aluminum	Anodized

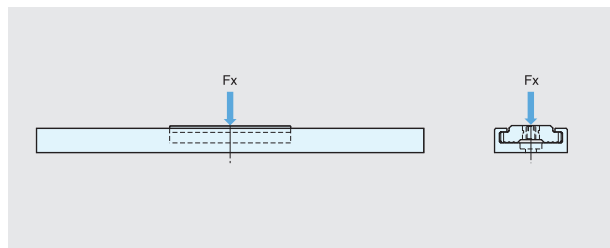
■ Block

Item No.	Weight (g)	Box (pcs)	Carton (pcs)
MR-15CS	1	150	1000

■ Rail

Item No.	L	N	Weight (g)	Box (pcs)
MRS15-100	100 (3-15/16")	2	14.5	200
MRS15-200	200 ( 7-7/8" )	4	29.0	200
MRS15-400	400 ( 15-3/4" )	8	58.0	100
MRS15-800	800 ( 31-1/2" )	16	117.0	80

### MRS 15, MR-15CS LOAD RATING INFORMATION



Horizontal Static Load Fx	10.2 kgf (22.48 lbs)
Vertical Static Load Fy	3.0 kgf (6.61 lbs)

□ Reduction Factor

Certain reduction needs to be applied depending on application or environment.  
 Low speed/Low operation frequency = 70% to 100% of Load Rating  
 Moderate speed/High operation frequency = 35% to 65% of Load Rating  
 High operation frequency with Vibration & Shocks = 10% to 30% of Load Rating

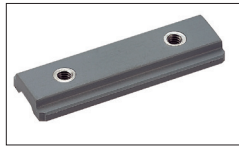
# MINI GUIDE BLOCK & RAIL



# MRS20, MR-20CS

DRAWER SLIDES

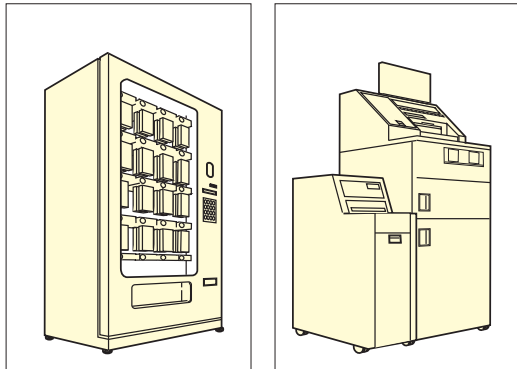
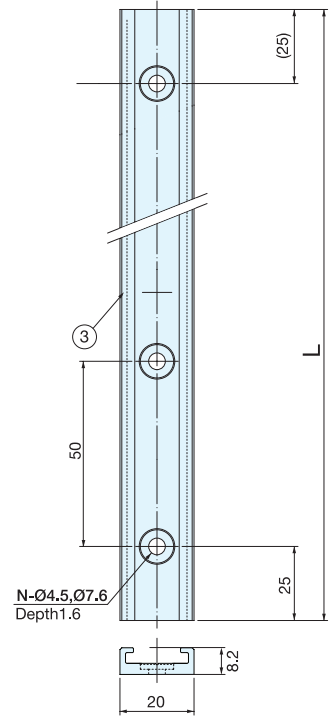
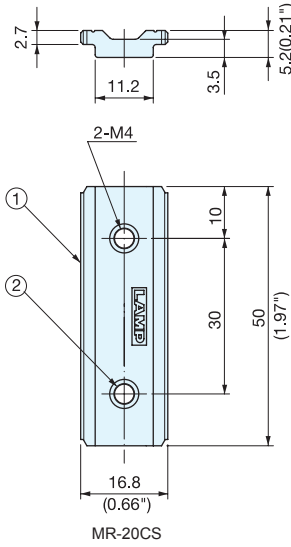
MINI GUIDE BLOCKS & RAILS



MR-20CS



- Perfect for small stroke application.
- No lubricant (P. 415,416,417) needed.
- \* Block and Rail sold separately.



Installation

■ Rail				25.4 mm=1"	
Item No.	L	N	Weight (g)	Box (pcs)	
MRS20-100	100 ( 3-15/16" )	2	20	200	
MRS20-200	200 ( 7-7/8" )	4	40		
MRS20-400	400 ( 15-3/4" )	8	80		
MRS20-800	800 ( 31-1/2" )	16	160		
MRS20-2000	2000 ( 78-3/4" )	40	400		

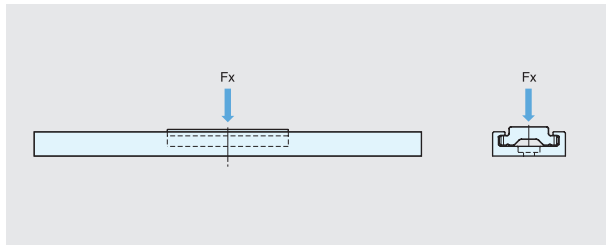
\*Both ends of rail are not anodized.

No.	Material	Finish
①	Polyethylene (UL 94HB)	Grey
②	304 Stainless Steel	Plain
③	Aluminum	Anodized

■ Block

Item No.	Weight (g)	Box (pcs)	Carton (pcs)
MR-20CS	6	50	1000

### MRS 20, MR-20CS LOAD RATING INFORMATION



Horizontal Static Load Fx	30.6 kgf (67.5 lbs)
Vertical Static Load Fy	17.8 kgf (39.2 lbs)

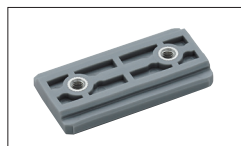
#### ◆ Reduction Factor

Certain reduction needs to be applied depending on application or environment.  
 Low speed/Low operation frequency = 70% to 100% of Load Rating  
 Moderate speed/High operation frequency = 35% to 65% of Load Rating  
 High operation frequency with Vibration & Shocks = 10% to 30% of Load Rating

# GUIDE BLOCK & RAIL



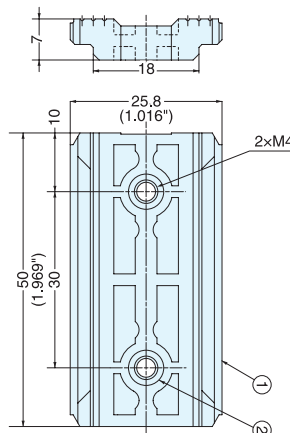
## MRS30, MR-30CS



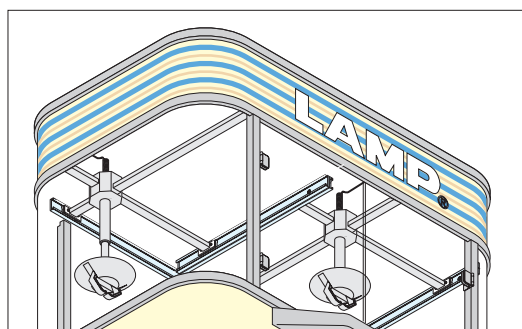
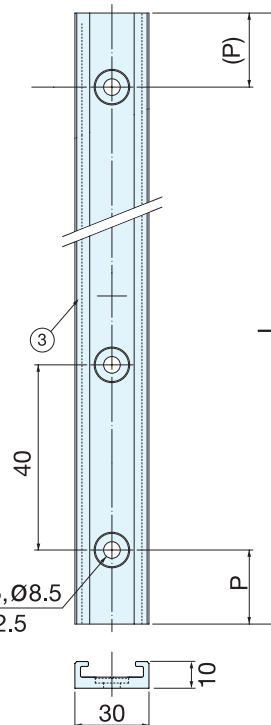
MR-30CS



- Perfect for small stroke application.
- No lubricant (P415,416,417) needed.
- \* Block and Rail sold separately.
- \* MR-30CS formerly MR-50C



MR-30CS



Installation

■ Rail					
Item No.	L	P	N	Weight (g)	Box (pcs)
MRS30-100	100 (3-15/16")	10	3	39	200
MRS30-200	200 ( 7-7/8" )	20	5	79	100
MRS30-400	400 ( 15-3/4" )		10	159	50
MRS30-800	800 ( 31-1/2" )		20	312	40
MRS30-2000	2000 ( 78-3/4" )		50	790	15

\*Both ends of rail are not anodized.

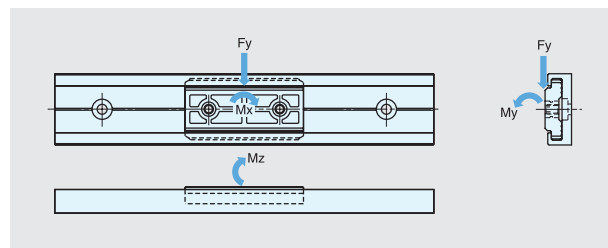
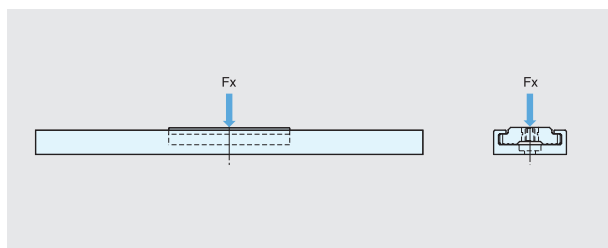
No.	Material	Finish
①	Polyethylene (UL 94HB)	Grey
②	304 Stainless Steel	Plain
③	Aluminum	Anodized

■ Block			
Item No.	Weight (g)	Box (pcs)	Carton (pcs)
MR-30CS	7	50	1000

### MRS 30, MR-30CS LOAD RATING INFORMATION

Dynamic Friction Coefficient: 1

Maximum PV (Pressure (kgf-mm<sup>2</sup>) × Velocity (m/min.)) = 3.06



Horizontal Static Load Fx	26.0 kgf ( 57.2 lbs )
Vertical Static Load Fy	15.0 kgf ( 33.0 lbs )
Vertical Dynamic Load Mx	25.0 kgf-cm (21.6 lbs-in)
Horizontal Dynamic Load My	12.5 kgf-cm (10.8 lbs-in)
Horizontal Dynamic Load Mz	12.5 kgf-cm (10.8 lbs-in)

#### ◆ Reduction Factor

Certain reduction needs to be applied depending on application or environment.  
 Low speed/Low operation frequency = 70% to 100% of Load Rating  
 Moderate speed/High operation frequency = 35% to 65% of Load Rating  
 High operation frequency with Vibration & Shocks = 10% to 30% of Load Rating

# MULTI-ROLLER LINEAR SLIDE SYSTEM



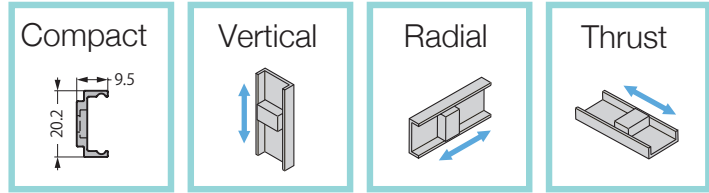
MLG

DRAWER SLIDES

MINI GUIDE BLOCKS & RAILS

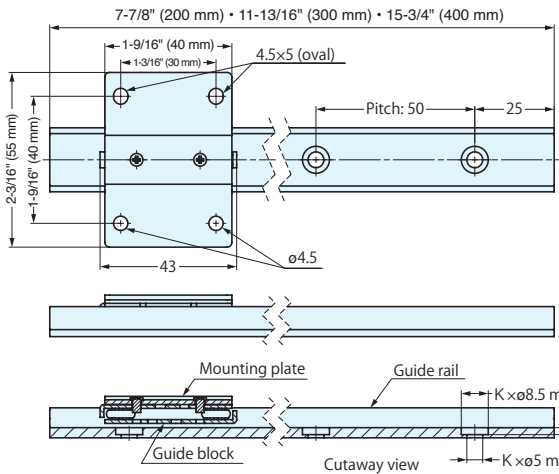


- Allows for smooth movement with the unique mechanism called "multi-roller".
- Please use with stoppers.
- The finish of the mounting holes and the rail edge is plain.
- Ideal for Medical equipment, food machine, amusement machine, analytical instruments applications

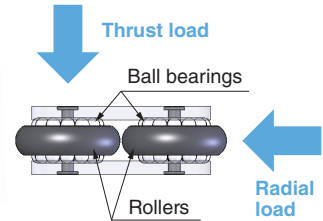
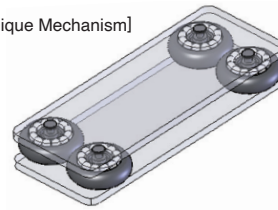


[Combination Drawings]

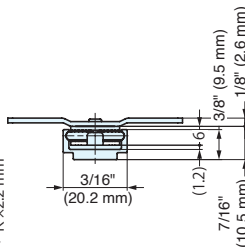
The guide rail, guide block, and mounting plate are used.



[The Unique Mechanism]



The multi-roller mechanism makes it possible to have smooth movements even with loads applied in radial or thrust directions.



[Rated Load Reference Values] The rated load refers to the load limit.

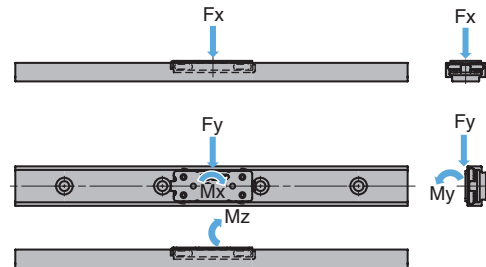
- Max. load = Static rated load × Static safety coefficient
- Operating load = Max. load × Dynamic safety coefficient

- Max. moment = Static rated moment × Static safety coefficient
- Operating moment = Max. moment × Static safety coefficient

Use Conditions	Static Safety Coefficient		Dynamic Safety Coefficient	
	N	kgf	N	kgf
Low movement frequency with gentle movement	0.4~0.5	0.9~1.0		
High movement frequency with smooth movement	0.3~0.4	0.6~0.8		
High movement frequency with vibration or impact	0.2~0.3	0.3~0.5		

Item Name	Horizontal Static Rated Load Fx		Vertical Static Rated Load Fy	
	N	kgf	N	kgf
MLG-20C	40	4.0	40	4.0

Item Name	Vertical Static Rated Moment Mx		Horizontal Static Rated Moment My		Horizontal Static Rated Moment Mz	
	N·m	kgf·cm	N·m	kgf·cm	N·m	kgf·cm
MLG-20C	1.2	12.2	0.4	4.0	0.8	8.1



The calculation formula above is for reference purpose only. Please confirm with the actual item before use.

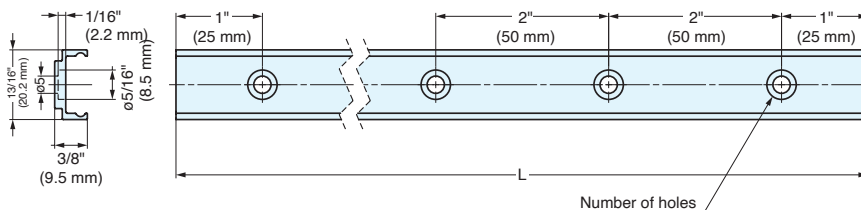
# GUIDE RAIL



# MLG20



• Recommended screw: Hexagon socket bolt M4



Item No.	L	No of Holes	Material	Finish	Weight (g)	Box (pcs)
MLG20-200	200 (7-7/8")	4	Aluminum Alloy	Anodized Silver	36	200
MLG20-300	300 (11-13/16")	6			54	100
MLG20-400	400 (15-3/4")	8			72	50

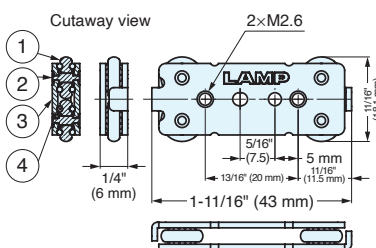
# MULTI-ROLLER GUIDE BLOCK



# MLG-20C



• Recommended screw: M2.6 (Max. length: sheet thickness + 4 mm)



[Parts Included]

• #0-1 pan head screw M2.6 x 4

[Recommended Screw]

• Screw M4

Item No.	Weight (g)	Box (pcs)
MLG-20C	13	200

No.	Part Name	Material
1	Roller	Plastic
2	Pin	303 Stainless Steel
3	Plate	304 Stainless Steel
4	Ball	Steel

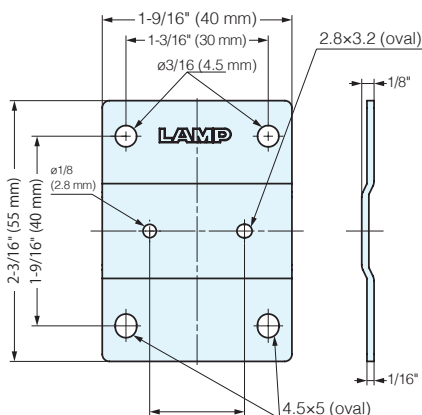
# MOUNTING PLATE



# MLG-20-P55-40



• Recommended screw: M4  
• #0-1 pan head screw M2.6 x 4 included



Item No.	Material	Finish	Weight (g)	Box (pcs)
MLG-20-P55-40	304 Stainless Steel	Plain	26	100

