



—i LIG HTI NG

20/21.

Enhance the appearance and functionality of your home or business with Tresco's energy-efficient, low-heat producing, long-life lighting fixtures. Whether you're in the kitchen, millwork, office, laboratory, hospitality, furniture, or store fixture industry, you're sure to find a lighting solution in our extensive catalog of options. A leader in easy-to-install LED lighting, we offer a wide array of puck lights, flex lights, linear lights, and more. We also feature a variety of controllers and dimmers, allowing you to tailor the atmosphere of your space. Have a custom application? From art to part, Tresco will design and manufacture a lighting solution based on your specific needs.

Table in Contents

Introduction399

12VDC Puck Lighting..... 408

- Power Pockit® 3W 408
- Power Pockit® 5W..... 410
- Pockit® Point 412
- 3W EquiLine Puck..... 414
- Additional 12V DC Puck Lighting 416

12VDC Linear Lighting 418

- Fineline 2.0 418
- SimpLED 2.0 420
- Eurolinx..... 422
- Elli® Series 424

12VDC Flexible Lighting..... 428

- FlexTape..... 428
- EquiLine Tape LED..... 434

Extrusions..... 438

- Infinex 438

12VDC Special Series 444

- Reach 444
- Additional 12V DC Special Series Lighting..... 446

12VDC Components 448

- Power Supplies..... 448
- Controllers..... 454
- Install Accessories..... 467

24VDC Panel Lighting..... 470

- Snap..... 470

120V Puck Lighting..... 472

- Pockit® 120-L..... 472
- Pockit® 120-M..... 473

120V Linear Lighting 477

- T5 Trescent® LED..... 477

Battery 479

- Alpha..... 479
- Fit..... 479
- Pulse 479

Sales Support on page 479



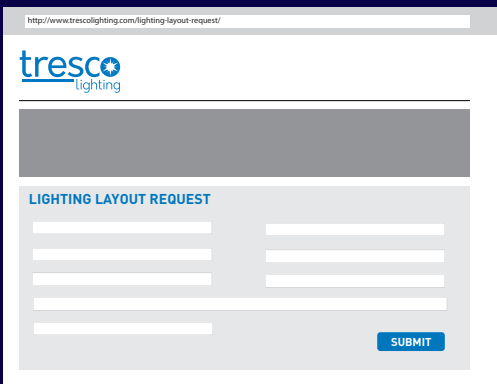
For overview and installation videos on many of our products visit: trescolighting.com/videos

COMPLIMENTARY

Lighting Layout Services

The increasingly popular application of LED lighting is new to many design professionals. Let our Lighting Layout Assistance Program guide you in specifying the ideal product and wiring schematic for your next residential or commercial project.

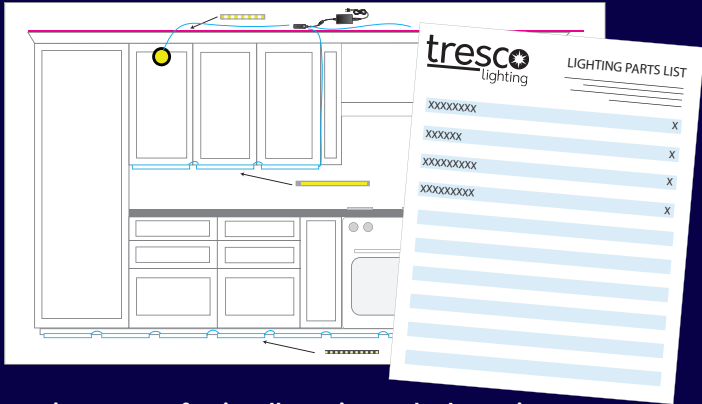
Typical Setup:



Visit: trescolighting.com/layout



Fill out the form & upload your drawings.



Receive your professionally engineered schematic and matching parts list.

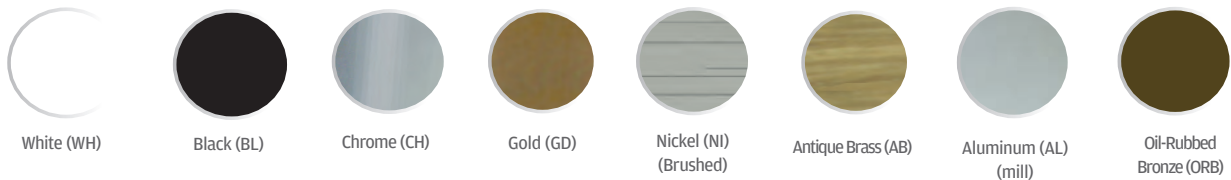
GET STARTED TODAY >>>

trescolighting.com/layout

Product Information

Product Color Finishes

Tresco's lighting products are available in eight standard color finishes: White, Black, Chrome, Gold, Nickel, Antique Brass, Aluminum and Oil-Rubbed Bronze. Please refer to the individual Product Sections for color availability of each product.



ETL, UL, and QPS – Testing, Inspection and Certification

- All are independent, non-profit labs – not government agencies or government funded
- ETL is the largest worldwide
- UL is the largest in the USA
- Both are Nationally Recognized Testing Laboratories (NRTL) as recognized by OSHA
- Both are recognized by local inspectors throughout North America
- No mark is better than the other



Tresco Products Tested and Certified for Canada and the United States

ETL, UL or QPS marks serve as proof of product compliance to Canadian and U.S. standards. When products bear these marks, this indicates to the consumer that the products have passed a complete and thorough set of tests and certification requirements.



All TRESKO® lighting systems carry UL, ETL or QPS safety certifications. In addition, a majority of our individual lighting components (lights, power supplies, and accessories) are also registered and certified by ETL and/or UL.



UL's Recognized Component Mark

The UL Recognized Component Mark is used on components that are a part of larger products or systems. It is certified by UL to both Canadian and U.S. requirements.

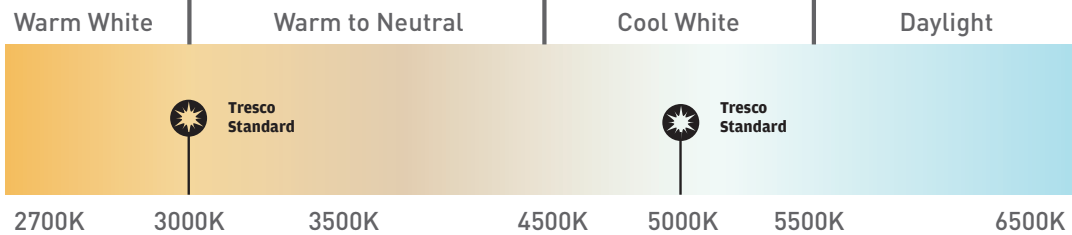
CE Mark



CE Marking permits a product to be sold throughout the European Union. It is a conformity mark noting the product complies with all applicable European Directives.

Color Temperature

Color temperature is the rating a particular color renders on the Kelvin scale. These color temperatures alter how an object or room is perceived when illuminated, and Tresco offers a wide range to choose from. To find the appropriate color temperature for your application, please reference the table below:



2700K
Warm White
 Recommended for Earth Tones
 Mimics Incandescent
 Highlights Wood Grains
 Primarily for Residential Use
 Not Recommended for White



3000K
Warm White
 Recommended for Earth Tones
 Slightly "Whiter" Than Incandescent
 Highlights Wood Grains
 Primarily for Residential Use
 Not Recommended for White



3500K
Warm to Neutral
 Transitional Between Warm and Cool
 Will Equally Highlight Earth Tones and Cool Tones
 Recommended for Residential and Commercial Use
 Will Give White an Off-White Look



5000K
Cool White
 Highlights Whites/Blue/Cool Tones
 Primarily For Commercial Use
 Recommended for White
 Not Recommended for Wood Grain/Earth Tones



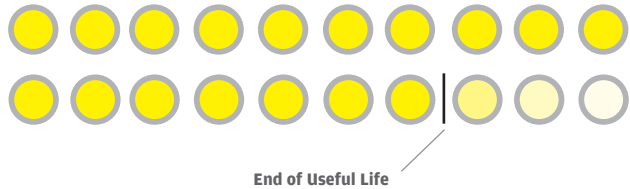
6500K
Daylight
 Has Bluish Tint (Sky Color)
 Primarily Used for Backlighting/Signs
 Not Recommended for Residential Use

What To Look For

Diode Life:

LEDs fade as opposed to abruptly burning out. “End of Life” refers to the number of hours until the LED has completely faded out, although it will have been too dim to use for many hours leading up until that point. “Useful Life”, on the other hand, refers to the number of hours until the LED reaches 70% of its initial light output, which is a much more practical indicator for the consumer (Defined as L70).

50,000 Hours = 17 Years (8 hours a day)



Color Consistency:

LEDs, as a natural result of the manufacturing process, have inconsistent color from one diode to the next. Top brand LED suppliers, like the ones used by Tresco, combat this by means of a process known as “binning” -inspecting each individual diode and matching them to ensure consistency.



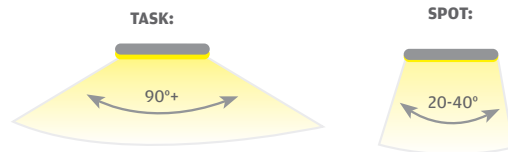
Lumen Output:

Lumen is the measure of visible light output emitted from a fixture. For under cabinet lighting, where the goal is to illuminate a workspace to perform specific tasks, the brighter, the better. For soffit, toe kick or other accent lighting, a moderate output is better.



Beam Spreads:

Using puck lights with tight beam spreads under wall cabinets can create unsightly dark spots on the backsplash between lights. Beam spreads of 90 degrees or greater will reduce the dark spots. For spotlight applications, such as in-cabinet or display lighting, a beam spread of 20-40 degrees is desirable.



Luniform



lunifom (loo-nuh-fawrm) n. The technology to eliminate “dotted” appearances and reduce unwanted glare within light emitting diode fixtures.



Eurolinx

Secondary Optics

Secondary optics are lighting components uniquely designed to diffuse LED diodes and reduce glare, such as special lenses and proprietary films.

Diode Technology

Diode technology allows for up to 10X the amount of LED diodes on a single circuit board or substrate, resulting in greater light output and a uniform beam spread.



Power Pockit® 5W



Quality

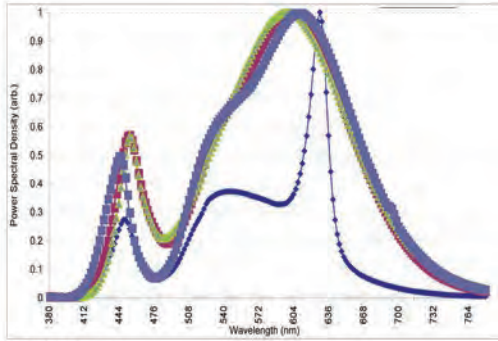
Superior components ensure Tresco lights are brighter and wider light spread than the competition. We use world-renowned suppliers who employ static and dust-free clean rooms, proper binning, and use of high-grade phosphors to achieve efficiency, high lumen, and color consistency.

When it comes to LED, the diode makes the difference. That is why we use brands like Nichia and Cree.



Independent Testing

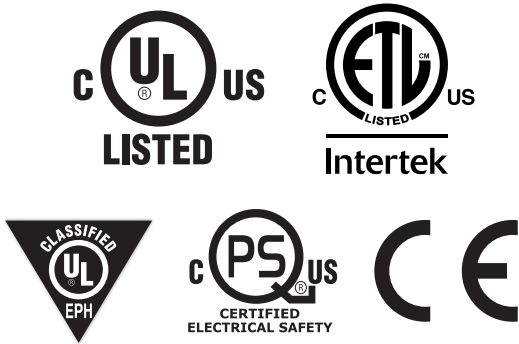
We don't just say our lights are better – we prove it. Independent testing certification available for IES, TM21, LM80, & LM79 photometrics to provide specification charts. Charts are printed next to our lights for proper specification of our products.

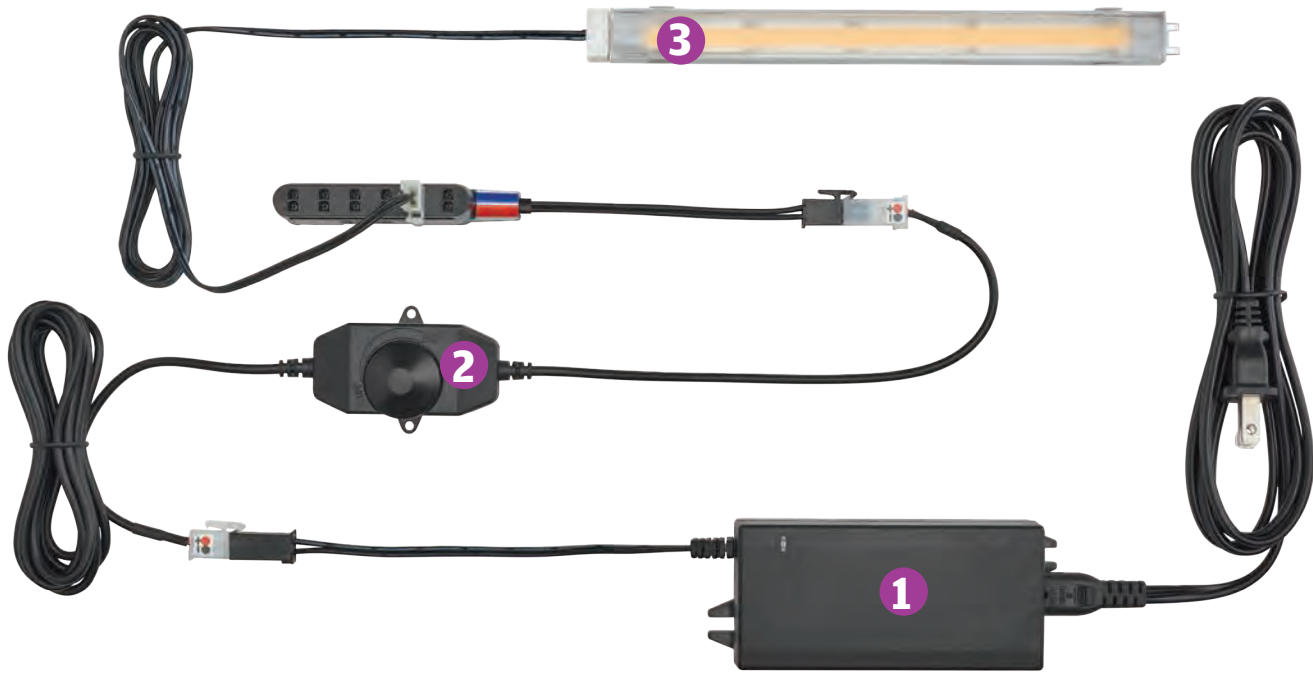


Safety Listings

At Tresco, safety is a top priority. All of our products carry UL, ETL or QPS safety certifications.

CE marking permits a product to be sold throughout the European Union. It is a conformity mark noting the product complies with all applicable European directives.





We Make Lighting Easy

Easy as 1 - 2 - 3.

- 1) Universal power supply
- 2) Controller connects to the power supply
- 3) Light fixture connects to the controller

Universal System

Tresco's in-house design and manufacturing teams create LED lights to work with one power source. Other products require different power supplies for different lights, but Tresco's LED lights are designed to work with a single 12VDC power supply. No more wiring nightmares.



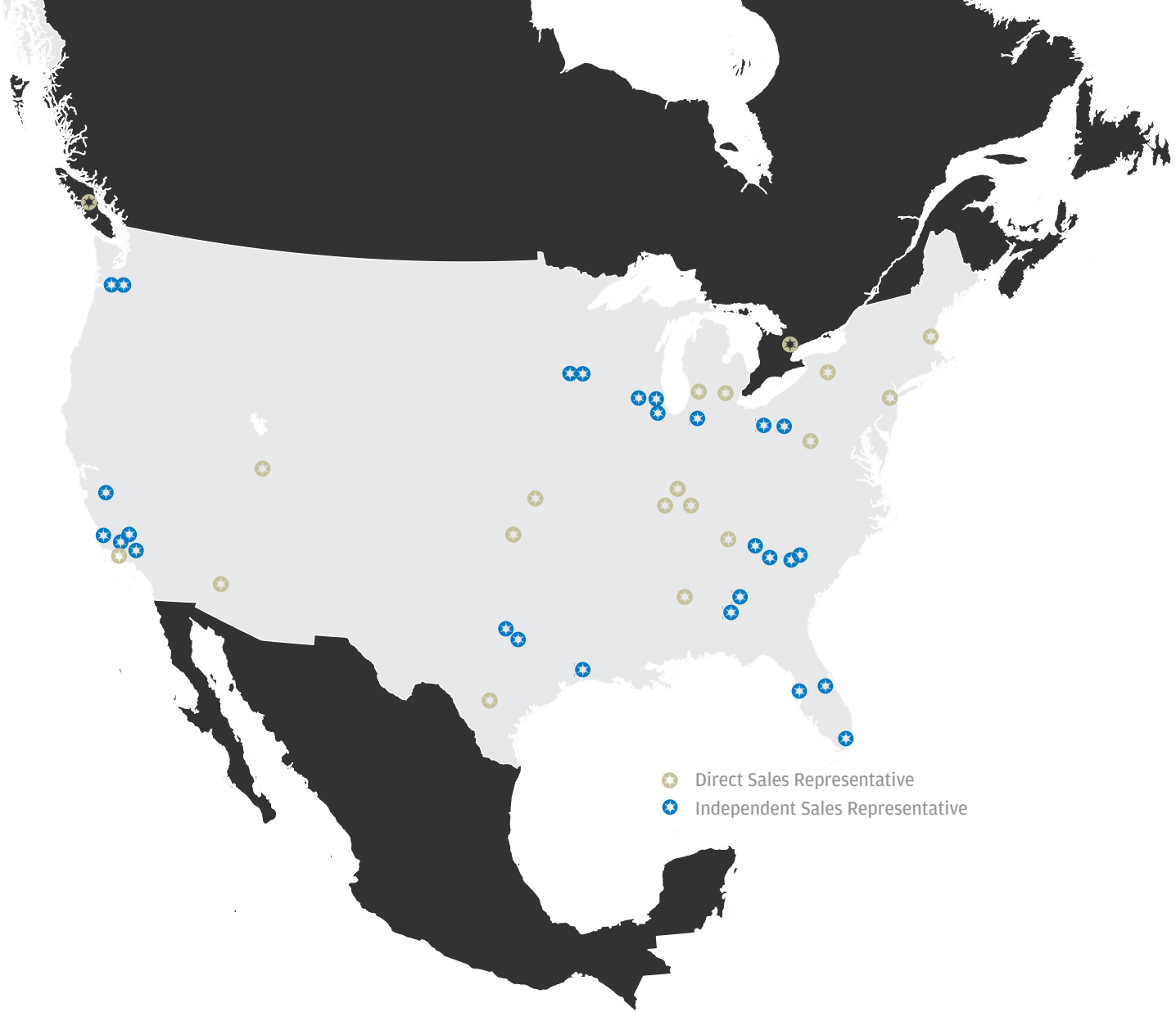
In-House Design

We are not your typical lighting company. From art to part, we design and manufacture custom lighting solutions based on your specific needs.

Luniform

Luniform is the technology to eliminate “dotted” appearances and reduce unwanted glare within light emitting diode fixtures.

See Page 8 for more info.



Distribution Network

Tresco products are stocked with over 100 distributors in North America, giving you same day or next day delivery.

OEM Network

Our OEM network includes some of the largest and most respected manufacturers in the business. This helps us achieve economies of scale that result in cost savings for you.

Our Team

Representatives from the Tresco Lighting Sales & Customer Service teams are in the field and ready to help you find the right product for your application.

Power Pockit® 3W

12V DC

3W

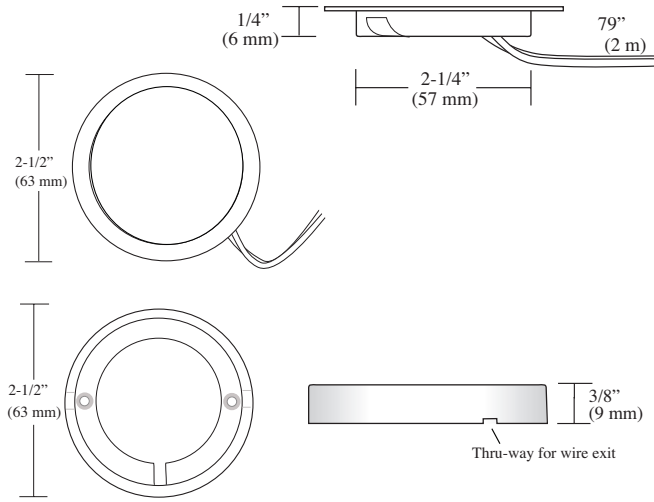
234 Lumens

120°

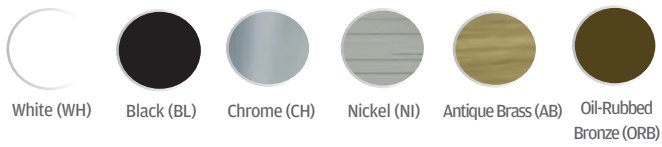
The Power Pockit® 3W is a versatile choice offering flood and task lighting that can be used for interior cabinets, under cabinets and store displays. This 3W energy efficient LED provides a crisp, uniform wash over illuminated objects at a fraction of the price of halogen.



Dimensions:



Available Finishes:



Specifications:



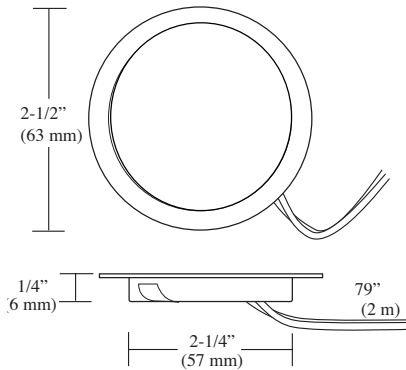
Wattage	Lumens	Efficacy (lm/W)	Input Voltage	Diode Life	Max Per 60W Power Supply	Mounting	Warranty	Beam Angle
3W	234	78	12VDC	50,000 Hours	20 Fixtures	Recess/Surface	5 Year	120°

Photometric Data			Color Temperature		
Height	Light Output	Beam Area	Color Temperature		
1ft (3m)	81.30Fc (875.1lx)	3.1ft L x 3.1ft W (1 m L x 1 m W)			
3ft (.9m)	9.03Fc (97.2lx)	9.2ft L x 9.2ft W (2.8 m L x 2.8 m W)			
6ft (1.8m)	2.26Fc (24.3lx)	18.4ft L x 18.4ft W (5.6 m L x 5.6 m W)			

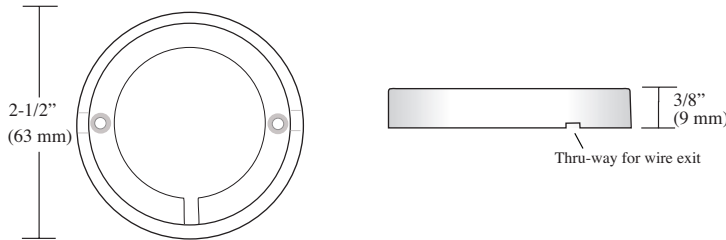
L-POC-3LED5FR-C Tested

- Required
- Optional

3W Power Pockit® Series



Surface Mount Ring is included with each light.



Part #	Description	SLP
L-POC-3LEDSFR-CAB-1	3W 5000K Antique Brass LED Pockit® Light	\$85.55
L-POC-3LEDSFR-CBL-1	3W 5000K Black LED Pockit® Light	\$85.55
L-POC-3LEDSFR-CCH-1	3W 5000K Chrome LED Pockit® Light	\$85.55
L-POC-3LEDSFR-CNI-1	3W 5000K Nickel LED Pockit® Light	\$85.55
L-POC-3LEDSFR-CWH-1	3W 5000K White LED Pockit® Light	\$85.55
L-POC-3LEDSFR-WAB-1	3W 3000K Antique Brass LED Pockit® Light	\$85.55
L-POC-3LEDSFR-WBL-1	3W 3000K Black LED Pockit® Light	\$85.55
L-POC-3LEDSFR-WCH-1	3W 3000K Chrome LED Pockit® Light	\$85.55
L-POC-3LEDSFR-WNI-1	3W 3000K Nickel LED Pockit® Light	\$85.55
L-POC-3LEDSFR-WORB-1	3W 3000K Oil-Rubbed Bronze LED Pockit® Light	\$85.55
L-POC-3LEDSFR-WWH-1	3W 3000K White LED Pockit® Light	\$85.55
L-POC-3LEDSFR-NNI-1	3W 3500K Nickel LED Pockit® Light	\$85.55
L-POC-3LEDSFR-NBL-1	3W 3500K Black LED Pockit® Light	\$85.55

50,000 useful hours.

57 mm (2-1/4") hole required for recessed mounting.

Power Pockit® includes Surface Mount Ring, AMP® Connector, and 79" (2 m) of input lead.

All Pockit® lights can be either surface mounted or recess mounted.

Power Supplies



For details see
Power Supplies on
Page 448.

Part #	Description	SLP
L-DC-ELT12-CON-1	12W 12VDC Power Supply w/6 Snap Mounting Block*	\$47.10
L-DC-ELT18-CON-1	18W 12VDC Power Supply w/6 Snap Mounting Block*	\$63.20
L-DC-SLELT30-1	30W 12VDC Power Supply w/6 Snap Mounting Block*	\$84.15
L-DC-SLELT60-1	60W 12VDC Power Supply w/6 Snap Mounting Block*	\$109.00
L-DC-ELT6WP-CON-1	6W 12VDC Wall Mount Power Supply w/3 Snap Block*	\$27.95
L-DC-ELT15WP-CON-1	15W 12VDC Wall Mount Power Supply w/6 Snap Block*	\$36.10
L-DC-EQ30-1	30W 12VDC Equiline Power Supply w/6 Snap Block*	\$58.70
L-DC-EQ60-1	60W 12VDC Equiline Power Supply w/6 Snap Block*	\$75.15
L-DCE30D-CON-1†	12VDC 30W Dimmable LED Power Supply	\$108.90
L-DCE60D-CON-1†	12VDC 60W Dimmable LED Power Supply	\$172.90
L-12DCH60X1-1	12VDC 60W Commercial/Industrial Metal Hardwire Dimmable Power Supply	\$173.15
L-12DCH60X3-1	12VDC 180W Commercial/Industrial Metal Hardwire Dimmable Power Supply	\$380.70

* Dimmable on trailing edge (12V side). Mounting block and power cord are included.


† Dimmable by traditional line voltage (120V) wall dimmers. Mounting block included requires electrician to install.



Power Pockit® 5W

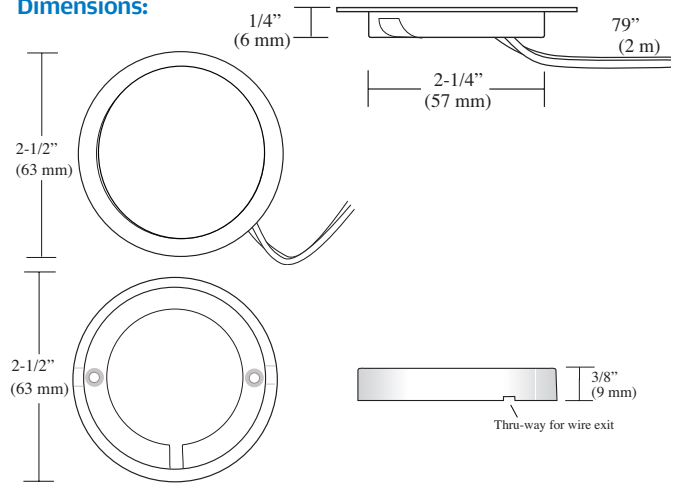
12V DC



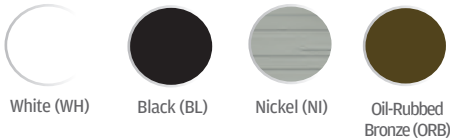
5W	290 Lumens	
<p>The next generation of Power Pockit® is an astounding 2.5X brighter than our original industry leading 3W version. With Luniform technology, 290 lumens of light are evenly distributed and eliminate the “dotted” appearance on surfaces. At only 1/4” (6 mm) depth, the Power Pockit® 5W is the slimmest, highest output puck light on the market.</p>		



Dimensions:




Available Finishes:



Specifications:

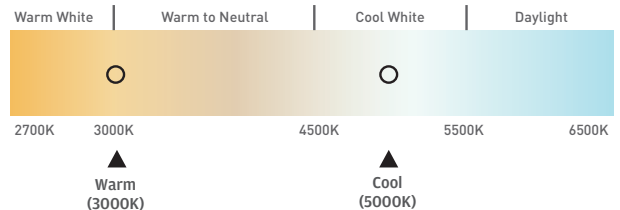


Wattage	Lumens	Efficacy (lm/W)	Input Voltage	Diode Life	Max Per 60W Power Supply	Mounting	Warranty	Beam Angle
5W	290	58	12VDC	50,000 Hours	12 Fixtures	Recess/Surface	5 Year	

Photometric Data

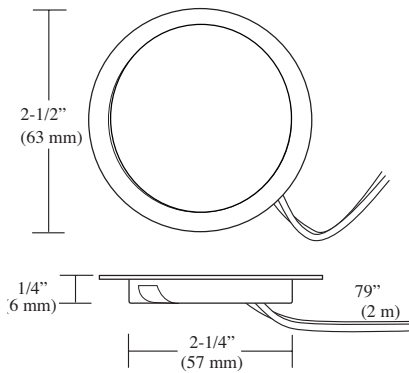
Color Temperature

Height	Light Output	Beam Area
1ft (3 m)	115.90Fc (1247.5lx)	2.4ft L x 2.5ft W (7.3 m L x .76 m W)
3ft (9 m)	12.88Fc (138.6lx)	7.3ft L x 7.4ft W (2.2 m L x 2.3 m W)
6ft (1.8 m)	3.22Fc (34.7lx)	14.6ft L x 14.8ft W (4.5 m L x 4.5 m W)



POC-5LED-C Tested

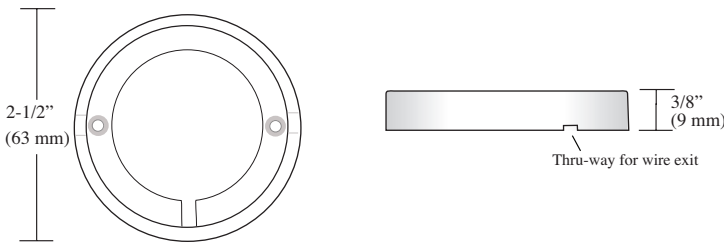
5W Power Pockit®



Part #	Description	SLP
L-POC-5LEDSCL-WORB-1	5W 3000K Oil-Rubbed Bronze LED Pockit® Light	\$91.10
L-POC-5LEDSCL-WNI-1	5W 3000K Nickel LED Pockit® Light	\$91.10
L-POC-5LEDSCL-CNI-1	5W 5000K Nickel LED Pockit® Light	\$91.10
L-POC-5LEDSCL-WBL-1	5W 3000K Black LED Pockit® Light	\$91.10
L-POC-5LEDSCL-CBL-1	5W 5000K Black LED Pockit® Light	\$91.10
L-POC-5LEDSCL-WWH-1	5W 3000K White LED Pockit® Light	\$91.10
L-POC-5LEDSCL-CWH-1	5W 5000K White LED Pockit® Light	\$91.10

50,000 useful hours.
2-1/4" (57 mm) hole required for recessed mounting.
Power Pockit® includes Surface Mount Ring, AMP® Connector, and 79" (2 m) input lead.
All Pockit® lights can be either surface mounted or recess mounted.

Surface Mount Ring is included with each light.



Power Supplies



For details see
Power Supplies on
Page 141.

Part #	Description	SLP
L-DC-ELT12-CON-1	12W 12VDC Power Supply w/6 Snap Mounting Block*	\$47.10
L-DC-ELT18-CON-1	18W 12VDC Power Supply w/6 Snap Mounting Block*	\$63.20
L-DC-SLELT30-1	30W 12VDC Power Supply w/6 Snap Mounting Block*	\$84.15
L-DC-SLELT60-1	60W 12VDC Power Supply w/6 Snap Mounting Block*	\$109.00
L-DC-ELT6WP-CON-1	6W 12VDC Wall Mount Power Supply w/3 Snap Block*	\$27.95
L-DC-ELT15WP-CON-1	15W 12VDC Wall Mount Power Supply w/6 Snap Block*	\$36.10
L-DC-EQ30-1	30W 12VDC Equiline Power Supply w/6 Snap Block*	\$58.70
L-DC-EQ60-1	60W 12VDC Equiline Power Supply w/6 Snap Block*	\$75.15
L-DCE30D-CON-1†	12VDC 30W Dimmable LED Power Supply	\$108.90
L-DCE60D-CON-1†	12VDC 60W Dimmable LED Power Supply	\$172.90
L-12DCH60X1-1	12VDC 60W Commercial/Industrial Metal Hardwire Dimmable Power Supply	\$173.15
L-12DCH60X3-1	12VDC 180W Commercial/Industrial Metal Hardwire Dimmable Power Supply	\$380.70


* Dimmable on trailing edge (12V side). Mounting block and power cord are included.
† Dimmable by traditional line voltage (120V) wall dimmers. Mounting block included requires electrician to install.



Pockit® Point

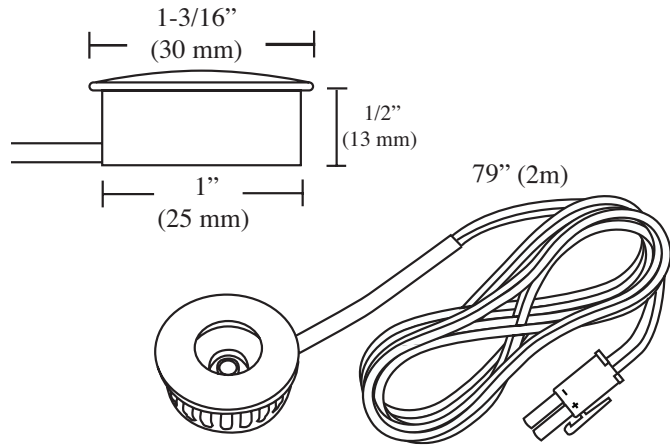
12V DC



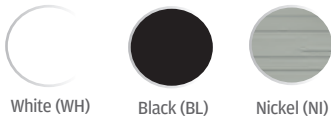
	69 Lumens	1W
<p>1W Pockit® Point is the smallest LED spot light on the market. Its small diameter and focused light is perfect for highlighting items in tight spaces.</p> <p>The Pockit® Point features a very low profile with a recess depth of only 7/16" (11 mm), a collar spring for quick recessing, a mini converter to protect the LED diode from premature failure and a 79" (2 m) starter cord attached with a loose AMP® connector for easier wire routing.</p>		



Dimensions:




Available Finishes:



Specifications:

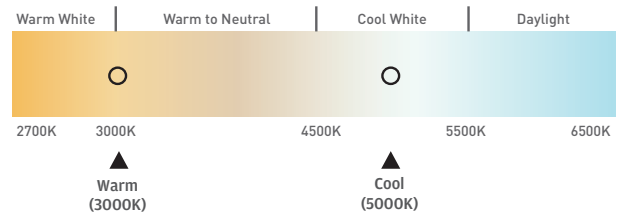


Wattage	Lumens	Efficacy (lm/W)	Input Voltage	Diode Life	Max Per 60W Power Supply	Mounting	Warranty	Beam Angle
1W	69	69	12VDC	30,000 Hours	50 Fixtures	Recessed	2 Year	

Photometric Data

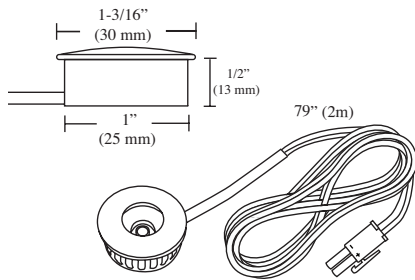
Color Temperature

Height	Light Output	Beam Area
1ft (3m)	37.60Fc (404.7lx)	19ft L x 1.9ft W (5.8 m L x .58 m W)
3ft (9m)	4.18Fc (45lx)	5.8ft L x 5.8ft W (1.8 m L x 1.8 m W)
6ft (1.8 m)	1.04Fc (11.2lx)	11.6ft L x 11.5ft W (3.5 m L x 3.5 m W)



L-LED-1EB-C Tested

Pockit® Point LED Series



Part #	Description	SLP
L-LED-1EB-CBL-1	1W 12VDC Pockit® Point, 5000K, Black	\$52.55
L-LED-1EB-CNI-1	1W 12VDC Pockit® Point, 5000K, Nickel	\$52.55
L-LED-1EB-CWH-1	1W 12VDC Pockit® Point, 5000K, White	\$52.55
L-LED-1EB-WBL-1	1W 12VDC Pockit® Point, 3000K, Black	\$52.55
L-LED-1EB-WNI-1	1W 12VDC Pockit® Point, 3000K, Nickel	\$52.55
L-LED-1EB-WWH-1	1W 12VDC Pockit® Point, 3000K, White	\$52.55

30,000 useful life hours.
 1" (25 mm) hole required for recessed mounting.
 Collar Spring, 79" (2 m) Starter Cord, and AMP® Connector are included with each light.

Power Supplies



For details see
**Power Supplies on
 Page 448.**

Part #	Description	SLP
L-DC-ELT12-CON-1	12W 12VDC Power Supply w/6 Snap Mounting Block*	\$47.10
L-DC-ELT18-CON-1	18W 12VDC Power Supply w/6 Snap Mounting Block*	\$63.20
L-DC-SLELT30-1	30W 12VDC Power Supply w/6 Snap Mounting Block*	\$84.15
L-DC-SLELT60-1	60W 12VDC Power Supply w/6 Snap Mounting Block*	\$109.00
L-DC-ELT6WP-CON-1	6W 12VDC Wall Mount Power Supply w/3 Snap Block*	\$27.95
L-DC-ELT15WP-CON-1	15W 12VDC Wall Mount Power Supply w/6 Snap Block*	\$36.10
L-DC-EQ30-1	30W 12VDC Equiline Power Supply w/6 Snap Block*	\$58.70
L-DC-EQ60-1	60W 12VDC Equiline Power Supply w/6 Snap Block*	\$75.15
L-DCE30D-CON-1†	12VDC 30W Dimmable LED Power Supply	\$108.90
L-DCE60D-CON-1†	12VDC 60W Dimmable LED Power Supply	\$172.90
L-12DCH60X1-1	12VDC 60W Commercial/Industrial Metal Hardwire Dimmable Power Supply	\$173.15
L-12DCH60X3-1	12VDC 180W Commercial/Industrial Metal Hardwire Dimmable Power Supply	\$380.70

* Dimmable on trailing edge (12V side). Mounting block and power cord are included.
 † Dimmable by traditional line voltage (120V) wall dimmers. Mounting block included requires electrician to install.



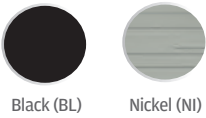
COMPONENTS: POWER SUPPLIES, CONTROLLERS & MORE SEE PAGE 448.

3W EquiLine Puck

12V DC



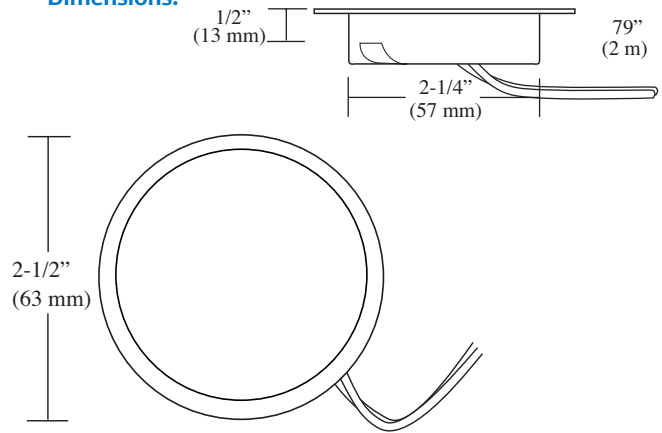
Available Finishes:



3W	218 Lumens	100°
<p>With recessed or surface mount ability, EquiLine LED Pucks are perfect for use in a wide range of applications. Designed for the economically conscious, they feature a slim profile and a 79" (2 m) starter cord attached with an unattached AMP® connector for easy wire routing.</p>		



Dimensions:



Specifications:

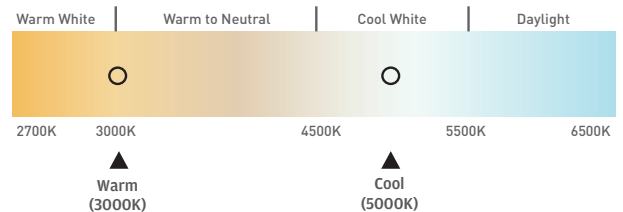


Wattage	Lumens	Efficacy (lm/W)	Input Voltage	Diode Life	Max Per 60W Power Supply	Mounting	Warranty	Beam Angle
3W	218	73	12VDC	25,000 Hours	20 Fixtures	Recess/Surface	2 Year	100°

Photometric Data

Color Temperature

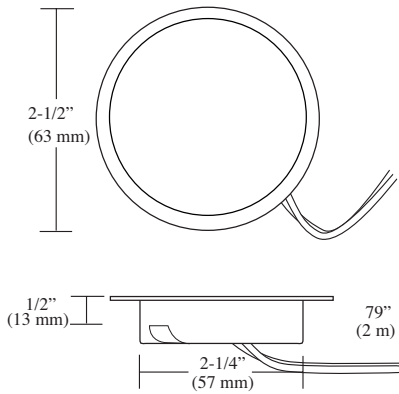
Height	Light Output	Beam Area
1ft (3 m)	89.00Fc (958lx)	2ft diameter (.6 m diameter)
3ft (.9 m)	9.89Fc (106.5lx)	7ft diameter (2.1 m diameter)
6ft (1.8 m)	2.47Fc (26.6lx)	14ft diameter (4.3 m diameter)



L-POC-3EQFR-CNI Tested

● Required
● Optional

EquiLine Puck Light



Part #	Description	SLP
L-POC-3EQFR-CBL-1	3W EquiLine Puck 5000K - Black	\$33.85
L-POC-3EQFR-WBL-1	3W EquiLine Puck 3000K - Black	\$33.85
L-POC-3EQFR-CNI-1	3W EquiLine Puck 5000K - Nickel	\$33.85
L-POC-3EQFR-WNI-1	3W EquiLine Puck 3000K - Nickel	\$33.85

25,000 useful life hours.
2-1/4" (57 mm) hole required for recessed mounting.
EquiLine includes starter cord 79" (2 m) and AMP® Connector with each light.

Power Supplies

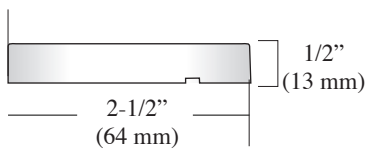


For details see
Power Supplies on
Page 448.

Part #	Description	SLP
L-DC-ELT12-CON-1	12W 12VDC Power Supply w/6 Snap Mounting Block*	\$47.10
L-DC-ELT18-CON-1	18W 12VDC Power Supply w/6 Snap Mounting Block*	\$63.20
L-DC-SLELT30-1	30W 12VDC Power Supply w/6 Snap Mounting Block*	\$84.15
L-DC-SLELT60-1	60W 12VDC Power Supply w/6 Snap Mounting Block*	\$109.00
L-DC-ELT6WP-CON-1	6W 12VDC Wall Mount Power Supply w/3 Snap Block*	\$27.95
L-DC-ELT15WP-CON-1	15W 12VDC Wall Mount Power Supply w/6 Snap Block*	\$36.10
L-DC-EQ30-1	30W 12VDC Equiline Power Supply w/6 Snap Block*	\$58.70
L-DC-EQ60-1	60W 12VDC Equiline Power Supply w/6 Snap Block*	\$75.15
L-DCE30D-CON-1†	12VDC 30W Dimmable LED Power Supply	\$108.90
L-DCE60D-CON-1†	12VDC 60W Dimmable LED Power Supply	\$172.90
L-12DCH60X1-1	12VDC 60W Commercial/Industrial Metal Hardwire Dimmable Power Supply	\$173.15
L-12DCH60X3-1	12VDC 180W Commercial/Industrial Metal Hardwire Dimmable Power Supply	\$380.70

* Dimmable on trailing edge (12V side). Mounting block and power cord are included.
† Dimmable by traditional line voltage (120V) wall dimmers. Mounting block included requires electrician to install.

EquiLine Puck Surface Ring



Part #	Description	SLP
L-SMR-2LED-BL-1	EquiLine Puck Surface Ring Black	\$5.55
L-SMR-2LED-NI-1	EquiLine Puck Surface Ring Nickel	\$5.55



COMPONENTS: POWER SUPPLIES, CONTROLLERS & MORE SEE PAGE 448.

Visit trescolighting.com for more information



Pockit® Plus 1.5W

Pockit® Plus features clean and simple lines PLUS cutting-edge bulb technology that provide powerful, bright light without the energy consumption and heat. Performance and effortless installation for recess or surface mounting all at a competitive price – that’s the power of PLUS.

Features:

90° beam spread

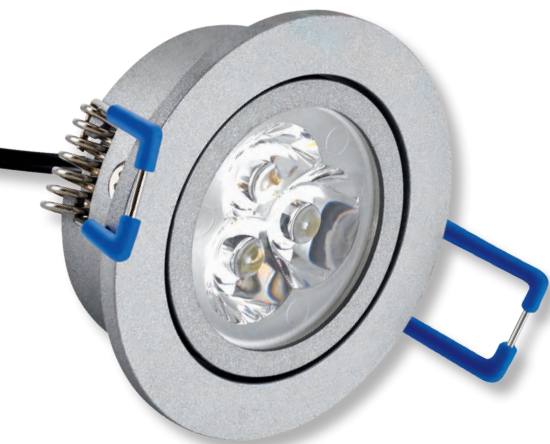
Surface mount ring included

Dimmable

Four finishes available



Pockit® Spot



The 3W Pockit® Spot performs like a spotlight with a high focus output beam to keep countertops, kiosks and displays center stage. The fixture features an exceptionally low profile and two large springs for recess mounting in a depth of only 1-1/8” (29 mm). The 3W Pockit® Spot has the ability to swivel in either direction.

Features:

Focused 30° beam spread

Dimmable

Strong spring clip for recessing

All metal construction

Commercial grade 5-year warranty

Black or nickel finishes



All product dimensions and specifications are subject to change without prior notice.

Pockit® Adapt

As the name suggests, this Pockit® is adaptable to specific applications using one of three included lenses. Whether your application calls for a narrow or wide angle spot, only a simple change of the lens is needed. The 3/8" depth (9.5 mm) makes this one of the lowest profile spot lights in the industry while generating a staggering 250 lumen output.



Features:

High output 5W LED

Dimmable

Recess or surface mount

3 beam-angle changing lenses included: 25°, 45°, 60°

Commercial grade 5-year warranty

White, black, nickel finishes available



Solo

A spotlight worthy of a SOLO performance. The unique shallow rim mounts flush to create a seamless transition from light to the surrounding surface. Revolutionary CSR (Center Spot Reduction) optics eliminates glare making it visually appealing whether turned on or off.



Features:

Slim profile

Recessed installation

Detachable starter cord

Center Spot Reduction technology

Commercial grade 5-year warranty

Black or nickel finishes



NEW!

12V DC

FineLine 2.0

4.4W/ft.
(14.4 W/m)

330 Lumens
per ft.
(1082 per meter)



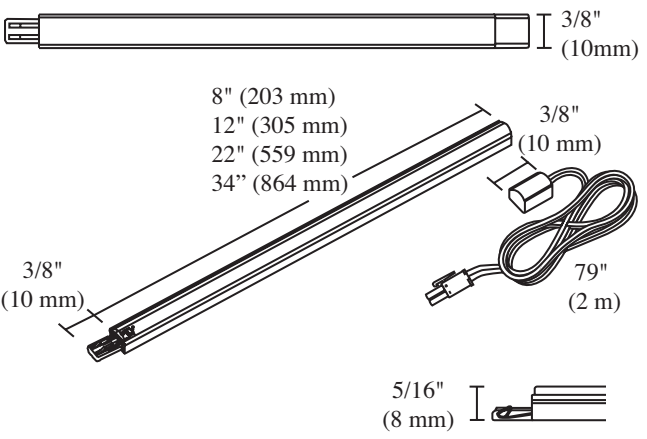
Pencil thin but still packing a big punch, FineLine 2.0 is the unobtrusive way to provide stunning lighting to casework, displays, store fixtures and more. The low-profile design features a milk diffuser for even illumination, Luniform technology, and with optional manual or remote-control dimmers, creating the perfect atmosphere is effortless.



Available Finishes:



Dimensions:



Specifications:

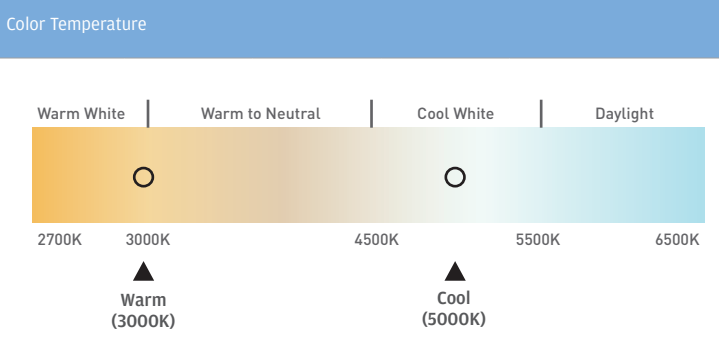


Wattage	Lumens	Efficacy (lm/W)	Input Voltage	Diode Life	Max Per 60W Power Supply	Max Continuous Run	Mounting	Warranty	Beam Angle
4.4W/ft. (14.4 W/m)	330 per ft. (1082 per m)	75	12VDC	50,000 Hours	13' (4 m)	12' (3.66 m)	Surface/ Recess	5 Year	

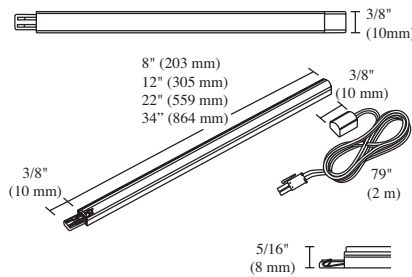
Photometric Data

Height	Light Output	Beam Area
1ft (3 m)	279Fc (3003.1lx)	3.4ft L x 3.6ft W (1 m L x 1.1 m W)
3ft (9 m)	31.0Fc (333.6lx)	10.3ft L x 10.8ft W (3.1 m L x 3.3 m W)
6ft (1.8 m)	7.75Fc (83.4lx)	20.5ft L x 21.6ft W (6.2 m L x 6.6 m W)

L-STKH034-CNI-1 Tested



FineLine LED Series



Part #	Description	SLP
L-STKH08-WNI-1	8" (203mm) Fineline 2.0, 3000K, Nickel	\$56.90
L-STKH08-CNI-1	8" (203mm) Fineline 2.0, 5000K, Nickel	\$56.90
L-STKH012-WNI-1	12" (305mm) Fineline 2.0, 3000K, Nickel	\$67.70
L-STKH012-CNI-1	12" (305mm) Fineline 2.0, 5000K, Nickel	\$67.70
L-STKH022-WNI-1	22" (559mm) Fineline 2.0, 3000K, Nickel	\$112.65
L-STKH022-CNI-1	22" (559mm) Fineline 2.0, 5000K, Nickel	\$112.65
L-STKH034-WNI-1	34" (864mm) Fineline 2.0, 3000K, Nickel	\$148.90
L-STKH034-CNI-1	34" (864mm) Fineline 2.0, 5000K, Nickel	\$148.90

Maximum continuous run of 12 ft. (3.7 m) to prevent voltage drop. Maximum 13 ft. (4 m) per 60W power supply. 79" (2 m) Starter Cord, AMP® Connector and mounting U-Clips are included with each light.

Power Supplies



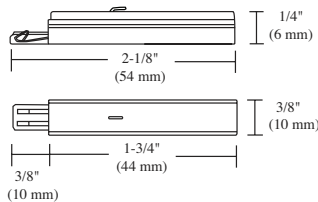
For details see
Power Supplies on
Page 448.

Part #	Description	SLP
L-DC-ELT12-CON-1	12W 12VDC Power Supply w/6 Snap Mounting Block*	\$47.10
L-DC-ELT18-CON-1	18W 12VDC Power Supply w/6 Snap Mounting Block*	\$63.20
L-DC-SLELT30-1	30W 12VDC Power Supply w/6 Snap Mounting Block*	\$84.15
L-DC-SLELT60-1	60W 12VDC Power Supply w/6 Snap Mounting Block*	\$109.00
L-DC-ELT6WP-CON-1	6W 12VDC Wall Mount Power Supply w/3 Snap Block*	\$27.95
L-DC-ELT15WP-CON-1	15W 12VDC Wall Mount Power Supply w/6 Snap Block*	\$36.10
L-DC-EQ30-1	30W 12VDC Equiline Power Supply w/6 Snap Block*	\$58.70
L-DC-EQ60-1	60W 12VDC Equiline Power Supply w/6 Snap Block*	\$75.15
L-DCE30D-CON-1†	12VDC 30W Dimmable LED Power Supply	\$108.90
L-DCE60D-CON-1†	12VDC 60W Dimmable LED Power Supply	\$172.90
L-12DCH60X1-1	12VDC 60W Commercial/Industrial Metal Hardwire Dimmable Power Supply	\$173.15
L-12DCH60X3-1	12VDC 180W Commercial/Industrial Metal Hardwire Dimmable Power Supply	\$380.70

* Dimmable on trailing edge (12V side). Mounting block and power cord are included.

† Dimmable by traditional line voltage (120V) wall dimmers. Mounting block included requires electrician to install.

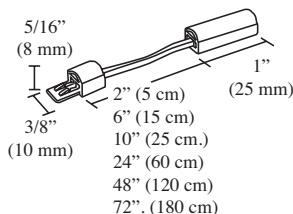
FineLine Touch Dimmer



Part #	Description	SLP
L-LED-STKDIM-TD4-1	Inline Touch Dimmer, 4 Step	\$37.40

Max Load 27W. Controls up to 6 ft. (1.8 m) of FineLine 2.0 lights.

FineLine Link Cord



Part #	Description	SLP
L-LED-STKLNK-5-1	2" (5 cm) 12VDC Stick Linking Cord	\$4.15
L-LED-STKLNK-15-1	6" (15 cm) 12VDC Stick Linking Cord	\$4.60
L-LED-STKLNK-25-1	10" (25 cm) 12V DC Stick Linking Cord	\$4.85
L-LED-STKLNK-60-1	24" (60 cm) 12V DC Stick Linking Cord	\$5.90
L-LED-STKLNK-120-1	48" (120 cm) 12V DC Stick Linking Cord	\$7.55
L-LED-STKLNK-180-1	72" (180 cm) 12VDC Stick Linking Cord	\$9.25



COMPONENTS: POWER SUPPLIES, CONTROLLERS & MORE SEE PAGE 448.

12V DC

SimpLED 2.0

5W/ft.
(16.4 W/m)

470 Lumens
per ft.
(1541 per meter)



The SimpLED 2.0 sets the bar for light output and simplicity. The patented push-in "H" connection system and inline control modules, you get the simplest and quickest installation possible. Choose either straight or pivoting mounting clips, then snap the fixtures into place to let over 350 lumens per foot illuminate your project.

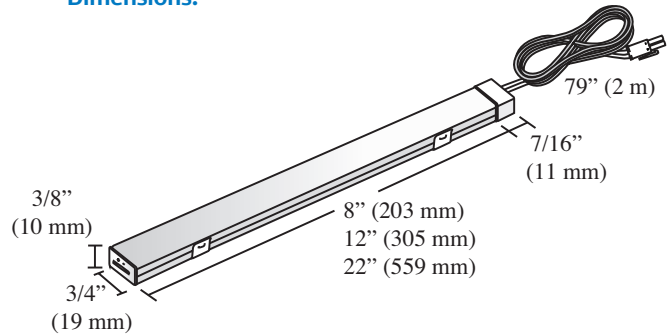
US PATENT NO: 8,545,045



Available Finishes:



Dimensions:



Specifications:

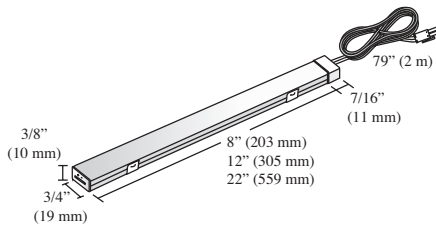


Wattage	Lumens	Efficacy (lm/W)	Input Voltage	Diode Life	Max Per 60W Power Supply	Max Continuous Run	Mounting	Warranty	Beam Angle
5W/ft. (16.4 W/m)	470 per ft. (1541 per m)	94	12VDC	50,000 Hours	12' (3.7 m)	10' (3 m)	Surface	5 Year	

Photometric Data			Color Temperature			
	Height	Light Output	Beam Area			
	1ft (3m)	244.70Fc (2634lx)	2.7ft L x 2.8ft W (.82 m L x .85 m W)			
	3ft (9m)	27.19Fc (292.7lx)	8.2ft L x 8.3ft W (2.5 m L x 2.5 m W)			
6ft (1.8 m)	6.80Fc (73.2lx)	16.4ft L x 16.5ft W (5 m L x 5 m W)				
L-SMPH022-C Tested						

- Required
- Optional

SimpLED 2.0 Series



Part #	Description	SLP
L-SMPH08-WNI-1	8" (203 mm) 12V SimplLED 2.0, 3000K Nickel	\$65.10
L-SMPH012-WNI-1	12" (305 mm) 12V SimplLED 2.0, 3000K Nickel	\$88.30
L-SMPH022-WNI-1	22" (559 mm) 12V SimplLED 2.0, 3000K Nickel	\$167.55
L-SMPH08-CNI-1	8" (203 mm) 12V SimplLED 2.0, 5000K Nickel	\$65.10
L-SMPH012-CNI-1	12" (305 mm) 12V SimplLED 2.0, 5000K Nickel	\$88.30
L-SMPH022-CNI-1	22" (559 mm) 12V SimplLED 2.0, 5000K Nickel	\$167.55

50,000 useful life hours.

Maximum continuous run 10 ft. (3 m) to prevent voltage drop. Maximum 12 ft. (3.6 m) per power supply.

79" (2 m) Starter Cord, AMP® Connector, H-Shaped Connector, and Mounting U-Clips are included with each light.

3 diffusers (Clear, Frosted and Milk/Opal) are included with each light.

Power Supplies



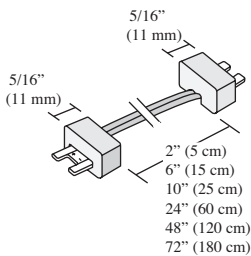
For details see
Power Supplies on
Page 448.

Part #	Description	SLP
L-DC-ELT12-CON-1	12W 12VDC Power Supply w/6 Snap Mounting Block*	\$47.10
L-DC-ELT18-CON-1	18W 12VDC Power Supply w/6 Snap Mounting Block*	\$63.20
L-DC-SLELT30-1	30W 12VDC Power Supply w/6 Snap Mounting Block*	\$84.15
L-DC-SLELT60-1	60W 12VDC Power Supply w/6 Snap Mounting Block*	\$109.00
L-DC-ELT6WP-CON-1	6W 12VDC Wall Mount Power Supply w/3 Snap Block*	\$27.95
L-DC-ELT15WP-CON-1	15W 12VDC Wall Mount Power Supply w/6 Snap Block*	\$36.10
L-DC-EQ30-1	30W 12VDC Equiline Power Supply w/6 Snap Block*	\$58.70
L-DC-EQ60-1	60W 12VDC Equiline Power Supply w/6 Snap Block*	\$75.15
L-DCE30D-CON-1†	12VDC 30W Dimmable LED Power Supply	\$108.90
L-DCE60D-CON-1†	12VDC 60W Dimmable LED Power Supply	\$172.90
L-12DCH60X1-1	12VDC 60W Commercial/Industrial Metal Hardwire Dimmable Power Supply	\$173.15
L-12DCH60X3-1	12VDC 180W Commercial/Industrial Metal Hardwire Dimmable Power Supply	\$380.70

* Dimmable on trailing edge (12V side). Mounting block and power cord are included.

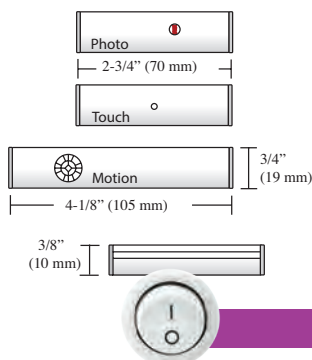
† Dimmable by traditional line voltage (120V) wall dimmers. Mounting block included requires electrician to install.

SimpLED Link Cord



Part #	Description	SLP
L-LED-SMPLNK-5-1	2" (5 cm) 12VDC SimplLED Linking Cord	\$5.20
L-LED-SMPLNK-15-1	6" (15 cm) 12VDC SimplLED Linking Cord	\$5.55
L-LED-SMPLNK-25-1	10" (25 cm) 12VDC SimplLED Linking Cord	\$5.90
L-LED-SMPLNK-60-1	24" (60 cm) 12VDC SimplLED Linking Cord	\$7.00
L-LED-SMPLNK-120-1	48" (120 cm) 12VDC SimplLED Linking Cord	\$8.75
L-LED-SMPLNK-180-1	72" (180 cm) 12VDC SimplLED Linking Cord	\$10.65

SimpLED Control Modules



Part #	Description	SLP
L-LED-SMPPHOTO-1	27W Rectangle Inline Photo Sensor	\$38.00
L-LED-SMPTD4-1	27W Rectangle Inline Touch Dimmer	\$46.25
L-LED-SMPMOT-1	27W Rectangle Inline Motion Sensor	\$59.30

Controls up to 5.5 ft. (1.6 m) of SimplLED lights.

Max load 27W.

COMPONENTS: POWER SUPPLIES, CONTROLLERS & MORE SEE PAGE 448.

Eurolinx

12V DC

4W/ft.
(13.1 W/m)

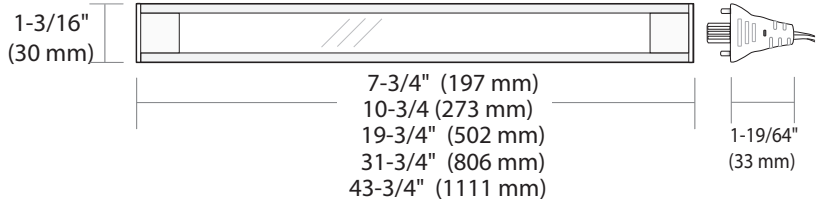
216 Lumens
per ft.
(708 per meter)



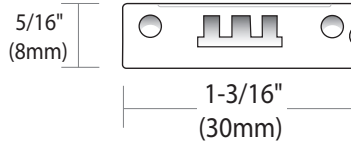
The Eurolinx's flat profile blends in with any application. Using specialized diffuser and reflector technology to achieve Luniform output, this European style light is a perfect choice for all contemporary and high-end commercial applications. Use the magnets within the U-Clips for metal shelving or office furniture mounting. At 4W per foot and over 200 lumens, Eurolinx is a top pick for high illumination.



Dimensions:



Available Finishes:



Specifications:

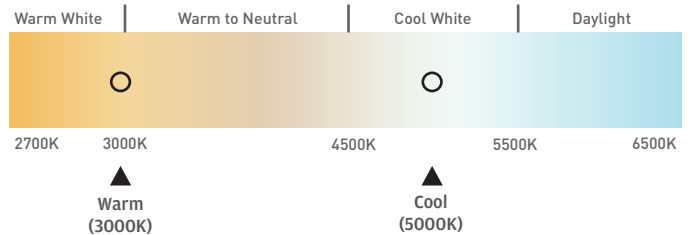


Wattage	Lumens	Efficacy (lm/W)	Input Voltage	Diode Life	Max Per 60W Power Supply	Max Continuous Run	Mounting	Warranty	Beam Angle
4W/ft. (13.1 W/m)	216 per ft. (708 per m)	54	12VDC	50,000 Hours	15' (4.6 m)	10' (3 m)	Surface	5 Year	

Photometric Data

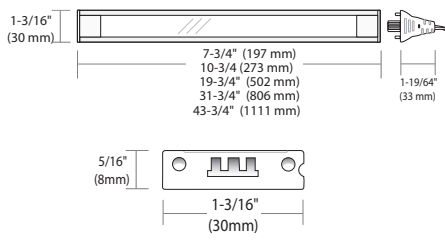
Height	Light Output	Beam Area
1ft (.3 m)	266.60Fc (2870lx)	2.9ft L x 3.3ft W (.88 m L x 1 m W)
3ft (.9 m)	29.62Fc (318.8lx)	8.8ft L x 10ft W (2.7 m L x 3 m W)
6ft (1.8 m)	7.40Fc (79.6lx)	17.6ft L x 20ft W (5.4 m L x 6 m W)

Color Temperature



● Required
● Optional

Eurolinx Series



Part #	Description	SLP
L-EUL3W-197WAL-1	7.75" (197 mm) 12VDC 3W Eurolinx 3000K	\$82.85
L-EUL4W-273WAL-1	10.75" (273 mm) 12VDC 4W Eurolinx 3000K	\$92.45
L-EUL7W-502WAL-1	19.75" (502 mm) 12VDC 7W Eurolinx 3000K	\$107.00
L-EUL11W-806WAL-1	31.75" (806 mm) 12VDC 11W Eurolinx 3000K	\$133.50
L-EUL15W-1111WAL-1	43.75" (1111 mm) 12VDC 15W Eurolinx 3000K	\$160.00
L-EUL3W-197CAL-1	7.75" (197 mm) 12VDC 3W Eurolinx 5000K	\$82.85
L-EUL4W-273CAL-1	10.75" (273 mm) 12VDC 4W Eurolinx 5000K	\$92.45
L-EUL7W-502CAL-1	19.75" (502 mm) 12VDC 7W Eurolinx 5000K	\$107.00
L-EUL11W-806CAL-1	31.75" (806 mm) 12VDC 11W Eurolinx 5000K	\$133.50
L-EUL15W-1111CAL-1	43.75" (1111 mm) 12VDC 15W Eurolinx 5000K	\$160.00

30,000 useful life hours
Maximum continuous run 10 ft. (3 m) to prevent voltage drop. Maximum 15 ft. (4.6 m) per 60W power supply.
Each light includes 79" (2 m) cord, U-Clips, back to back connector.

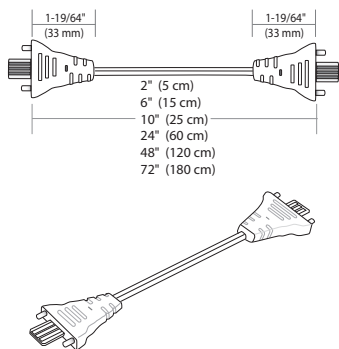
Power Supplies



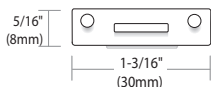
For details see Power Supplies on Page 448.

Eurolinx works with all Tresco 12VDC power supplies.

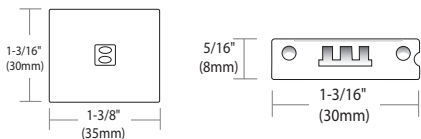
Euro Link Cord



Part #	Description	SLP
L-EULNK-15-WH-1	6" (15 cm) Eurolinx linking cord, white	\$8.90
L-EULNK-25-WH-1	10" (25 cm) Eurolinx linking cord, white	\$9.25
L-EULNK-60-WH-1	24" (60 cm) Eurolinx linking cord, white	\$10.75
L-EULNK-120-WH-1	48" (120 cm) Eurolinx linking cord, white	\$12.80
L-EULNK-180-WH-1	72" (180 cm) Eurolinx linking cord, white	\$15.40



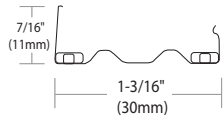
Eurolinx Touch Dimmer



Part #	Description	SLP
L-EUL-GTD-1	27W Eurolinx gradual inline touch dimmer	\$25.70

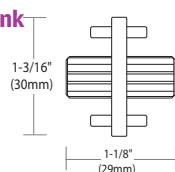
Controls up to 6 feet (1.8 m) of Eurolinx Lights.
Max load 27W.

Eurolinx U-Clips



Part #	Description	SLP
L-EUL-UCLP-1	Eurolinx U-Clip with integrated magnets pack (2-clips)	\$6.25

Eurolinx Back-to-Back Link



Part #	Description	SLP
L-EULNK-BTB-GY-1	Eurolinx Back-to-Back Link, Gray	\$5.10

Included with each light.



COMPONENTS: POWER SUPPLIES, CONTROLLERS & MORE SEE PAGE 448.

Elli® Series

12V DC

3.6W/ft.
(11.8 W/m)

200 Lumens
per ft.
(654 per meter)



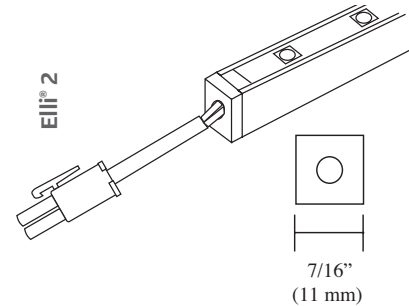
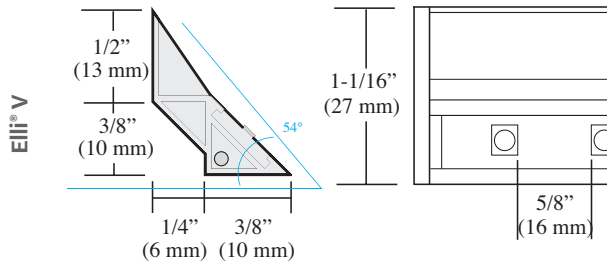
The patented Elli® Series is available in six lengths and features a square or an angled design that fits easily over glue or staples commonly found in cabinet and casework construction. High-output, wide-angle LEDs and fixture-to-fixture linking capability make for perfect, even illumination.

US PATENT NO: D577,857 & D574,107



Dimensions:

Available Finishes:



Specifications:



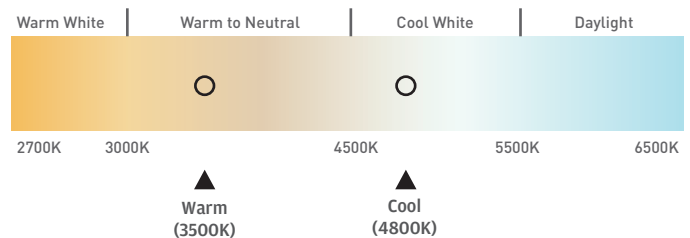
Wattage	Lumens	Efficacy (lm/W)	Input Voltage	Diode Life	Max Per 60W Power Supply	Max Continuous Run	Mounting	Warranty	Beam Angle
3.6W/ft. (11.8 W/m)	200 per ft. (654 per m)	55.4	12VDC	50,000 Hours	16' (4.88 m)	12' (3.66 m)	Surface	5 Year	

Photometric Data

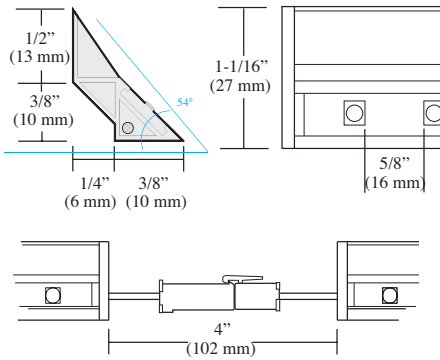
Height	Light Output	Beam Area
1ft (.3 m)	282.60Fc (3041.9lx)	3ft L x 3ft W (.9 m L x .9 m W)
3ft (.9 m)	31.40Fc (338lx)	9ft L x 9ft W (2.7 m L x 2.7 m W)
6ft (1.8 m)	7.85Fc (84.5lx)	18ft L x 18.1ft W (5.5 m L x 5.5 m W)

L-LED-SQPR-1016C Tested

Color Temperature



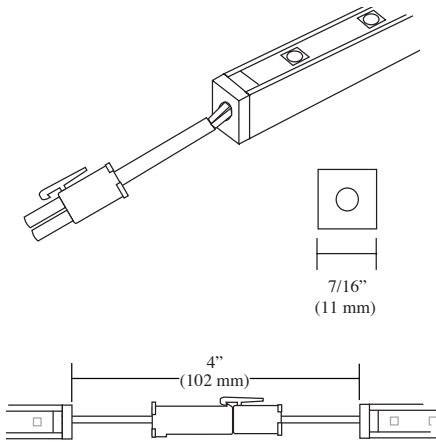
Elli® V Series



Part #	Description	SLP
L-LED-AGLPR-250WAL-1	11" (279 mm) Elli® V LED, 3500K, Aluminum	\$73.85
L-LED-AGLPR-406WAL-1	17" (432 mm) Elli® V LED, 3500K, Aluminum	\$105.90
L-LED-AGLPR-559WAL-1	23" (584 mm) Elli® V LED, 3500K, Aluminum	\$136.20
L-LED-AGLPR-711WAL-1	29" (737 mm) Elli® V LED, 3500K, Aluminum	\$164.75
L-LED-AGLPR-864WAL-1	35" (889 mm) Elli® V LED, 3500K, Aluminum	\$200.35
L-LED-AGLPR-1016WAL-1	41" (1041 mm) Elli® V LED, 3500K, Aluminum	\$225.10
L-LED-AGLPR-250CAL-1	11" (279 mm) Elli® V LED, 4800K, Aluminum	\$73.85
L-LED-AGLPR-406CAL-1	17" (432 mm) Elli® V LED, 4800K, Aluminum	\$105.90
L-LED-AGLPR-711CAL-1	29" (737 mm) Elli® V LED, 4800K, Aluminum	\$164.75
L-LED-AGLPR-1016CAL-1	41" (1041 mm) Elli® V LED, 4800K, Aluminum	\$225.10

50,000 useful life hours.
Maximum continuous run 12 ft. (3.65 m) to prevent voltage drop. 16 ft. (4.88 m) maximum per power supply.

Elli 2 Series



Part #	Description	SLP
L-LED-SQPR-250WAL-1	11" (279 mm) Elli® 2 LED, 3500K, Aluminum	\$73.85
L-LED-SQPR-406WAL-1	17" (432 mm) Elli® 2 LED, 3500K, Aluminum	\$105.90
L-LED-SQPR-559WAL-1	23" (584 mm) Elli® 2 LED, 3500K, Aluminum	\$136.20
L-LED-SQPR-711WAL-1	29" (737 mm) Elli® 2 LED, 3500K, Aluminum	\$164.75
L-LED-SQPR-864WAL-1	35" (889 mm) Elli® 2 LED, 3500K, Aluminum	\$200.35
L-LED-SQPR-1016WAL-1	41" (1041 mm) Elli® 2 LED, 3500K, Aluminum	\$225.10
L-LED-SQPR-250CAL-1	11" (279 mm) Elli® 2 LED, 4800K, Aluminum	\$73.85
L-LED-SQPR-559CAL-1	23" (584 mm) Elli® 2 LED, 4800K, Aluminum	\$136.20
L-LED-SQPR-864CAL-1	35" (889 mm) Elli® 2 LED, 4800K, Aluminum	\$200.35
L-LED-SQPR-1016CAL-1	41" (1041 mm) Elli® 2 LED, 4800K, Aluminum	\$225.10

50,000 useful life hours.
Maximum continuous run 12 ft. (3.65 m) to prevent voltage drop. 16 ft. (4.88 m) maximum per power supply.

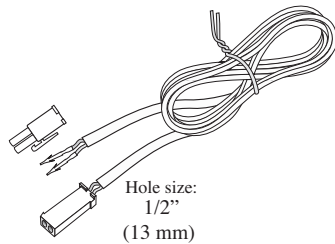
Power Supplies



For details see Power Supplies on Page 448.

Elli® Series works with all Tresco 12VDC power supplies.

Starter Cord / Link Cord



Part #	Description	SLP
L-LED-LINKD-8-1	3" (8 cm) 12VDC Starter/Link/Extension Cord	\$3.30
L-LED-LINKD-15-1	6" (15 cm) 12VDC Starter/Link/Extension Cord	\$4.00
L-LED-LINKD-25-1	10" (25 cm) 12VDC Starter/Link/Extension Cord	\$5.80
L-LED-LINKD-60-1	24" (60 cm) 12VDC Starter/Link/Extension Cord	\$6.65
L-LED-LINKD-120-1	48" (120 cm) 12VDC Starter/Link/Extension Cord	\$8.15
L-LED-LINKD-180-1	72" (180 cm) 12VDC Starter/Link/Extension Cord	\$9.95
L-LED-LINKD-245-1	96" (245 cm) 12VDC Starter/Link/Extension Cord	\$11.95



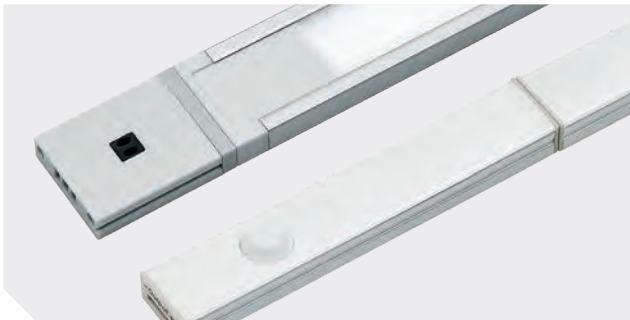
COMPONENTS: POWER SUPPLIES, CONTROLLERS & MORE SEE PAGE 448.



Linear Lighting

The hottest trend in LED lighting, linear lights are available in a range of styles, sizes, outputs and color temperatures. Popular for their high light output and even illumination, Tresco sets the standard in linear LED selection with our innovative Luniform technology in several options.

Linear Lighting Features:



▶ Optional inline dimmers



▶ Linkable (back-to-back or link cord)



▶ Mounting clips included

Typical Applications:

- Showcases
- Displays or store fixtures
- Task lighting
- Metal shelving
- Office furniture
- Under cabinet



90
FUSION
OLD
RESTER
SINGLE BARREL
Import Whiskey, 40% Alc/Vol (80 Proof)

Weller
THE ORIGINAL
WHEATED BOURBON
SPECIAL RESERVE

WOODFORD
RESERVE
15

Blood Oath
BLENDED WHISKY
40% Alc/Vol (80 Proof)

WOODFORD RESERVE
BATCH 2019

Four Roses
SINGLE BARREL
Bourbon
40% Alc/Vol (80 Proof)

WOODFORD RESERVE
150ml, 40% Alc/Vol (80 Proof)

OLD
RIPLEY


WOODFORD RESERVE

OLD
RIPLEY

INFINEX Flush

tresco
lighting

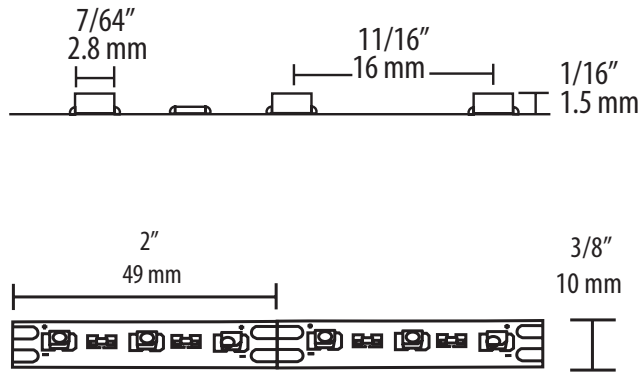
FlexTape® 1.5W

1.5W/ft. (4.9 W/m)	150 Lumens per ft. (492 per meter)	 115°
------------------------------	---	--



Cutable every 2" (50 mm)

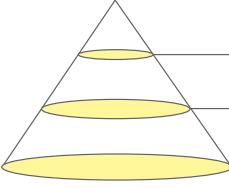

Dimensions:



Specifications:




Wattage	Lumens	Efficacy (lm/W)	Input Voltage	Diode Life	Max Per 60W Power Supply	Max Continuous Run	Mounting	Warranty	Beam Angle
1.5W/ft. (4.9 W/m)	150 per ft. (492 per m)	100	12VDC	50,000 Hours	40' (12 m)	20' (6 m)	Surface	5 Year	

Photometric Data				Color Temperature					
	Height	Light Output	Beam Area						
	1ft (3m)	49.2Fc (529.6lx)	3.3ft L x 3.3ft W (1 m L x 1 m W)	2700K	3000K	3500K	4500K	5500K	6500K
	3ft (.9m)	5.47Fc (58.9lx)	9.8ft L x 10ft W (3 m L x 3 m W)	Warm (2700K)	Warm (3000K)	Neutral (3500K)	Cool (4800K)	Daylight (6500K)	
	6ft (1.8m)	1.37Fc (14.7lx)	19.5ft L x 20ft W (5.9 m L x 6.1 m W)						

L-LED-FLXTPE-C Tested

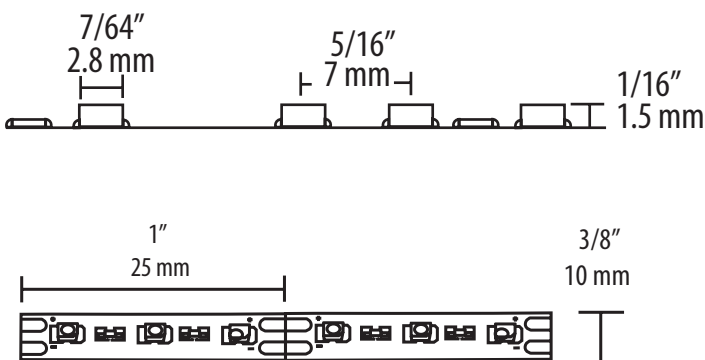
FlexTape® 3W

3W/ft. <small>(9.8 W/m)</small>	365 Lumens <small>per ft.</small> <small>(1197 per meter)</small>	 115°
---	--	--




Cuttable every 1" (25 mm)

Dimensions:



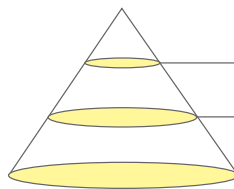
Specifications:



Wattage	Lumens	Efficacy (lm/W)	Input Voltage	Diode Life	Max Per 60W Power Supply	Max Continuous Run	Mounting	Warranty	Beam Angle
3W/ft. (9.8 W/m)	365 per ft. (1197 per m)	120	12VDC	50,000 Hours	20' (6 m)	16.4' (6 m)	Surface	5 Year	

Photometric Data

Height	Light Output	Beam Area
1ft (3m)	120Fc (1219.7lx)	3.4ft L x 3.3ft W (1.1 m L x 1 m W)
3ft (.9m)	13.3Fc (143.2lx)	10.1ft L x 9.8ft W (3.1 m L x 3 m W)
6ft (1.8m)	3.33Fc (35.8lx)	20.2ft L x 19.6ft W (6.2 m L x 6 m W)




LED-FLXTPE-CHO Tested

Color Temperature

Warm White	Warm to Neutral	Cool White	Daylight
2700K ▲ Warm (2700K)	3000K ▲ Warm (3000K)	4500K ▲ Neutral (3500K)	6500K ▲ Cool (4800K) Daylight (6500K)

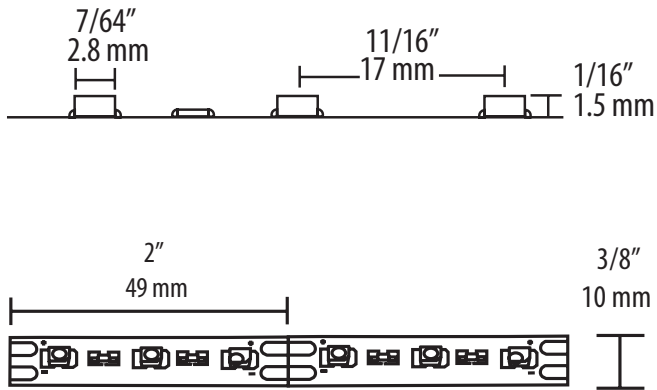
FlexTape® 4.4W

4.4W/ft. <small>(14.4 W/m)</small>	420 Lumens <small>per ft.</small> <small>(1378 per meter)</small>	 115°
--	--	--




Cuttable every 2" (50 mm)

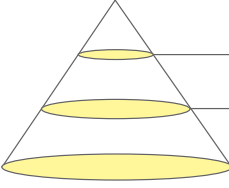

Dimensions:



Specifications:




Wattage	Lumens	Efficacy (lm/W)	Input Voltage	Diode Life	Max Per 60W Power Supply	Max Continuous Run	Mounting	Warranty	Beam Angle
4.4W/ft. (14.4 W/m)	420 per ft. (1378 per m)	95	12VDC	50,000 Hours	13' (3.96 m)	13' (3.96 m)	Surface	5 Year	

Photometric Data				Color Temperature				
	Height	Light Output	Beam Area	<div style="display: flex; justify-content: space-between;"> Warm White Warm to Neutral Cool White Daylight </div>				
	1ft (.3m)	140Fc (1507lx)	3.2ft L x 3.3ft W (.98 m L x .91 m W)					
	3ft (.9m)	15.5Fc (166.8lx)	9.7ft L x 9.8ft W (3 m L x 3 m W)	2700K	3000K	4500K	5500K	6500K
	6ft (1.8m)	3.88Fc (41.8lx)	19.4ft L x 19.7ft W (5.9 m L x 6 m W)	▲ Warm (2700K)	▲ Warm (3000K)	▲ Neutral (3500K)	▲ Cool (4800K)	▲ Daylight (6500K)

L-FLXTPE-48CRV-1 Tested

FlexTape® 5.5W

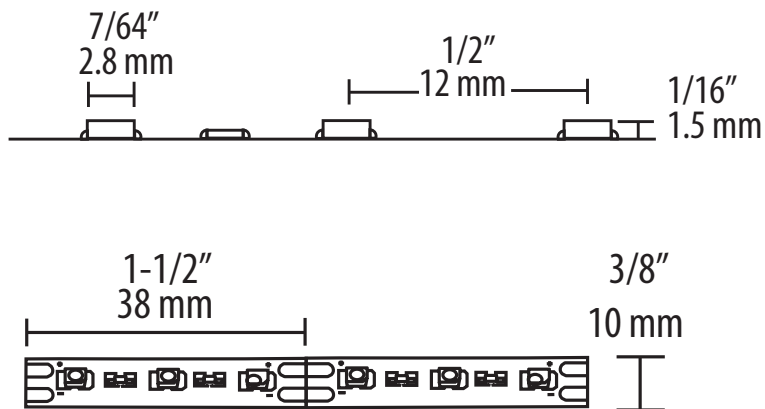
5.5W/ft. <small>(18 W/m)</small>	615 Lumens <small>per ft.</small> <small>(2017 per meter)</small>	 115°
--	--	--

Only to be used with Infinex




Cuttable every 1-1/2" (38 mm)

Dimensions:



Specifications:



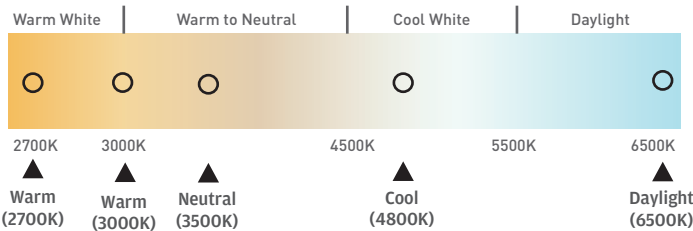
Wattage	Lumens	Efficacy (lm/W)	Input Voltage	Diode Life	Max Per 60W Power Supply	Max Continuous Run	Mounting	Warranty	Beam Angle
5.5W/ft. (18 W/m)	615 per ft. (2017 per m)	112	12VDC	50,000 Hours	10' (3 m)	10' (3 m)	Surface	5 Year*	

Photometric Data

Height	Light Output	Beam Area
1ft (3m)	205Fc (2207lx)	3.3ft L x 3.1ft W (1 m L x .94 m W)
3ft (.9m)	22.8Fc (245lx)	10ft L x 9.3ft W (3 m L x 2.8 m W)
6ft (1.8m)	5.69Fc (61.3lx)	19.9ft L x 18.6ft W (6 m L x 5.6 m W)

L-FLXTPE-48RU-1 Tested

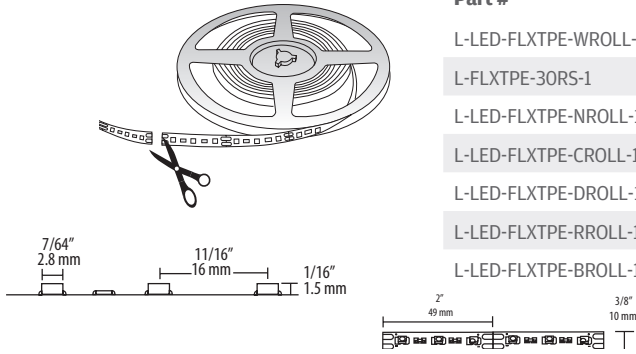
Color Temperature



*MUST USE PROPER HEAT SINK (i.e. Infinex Aluminum Extrusions)

● Required
● Optional
SLP

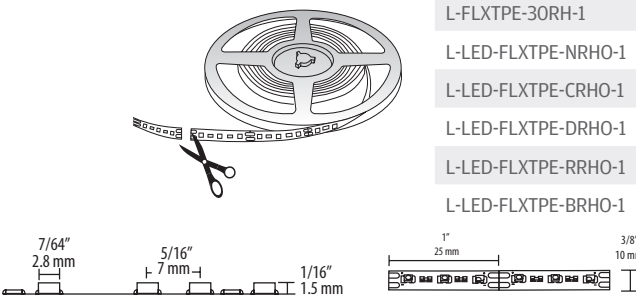
FlexTape® 1.5W



Part #	Description	SLP
L-LED-FLXTPE-WROLL-1	20' (6 m) 12VDC 2700K FlexTape® Roll	\$266.40
L-FLXTPE-30RS-1	20' (6 m) 12VDC 3000K FlexTape® Roll	\$266.40
L-LED-FLXTPE-NROLL-1	20' (6 m) 12VDC 3500K FlexTape® Roll	\$266.40
L-LED-FLXTPE-CROLL-1	20' (6 m) 12VDC 4800K FlexTape® Roll	\$266.40
L-LED-FLXTPE-DROLL-1	20' (6 m) 12VDC 6500K FlexTape® Roll	\$266.40
L-LED-FLXTPE-RROLL-1	20' (6 m) 12VDC Red FlexTape® Roll	\$266.40
L-LED-FLXTPE-BROLL-1	20' (6 m) 12VDC Blue FlexTape® Roll	\$266.40

Maximum continuous run is 20' (6 m). Maximum per power supply is 40' (12 m). Mounts with adhesive backing. Cuttable every 2" (50 mm). To be used on clean, smooth surfaces. Pressure must be applied for proper 3M™ tape adhesion.

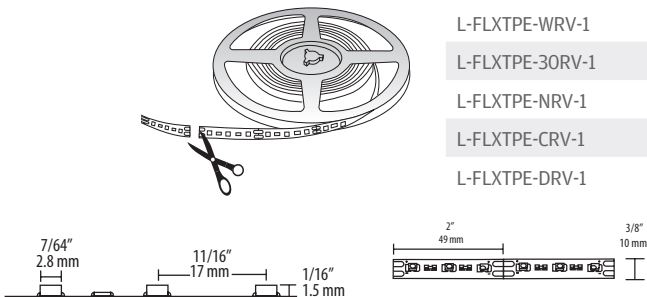
FlexTape® 3W



Part #	Description	SLP
L-LED-FLXTPE-WRHO-1	16.4' (5 m) 12VDC 2700K High Output FlexTape® Roll	\$261.05
L-FLXTPE-30RH-1	16.4' (5 m) 12VDC 3000K High Output FlexTape® Roll	\$261.05
L-LED-FLXTPE-NRHO-1	16.4' (5 m) 12VDC 3500K High Output FlexTape® Roll	\$261.05
L-LED-FLXTPE-CRHO-1	16.4' (5 m) 12VDC 4800K High Output FlexTape® Roll	\$261.05
L-LED-FLXTPE-DRHO-1	16.4' (5 m) 12VDC 6500K High Output FlexTape® Roll	\$261.05
L-LED-FLXTPE-RRHO-1	16.4' (5 m) 12VDC Red High Output FlexTape® Roll	\$261.05
L-LED-FLXTPE-BRHO-1	16.4' (5 m) 12VDC Blue High Output FlexTape® Roll	\$261.05

Maximum continuous run is 16.4' (5 m). Maximum per power supply is 20' (6 m). Mounts with adhesive backing. Cuttable every 1" (25 mm). To be used on clean, smooth surfaces. Pressure must be applied for proper 3M™ tape adhesion.

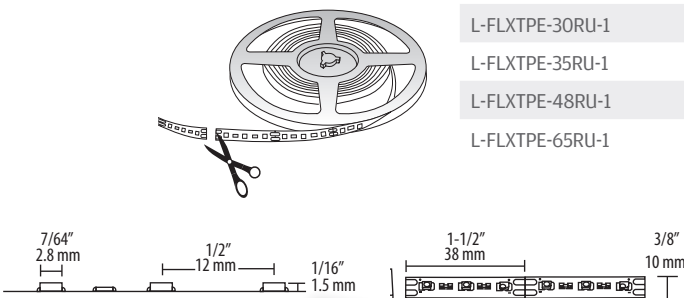
FlexTape® 4.4W



Part #	Description	SLP
L-FLXTPE-WRV-1	13' (4 m) 12VDC 2700K High Output FlexTape® Roll	\$238.60
L-FLXTPE-30RV-1	13' (4 m) 12VDC 3000K High Output FlexTape® Roll	\$238.60
L-FLXTPE-NRV-1	13' (4 m) 12VDC 3500K High Output FlexTape® Roll	\$238.60
L-FLXTPE-CRV-1	13' (4 m) 12VDC 4800K High Output FlexTape® Roll	\$238.60
L-FLXTPE-DRV-1	13' (4 m) 12VDC 6500K High Output FlexTape® Roll	\$238.60

Maximum continuous run is 13' (4 m). Maximum per power supply is 13' (4 m). Mounts with adhesive backing. Cuttable every 2" (50 mm). To be used on clean, smooth surfaces. Pressure must be applied for proper 3M™ tape adhesion.

FlexTape® 5.5W



Part #	Description	SLP
L-FLXTPE-27RU-1	10' (3 m) 12VDC 2700K Ultra Output FlexTape® Roll	\$183.65
L-FLXTPE-30RU-1	10' (3 m) 12VDC 3000K Ultra Output FlexTape® Roll	\$183.65
L-FLXTPE-35RU-1	10' (3 m) 12VDC 3500K Ultra Output FlexTape® Roll	\$183.65
L-FLXTPE-48RU-1	10' (3 m) 12VDC 4800K Ultra Output FlexTape® Roll	\$183.65
L-FLXTPE-65RU-1	10' (3 m) 12VDC 6500K Ultra Output FlexTape® Roll	\$183.65

Maximum continuous run is 10' (3 m). Maximum per power supply is 10' (3 m). Mounts with adhesive backing. Cuttable every 1-1/2" (38 mm). To be used on clean, smooth surfaces. Pressure must be applied for proper 3M™ tape adhesion. **MUST USE PROPER HEAT SINK (i.e. Inflex Aluminum Extrusions)**

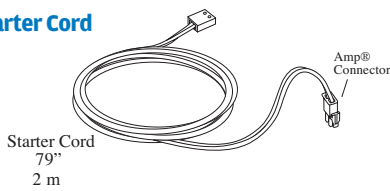
Power Supplies



For details see Power Supplies on Page 448.

● Required
● Optional
SLP

Starter Cord

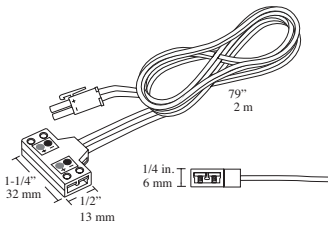


Part #	Description	SLP
L-LED-TPEPKT-2M-1	79" (2 m) FlexTape® Straight Starter Lead	\$8.75
L-TPEPKT-2IN-1	2" (50 mm) FlexTape® Straight Starter Lead	\$7.00

5/8" (16 mm) hole required.

FlexTape® Wattage	Maximum linear run from one starter cord
1.5W	20' (6 m)
3W	16.4' (5 m)
4.4W	13' (4 m)
5.5W	10' (3m) MUST USE PROPER HEAT SINK

Tee Starter Cord



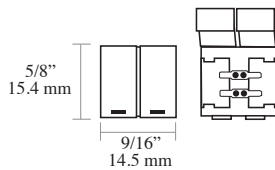
Part #	Description	SLP
L-LED-TPEPKT-2M-TEE-1	79" (2 m) FlexTape® Tee Starter Lead	\$12.45

5/8" (16 mm) hole required.

FlexTape® Wattage	Maximum run per side	Maximum run overall
1.5W	20' (6 m)	40' (12m)
3W	16.4' (5 m)	20' (6 m)
4.4W	13' (4 m)	13' (4 m)

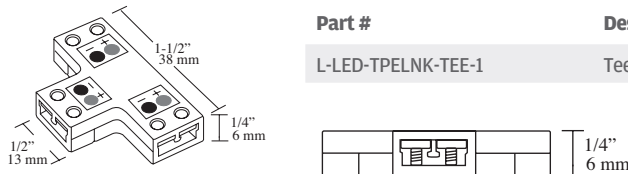


Back-to-Back Connector



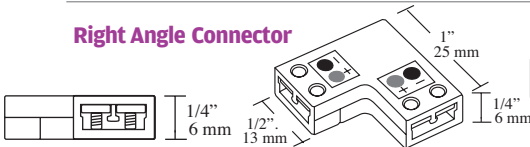
Part #	Description	SLP
L-TPELNK-BTB-1	Back-to-Back Connector	\$2.60

Tee Connector



Part #	Description	SLP
L-LED-TPELNK-TEE-1	Tee Link Connector	\$5.20

Right Angle Connector



Part #	Description	SLP
L-LED-TPELNK-CON90-1	90° Link Connector	\$4.50

Jumper Cord




Positive and negative contacts on FlexTape® and FlexConnects should match-up to maintain proper polarity.

Part #	Description	SLP
L-LED-TPELNK-5-1	2" (5 cm) FlexTape® Link Cord	\$4.60
L-LED-TPELNK-15-1	6" (15 cm) FlexTape® Link Cord	\$5.20
L-LED-TPELNK-25-1	10" (25 cm) FlexTape® Link Cord	\$5.70
L-LED-TPELNK-60-1	24" (60 cm) FlexTape® Link Cord	\$6.50
L-LED-TPELNK-120-1	48" (120 cm) FlexTape® Link Cord	\$6.75
L-LED-TPELNK-180-1	72" (180 cm) FlexTape® Link Cord	\$7.45



COMPONENTS: POWER SUPPLIES, CONTROLLERS & MORE SEE PAGE 448.

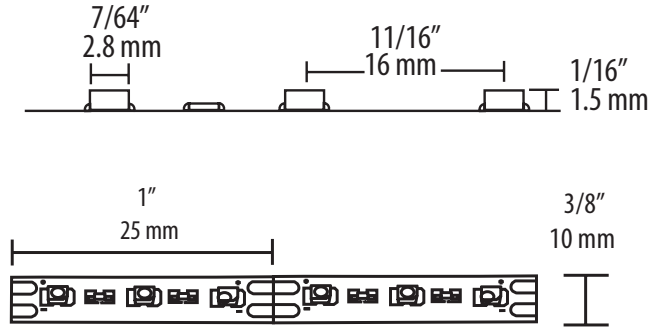
EquiLine Tape LED 1.5W

1.5W/ft. <small>(4.9 W/m)</small>	135 Lumens <small>per ft.</small> <small>(443 per meter)</small>	 115°
---	---	--




Cuttable every 1" (25 mm)

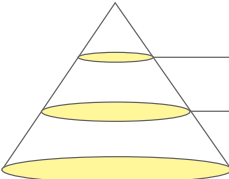
Dimensions:



Specifications:




Wattage	Lumens	Efficacy (lm/W)	Input Voltage	Diode Life	Max Per 60W Power Supply	Max Continuous Run	Mounting	Warranty	Beam Angle
1.5W/ft. (4.9 W/m)	135 per ft. (443 per m)	90	12VDC	25,000 Hours	40' (12 m)	20' (6 m)	Surface	2 Year	

Photometric Data			Color Temperature					
	Height	Light Output	Beam Area	2700K	3000K	4500K	5500K	6500K
	1ft (.3m)	44.1Fc (474.6lx)	3.1ft L x 3.3ft W (.9 m L x 1 m W)	Warm (2700K)	Warm (3000K)	Neutral (3500K)	Cool (4800K)	Daylight (6500K)
	3ft (.9m)	4.9Fc (52.7lx)	9.4ft L x 9.8ft W (2.9 m L x 3 m W)					
	6ft (1.8m)	1.23Fc (13.3lx)	18.8ft L x 19.6ft W (5.7 m L x 6 m W)					

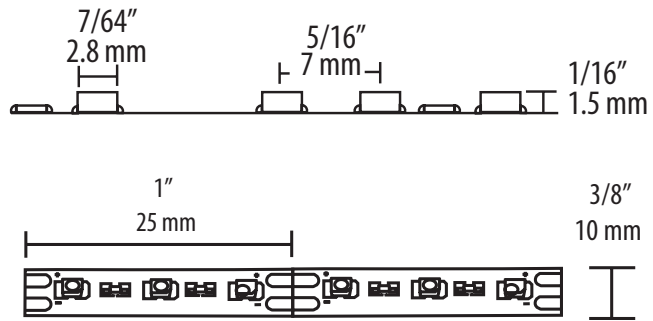
L-TPELED-48SER-1 Tested

EquiLine Tape LED 3W

3W/ft. <small>(9.8 W/m)</small>	255 Lumens <small>per ft.</small> <small>(836 per meter)</small>	 115°
---	---	--




Dimensions:

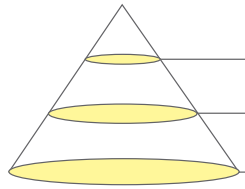



Cuttable every 1" (25 mm)

Specifications:




Wattage	Lumens	Efficacy (lm/W)	Input Voltage	Diode Life	Max Per 60W Power Supply	Max Continuous Run	Mounting	Warranty	Beam Angle
3W/ft. (9.8 W/m)	255 per ft. (836 per m)	85	12VDC	25,000 Hours	20' (6 m)	16.4' (5 m)	Surface	2 Year	

Photometric Data				Color Temperature					
	Height	Light Output	Beam Area	<div style="display: flex; justify-content: space-between; width: 100%;"> Warm White Warm to Neutral Cool White Daylight </div>					
	1ft (3m)	83.9Fc (903.1lx)	3.2ft L x 3.3ft W (1 m L x 1 m W)						
	3ft (.9m)	9.32Fc (100.3lx)	9.5ft L x 9.9ft W (2.9 m L x 3 m W)						
6ft (1.8m)	2.33Fc (25.1lx)	19.1ft L x 19.9ft W (5.8 m L x 6.1 m W)							
				2700K	3000K	3500K	4500K	5500K	6500K
				Warm (2700K)	Warm (3000K)	Neutral (3500K)	Cool (4800K)	Daylight (6500K)	

L-TPELED-48HER-1 Tested

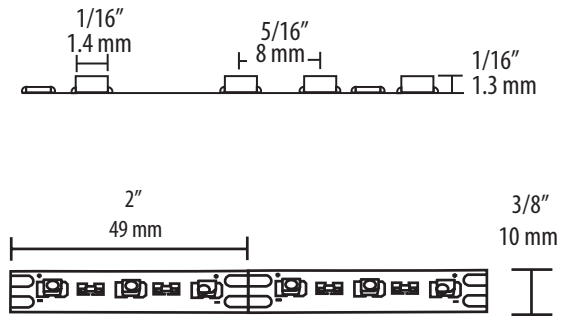
EquiLine Tape LED 4.4W

4.4W/ft. <small>(14.4 W/m)</small>	395 Lumens <small>per ft.</small> <small>(1296 per meter)</small>	 115°
--	--	--




Cutable every 2" (50 mm)

Dimensions:



Specifications:

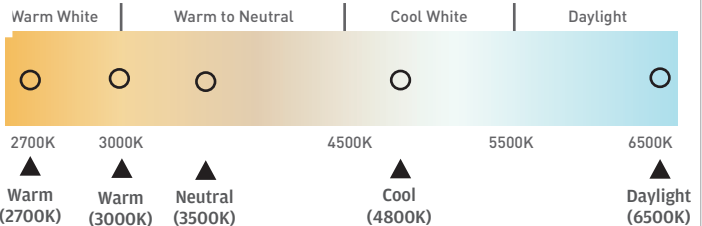


Wattage	Lumens	Efficacy (lm/W)	Input Voltage	Diode Life	Max Per 60W Power Supply	Max Continuous Run	Mounting	Warranty	Beam Angle
4.4W/ft. (14.4 W/m)	395 per ft. (1296 per m)	89	12VDC	25,000 Hours	13' (3.96 m)	13' (3.96 m)	Surface	2 Year	

Photometric Data

Color Temperature

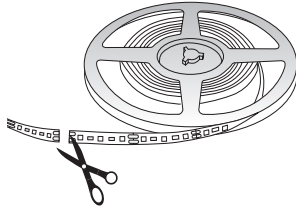
Height	Light Output	Beam Area
1ft (.3 m)	135Fc (1453lx)	3.4ft L x 3.3ft W (1 m L x 1 m W)
3ft (.9 m)	14.9Fc (160.4lx)	10.1ft L x 10ft W (3.1 m L x 3 m W)
6ft (1.8 m)	3.74Fc (40.3lx)	20.2ft L x 20.0ft W (6.2 m L x 6.1 m W)



L-TPELED-48VER-1 Tested

- Required
- Optional

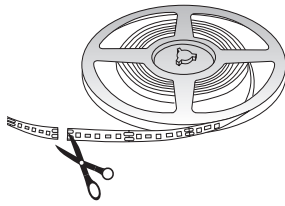
Equiline Tape LED 1.5W



Part #	Description	SLP
L-TPELED-27SER-1	Equiline 20' (6 m) Roll Tape LED 2700K	\$226.85
L-TPELED-30SER-1	Equiline 20' (6 m) Roll Tape LED 3000K	\$226.85
L-TPELED-35SER-1	Equiline 20' (6 m) Roll Tape LED 3500K	\$226.85
L-TPELED-48SER-1	Equiline 20' (6 m) Roll Tape LED 4800K	\$226.85
L-TPELED-65SER-1	Equiline 20' (6 m) Roll Tape LED 6500K	\$226.85

Maximum continuous run is 20' (6 m). Maximum per power supply is 40' (12 m). Mounts with adhesive backing. Cuttable every 2" (49 mm). To be used on clean, smooth surfaces. Pressure must be applied for proper 3M™ tape adhesion.

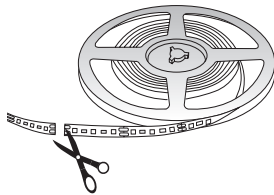
Equiline Tape LED 3W



Part #	Description	SLP
L-TPELED-27HER-1	Equiline 16.4' (5 m) Roll Tape LED 2700K	\$238.70
L-TPELED-30HER-1	Equiline 16.4' (5 m) Roll Tape LED 3000K	\$238.70
L-TPELED-35HER-1	Equiline 16.4' (5 m) Roll Tape LED 3500K	\$238.70
L-TPELED-48HER-1	Equiline 16.4' (5 m) Roll Tape LED 4800K	\$238.70
L-TPELED-65HER-1	Equiline 16.4' (5 m) Roll Tape LED 6500K	\$238.70

Maximum continuous run is 16.4' (5 m). Maximum per power supply is 20' (6 m). Mounts with adhesive backing. Cuttable every 1" (25 mm). To be used on clean, smooth surfaces. Pressure must be applied for proper 3M™ tape adhesion.

Equiline Tape LED 4.4W



Part #	Description	SLP
L-TPELED2-27VER-1	Equiline 13' (3.96 m) Roll Tape LED 2700K	\$243.30
L-TPELED2-30VER-1	Equiline 13' (3.96 m) Roll Tape LED 3000K	\$243.30
L-TPELED2-35VER-1	Equiline 13' (3.96 m) Roll Tape LED 3500K	\$243.30
L-TPELED2-48VER-1	Equiline 13' (3.96 m) Roll Tape LED 4800K	\$243.30
L-TPELED2-65VER-1	Equiline 13' (3.96 m) Roll Tape LED 6500K	\$243.30

Maximum continuous run is 13' (3.96 m). Maximum per power supply is 13' (3.96 m). Mounts with adhesive backing. Cuttable every 2" (50 mm). To be used on clean, smooth surfaces. Pressure must be applied for proper 3M™ tape adhesion.

Power Supplies



For details see Power Supplies on Page 448.

FOR STARTER CORDS AND CONNECTORS SEE PAGE 433.

COMPONENTS: POWER SUPPLIES, CONTROLLERS & MORE SEE PAGE 448.



Infinex



Infinex is the innovative, patented, LED aluminum extrusion system by Tresco Lighting. Gone are the days of set fixture sizes - simply choose your style, cut to desired length and assemble to create a customized LED fixture. Designed by our in-house engineers and made in the USA, Infinex carries a UL safety certification and is available in six profiles with an array of installation options.

Infinex is designed for easy DIY application. We also offer prefabricated custom solutions with a minimum quantity order.

US PATENT NO: D783,533 and 9,618,194

EXTRUSION STYLES AND FEATURES

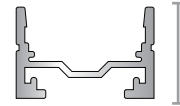
SQUARE

Top View

Profile



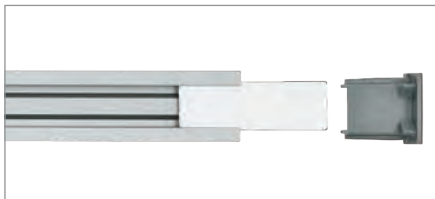
1-1/16"
(18 mm)



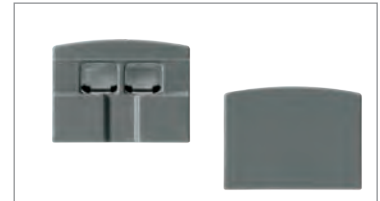
1/2"
(12 mm)



MOUNTING



Couplers Sold Separately



End Caps Sold Separately

Features

Surface mount using magnets, U-Clips or screws

Easily slide magnets into channel on bottom of light

Available stock finishes



Satin Nickel (SC)



White (WH)



Black (BL)



Dark Cherry (DC)



Natural Soft Maple (NSM)

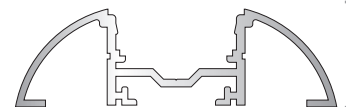
CURVE

Top View

Profile



1-11/16"
(42.5 mm)



1/2"
(13 mm)



MOUNTING



Couplers Sold Separately



End Caps Sold Separately

Features

Surface mount using magnets, U-Clips or screws

Easily slide magnets into channel on bottom of light

Available stock finishes



Satin Nickel (SC)



White (WH)



Black (BL)



Dark Cherry (DC)



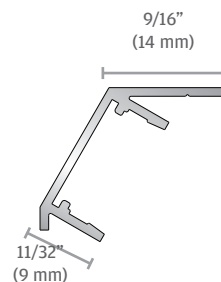
Natural Soft Maple (NSM)

ANGLE

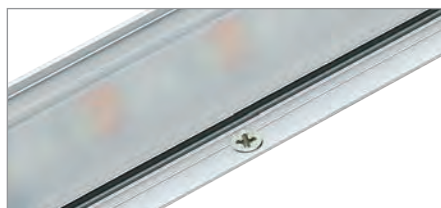
Top View



Profile



MOUNTING



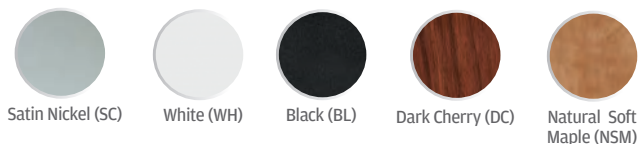
End Caps Sold Separately

Features

For corner mounting with screws only

Fixture directs light at 30° angle

Available stock finishes

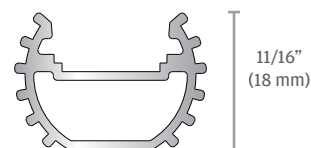


ROUND

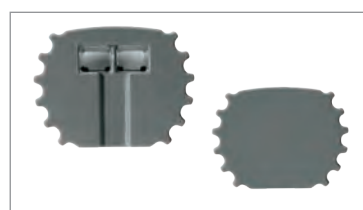
Top View



Profile



MOUNTING

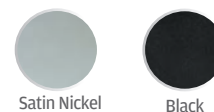


End Caps Sold Separately

Features

U-Clip mounting allows fixture to be rotated in 15° increments either direction (30°, 15°, 0°, -15°, -30°)

Available finishes

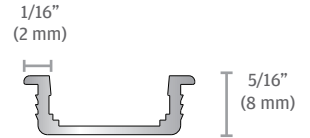


RECESSED

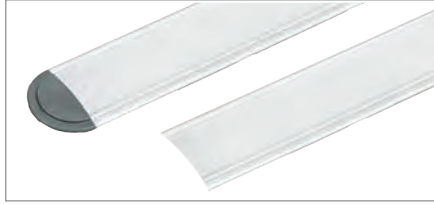
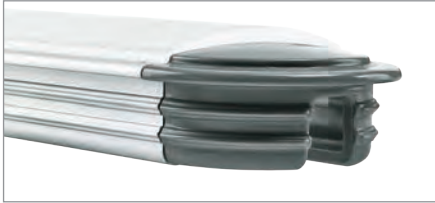
Top View



Profile



MOUNTING



End Caps Sold Separately

Features

Grooved sides allow extrusion to pressure fit into place*

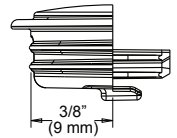
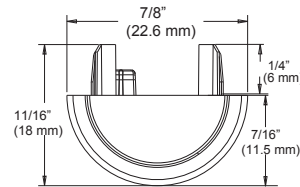
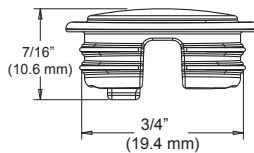
Uses standard FlexTape® starter lead

*With Endcap: Route a channel in wood 21/64" (8.33 mm) depth minimum x .750" (19 mm) width and pressure fit this extrusion in place.

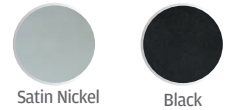
Without Endcap: Route a channel in wood 9/32" (7.14 mm) depth minimum x .750" (19 mm) width and pressure fit this extrusion in place.

Recessed extrusion uses standard FlexTape® starter lead. (L-LED-TPEPKT-2M-1)

Recessed End Cap Dimensions:



Available finishes



FLUSH

Top View



Profile



MOUNTING



No End Caps

Features

No end caps...this extrusion is meant for channels that go the entire width or height of the casework

Comes with milk diffuser (unattached)

Uses standard FlexTape® starter lead

*Route a channel in wood 7/16" (11mm) x .750" width and pressure fit this extrusion in place.

Flush extrusion uses standard FlexTape® starter lead. (L-LED-TPEPKT-2M-1)

Available finishes



Satin Nickel

NEW! **INFINEX MOTION SENSOR/DIMMER**



Dimmer Only



Dimmer /Motion Combo

Not sold individually – only available for Custom Built Infonex by Tresco Lighting

Dimmer

- 12 VDC 60W, 24VDC 96W capacity
- Touch On/Off
- Gradual dimming from 100%-5%
- Power failure memory (retains last setting)
- 10 hour automatic energy saving shutoff

Dimmer/Motion Sensor Combo

- 12 VDC 60W, 24VDC 96W capacity
- Touch dimmer function 100/75/50/25/Off
- 4 step dimming 100/75/50/25
- 30 minute preset motion sensor*
- Motion sensor can be deactivated
- Dimmer works in motion sensor mode or standalone mode
- 10 hour automatic energy saving shutoff in dimmer only mode

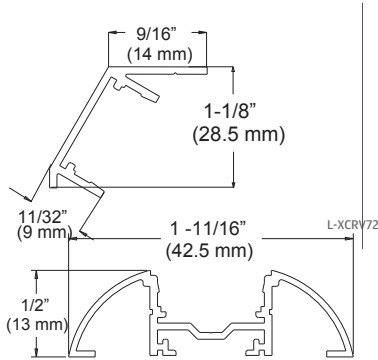
*Motion sensor time can be adjusted upon request



● Required
● Optional
SLP

Extrusions

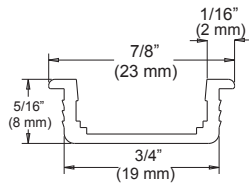
L-XANG72



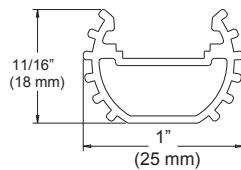
Part #	Description	SLP
L-XANG72-SC-1	72" (1.8 m) Angled Extrusion Satin Clear	\$37.50
L-XANG72-**-1	72" (1.8 m) Angled Extrusion Other Finishes*	\$56.55
L-XCRV72-SC-1	72" (1.8 m) Curved Extrusion Satin Clear	\$55.40
L-XCRV72-**-1	72" (1.8 m) Curved Extrusion Other Finishes*	\$66.15
L-XREC72-SC-1	72" (1.8 m) Recessed Extrusion Satin Clear	\$32.45
L-XREC72-BL-1	72" (1.8 m) Recessed Extrusion Black	\$38.80
L-XRND72-SC-1	72" (1.8 m) Round Extrusion Satin Clear	\$44.95
L-XRND72-BL-1	72" (1.8 m) Round Extrusion Black	\$53.00
L-XSQR72-SC-1	72" (1.8 m) Square Extrusion Satin Clear	\$33.35
L-XSQR72-**-1	72" (1.8 m) Square Extrusion Other Finishes*	\$52.05
L-XFL72-SC-1	72" (1.8 m) Flush Extrusion Satin Clear with Milk Diffuser	\$47.95

**Insert BL for Black, WH for White, DC for Dark Cherry, NSM for Natural Soft Maple

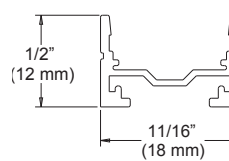
L-XREC72



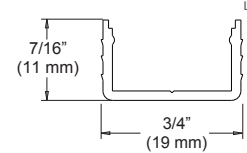
L-XRND72



L-XSQR72



L-XFL72



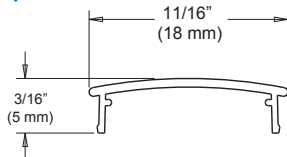
Power Supplies



For details see Power Supplies on Page 448.

Infinex works with all Treco 12VDC power supplies.

Diffusers/Film

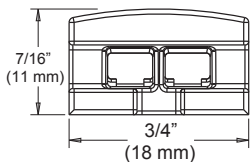


Part #	Description	SLP
L-X72-DIFF-CL-1	72" (1.8 m) Diffuser Clear	\$15.05
L-X72-DIFF-FR-1	72" (1.8 m) Diffuser Frosted	\$15.05
L-X72-DIFF-MLK-1	72" (1.8 m) Diffuser Milk	\$16.70
L-X72-DBF-1	72" (1.8 m) Diode Blending Film	\$7.80

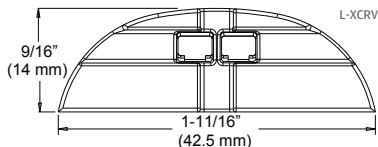
Diode Blending Film to be used with clear diffuser only. Flush extrusion come with its own diffuser.

End Cap Sets

L-XANGCEP



L-XCRVECP

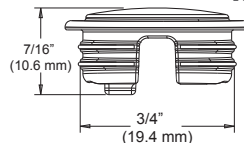


Part #	Description	SLP
L-XANGCEP-GY-1	Angled end cap set, Gray	\$3.30
L-XANGCEP-**-1	Angled end cap set, Other Colors*	\$3.80
L-XCRVECP-GY-1	Curved end cap set, Gray	\$3.30
L-XCRVECP-**-1	Curved end cap set, Other Colors*	\$3.80
L-XRECECP-GY-1	Recessed end cap set, Gray	\$3.30
L-XRECECP-BL-1	Recessed end cap set, Black	\$3.80
L-XRNDCECP-GY-1	Round end cap set, Gray	\$3.80
L-XRNDCECP-BL-1	Round end cap set, Black	\$3.80
L-XSQRECP-GY-1	Square end cap set, Gray	\$3.30
L-XSQRECP-**-1	Square end cap set, Other Colors*	\$3.80

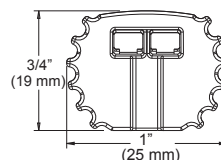
**Insert BL for Black, WH for White, B1 for Dark Brown, B2 for Tan

Flush extrusion does not take end caps.

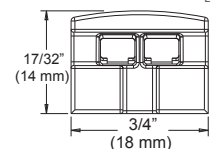
L-XRECECP



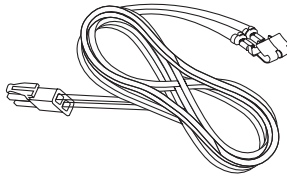
L-XRNDCECP



L-XSQRECP



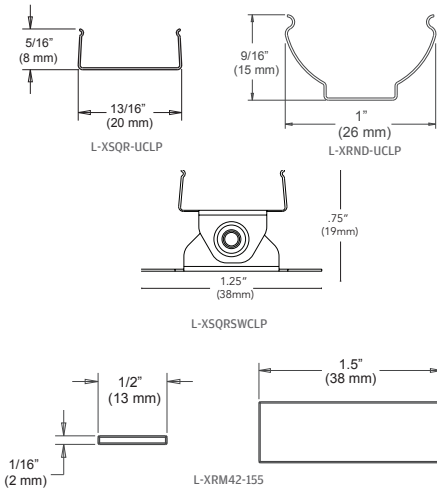
Starter Cord



Part #	Description	SLP
L-XPKT-2M-WH-1	79" (2 m) Starter Cord White	\$9.70
L-XPKT-2IN-WH-1	2" (50 mm) Starter Cord White	\$4.50
L-XPKT-2M-BL-1	79" (2 m) Starter Cord Black	\$9.70
L-XPKT-2IN-BL-1	2" (50 mm) Starter Cord Black	\$4.50

To be used on square, curved, round and angled extrusions only.
Recessed and Flush extrusions uses standard FlexTape® starter lead. (L-LED-TPEPKT-2M-1)

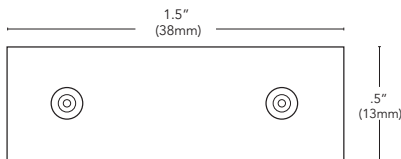
U-Clips/Magnets



Part #	Description	SLP
L-XRND-UCLP-1	Round U-Clips Set (2 Clips)	\$2.35
L-XSQR-UCLP-1	Square/Curved U-Clips Set (2 Clips)	\$2.35
L-XSQRSWCLP-1	Square/Curved Swivel Clips Set (2 Clips)	\$4.25
L-XRM42-155-1	Set of 2 Magnets	\$5.10

One U-Clip/magnet is recommended for every 1 ft. (.3 m) of extrusion.
No. #4 Phillips flat head screws are included with each U-Clip set.

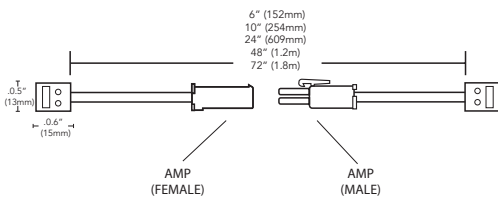
Couplers



Part #	Description	SLP
L-EXTBTB10-1	Pack of 10 Couplers	\$19.65

To be used on square and curved extrusions only.

Linking Cords



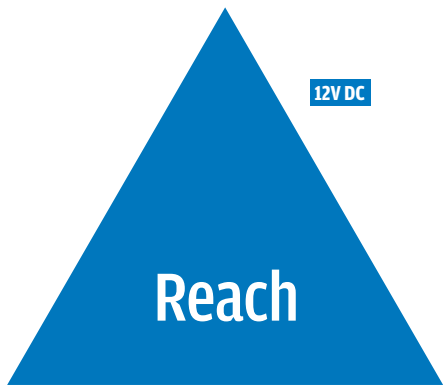
Part #	Description	SLP
L-XLNK-15-**-1	6" (15 cm) 12VDC Infinex Linking Cord	\$10.20
L-XLNK-25-**-1	10" (25 cm) 12VDC Infinex Linking Cord	\$10.65
L-XLNK-60-**-1	24" (60 cm) 12VDC Infinex Linking Cord	\$12.05
L-XLNK-120-**-1	48" (120 cm) 12VDC Infinex Linking Cord	\$13.35
L-XLNK-180-**-1	72" (180 cm) 12VDC Infinex Linking Cord	\$15.15


** Insert BL from Black and WH for White

End Caps not used on linked extrusion ends.



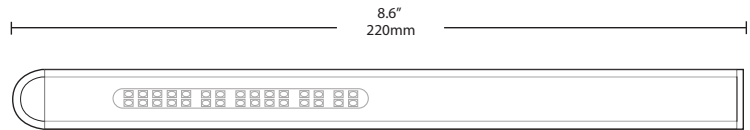
COMPONENTS: POWER SUPPLIES, CONTROLLERS & MORE SEE PAGE 448.



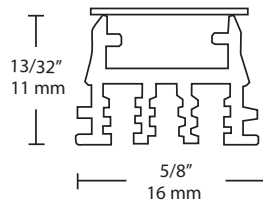
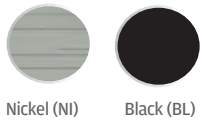
2W	125 Lumens	 90°
<p>REACH full design potential with this one of a kind fixture. Designed to run the depth of a cabinet, it provides all the illumination of a puck and slim look of a linear in one beautiful fixture. With easy to manage wiring, and contemporary appearance, it is truly a light for those looking to make a statement.</p>		



Dimensions:




Available Finishes:



Specifications:

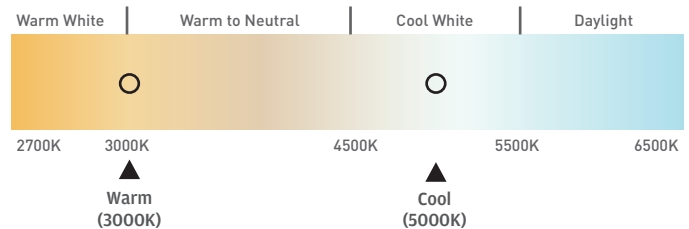


Wattage	Lumens	Efficacy (lm/W)	Input Voltage	Diode Life	Max Per 60W Power Supply	Max Continuous Run	Mounting	Warranty	Beam Angle
2W	125	62.5	12VDC	30,000 Hours	30	N/A	Recess/ Surface	5 Year	 90°

Photometric Data

Color Temperature

Height	Light Output	Beam Area
1ft (3m)	61.80Fc (665.2lx)	2.3ft L x 1.6ft W (7m L x .48m W)
3ft (9m)	6.87Fc (73.9lx)	7ft L x 4.8ft W (2.1m L x 1.4m W)
6ft (1.8m)	1.72Fc (18.5lx)	14.1ft L x 9.6ft W (4.2m L x 2.9m W)

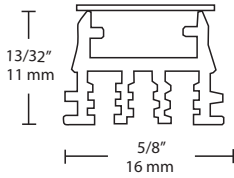


L-HREACH-CNI Tested

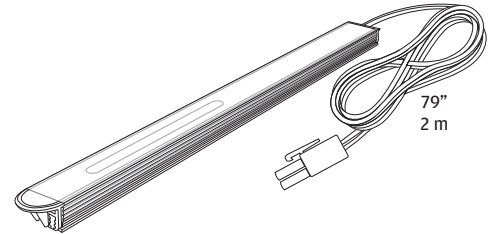
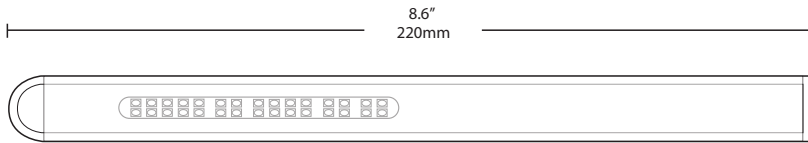
- Required
- Optional

Reach

Part #	Description	SLP
L-HREACH-WNI-1	12VDC 2W Reach light, 3000K, Nickel	\$51.95
L-HREACH-CNI-1	12VDC 2W Reach light, 5000K, Nickel	\$51.95
L-HREACH-WBL-1	12VDC 2W Reach light, 3000K, Black	\$51.95
L-HREACH-CBL-1	12VDC 2W Reach light, 5000K, Black	\$51.95



30,000 useful life hours.
 Routing Dimension: 8-5/8" (219 mm) L x 5/8" (16 mm) W x 13/32" (12 mm) D.
 Includes starter cord 79" (2 m) and AMP connector with each light.



Power Supplies



For details see
**Power Supplies on
 Page 448.**

Part #	Description	SLP
L-DC-ELT12-CON-1	12W 12VDC Power Supply w/6 Snap Mounting Block*	\$47.10
L-DC-ELT18-CON-1	18W 12VDC Power Supply w/6 Snap Mounting Block*	\$63.20
L-DC-SLELT30-1	30W 12VDC Power Supply w/6 Snap Mounting Block*	\$84.15
L-DC-SLELT60-1	60W 12VDC Power Supply w/6 Snap Mounting Block*	\$109.00
L-DC-ELT6WP-CON-1	6W 12VDC Wall Mount Power Supply w/3 Snap Block*	\$27.95
L-DC-ELT15WP-CON-1	15W 12VDC Wall Mount Power Supply w/6 Snap Block*	\$36.10
L-DC-EQ30-1	30W 12VDC Equiline Power Supply w/6 Snap Block*	\$58.70
L-DC-EQ60-1	60W 12VDC Equiline Power Supply w/6 Snap Block*	\$75.15
L-DCE30D-CON-1†	12VDC 30W Dimmable LED Power Supply	\$108.90
L-DCE60D-CON-1†	12VDC 60W Dimmable LED Power Supply	\$172.90
L-12DCH60X1-1	12VDC 60W Commercial/Industrial Metal Hardwire Dimmable Power Supply	\$173.15
L-12DCH60X3-1	12VDC 180W Commercial/Industrial Metal Hardwire Dimmable Power Supply	\$380.70

* Dimmable on trailing edge (12V side). Mounting block and power cord are included.
 † Dimmable by traditional line voltage (120V) wall dimmers. Mounting block included requires electrician to install.



COMPONENTS: POWER SUPPLIES, CONTROLLERS & MORE SEE PAGE 448.

Visit trescolighting.com for more information

Ascent

Let ASCENT guide the way. Designed with the hotel industry in mind, it easily mounts to bed frames, nightstands, armoires and more. The featured time-adjustable PIR sensor illuminates for up to five minutes ensuring plenty of time to move about safely.

Features:

Integrated motion sensor

Adjustable motion sensor operating time
(30 seconds - 5 minutes)

2 Mounting Brackets included (90° and 116°)

Commercial grade 5-year warranty



Eclipse

Add decorative brilliance to glass shelving with this accent light. Slip ECLIPSE on to instantly mesmerize with an artful mixture of light and shadows.

Features:

“Clips” on to 6 or 8 mm glass shelves
(spacer included)

Highly efficient at just 1W

Cone of light emits from top and bottom

Wire exits back of fixture

Commercial grade 5-year warranty



Made-to-order to any project's specific configurations, the Etch Panels provide the perfect solution for commercial and residential backlighting and shelf lighting applications with high light output, uniform intensity and an extremely low profile between the LED panel and the illuminated material. Order it fully constructed or pre-etched panels only.

US PATENT NO: 10,113,708
US PATENT NO: 10,473,305

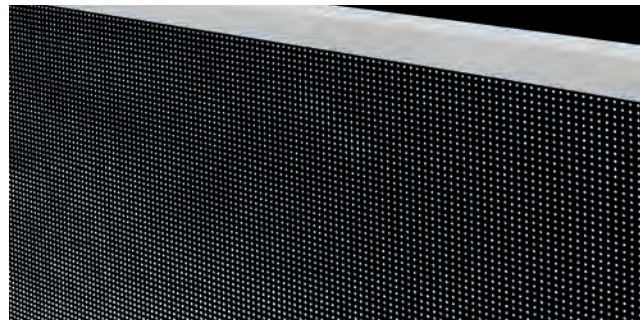
[Visit trescolighting.com/panels](http://trescolighting.com/panels) for more information



For videos visit:
trescolighting.com/videos



► Made in the USA at Tresco's manufacturing facility in Louisville, Ky



► Unique patented edge-lighting and LED process provides high output with even illumination

Features:

- Fully customized, assembled, and ready to plug-in
- Pre-etched 4'x8' panels available for the DIYer
- Available in five color temperatures: 3000K, 3500K, 4000K, 5500K and 6500K
- 7-day production time*
- Dimmable
- Commercial grade 5-year warranty



► Requires zero separation between the light panel and the back lit surface



Power Supplies

Commercial Plug-in Grade Power Supplies

12W



Class 2

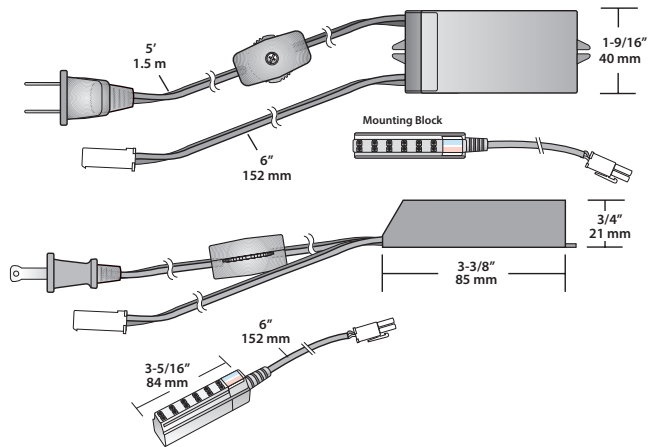


100V-120V

- ✓ Compatible with all Tresco low voltage dimmers
- ⊘ NOT compatible with hardwire wall dimmers

Features:

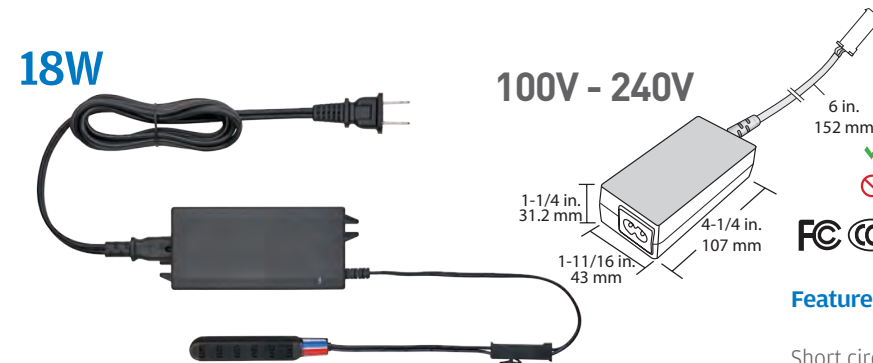
- Short circuit protection*
- 12V DC output, constant voltage
- Overload protection*
- Dimmable on trailing edge (12V side)
- Class 2
- * Automatic reset (no fuses)



Part #	Description	SLP
L-DC-ELT12-CON-1	12W 12VDC Power Supply w/6 Snap Mounting Block	\$47.10
L-TRANS-MNT-BL-1	Extra 6-Snap Mounting Block	\$10.75

18W

100V - 240V

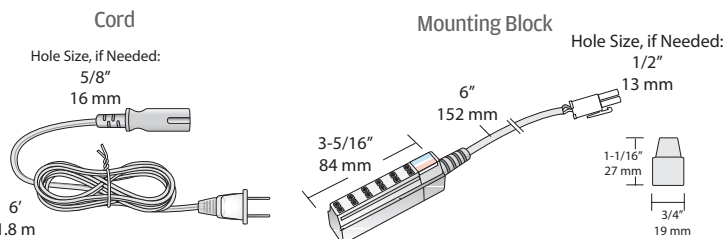


- ✓ Compatible with all Tresco low voltage dimmers
- ⊘ NOT compatible with hardwire wall dimmers



Features:

- Short circuit protection*
- 12V DC output, constant voltage
- Overcurrent protection
- Overload protection*
- RFI protection
- Dimmable on trailing edge (12V side)



Part #	Description	SLP
L-DC-ELT18-CON-1	18W 12VDC Power Supply w/6 Snap Mounting Block*	\$63.20
L-TRANS-MNT-BL-1	Extra 6-Snap Mounting Block	\$10.75

* Automatic reset (no fuses)

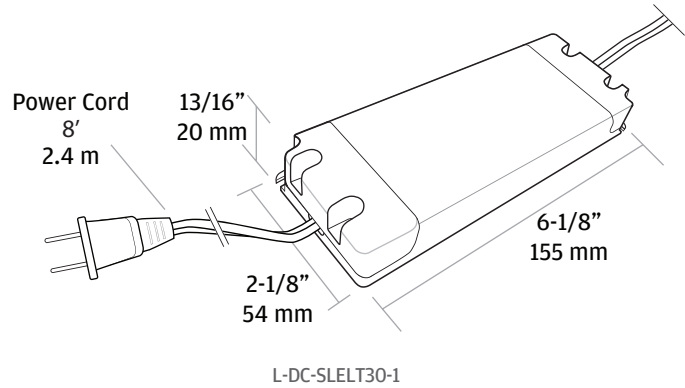
EU/UK plug ends available upon request.

All product dimensions and specifications are subject to change without prior notice.

NEW!

30W

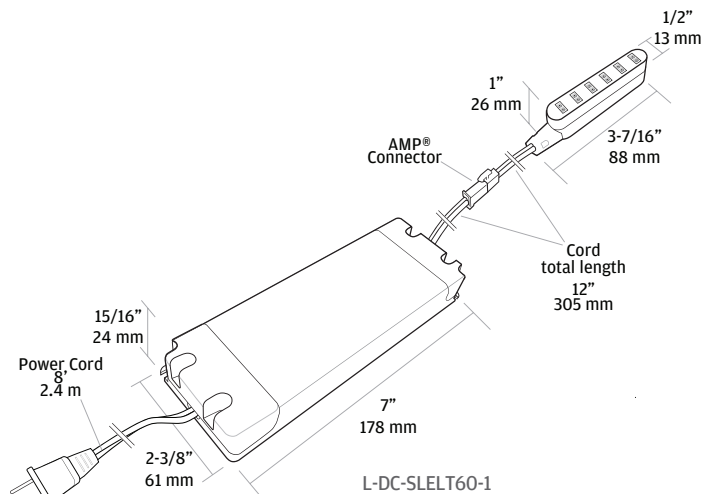
100V - 277V



NEW!

60W

100V - 277V



Features:



High power factor (Pf>.95)

Slim design, under 1" height

Short circuit protection*

12V DC output, constant voltage

Overcurrent protection

Overload protection*

RFI protection

Dimmable on trailing edge (12V side)

Class 2

* Automatic reset (no fuses)



✓ Compatible with all Tresco low voltage dimmers
 ✗ NOT compatible with hardwire wall dimmers

Part #	Description	SLP
L-DC-SLELT30-1	30W 12VDC Power Supply w/6 Snap Mounting Block*	\$84.15
L-DC-SLELT60-1	60W 12VDC Power Supply w/6 Snap Mounting Block*	\$109.00
L-TRANS-MNT-BL-1	Extra 6-Snap Mounting Block	\$10.75

EU/UK plug ends available upon request.

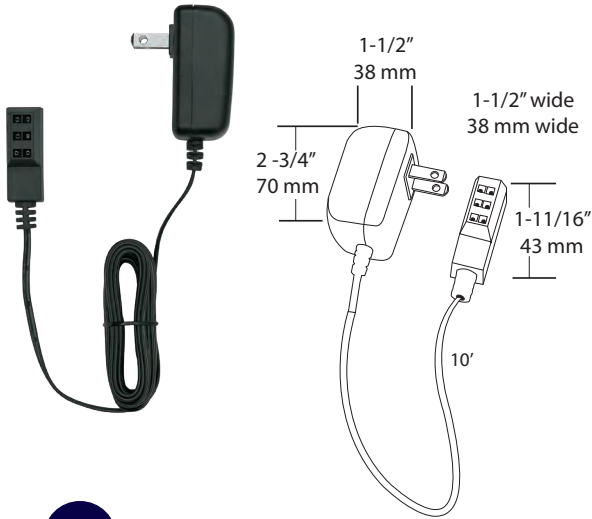


All product dimensions and specifications are subject to change without prior notice.

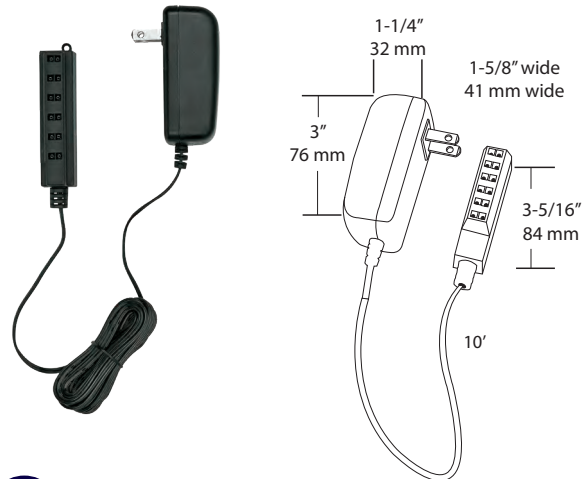
EquiLine Plug-in Power Supplies

- ✓ Compatible with all Tresco low voltage dimmers
- ⊘ NOT compatible with hardwire wall dimmers

6W



15W



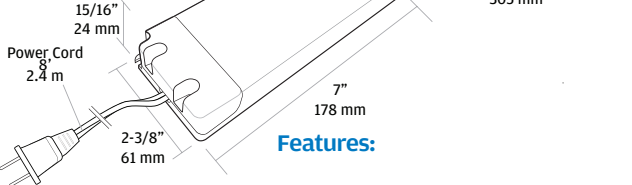
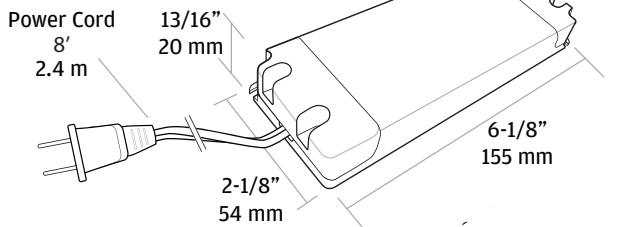
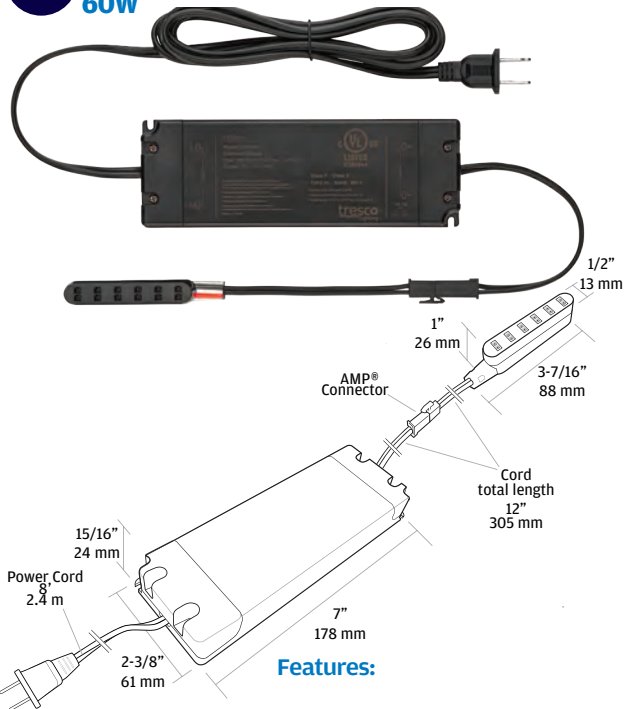
NEW!

30W



NEW!

60W



Class 2   

Features:

- Short circuit protection*
- 12V DC output, constant voltage
- Overload protection*
- Dimmable on trailing edge (12V side)
- Class 2
- 2-Year Warranty

Part #	Description	SLP
L-DC-ELT6WP-CON-1	6W 12VDC Wall Mount Power Supply w/3 Snap Block*	\$27.95
L-DC-ELT15WP-CON-1	15W 12VDC Wall Mount Power Supply w/6 Snap Block*	\$36.10
L-DC-EQ30-1	30W 12VDC Equiline Power Supply w/6 Snap Block*	\$58.70
L-DC-EQ60-1	60W 12VDC Equiline Power Supply w/6 Snap Block*	\$75.15
L-TRANS-MNT-BL-1	Extra 6-Snap Mounting Block	\$10.75

Commercial Wall Dimmable Hardwire Power Supplies

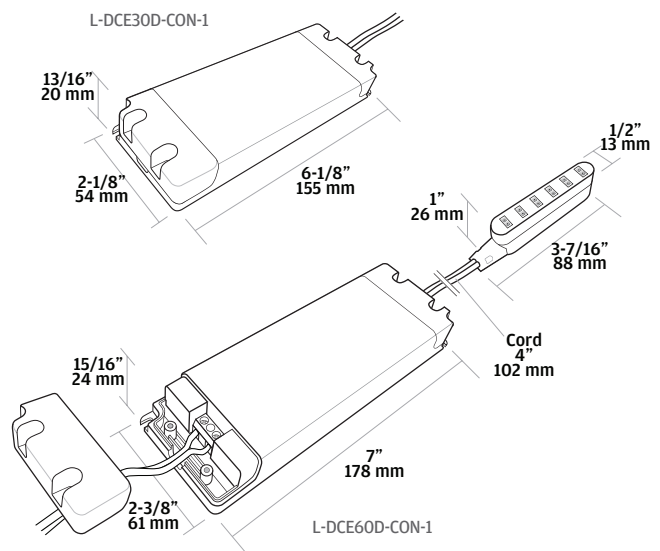
All product dimensions and specifications are subject to change without prior notice.

- NOT compatible with low voltage dimmers
- Compatible with hardwired LED wall dimmers



Features:

- Dimmable by standard LED wall dimmers (p. 453)
- Available in 30W, & 60W models
- Under 1" profile
- High power factor (Pf>.95)
- Continuous smooth dimming
- Wire directly into unit
- Electronic units are lower profile and generate less heat than magnetic transformers
- Quiet operation
- Works with all Tresco 12VDC dimmable LED fixtures*
- One 6-snap mounting block included
- Class 2 with short circuit and automatic reset



Part #	Description	SLP
L-DCE30D-CON-1	12VDC 30W Dimmable LED Power Supply	\$108.90
L-DCE60D-CON-1	12VDC 60W Dimmable LED Power Supply	\$172.90
L-TRANS-MNT-BL-1	Extra 6-Snap Mounting Block	\$10.75

Compatible Tresco Wall Dimmers (next spread).



Dimmable by LED compatible line voltage (120V) wall dimmers. Mounting block included. Requires electrician to install.

NEW!

Industrial Wall Dimmable Hardwire Power Supplies



60W (1x 60W output)

12VDC

180W (3x 60W output)



96W (1x 96W output)

24VDC

288W (3x 96W output)



Features:

Tough metal enclosure

Slim design, under 2" height

High power factor (Pf>.95)

Continuous smooth dimming

Hardwire compartment built-in unit

Short circuit protection*

Overcurrent protection

Overload protection*

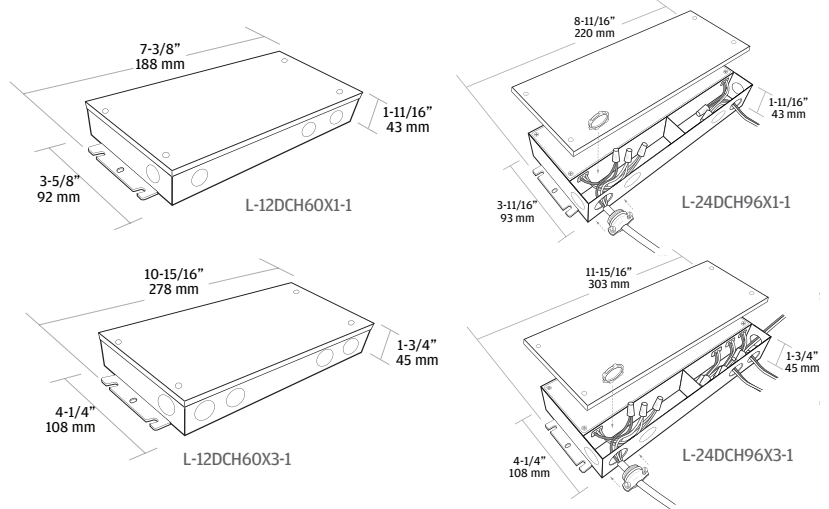
RFI protection

Class 2

* Automatic reset (no fuses)

NOT compatible with low voltage dimmers

✓ Compatible with hardwired LED wall dimmers



Part #	Description	SLP
L-12DCH60X1-1	12VDC 60W Commercial/Industrial Metal Hardwire Dimmable Power Supply	\$173.15
L-12DCH60X3-1	12VDC 180W Commercial/Industrial Metal Hardwire Dimmable Power Supply	\$380.70
L-24DCH96X1-1	24VDC 96W Commercial/Industrial Metal Hardwire Dimmable Power Supply	\$245.45
L-24DCH96X3-1	24VDC 288W Commercial/Industrial Metal Hardwire Dimmable Power Supply	\$485.20

Compatible Tresco Wall Dimmers (next page).



Does not include mounting block.



120V LED Wall Dimmers

**Lutron Diva® C•L™
Dimmer**



150W

**Lutron Skylark
Contour C•L™
Dimmer**



150W

Leviton 300W



300W

Lutron Diva® C•L™ Dimmer

Large paddle switch with a captive linear-slide dimmer for a standard designer wallplate opening

Preset dimmer

Offers more reliable dimming performance over standard dimmers

HED™ technology with advanced dimming circuitry designed for compatibility with most high-efficiency light bulbs

Low-end adjustment dial

Lutron Skylark Contour C•L™ Dimmer

On/off rocker switch with a captive linear-slide dimmer for a standard designer wallplate opening

Switch returns light to preset light level

Offers more reliable dimming performance over standard dimmers

HED™ technology with advanced dimming circuitry designed for compatibility with most high-efficiency light bulbs

Low-end adjustment dial

Leviton 300W

300W capacity

Large paddle switch with a captive linear-slide dimmer for a standard designer wallplate opening

Packaged with White, Ivory, and Light Almond color change kits

Switch returns light to preset light level

No neutral wire required for installation

Adjustment switch to modify the minimum light level in order to maximize the dimming range if flickering occurs at lower dimming levels

Part #	Description	SLP
L-DVCL-153P-WH-1	Lutron Diva® C•L™ Dimmer w/out plate	\$92.05
L-CTCL-153P-WH-1	Lutron Skylark Contour C•L™ Dimmer w/out plate	\$72.80
L-DSL06-1LZ-1	Leviton 300W Dimmer	\$74.70

**Compatible with Tresco 12VDC
Wall Dimmable Power
Supplies (previous pages)**

FREEDiM

WIRELESS CONTROL

Controllers

FREEDiM SERIES WIRELESS CONTROLLERS



FREEDiM Series Universal Receiver

Features:

- 60W Capacity
- Power failure memory
- Multiple receivers can be used on a single power supply or within a room to achieve multiple zones of control
- Install inline between power supply and lights.

Compatible with all four FREEDiM Series controllers



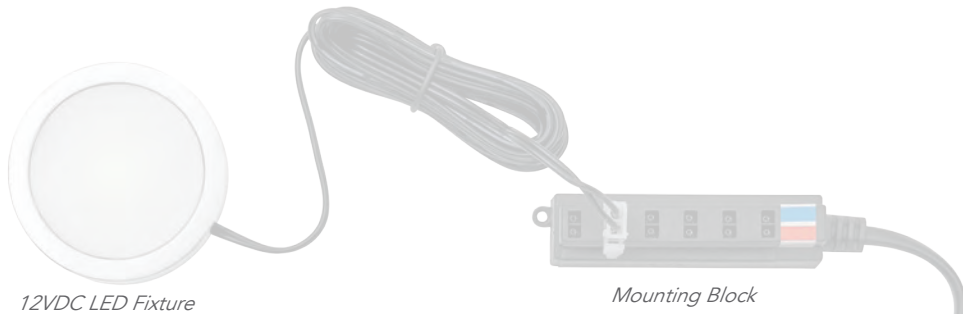
Deco Wall Dimmers (page 455)



Mirco Dimmers (page 456)

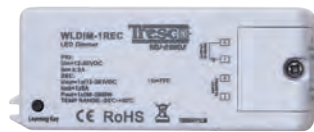


3 & 6 Zone Remotes (page 457)

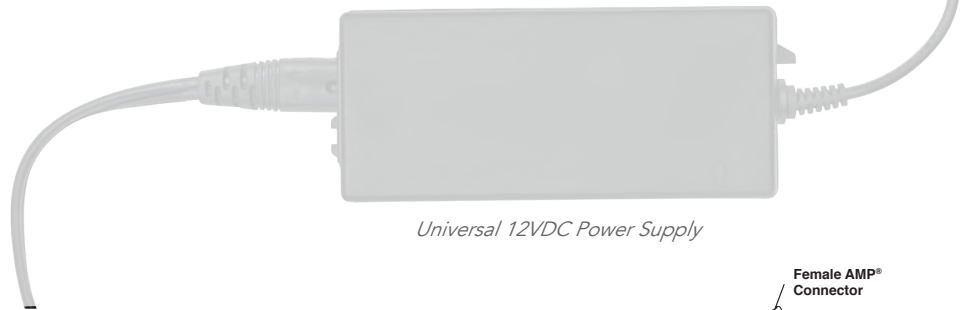


12VDC LED Fixture

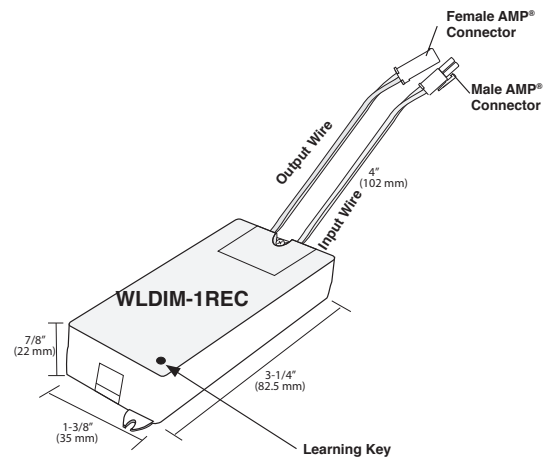
Mounting Block



Universal FREEDiM Series Receiver
L-WLD-1REC-1



Universal 12VDC Power Supply



Part #	Description	SLP
L-WLD-1REC-1	12VDC 60W Universal FREEDiM Series Receiver	\$85.90

A single receiver can be programmed to up to 8 different FREEDiM Series remotes/dimmers

For videos visit:
trescolighting.com/videos

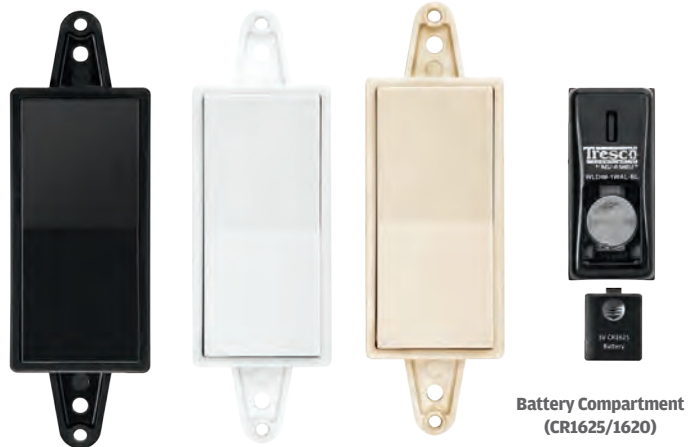
All product dimensions and specifications are subject to change without prior notice.

PATENT NO. 9,818,559 B2

FREEDiM Series Deco Wall Dimmer

Features:

- Available in single and 2-zone
- Can be programmed to multiple receivers for more lighting control
- Black, white, or light almond finish
- Fits Decora® style wall plates
- 65 ft. range of control from dimmer to receiver
- Controls all Tresco dimmable low voltage lights
- Unlike traditional hardwire dimmers, you can control the same set of lights from multiple Deco Wall Dimmers



Battery Compartment (CR1625/1620)



Easily remove switch from docking tray to replace batteries or use as a remote dimmer

Also available in 2-Zone:



Can be mounted to standard wall electrical boxes or to drywall

FREEDiM Series Deco Wall Dimmer - Single Zone

Part #	Description	SLP
L-WLD-1WAL-**-1	FREEDiM Series Deco Wall Dimmer	\$126.85

**Insert BL for Black, WH for White, LA for Light Almond

FREEDiM Series Deco Wall Dimmer -Two Zone

Part #	Description	SLP
L-WLD-2WAL-**-1	FREEDiM Series 2 Zone Deco Wall Dimmer	\$137.85

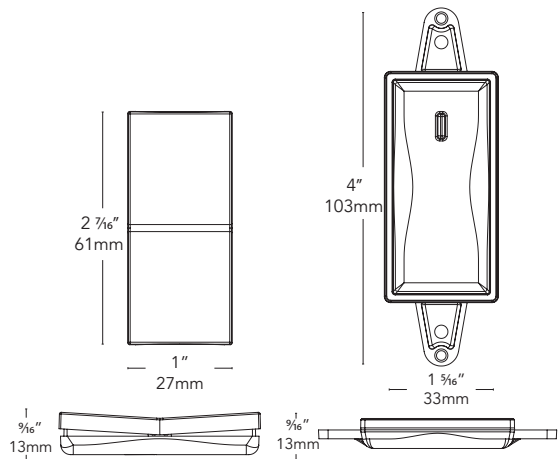
**Insert WH for White, LA for Light Almond

A single dimmer can be programmed to up to 10 different receivers.
Must have at least one receiver (WLD-1REC-1) to operate

Universal FREEDiM Series Receiver

Part #	Description	SLP
L-WLD-1REC-1	12VDC 60W Universal FREEDiM Series Receiver	\$85.90

A single receiver can be programmed to up to 8 different FREEDiM Series remotes/dimmers





FREEDiM SERIES WIRELESS CONTROLLERS

FREEDiM Series Micro Dimmer

Features:

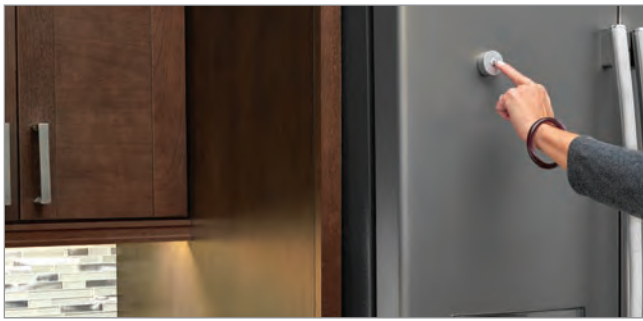
Single zone wireless dimmer

Black or nickel finish

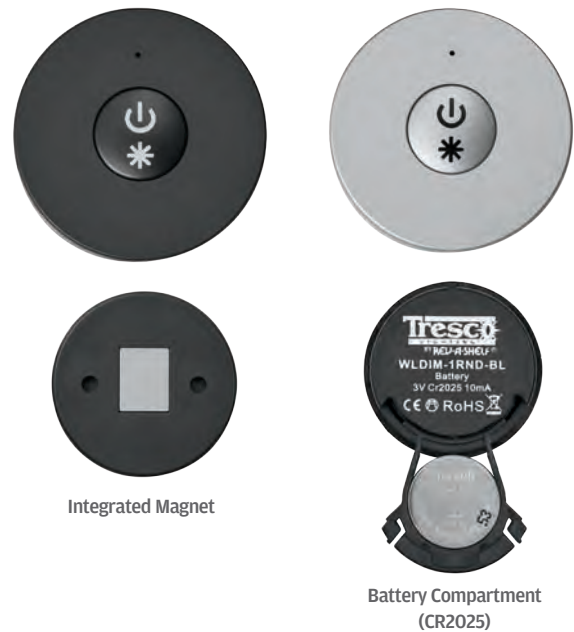
Easy to replace, long life lithium battery

65 ft. range of control from dimmer to receiver

Controls all Tresco dimmable low voltage lights



Integrated magnet allows for mounting to refrigerator or other metallic surfaces

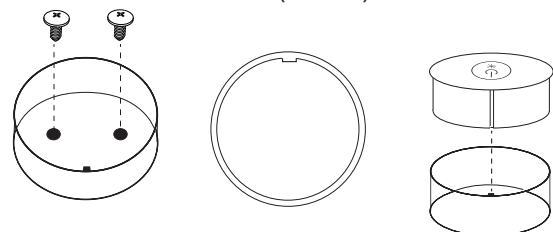
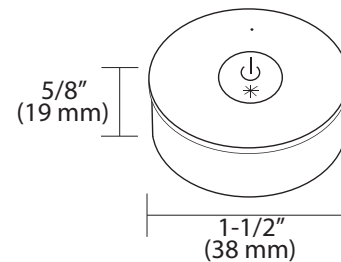


Integrated Magnet

Battery Compartment (CR2025)



Easy 2 screw installation



Part #	Description	SLP
L-WLD-1RND-BL-1	FREEDiM Series Micro Dimmer, Black	\$38.70
L-WLD-1RND-NI-1	FREEDiM Series Micro Dimmer, Nickel	\$38.70

A single dimmer can be programmed to up to 10 different receivers.
Must have at least one receiver (WLD-1REC-1) to operate

Universal FREEDiM Series Receiver

Part #	Description	SLP
L-WLD-1REC-1	Universal FREEDiM Series Receiver	\$85.90

A single receiver can be programmed to up to 8 different FREEDiM Series remotes/dimmers

All product dimensions and specifications are subject to change without prior notice.

FREEDiM Series 3 & 6 Zone Remotes

Features:

Independent control of 3 or 6 lighting zones (respectively) from single remote

Program additional receivers to separate the lighting in a room into multiple zones that you can control independently

Set brightness levels of all of the zones to a desired level then save as a "scene"

65 ft. range of control from remote to receiver

Controls all Tresco dimmable low voltage lights



Integrated magnet allows for mounting to refrigerator or other metallic surfaces



Docking tray can be screw mounted. Remotes attach to tray magnetically



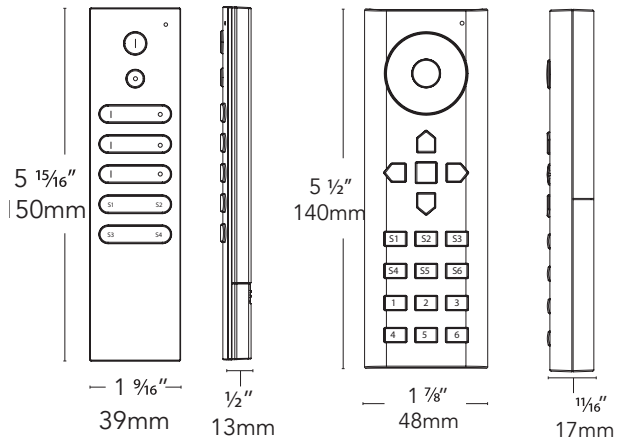
3-Zone
(CR2032)



6-Zone
(3 X AAA)

3-Zone

6-Zone



Part #	Description	SLP
L-WLD-3RMT-BL-1	FREEDiM Series 3-Zone remote, Black	\$65.35
L-WLD-6RMT-BL-1	FREEDiM Series 6-Zone Remote, Black	\$116.45

6-Zone batteries not included
Must have at least one receiver (WLD-1REC-1) to operate

Universal FREEDiM Series Receiver

Part #	Description	SLP
L-WLD-1REC-1	Universal FREEDiM Series Receiver	\$85.90

A single receiver can be programmed to up to 8 different FREEDiM Series remotes/dimmers



NEW!

WIRELESS DOOR SENSOR RECEIVER

Features:

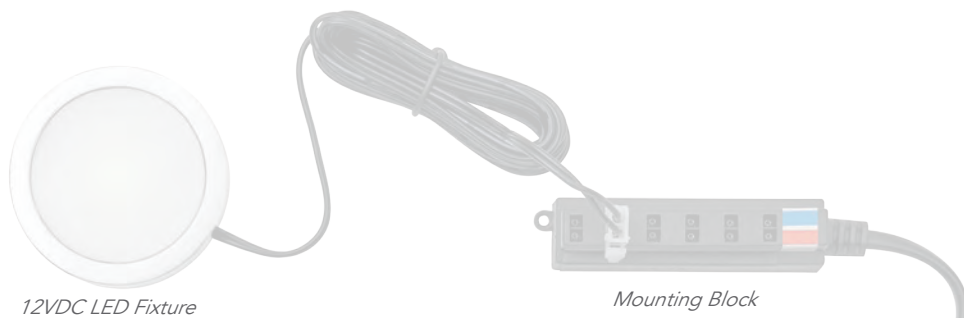
60W capacity (12V); 96W capacity (24V)

Power failure memory

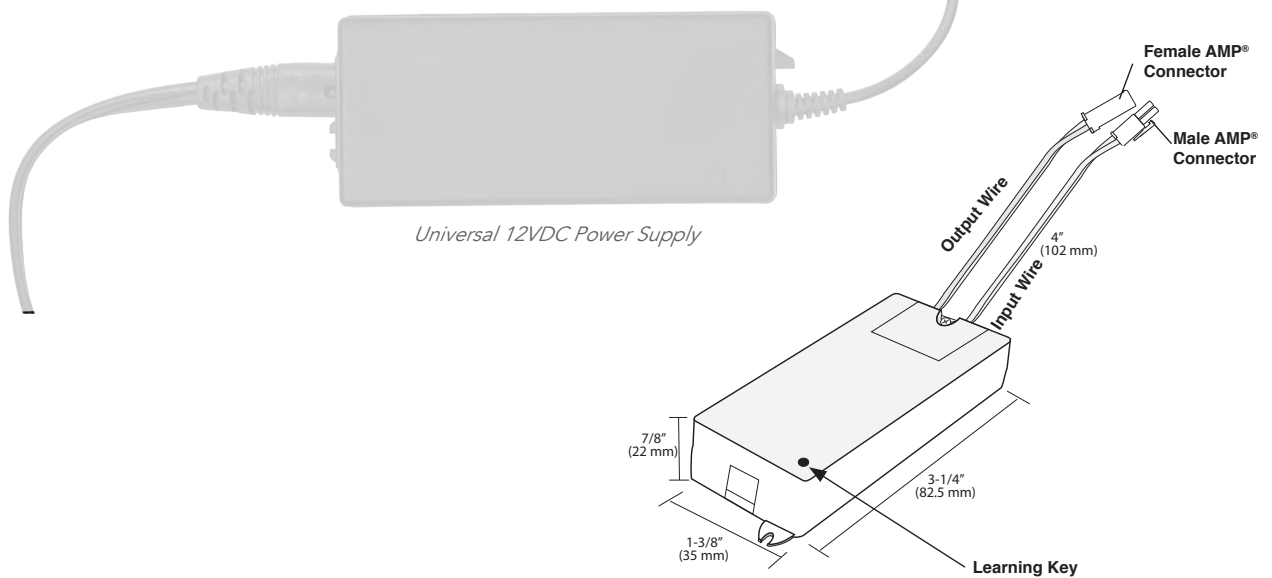
Install inline between power supply and lights

Simple pairing with Wireless Door Sensors

Single receiver can be programmed to up to 4 sensors



Wireless Door Sensor Receiver
L-WLDSREC-1



Part #	Description	SLP
L-WLDSREC-1	Wireless Door Sensor Receiver	\$85.90

NEW!

WIRELESS DOOR SENSOR

Features:

Simple push-button pairing with Receiver

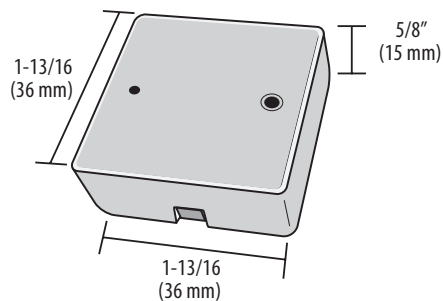
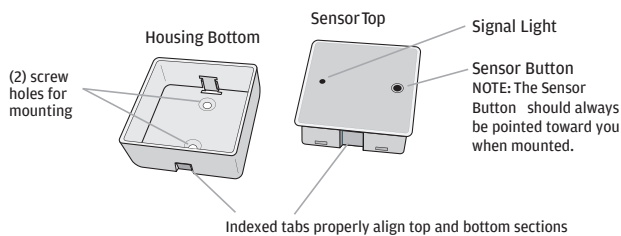
No cumbersome, messy wires to have to hide inside your cabinetry

Activated by magnet; simply adhere to inside of cabinet door with included double-stick adhesive

Long lasting CR2025 battery



Quick install, mounted with included screws or double-stick adhesive to the cabinet frame



Part #	Description	SLP
L-WLDS-NI-1	Nickel Wireless Door Sensor	\$61.05
L-WLDS-BL-1	Black Wireless Door Sensor	\$61.05

12VDC Oval Controllers

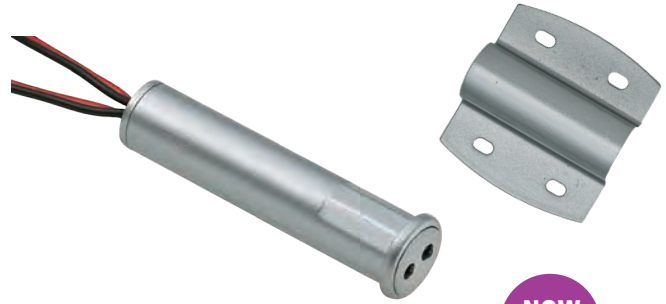


Proximity Controller

Swipe hand across to turn on/off

Max wattage: 60W
 Sensor range: 2" (50 mm)
 Cable input: 79" (2 m)
 Cable output: 6" (152 mm)
 Finish: Nickel/Black

**NOW
60W**



Door Sensor Controller

Door open, light on; door closed, light off

Max wattage: 60W
 Sensor range: 1/4" - 2" (6 mm - 50 mm)
 Cable input: 79" (2 m)
 Cable output: 6" (152 mm)
 Finish: Nickel/Black

**NOW
60W**



Motion Controller

Turns on when human motion is detected

Max wattage: 60W
 Sensor range: 0-5' (1500 mm)
 Viewing degree: 100°
 Time on: 30 secs if no motion
 Cable input: 79" (2 m)
 Cable output: 6" (152 mm)
 Finish: Nickel/Black

**NOW
60W**



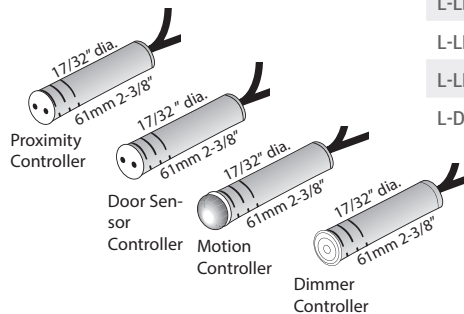
Dimmer Controller

Touch on/off and 0-100% dimming control

Max wattage: 60W
 Cable input: 79" (2 m)
 Cable output: 6" (152 mm)
 Finish: Nickel/Black
 * Hold finger down for dimming

**NOW
60W**

Part #	Description	SLP
L-LED-OVLTD-**	60W 12VDC Oval Recess/Surface Mnt. Touch Dimmer	\$40.70
L-LED-OVLDS-**	60W 12VDC Oval Recess/Surface Mnt. Door Sensor	\$39.05
L-LED-OVLMS-**	60W 12VDC Oval Recess/Surface Mnt. Motion Sensor	\$43.45
L-LED-OVLPS-**	60W 12VDC Oval Recess/Surface Mnt. Proximity Sensor	\$46.50
L-DB1732-1	17/32" (13.5 mm) Drill Bit for Recess Mount	\$42.15

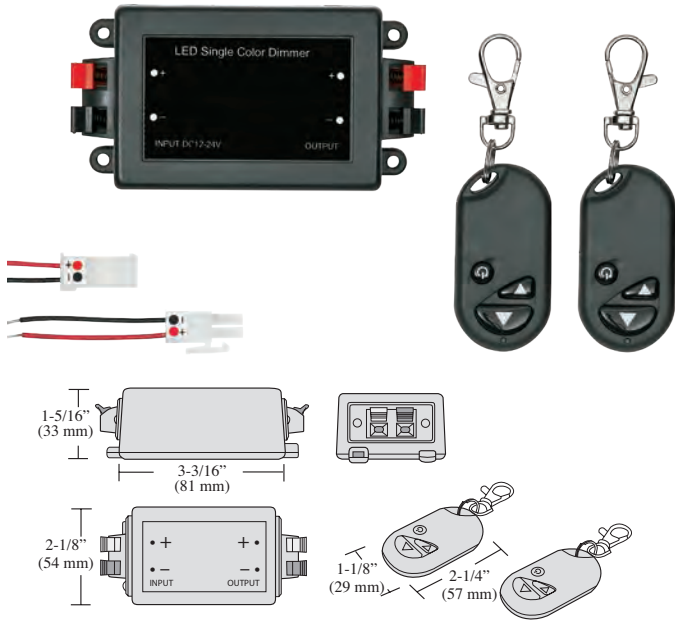


**Available in Black (BL) and Nickel (NI)
 Surface mount plate packaged with each controller.

All product dimensions and specifications are subject to change without prior notice.

12VDC Remote Control Dimmers

Remote Control LED Dimmers feature radio-frequency, remote-control dimming to adjust lights from anywhere in the room up to 30' (9 m). The remote control provides on/off power and dims lights from 100%-1%.



Universal Remote Dimmer

- Controls up to 5A/60W of LED lighting
- Features a built-in memory that recalls the last setting when turned on
- Comes with two remote controls (one as a backup)
- No line of sight required
- Can control multiple dimmers in same room with single remote control for universal dimming

Dedicated Remote Control Dimmer

- Controls up to 5A/60W of LED lighting
- Features a built-in memory that recalls the last setting when turned on
- No line of sight required
- Comes with two remote controls (one extra, as a backup) that are synchronized to control the same dimmer
- Can use multiple independently controlled dimmer in the same room

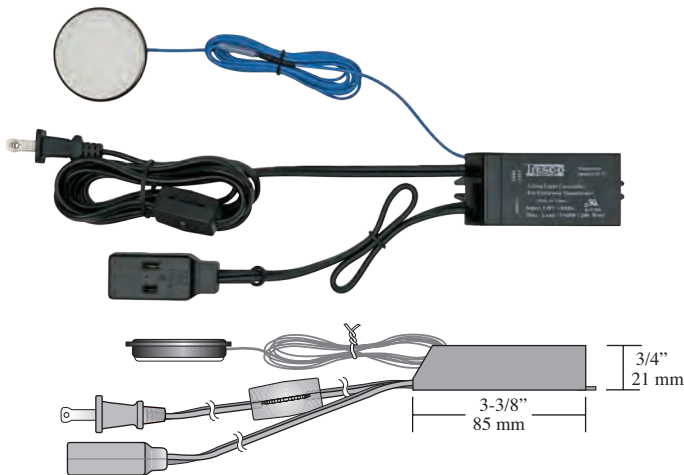
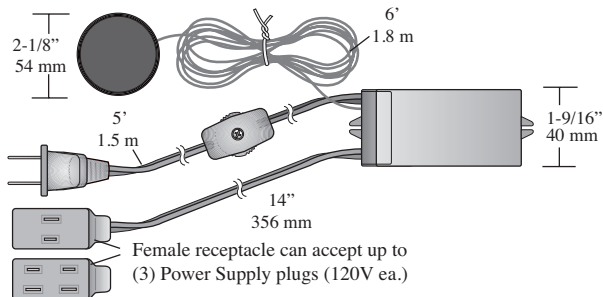
Part #	Description	SLP
L-LED-DIMRMT-12V8A-1	LED Dedicated Remote Control Dimmer, 12VDC 96W	\$63.90
L-LED-DIMRMT-12V8A-U-1*	LED Universal Remote Control Dimmer, 12VDC 96W	\$63.90

***Recommended not to exceed 3 per room**

Placement of multiple dimmers in a room may be critical for proper function depending on set-up and obstacles.

Both models of the Remote Control LED Dimmer provide on/off power and dim lights from 100%-1%. The dedicated remote control independently controls one specific dimmer in a room. The Universal Remote Control (U) controls multiple dimmers in a room.

Touch On/Off Switch



Part #	Description	SLP
L-TS2-72-1	Touch On/Off w/Cord And Touch Pad. Black, 200W	\$41.80

Controls 12V Plug-in Power Supplies

On/off switch touch pad attaches to surface with adhesive backing. Power supply plugs into on/off switch.

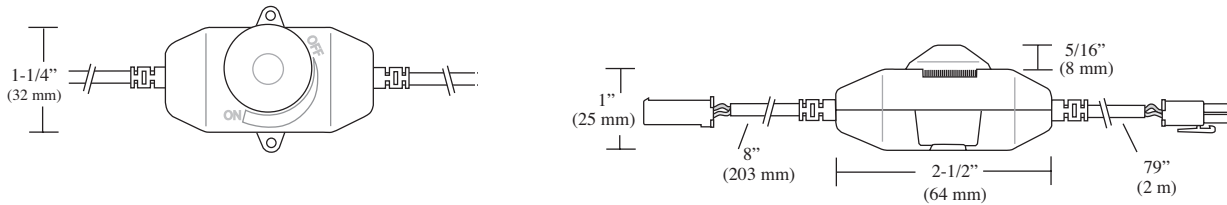
12VDC Manual In-Line Rotary Dimmer

Features:

- 4A /48W capacity
- 100-0% dimming and on/off power
- 79" (2 m) input lead snaps into power supply mounting block with male AMP® connector
- 8" (203 mm) output connects to run of light with female AMP® connector



Part #	Description	SLP
L-LED-DIMCON-BL-1	LED Black Inline Rotary Dimmer, 12VDC 48W	\$40.00
L-LED-DIMCON-WH-1	LED White Inline Rotary Dimmer, 12VDC 48W	\$40.00



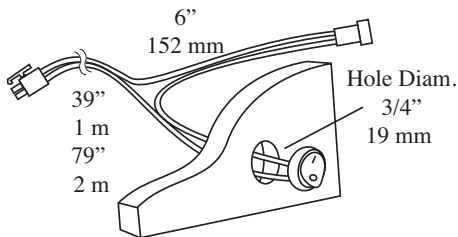
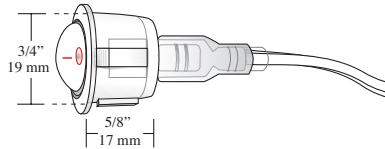
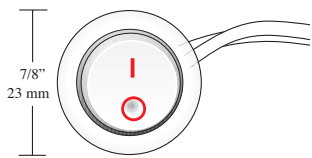
Round Switch - 12V



Front View



Available in White & Black

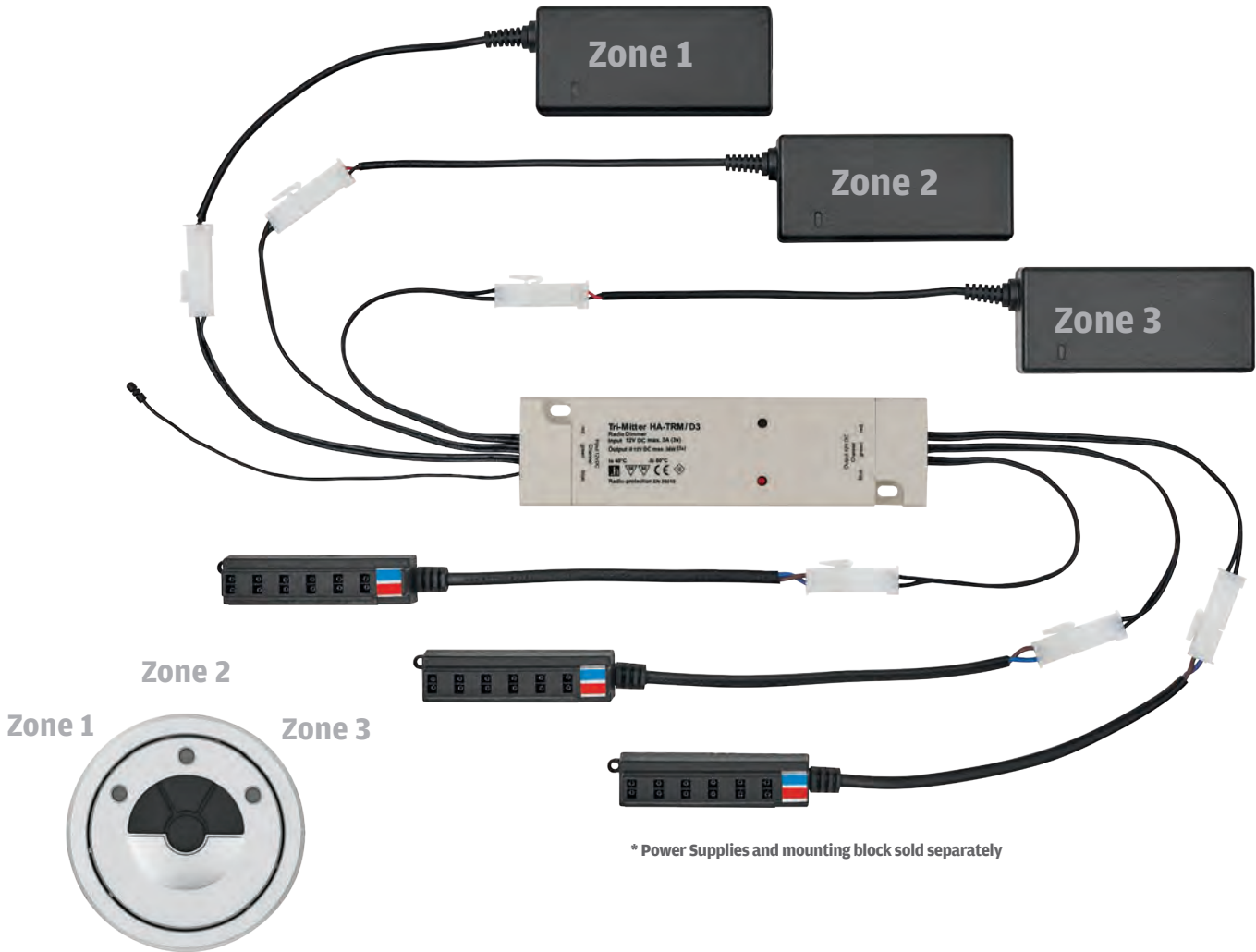


Part #	Description	SLP
L-RDSW-1M-BL-1	Black Rocker Switch w/ 39" (1 m) Lead, 12VAC/DC	\$16.35
L-RDSW-1M-WH-1	White Rocker Switch w/ 39" (1 m) Lead, 12VAC/DC	\$16.35
L-RDSW-2M-BL-1	Black Rocker Switch w/ 79" (2 m) Lead, 12VAC/DC	\$18.70
L-RDSW-2M-WH-1	White Rocker Switch w/ 79" (2 m) Lead, 12VAC/DC	\$18.70

3/4" (19 mm) hole required.

All product dimensions and specifications are subject to change without prior notice.

12VDC Wireless Tri-Mitter



* Power Supplies and mounting block sold separately

Features:

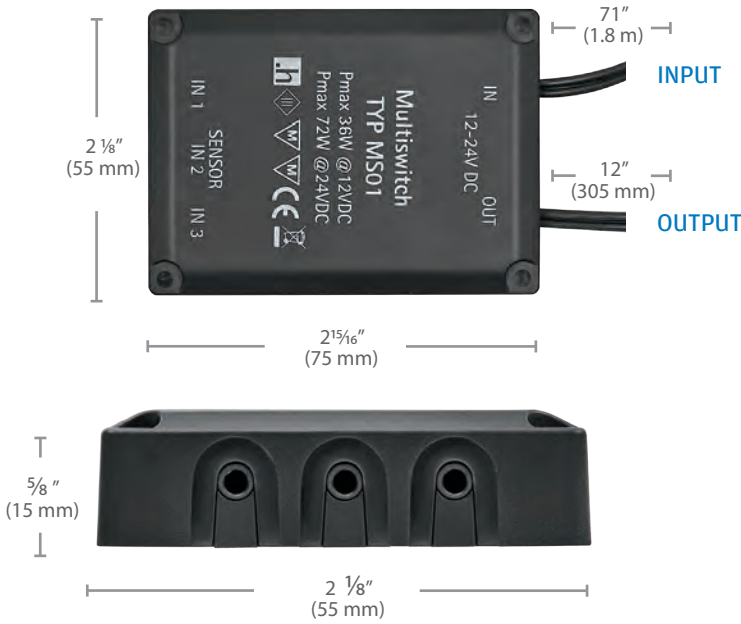
- Wireless switching or dimming of up to 3 independent 12 volt circuits (zones)
- Max. 36W load capacity per zone
- Controller uses 3V CR2032 battery
- 65' (20 m) range of control from controller to receiver
- Touch for on/off control; hold down to cycle dimming 1-100%
- Low profile recessed installation
- A single receiver can be programmed to up to 9 controllers



Hole size 1 3/4" (44 mm) in diameter, 1/2" (13 mm) depth

Part #	Description	SLP
L-HTRISSET-1	12VDC Tri-Mitter Set (Wireless Controller + Receiver)	\$107.10
L-HTRICON-NI-1	12VDC Tri-Mitter Controller Nickel (Wireless Controller Only)	\$32.05

12VDC MultiSwitch Station



Features:

Connect up to 3 sensors of the same style to universally control run of lights

Max. 36W load capacity

Soft start on/off function

Part #	Description	SLP
L-HMSMCU-BL-1	12VDC MultiSwitch Station	\$29.25

Dimmer Controller

Multiswitch station required for operation

Features:

Push button with dimming function

Low profile recessed installation

Touch for on/off control; hold down to cycle dimming 1-100%

Finish: Nickel/Black

Adjustable settings allow for simple on/off operation or dimming + on/off

Hole size 1/2 in (13 mm) in diameter,
1in (25mm) depth



Part #	Description	SLP
L-HMSTD-NI-1	12VDC MultiSwitch Touch Dimmer, Nickel	\$28.50
L-HMSTD-BL-1	12VDC MultiSwitch Touch Dimmer, Black	\$28.50

All product dimensions and specifications are subject to change without prior notice.

Motion Controller 36W

Multiswitch station required for operation

Features:

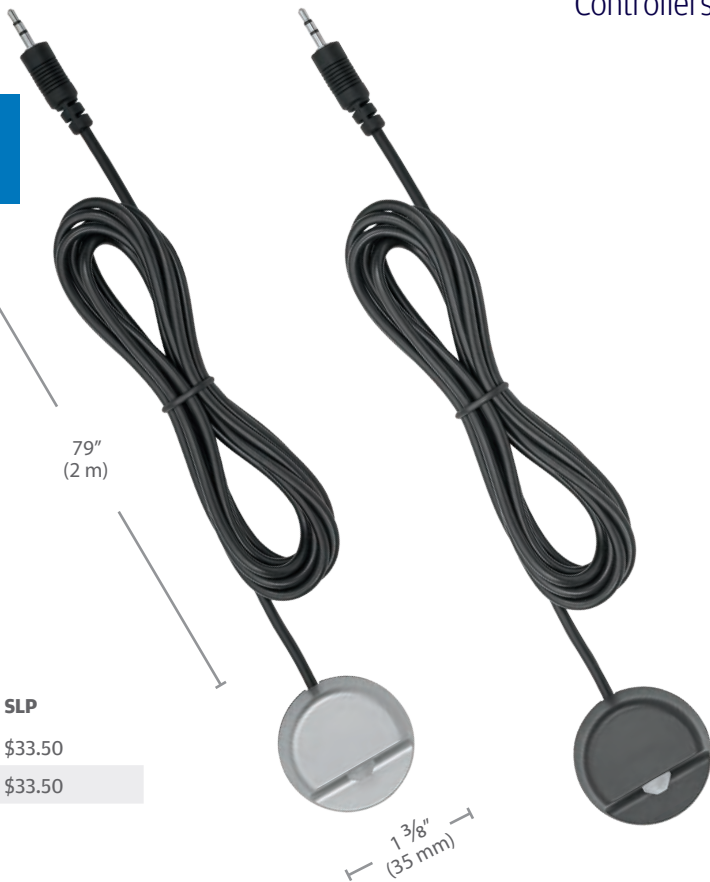
Energy saving PIR motion sensor

Viewing degree: 100°

Time on: 10 seconds if no motion

Sensor Range: 0-6.5' (2 m)

Finish: Nickel/Black



Part #	Description	SLP
L-HMSMS-NI-1	12VDC MultiSwitch Motion Sensor, Nickel	\$33.50
L-HMSMS-BL-1	12VDC MultiSwitch Motion Sensor, Black	\$33.50

Door/Proximity Controller 36W

Multiswitch station required for operation

Features:

Adjustable settings allow for switch to function as door sensor or proximity controller (hand swipe on/off)

Hand Sensor Range: 0.2-2.0" (5-50 mm)

Door Sensor Range: 0.2-4.7" (5-119 mm) (Reflection Foil included)

Energy saving auto shut-off turns lights off after 3 minutes when in door sensor mode

Finish: Nickel/Black



Adjustable Settings Switch



Part #	Description	SLP
L-HMSHDS-NI-1	12VDC MultiSwitch Door/Proximity Sensor, Nickel	\$28.50
L-HMSHDS-BL-1	12VDC MultiSwitch Door/Proximity Sensor, Black	\$28.50

All product dimensions and specifications are subject to change without prior notice.

12VDC Dual USB Charging Station



Interchangeable face plates

Features:

- USB charging station that ties into the universal 12VDC Tresco system
- 79" starter cord attached (connects to any Tresco 12VDC power supply)
- Low profile recessed installation
- Max. load capacity = 1 port x 2.1 Amp or 2 ports x 1.05 Amp
- Two interchangeable face plates included (Black and Nickel)
- Draws 10W at max capacity while charging. Has auto shut-off

Part #	Description	SLP
L-HUSB2-BLNI-1	12VDC Dual USB Charging Station	\$35.75

1-7/64" (28 mm) hole required.

Install Accessories

Wire Channel



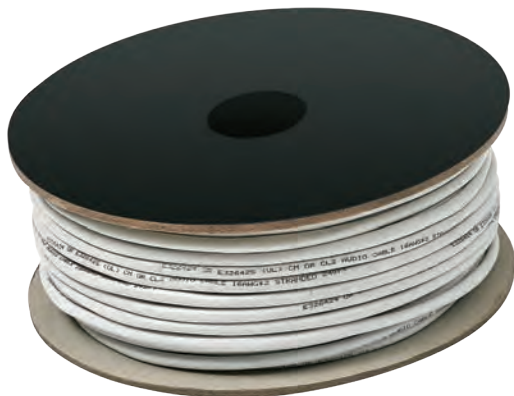
Features:

- Plastic channel for wire management
- Available in 3 finishes (black, brown, white)
- Fits all Tresco wires
- Sold in 5' (1.5 m) lengths
- Easily cut to size in the field
- Durable adhesive mounting

Part #	Description	SLP
L-WM5-BL-1	5' (1.5 m) Wire Management Channel Black	\$11.70
L-WM5-BR-1	5' (1.5 m) Wire Management Channel Brown	\$11.70
L-WM5-WH-1	5' (1.5 m) Wire Management Channel White	\$11.70

12V Class 2 Wire and DIY Connectors

Part #	Description	SLP
L-16CL2-WH50-1	50' (15 m) Roll 16 AWG 12V Class 2 Wire White	\$69.95
L-LED-WCON-WH-1	12V DIY Barrel Connectors White (1 bag of 10)	\$45.55
L-LED-WCON-BL-1	12V DIY Barrel Connectors Black (1 bag of 10)	\$45.55



See Sales Support section (page 485) for instructions on how to use Class 2 wire with Barrel Connectors.

Wire rated for low-voltage in-wall use



AMP® Connector and Extractor



Part #	Description	SLP
L-PINEXT-1	AMP Connector Extraction Tool	\$37.40
L-MALE-AMP-10-1	AMP® Connector for Light Fixture (box of 10)	\$10.20

Pin Extractor safely removes AMP® Connectors.

VHB Tape



Part #	Description	SLP
L-VHBTPE-1134-1	7/16" (11 mm) x 111-1/2' (34 m) VHB Adhesive Tape Roll	\$93.25

Automotive grade VHB tape can be used to mount all fixtures or as a base layer for mounting Tape LED products.

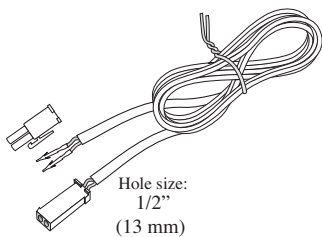
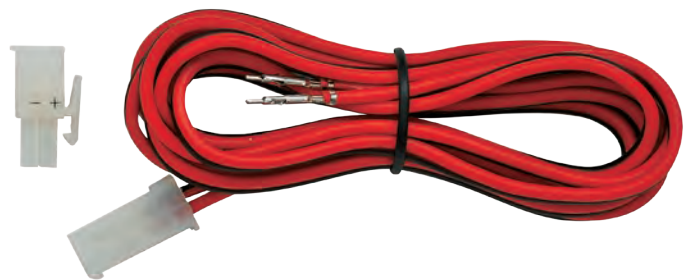
Starter/Extension Cord

Features:

Low-voltage wire

Used to extend the starter leads for any Tresco 12VDC lights

8 lengths to choose from



Hole size:
1/2"
(13 mm)

Part #	Description	SLP
L-LED-LINKD-8-1	3" (8 cm) 12VDC Starter/Link/Extension Cord	\$3.30
L-LED-LINKD-15-1	6" (15 cm) 12VDC Starter/Link/Extension Cord	\$4.00
L-LED-LINKD-25-1	10" (25 cm) 12VDC Starter/Link/Extension Cord	\$5.80
L-LED-LINKD-60-1	24" (60 cm) 12VDC Starter/Link/Extension Cord	\$6.65
L-LED-LINKD-120-1	48" (120cm) 12VDC Starter/Link/Extension Cord	\$8.15
L-LED-LINKD-180-1	72" (180cm) 12VDC Starter/Link/Extension Cord	\$9.95
L-LED-LINKD-245-1	96" (245 cm) 12VDC Starter/Link/Extension Cord	\$11.95

1/2" (13 mm) hole required.

Tools of the Trade Starter Kit



Starter Kit Includes:

2 mount blocks	Mini flathead screwdriver	1 drill bit
50' (15 m) roll of class 2 wire	AMP extractor	VHB tape
10 AMP [®] connectors	10 barrel connectors	15" (381 mm) canvas bag
Phillips screwdriver	10 wire management clips	

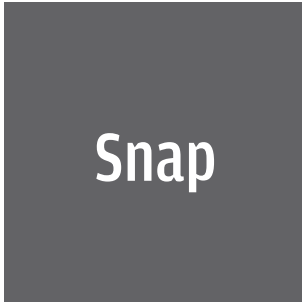


Starter Kit:

Part #	Description	SLP
L-TOOLKIT-1	Tools of the Trade Tool Bag Starter Kit	\$253.15

Replacement Items:

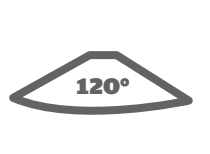
Part #	Description	SLP
L-16CL2-WH50-1	50' (15 m) Roll 16 AWG 12V Class 2 Wire White	\$69.95
L-TRANS-MNT-BL-1	Extra 6-Snap Mounting Block	\$10.75
L-MALE-AMP-10-1	AMP [®] Connector for Light Fixture (1 bag of 10)	\$10.20
L-WCLP-WH-1	Wire Management Adhesive Clips White (1 bag of 10)	\$8.75
L-LED-WCON-WH-1	12V DIY Barrel Connectors White (1 bag of 10)	\$45.55
L-LED-WCON-BL-1	12V DIY Barrel Connectors Black (1 bag of 10)	\$45.55
L-DB1732-1	17/32" (13.4 mm) Drill Bit	\$42.15
L-PISCRWDR-1	#1 Phillips Screwdriver	\$8.50
L-MFSCRWDR-1	Mini Flathead Screwdriver	\$3.55
L-PINEXT-1	AMP Connector Extraction Tool	\$37.40
L-VHBTPPE-1134-1	7/16" (11 mm) x 111-1/2' (34 m) VHB Adhesive Tape Roll	\$93.25



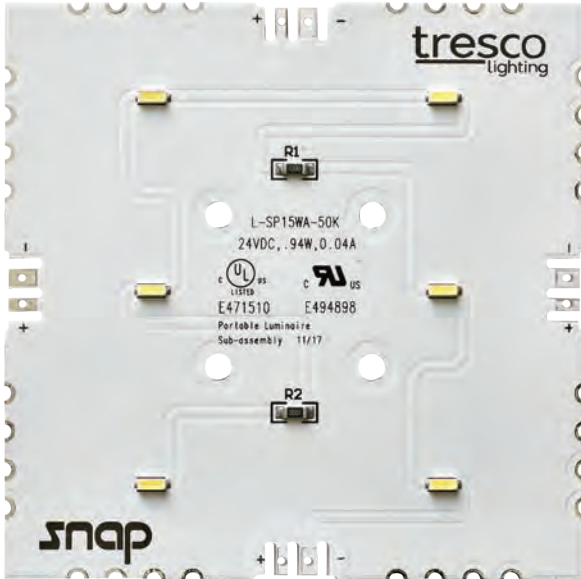
24V DC

Standard:
8W/ft²
High:
15W/ft²

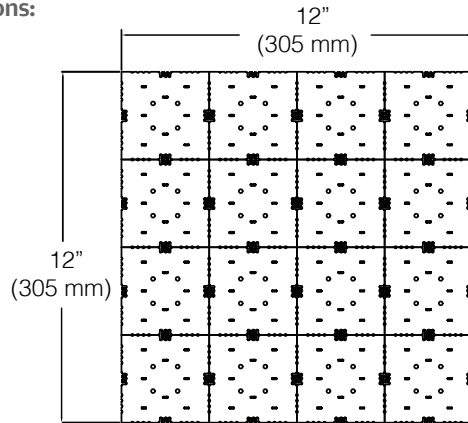
Standard:
900 Lumens
High:
1670 Lumens



Customized lighting solutions are just a “snap” away with the Snap Panels. Sold in 12” x 12” squares, the razor-thin panels can be snapped down to 3” x 3” squares and connected back into any configuration, creating the perfect solution with complete light uniformity.



Dimensions:

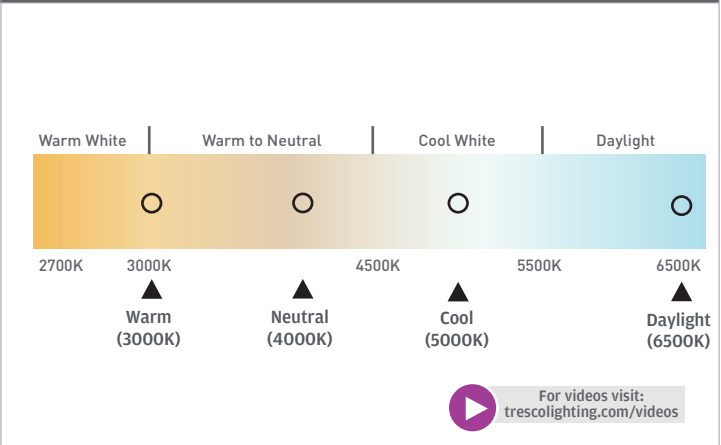
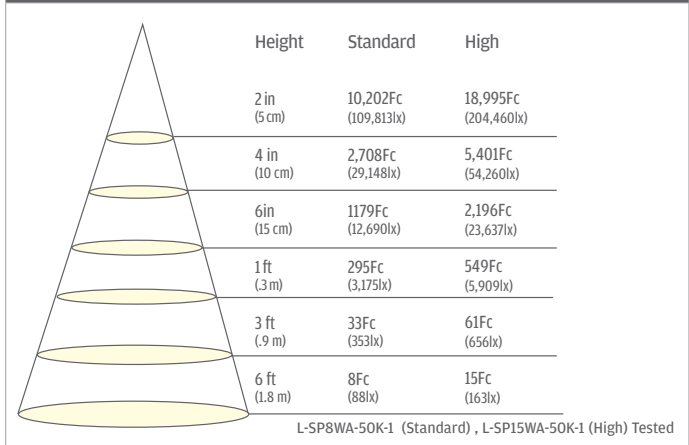


Specifications:



	Wattage	Lumens	Efficacy (lm/W)	Input Voltage	Diode Life	Max Per 60W Power Supply	Mounting	Warranty	Beam Angle
Standard	8W/ft ² (.5W per 3” square)	900	112	24V DC	50,000 Hours	N/A	Surface	5 Year	
High	15W/ft ² (.94W per 3” square)	1670	111						

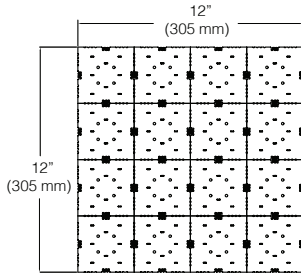
Photometric Data | Color Temperature



Snap

- Required
- Optional

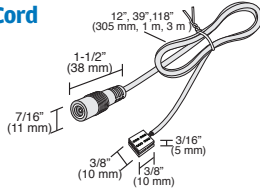
Light Panel



Part #	Description	SLP
L-SP8WA-30K-1	24VDC 8W 12" (305 mm) Square Snap Panel 3000K	\$122.35
L-SP8WA-40K-1	24VDC 8W 12" (305 mm) Square Snap Panel 4000K	\$122.35
L-SP8WA-50K-1	24VDC 8W 12" (305 mm) Square Snap Panel 5000K	\$122.35
L-SP8WA-65K-1	24VDC 8W 12" (305 mm) Square Snap Panel 6500K	\$122.35
L-SP15WA-30K-1	24VDC 15W 12" (305 mm) Square Snap Panel 3000K	\$122.35
L-SP15WA-40K-1	24VDC 15W 12" (305 mm) Square Snap Panel 4000K	\$122.35
L-SP15WA-50K-1	24VDC 15W 12" (305 mm) Square Snap Panel 5000K	\$122.35
L-SP15WA-65K-1	24VDC 15W 12" (305 mm) Square Snap Panel 6500K	\$122.35

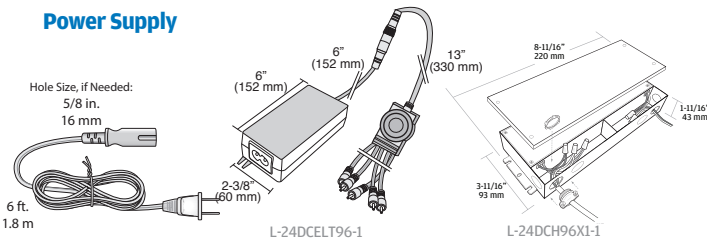
Mounting clips and screws included. Starter cords sold separately.

Starter Cord



Part #	Description	SLP
L-SPPKT-305MM-1	305 mm (12") Snap Panel Starter Lead	\$5.35
L-SPPKT-1M-1	1 m (39") Snap Panel Starter Lead	\$7.70
L-SPPKT-3M-1	3 m (118") Snap Panel Starter Lead	\$15.50

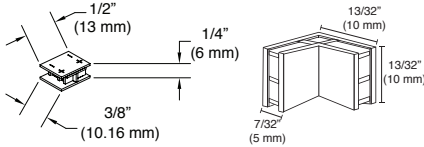
Power Supply



Part #	Description	SLP
L-24DCELT96-1	96W 24VDC Power Supply w/ 5 Barrel Out	\$160.85
L-1BRL5-1	Extra 5 Output Barrel Splice	\$15.75
L-24DCH96X1-1	96W 24VDC Dimmable Hardwire Power Supply*	\$245.45
L-24DCH96X3-1	288W 24VDC Dimmable Hardwire Power Supply*	\$485.20

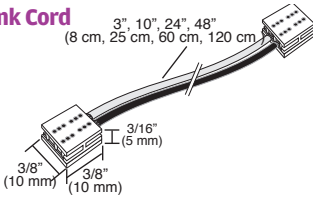
*Does not come with 5 Output Barrel Splice

Connectors



Part #	Description	SLP
L-SPBTB10-1	Snap Panel Back-to-Back Links (10PCS)	\$8.40
L-SP90BTB4-1	Snap Panel 90° Back-to-Back Link (4PCS)	\$14.65

Snap Link Cord



Part #	Description	SLP
L-SPLNK8-1	8 cm (3") Snap Panel Link Cord	\$2.60
L-SPLNK25-1	25 cm (10") Snap Panel Link Cord	\$5.55
L-SPLNK60-1	60 cm (24") Snap Panel Link Cord	\$9.10
L-SPLNK120-1	120 cm (48") Snap Panel Link Cord	\$15.15

24V Adaptors



Part #	Description	SLP
L-24VDC3INADP-WH-1	12V to 24V Controller Adaptor Cord Set White	\$7.95
L-24VDC3INADP-BL-1	12V to 24V Controller Adaptor Cord Set Black	\$7.95

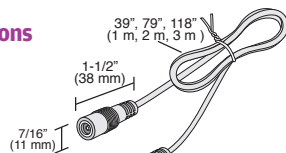
Adaptors are used with dimmers and controllers to connect Snap to the traditional Tresco AMP® connection system.

Curtain Connectors



Part #	Description	SLP
L-SP3TCS-1	Three Way Curtain Starter Lead	\$27.80
L-SP6TCS-1	Six Way Curtain Starter Lead	\$50.80

Extensions



Part #	Description	SLP
L-SPEXT-1M-1	1 m (39") Snap Panel Starter Extension	\$7.70
L-SPEXT-2M-1	2 m (79") Snap Panel Starter Extension	\$11.35
L-SPEXT-3M-1	3 m (118") Snap Panel Starter Extension	\$15.50

120V

Pockit® 120-L

3W

118 Lumens

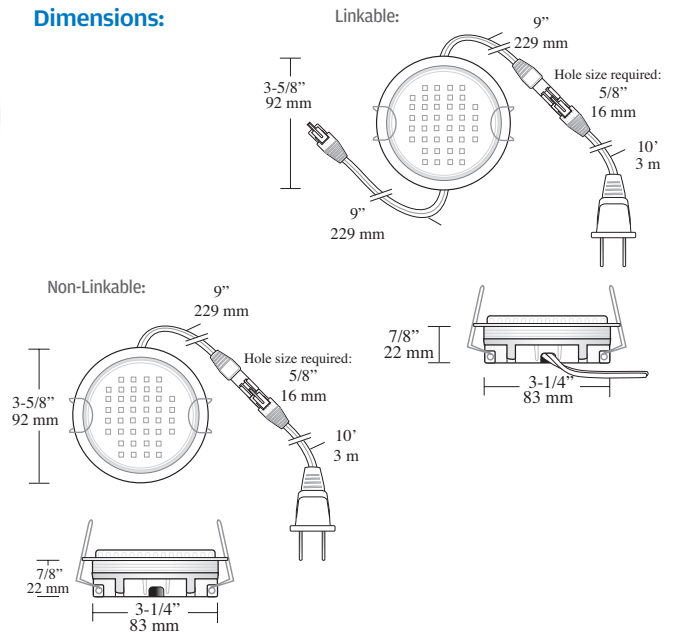


The Tresco Pockit® 120-L is a true plug-and-play lighting solution. It allows for easy “jumping” over and around obstacles without the need for an electrician and can be recessed or surface mounted to accommodate your design and decor.

You can easily retrofit existing fluorescent display lights with the Pockit® 120-L, to provide striking, high illumination at a fraction of the energy costs and heat generated by traditional lights.



Dimensions:



Available Finishes:



Specifications:

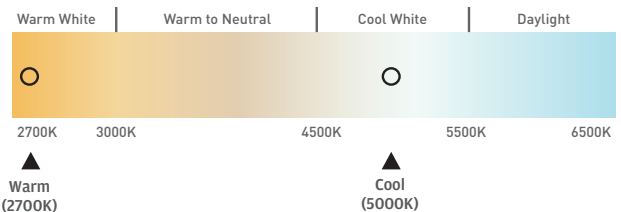


Wattage	Lumens	Efficacy (lm/W)	Input Voltage	Diode Life	Max Continuous Run	Mounting	Warranty	Beam Angle
3W	118	39	120V	25,000 Hours	10 Fixtures	Recess/Surface	1 Year	100°

Photometric Data

Color Temperature

Height	Light Output	Beam Area
1ft (3 m)	48.50Fc (52lx)	2.2ft L x 2.2ft W (.67 m L x .67 m W)
3ft (.9 m)	5.39Fc (58lx)	6.6ft L x 6.6ft W (2 m L x 2 m W)
6ft (1.8 m)	1.35Fc (14.5lx)	13.3ft L x 13.2ft W (4.1 m L x 4 m W)



L-LPOC-3W-120L-C Tested

Pocket® 120-M


120V



Available Finishes:

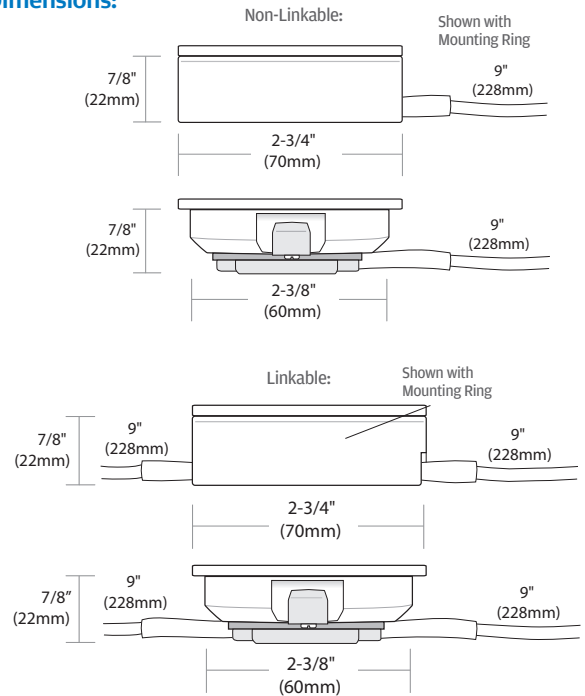


White (WH) Black (BL) Nickel (NI)

4W	270 Lumens	
<p>The Pocket® 120-M is a continuation of our popular Pocket® 120 linkable series. The smaller size rivals standard “puck” style light fixtures but produces 25 percent more light output than traditional halogen and xenon puck lights. Each fixture has a built-in dimmable driver and the commercial grade, all-metal construction provides optimal heat sinking.</p>		




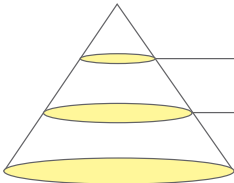
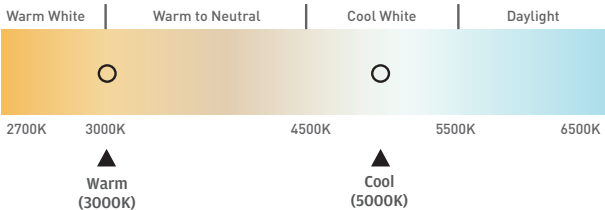
Dimensions:



Specifications: Dimmable up to 50%

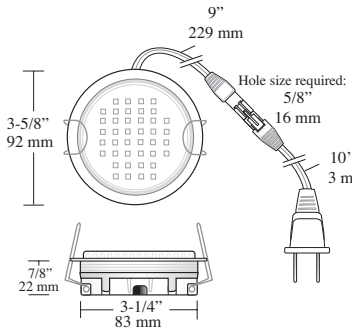


Wattage	Lumens	Efficacy (lm/W)	Input Voltage	Diode Life	Max Continuous Run	Mounting	Warranty	Beam Angle
4W	270	67.5	120V	30,000 Hours	45 Fixtures	Recess/Surface	3 Year	

Photometric Data				Color Temperature			
	Height	Light Output	Beam Area				
	1ft (.3m)	110.5Fc (1189.4lx)	2.3ft L x 2.3ft W (.7 m L x .7 m W)				
	3ft (.9m)	12.28Fc (132.2lx)	6.9ft L x 6.9ft W (2.1 m L x 2.1 m W)				
	6ft (1.8m)	3.07Fc (33.0lx)	13.9ft L x 13.8ft W (4.2 m L x 4.2 m W)				
L-MPOC-4W-120NL-C Tested							

- Required
- Optional

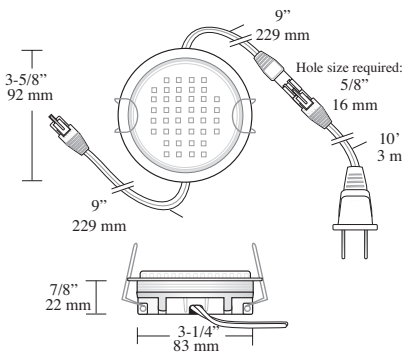
Pockit® 120L - Non-Linkable



Part #	Description	SLP
L-LPOC-3W-120NL-CBL-1	3W Black 5000K LED Pockit® 120-L Non-Linkable, 120V	\$59.55
L-LPOC-3W-120NL-CNI-1	3W Nickel 5000K LED Pockit® 120-L Non-Linkable, 120V	\$59.55
L-LPOC-3W-120NL-CWH-1	3W White 5000K LED Pockit® 120-L Non-Linkable, 120V	\$59.55
L-LPOC-3W-120NL-WBL-1	3W Black 2700K LED Pockit® 120-L Non-Linkable, 120V	\$59.55
L-LPOC-3W-120NL-WNI-1	3W Nickel 2700K LED Pockit® 120-L Non-Linkable, 120V	\$59.55
L-LPOC-3W-120NL-WWH-1	3W White 2700K LED Pockit® 120-L Non-Linkable, 120V	\$59.55

25,000 end of life hours.
 3-1/4" (83 mm) hole required for recessing.
 Trim Kit is included with each light body, which is required when mounting the light to a surface.
 All Pockit® lights can be either surface mounted or recess mounted.

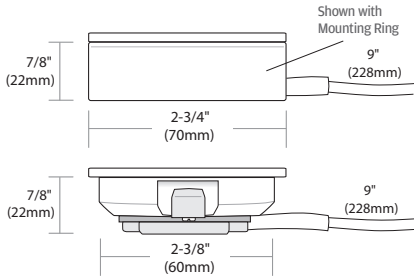
Pockit® 120L - Linkable



Part #	Description	SLP
L-LPOC-3W-120L-CBL-1	3W Black 5000K LED Pockit® 120-L Linkable, 120V	\$59.55
L-LPOC-3W-120L-CNI-1	3W Nickel 5000K LED Pockit® 120-L Linkable, 120V	\$59.55
L-LPOC-3W-120L-CWH-1	3W White 5000K LED Pockit® 120-L Linkable, 120V	\$59.55
L-LPOC-3W-120L-WBL-1	3W Black 2700K LED Pockit® 120-L Linkable, 120V	\$59.55
L-LPOC-3W-120L-WNI-1	3W Nickel 2700K LED Pockit® 120-L Linkable, 120V	\$59.55
L-LPOC-3W-120L-WWH-1	3W White 2700K LED Pockit® 120-L Linkable, 120V	\$59.55

25,000 end of life hours.
 3-1/4" (83 mm) hole required for recessing.
 Trim Kit is included with each Light Body, which is required when mounting the light to a surface.
 All Pockit® lights can be either surface mounted or recess mounted.

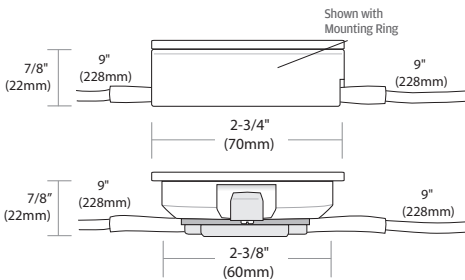
Pockit® 120-M - Non-Linkable



Part #	Description	SLP
L-MPOC-4W-120NL-WWH-1	120V Pockit® 120-M Non-Linkable, Warm, White	\$74.20
L-MPOC-4W-120NL-WBL-1	120V Pockit® 120-M Non-Linkable, Warm, Black	\$74.20
L-MPOC-4W-120NL-WNI-1	120V Pockit® 120-M Non-Linkable, Warm, Nickel	\$74.20
L-MPOC-4W-120NL-CWH-1	120V Pockit® 120-M Non-Linkable, Cool, White	\$74.20
L-MPOC-4W-120NL-CBL-1	120V Pockit® 120-M Non-Linkable, Cool, Black	\$74.20
L-MPOC-4W-120NL-CNI-1	120V Pockit® 120-M Non-Linkable, Cool, Nickel	\$74.20

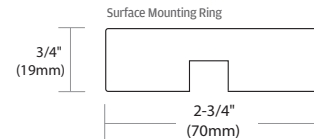
30,000 end of life hours.
 2-3/8" (60 mm) hole required for recessing.
 All Pockit® lights can be either surface mounted or recess mounted. Surface mount ring included with each light.
 Dimmable to 50% by standard LED wall dimmers.

Pockit® 120-M - Linkable

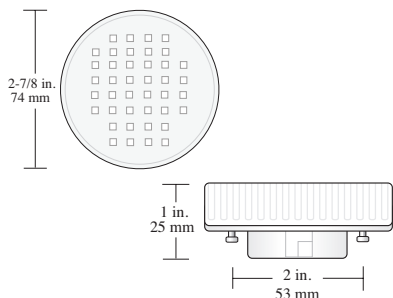


Part #	Description	SLP
L-MPOC-4W-120L-WWH-1	120V Pockit® 120-M Linkable, Warm, White	\$74.20
L-MPOC-4W-120L-WBL-1	120V Pockit® 120-M Linkable, Warm, Black	\$74.20
L-MPOC-4W-120L-WNI-1	120V Pockit® 120-M Linkable, Warm, Nickel	\$74.20
L-MPOC-4W-120L-CWH-1	120V Pockit® 120-M Linkable, Cool, White	\$74.20
L-MPOC-4W-120L-CBL-1	120V Pockit® 120-M Linkable, Cool, Black	\$74.20
L-MPOC-4W-120L-CNI-1	120V Pockit® 120-M Linkable, Cool, Nickel	\$74.20

30,000 end of life hours.
 2-3/8" (60 mm) hole required for recessing.
 All Pockit® lights can be either surface mounted or recess mounted.
 Surface mount ring included with each light.
 Dimmable to 50% by standard LED wall dimmers.



Replacement Head - 3W with Frosted Diffuser

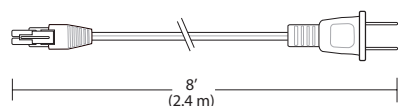


Part #	Description	SLP
L-LPOC-3WA-WBL-1	2700K Black LED Pockit® 120-L Replacement Head, 120V	\$40.95
L-LPOC-3WA-WNI-1	2700K Nickel LED Pockit® 120-L Replacement Head, 120V	\$40.95
L-LPOC-3WA-WWH-1	2700K White LED Pockit® 120-L Replacement Head, 120V	\$40.95
L-LPOC-3WA-CBL-1	5000K Black LED Pockit® 120-L Replacement Head, 120V	\$40.95
L-LPOC-3WA-CNI-1	5000K Nickel LED Pockit® 120-L Replacement Head, 120V	\$40.95
L-LPOC-3WA-CWH-1	5000K White LED Pockit® 120-L Replacement Head, 120V	\$40.95

GX53 base.
25,000 end of life hours.
Replacement head includes a frosted diffuser as standard.

NOTE: Existing Tresco® Fluorescent Pockit® T2 can be retrofitted using these replacement heads.

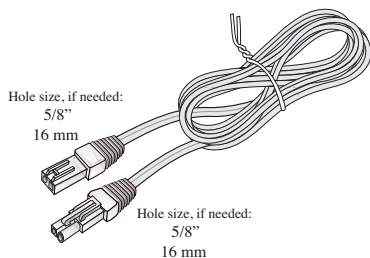
Pockit® 120-M Starter Cord



Part #	Description	SLP
L-MPOC-PKT8-WH-1	120V Pockit® 120-M, 8 ft. (2.4 m) Starter Cord White	\$11.00
L-MPOC-PKT8-BL-1	120V Pockit® 120-M, 8 ft. (2.4 m) Starter Cord Black	\$11.00

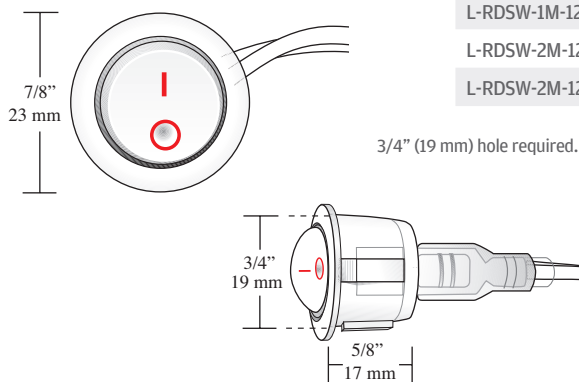
Sold separately.

Link Cord/Extension

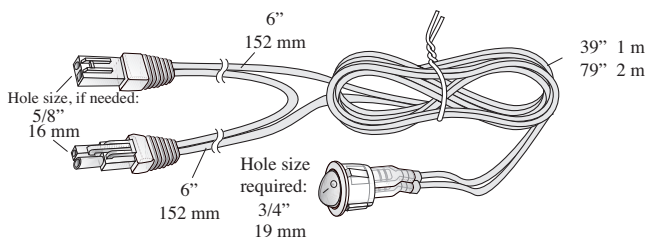


Part #	Description	SLP
L-FPOC-LINKA-25-BL-1	10" (25cm) Black Pockit® 120-L/M Linking Cord	\$3.30
L-FPOC-LINKA-25-WH-1	10" (25cm) White Pockit® 120-L/M Linking Cord	\$3.30
L-FPOC-LINKA-60-BL-1	24" (60cm) Black Pockit® 120-L/M Linking Cord	\$4.25
L-FPOC-LINKA-60-WH-1	24" (60cm) White Pockit® 120-L/M Linking Cord	\$4.25
L-FPOC-LINKA-120-BL-1	48" (120cm) Black Pockit® 120-L/M Linking Cord	\$5.90
L-FPOC-LINKA-120-WH-1	48" (120cm) White Pockit® 120-L/M Linking Cord	\$5.90
L-FPOC-LINKA-180-BL-1	72" (180cm) Black Pockit® 120-L/M Linking Cord	\$7.55
L-FPOC-LINKA-180-WH-1	72" (180cm) White Pockit® 120-L/M Linking Cord	\$7.55

Round Switch - 120V



Part #	Description	SLP
L-RDSW-1M-120-BL-1	120V Black Round Rocker Switch w/ 39" (1 m) Lead	\$16.35
L-RDSW-1M-120-WH-1	120V White Round Rocker Switch w/ 39" (1 m) Lead	\$16.35
L-RDSW-2M-120-BL-1	120V Black Round Rocker Switch w/ 79" (2 m) Lead	\$18.70
L-RDSW-2M-120-WH-1	120V White Round Rocker Switch w/ 79" (2 m) Lead	\$18.70



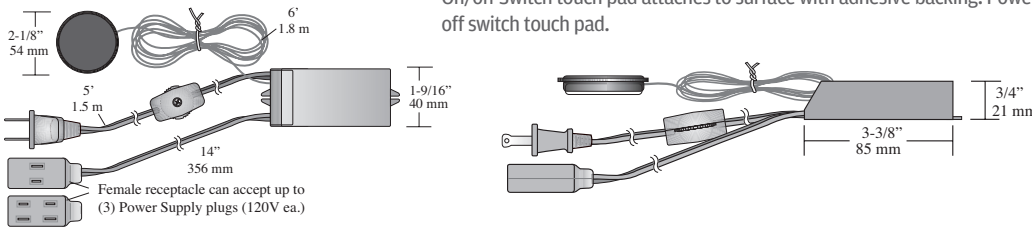
More optional items on next page.

- Required
- Optional

Touch On/Off Switch

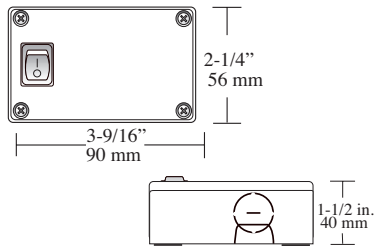
Part #	Description	SLP
L-TS2-72-1	Touch On/Off w/Cord And Touch Pad. Black, 200W	\$41.80

On/off Switch touch pad attaches to surface with adhesive backing. Power supply plugs into on/off switch touch pad.



Hardwire Boxes

Part #	Description	SLP
L-HWB-WH-T5-1	T5 White Hardwire Box, without Switch	\$16.20
L-HWB-BL-T5-1	T5 Black Hardwire Box, without Switch	\$16.20
L-HWB-WH-T5-S-1	T5 White Hardwire Box, with Switch	\$16.20
L-HWB-BL-T5-S-1	T5 Black Hardwire Box, with Switch	\$16.20



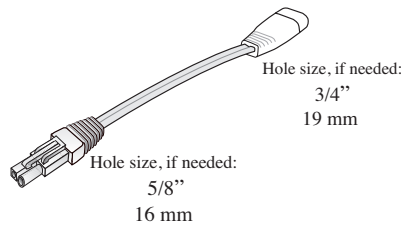
Maximum (10) light fixtures per hardwire box.
Must use Pockit® 120L/M Adaptor.

Pockit® 120-L/M Adaptor for Hardwire Box

Part #	Description	SLP
L-FPOC-HWB-ADP-WH-1	Pockit® 120-L/M Adaptor for Hardwire Box, White	\$3.20
L-FPOC-HWB-ADP-BL-1	Pockit® 120-L/M Adaptor for Hardwire Box, Black	\$3.20

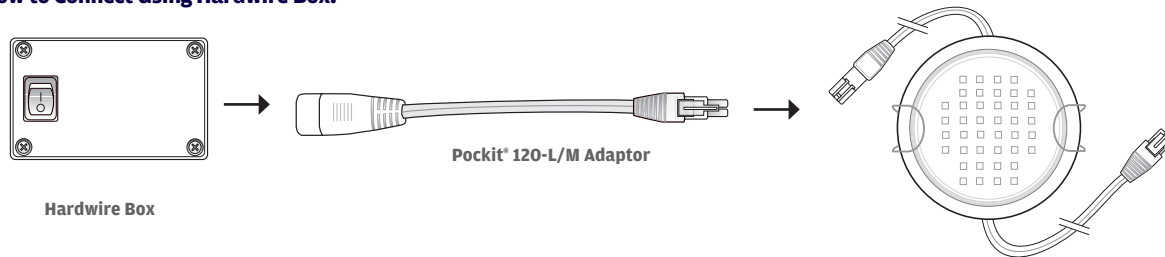


Required when using Hardwire Box.



NOTE: Must use hardwire box when used with a wall dimmer. Do not dim a receptacle.

How to Connect Using Hardwire Box:



LED Wall Dimmers

Part #	Description	SLP
L-DVCL-153P-WH-1	Lutron Diva® C•L™ Dimmer w/out plate	\$92.05
L-CTCL-153P-WH-1	Lutron Skylark Contour C•L™ Dimmer w/out plate	\$72.80
L-DSL06-1LZ-1	Leviton 300W Dimmer	\$74.70



T5 Trescent® LED

120V

4.3W/ft.
(14 W/m)

295 Lumens
per ft.
(967 per meter)



Look again – that’s not a fluorescent, that’s an LED Linear Light. The T5 LED has the same low profile as fluorescent strip lights without the harmful material, costly energy consumption or bulb replacement and breakage. While fluorescent bulbs produce uneven light, the T5 LED Series produces even light throughout the length of the fixture, giving off 20 percent more light than other brands.



Available Finishes:

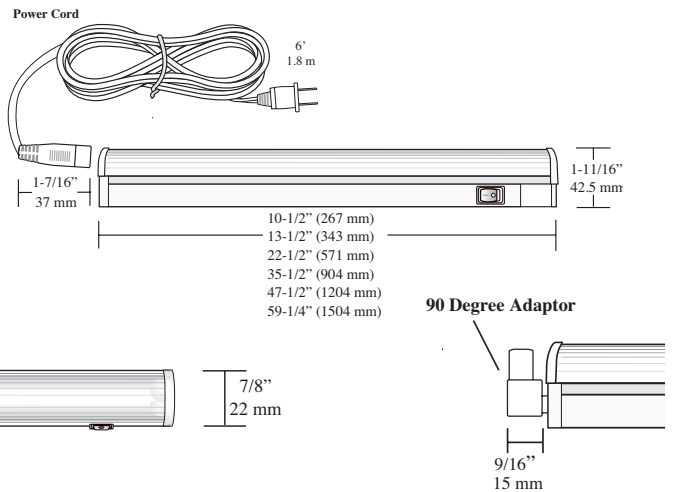


White (WH)



Black (BL)

Dimensions:



Specifications:



Wattage	Lumens	Efficacy (lm/W)	Input Voltage	Diode Life	Max Continuous Run	Mounting	Warranty	Beam Angle
4.3W/ft. (14W/m)	295 per ft. (967 per m)	68.6	120V	30,000 Hours	10 Fixtures or up to 150W	Surface	3 Year	150°

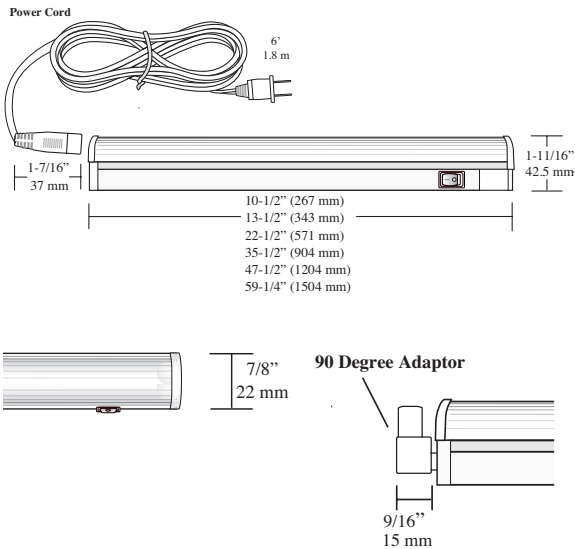
Photometric Data			Color Temperature					
	Height	Light Output						
	1ft (.3m)	318.50Fc (3428.30lx)	2.6ft L x 15.3ft W (.8 m L x 4.7 m W)	2700K	3000K	4500K	5500K	6500K
	3ft (.9m)	35.39Fc (380.93lx)	7.9ft L x 45.8ft W (2.4 m L x 14 m W)	<p>Warm White</p> <p>Warm to Neutral</p>		<p>Cool White</p> <p>Daylight</p>		
6ft (1.8m)	8.85Fc (95.26lx)	15.8ft L x 91.6ft W (4.8 m L x 27.9 m W)	<p>Warm (3000K)</p>		<p>Cool (5000K)</p> <p>Daylight (6500K)</p>			

L-LT518W-1204C Tested



● Required
● Optional

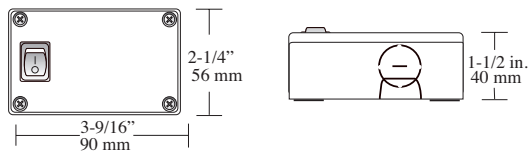
T5 Trescent® LED Series



Part #	Description	SLP
L-LT53W-267W*-5	T5 LED 3W 3000K 10.5" (267 mm)	\$33.25
L-LT53W-267C*-5	T5 LED 3W 5000K 10.5" (267 mm)	\$33.25
L-LT53W-267D*-5	T5 LED 3W 6500K 10.5" (267 mm)	\$33.25
L-LT54W-343W*-5	T5 LED 4W 3000K 13.5" (343 mm)	\$41.30
L-LT54W-343C*-5	T5 LED 4W 5000K 13.5" (343 mm)	\$41.30
L-LT54W-343D*-5	T5 LED 4W 6500K 13.5" (343 mm)	\$41.30
L-LT57W-571W*-5	T5 LED 7W 3000K 22.5" (571 mm)	\$60.45
L-LT57W-571C*-5	T5 LED 7W 5000K 22.5" (571 mm)	\$60.45
L-LT57W-571D*-5	T5 LED 7W 6500K 22.5" (571 mm)	\$60.45
L-LT514W-904W*-5	T5 LED 14W 3000K 35.5" (904 mm)	\$87.70
L-LT514W-904C*-5	T5 LED 14W 5000K 35.5" (904 mm)	\$87.70
L-LT514W-904D*-5	T5 LED 14W 6500K 35.5" (904 mm)	\$87.70
L-LT518W-1204W*-5	T5 LED 18W 3000K 47.5" (1204 mm)	\$113.35
L-LT518W-1204C*-5	T5 LED 18W 5000K 47.5" (1204 mm)	\$113.35
L-LT518W-1204D*-5	T5 LED 18W 6500K 47.5" (1204 mm)	\$113.35
L-LT525W-1504W*-5	T5 LED 25W 3000K 59.25" (1504 mm)	\$132.90
L-LT525W-1504C*-5	T5 LED 25W 5000K 59.25" (1504 mm)	\$132.90
L-LT525W-1504D*-5	T5 LED 25W 6500K 59.25" (1504 mm)	\$132.90

*For white fixture use (WH), for black use (BL).
6 ft. (1.8 m) starter cord, straight & 90° U-Clips, back-to-back connector and 90° adapter included.

Hardwire Boxes



Part #	Description	SLP
L-HWB-WH-T5-1	T5 White Hardwire Box, without Switch	\$16.20
L-HWB-BL-T5-1	T5 Black Hardwire Box, without Switch	\$16.20
L-HWB-WH-T5-S-1	T5 White Hardwire Box, with Switch	\$16.20
L-HWB-BL-T5-S-1	T5 Black Hardwire Box, with Switch	\$16.20

*Adaptor cord is required for proper connection.

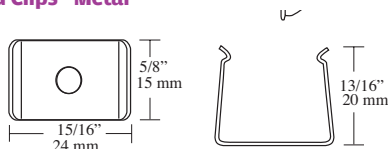
Hardwire Box Adaptor



Part #	Description	SLP
L-LT5-HWBADP-**-1	T5 LED Hardwire Box Adaptor	\$2.95

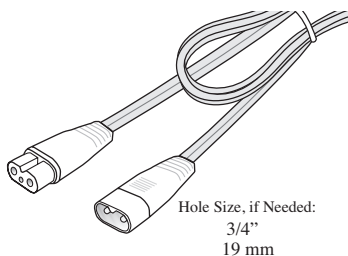
**For white fixture use (WH), for black use (BL).

U Clips - Metal



Part #	Description	SLP
L-TR55-UCLP-M-1	Metal T5 Replacement U-clips, Set of 2	\$2.35

Link Cord / Extension



Part #	Description	SLP
L-LT5-LNK15-BL-1	6" (15cm) Black T5 Trescent® LED Linking Cord	\$5.20
L-LT5-LNK15-WH-1	6" (15cm) White T5 Trescent® LED Linking Cord	\$5.20
L-LT5-LNK25-BL-1	10" (25cm) Black T5 Trescent® LED Linking Cord	\$5.90
L-LT5-LNK25-WH-1	10" (25cm) White T5 Trescent® LED Linking Cord	\$5.90
L-LT5-LNK60-BL-1	24" (60cm) Black T5 Trescent® LED Linking Cord	\$6.75
L-LT5-LNK60-WH-1	24" (60cm) White T5 Trescent® LED Linking Cord	\$6.75
L-LT5-LNK120-BL-1	48" (120cm) Black T5 Trescent® LED Linking Cord	\$7.45
L-LT5-LNK120-WH-1	48" (120cm) White T5 Trescent® LED Linking Cord	\$7.45
L-LT5-LNK180-BL-1	72" (180cm) Black T5 Trescent® LED Linking Cord	\$8.05
L-LT5-LNK180-WH-1	72" (180cm) White T5 Trescent® LED Linking Cord	\$8.05

Visit trescolighting.com for more information

Fit

FIT is the light that epitomizes form and function with its slim profile. Recessed in a depth of just 10mm, it blends into the cabinet creating a clean appearance uncommon in other wireless fixtures, making it the picture perfect light that begs to be seen.

Features:

Battery operated (5 x AAA included)

Integrated motion sensor

Slim profile

Recessed installation

Commercial grade 5-year warranty



Alpha

Enlightenment begins with ALPHA. The hassle-free wireless installation, high capacity USB rechargeable battery and slim profile of this all-purpose ecological light allows illumination of areas that are frequently left in the dark. The ALPHA light is perfect for utility closets, drawers and cabinets.

Features:

USB rechargeable battery

Integrated Motion Sensor

"Twist-n-lock mounting bracket

Pivoting light face

Slim profile

Commercial grade 5-year warranty



Pulse

Don't miss a beat with PULSE! This wireless LED boasts an impressive light output, PIR sensor, multiple mounting options and unsurpassed quality. Its design excellence and ease of installation makes PULSE the perfect solution for illuminating those spaces where traditional wiring is not available.

Features:

Battery operated (AAA x 8 included)

Integrated Motion Sensor

Easily detachable magnetic mounting bracket

Commercial grade 5-year warranty





Boost your bottom line with Tresco Lighting's new **Showroom Display Program**

75% off the purchase of lighting products to
outfit your showroom displays

Need help with your showroom's lighting layout?

Try our complimentary layout design service at:

trescolighting.com/layout

tresco lighting

Contact your sales representative for details.



**New countertop displays
now available**
(see next page for details)

Countertop Displays



Option A:

EquiLine Tape / Puck

1.5W 2700K EquiLine Tape LED
3W 4800K EquiLine Tape LED
EquiLine Puck 3000K
FREEDiM Wireless Micro Dimmer

Part Number:
L-KDCDA-1



Option B:

FineLine / EquiLine Puck

FineLine 3000K
FineLine 5000K
EquiLine Puck 3000K
FREEDiM Wireless Micro Dimmer

Part Number:
L-KDCDB-1



Option C:

Premium FlexTape

1.5W 2700K FlexTape
3W 3500K FlexTape
4.4W 4800K FlexTape
5.5W 6500K FlexTape
FREEDiM Wireless Deco Dimmer

Part Number:
L-KDCDC-1



Option D:

Premium Variety

Eurolinx 3000K
SimpLED 2.0 5000K
3W Power Pockit® 3000K
FREEDiM Wireless Deco Dimmer

Part Number:
L-KDCDD-1



Option E:

Premium Eurolinx / Pockit®

Eurolinx 3000K
Eurolinx 5000K
3W Power Pockit® 3000K
FREEDiM Wireless Deco Dimmer

Part Number:
L-KDCDE-1



Option F:

Premium SimpLED 2.0 / Pockit®

SimpLED 2.0 3000K
SimpLED 2.0 5000K
3W Power Pockit® 3000K
FREEDiM Wireless Deco Dimmer

Part Number:
L-KDCDF-1

\$75 each or FREE if you install \$500 in Tresco Lighting in your showroom*

*Discount credited by Rev-A-Shelf/Tresco upon verification of an installed product in a showroom or display cabinet. Requests must be initiated through your local Rev-A-Shelf/Tresco sales person.

Product Index Guide

3072-04-6.....	348	432-BFBBSC-3C.....	139	4465-24-50.....	193	486-30VSBSC-BM-1.....	115, 255
3472-04-6.....	349	432-BFBBSC-6C.....	139	447-BCSC-5C.....	153	486-30VSBSC-SM-1.....	115, 255
4235-11-5.....	131	432-BFSC-3C.....	140	447-BCSC-8C.....	153	499-18-LWN.....	86
6022-04-4.....	352, 388	432-BFSC-6C.....	140	448-08SC-SRI-1.....	147, 149	499-18-RWN.....	86
6942-04-4.....	354	432-BFSC-9C.....	140	448-11SC-SRI-1.....	149	4ASR-15.....	231
3001-18-**-12.....	348	432-TF39-6C.....	178	448-BBSCWC-5C.....	227	4ASR-15BIN-10.....	231
3001-20-**-12.....	348	432-TF45-6C.....	178	448-BBSCWC-6C.....	227	4ASR-18.....	231
3001-24-**-12.....	348	432-VF26SC-3.....	267	448-BBSCWC-8C.....	227	4ASR-18BIN-10.....	231
3001-28-**-12.....	348	432-VF26SC-6.....	267	448-BBSCWC-9C.....	227	4ASR-21.....	231
3071-18-**-52.....	348	432-VF30SC-3.....	267	448-BBSCWC36-5C.....	227	4ASR-21BIN-10.....	231
3071-20-**-52.....	348	432-VF30SC-6.....	267	448-BBSCWC36-8C.....	227	4ASR-25STD-20.....	231
3071-24-**-52.....	348	432-WF-3C.....	235	448-BC-11C.....	147	4ASR-31STD-20.....	231
3071-28-**-52.....	348	432-WF-6C.....	235	448-BC-14C.....	147	4ASR-37STD-20.....	231
3072-04-18-6.....	348	432-WF33-3C.....	235	448-BC-5C.....	147	4B-10-8.....	368, 390
3072-18-**-52.....	348	432-WF33-6C.....	235	448-BC-6C.....	147	4B-7-8.....	368, 390
3072-20-**-52.....	348	432-WF36-3C.....	235	448-BC-8C.....	147	4BM1-04-52.....	390
3072-24-**-52.....	348	432-WF36-6C.....	235	448-BC19SC-5C.....	149	4BM1-18-52.....	390
3072-28-**-52.....	348	432-WF39-3C.....	235	448-BC19SC-8C.....	149	4BS-10-8.....	369, 370, 390
3073-04-18-431-4.....	348	432-WF39-6C.....	235	448-BCBBSC-5C.....	147	4BS-7-8.....	369, 370, 390
3073-04-18-436-4.....	348	432-WF42-3C.....	235	448-BCBBSC-8C.....	147	4CDI-18-KCUP-1.....	215
3073-18-**-531.....	348	432-WF42-6C.....	235	448-BCSC-11C.....	149	4CDI-24-KCUP-1.....	215
3073-18-**-536.....	348	432-WFBBSC30-3C.....	235	448-BCSC-14C.....	149	4CW2-18SC-1.....	118
3073-20-**-531.....	348	432-WFBBSC30-6C.....	235	448-BCSC-5C.....	149	4CW2-24SC-1.....	118
3073-20-**-536.....	348	432-WFBBSC33-3C.....	235	448-BCSC-6C.....	149	4DMCB-15.....	130
3150-11BR.....	239	432-WFBBSC33-6C.....	235	448-BCSC-8C.....	149	4DMCB-15P.....	130
3150-11CR.....	239	432-WFBBSC36-3C.....	235	448-BCSC-9C.....	149	4DMCB-18.....	130
3150-11ORB.....	239	432-WFBBSC36-6C.....	235	448-BCSCSD-5C.....	149	4DMCB-18P.....	130
3150-11SN.....	239	432-WFBBSC39-3C.....	235	448-BCSCSD-8C.....	149	4DPB-2421.....	211
3150-16BR.....	239	432-WFBBSC39-6C.....	235	448-BDDSC-11C.....	149	4DPB-3021.....	211
3150-16CR.....	239	432-WFBBSC42-3C.....	235	448-BDDSC-5C.....	149	4DPB-3921.....	211
3150-16ORB.....	239	432-WFBBSC42-6C.....	235	448-BDDSC-8C.....	149	4DPBG-2421-1.....	211
3150-16SN.....	239	432TB-BFBBSC-3C.....	119	448-HP-523C.....	227	4DPBG-3021-1.....	211
3150-18BR.....	239	432TB-BFBBSC-6C.....	119	448-SR11-1.....	147	4DPBG-3921-1.....	211
3150-18CR.....	239	433-BF-9C.....	141	448-SR8-1.....	147	4DPS-2421.....	211
3150-18ORB.....	239	433-BFBBSC-9C.....	141	448-TP43-11-1.....	177	4DPS-3021.....	211
3150-18SN.....	239	434-BF-3SS.....	143	448-TP43-14-1.....	177	4DPS-3921.....	211
3250BR.....	239	434-BF-6SS.....	143	448-TP43-5-1.....	177	4DPS-PEG-4.....	211
3250CR.....	239	434-BFBBSC-3SS.....	143	448-TP43-8-1.....	177	4DPS-PEG-WN-4.....	211
3250ORB.....	239	434-BFBBSC-6SS.....	143	448-TP51-11-1.....	177	4DPS-WN-2421.....	211
3250SN.....	239	434-D3-5.....	143	448-TP51-14-1.....	177	4DPS-WN-3021.....	211
3401-24-**-12.....	349	434-D6-5.....	143	448-TP51-5-1.....	177	4DPS-WN-3921.....	211
3401-28-**-12.....	349	434-PEG3-6.....	143	448-TP51-8-1.....	177	4FSCO-18SC-1.....	138
3401-32-**-12.....	349	434-PEG6-6.....	143	448-TP58-11-1.....	177	4FSCO-24SC-1.....	138
3450-11BR.....	239	434-S3-5.....	143	448-TP58-14-1.....	177	4FWI-16SS-1.....	213
3450-11CR.....	239	434-S6-5.....	143	448-TP58-5-1.....	177	4HD-15-1.....	252
3450-11ORB.....	239	434-TF39-6SS.....	179	448-TP58-8-1.....	177	4HDBM2-04-52.....	370, 390
3450-11SN.....	239	434-TF39R-6SS.....	179	448-VC20SC-8.....	269	4KCB-18SC-1.....	207
3471-24-**-52.....	349	434-TF45-6SS.....	179	448-VC25SC-8.....	269	4KCB-21SC-1.....	207
3471-28-**-52.....	349	434-TF45R-6SS.....	179	448-WC-5C.....	227	4KCB-24SC-1.....	207
3471-32-**-52.....	349	434-WF-3SS.....	244	448-WC-8C.....	227	4KCB-419FLSC-1.....	207
3472-24-**-52.....	349	434-WF-6SS.....	244	448KB-BCSC-11C.....	152	4MR-18-1.....	229
3472-28-**-52.....	349	438-BC-3C.....	144	448KB-BCSC-8C.....	152	4MR-18W-1.....	229
3472-32-**-52.....	349	438-BC-6C.....	144	448KB-BCSC-9C.....	152	4PIL-18SC-2.....	137, 175
4231-08-52.....	131	438-BCSC-3C.....	144	448OXO-BCSC-8C.....	150	4PIL-18SC-3.....	137, 175
4231-11-52.....	131	438-BCSC-6C.....	144	448UT-BCSC-5C.....	151	4PIL-18SC-SV-2.....	137, 175
4231-14-52.....	131	441-12VSBSC-1.....	116, 256	448UT-BCSC-8C.....	151	4PIL-18SC-SV-3.....	137, 175
4231-20-52.....	131	441-15VSBSC-1.....	116, 256	449-BCSC-10C.....	155	4PIL-21-1.....	137, 175
4235-14-5.....	131	444-BBSCWC-5SS.....	245	449-BCSC-5C.....	155	4PIL-21-10.....	137, 175
4235-20-5.....	131, 189	444-BC-8SS.....	145	449-BCSC-7C.....	155	4PIL-21-SV-1.....	137, 175
4265-20-50.....	193	444-BCSC-8SS.....	145	449-BCSC-8C.....	155	4PIL-21-SV-10.....	137, 175
4265-22-52.....	189	444-WC-5SS.....	245	449UT-BCSC-10C.....	155	4PIL-24SC-2.....	137, 175
432-BF-3C.....	139	445-VCG20SC-8.....	268	449UT-BCSC-5C.....	155	4PIL-24SC-3.....	137, 175
432-BF-6C.....	139	445-VCG25SC-8.....	268	449UT-BCSC-7C.....	155	4PIL-24SC-SV-2.....	137, 175
432-BF-9C.....	139	445VBOSC-8C.....	248	449UT-BCSC-8C.....	155	4PIL-24SC-SV-3.....	137, 175

4PIL-BUTTON-1 137, 175	4WCBM-18DM-265	4WD-22SH-WN-1217	4WLS401-32-BS52370
4PIL-BUTTON-12 137, 175	4WCBM-2150DM-265	4WDB-12.....135	4WLS421-24-52193
4SB-10-1.....391	4WCBM-2430DM-265	4WDB-15.....135	4WLS441-24-8370
4SB-10-10.....391	4WCCB-18SC-1201	4WDB4-18SC-1.....135	4WLS441-28-8.....370
4SB-7-1.....391	4WCCB-419FLSC-1201	4WDB4-24SC-1.....135	4WLS441-32-8.....370
4SB-7-10.....391	4WCDB-18FLSC-1206	4WDB4-PIL-18SC-1..... 137, 175	4WLS472-24-52370
4SBS-10-1.....391	4WCDB-18SC-1206	4WDB4-PIL-24SC-1..... 137, 175	4WLS472-28-52370
4SBS-10-10.....391	4WCSC-128-19-1258	4WDB7-18SC-1.....135	4WLS472-32-52370
4SBS-7-1.....391	4WCSC-1535DM-167	4WDB7-24SC-1.....135	4WLS6072-04-4 368, 369
4SBSU-15 109, 129	4WCSC-1535DM19-1 67, 258	4WDB7-PIL-18SC-1..... 137, 175	4WLS6073-04-436 368, 369
4SBSU-18 109, 129	4WCSC-1550DM-167	4WDB7-PIL-24SC-1..... 137, 175	4WLS6272-04-4370
4SBSU-21 109, 129	4WCSC-1835CK**2..... 41, 67	4WDKB-1216	4WLS882-32-570 89, 370
4SDI-18.....214	4WCSC-1835DM-267	4WDKB-WN-1.....216	4WLS882-35-570 89, 370
4SDI-24.....214	4WCSC-1835DMND-2.....67	4WDP18-45.....181	4WLS882-38-570 89, 370
4SDI-36-1 198, 214	4WCSC-2135DM-267	4WDP18-51.....181	4WLS901-24-52371
4SDI-WN-18-1.....214	4WCSC-2150DM-267	4WDP18-57*181	4WLS901-24-8.....371
4SDI-WN-24-1.....214	4WCSC-CK**1 41, 67	4WFR-15-1233	4WLS901-2433-8371
4SH-15-1251	4WCSD-1535DM-167	4WFR-18-1233	4WLS901-28-52371
4SOWC-8-1 74, 258	4WCSD-1550DM-167	4WFR-21-1233	4WLS901-28-8371
4SPBD-15 109, 129	4WCSD-1835DM-267	4WH-RM-15DM-1260	4WLS901-31-52371
4SPBD-18 109, 129	4WCSD-2150DM-267	4WH-VCSC-21DM-1 259, 300	4WLS901-31-8.....371
4SR-15230	4WCT-1.....212	4WKB-1217	4WLS940-04P-24-4371
4SR-18230	4WCT-1SH.....212	4WLS001-10-B52368	4WLS940-04P-28-4371
4SR-21230	4WCT-3.....212	4WLS001-18-52368	4WLS940-04P-31-4371
4TMBIN-15-646	4WCT-3SH.....212	4WLS001-18-8368	4WLS942-2433-52371
4TMBIN-17-646	4WCT-WN-1SH212	4WLS001-18-B52368	4WLS942-24P-52371
4TMBIN-6.....46	4WCT-WN-3SH212	4WLS001-20-52368	4WLS942-28P-52371
4TT-2133-1209	4WCTM-12BBSCDM170	4WLS001-20-8.....368	4WLS942-31P-52371
4VCOS-22-1250	4WCTM-12CK**SCDM1.. 41, 70	4WLS001-20-B52368	4WP18-45-KIT181
4VDO-12SC-1 208, 254	4WCTM-12DM1.....70	4WLS001-22-8368	4WP18-51-KIT181
4VDO-15SC-1 208, 254	4WCTM-12DM1-16270	4WLS001-28-52368	4WP18-57-KIT181
4VDO-18SC-1 208, 254	4WCTM-12DM1-17570	4WLS001-28-8368	4WSP18-45181
4VDO-267FLSC-1 208, 254	4WCTM-12DM1-343-FL70	4WLS001-28-B52368	4WSP18-51181
4VDO-343FLSC-1 208, 254	4WCTM-12INDM-1.....70	4WLS001-28-B52368	4WSP18-57*181
4VDO-419FLSC-1 208, 254	4WCTM-1516DM-170	4WLS001-32-8.....368	4WTCD-15-1203
4VDOHT-12SC-1 208, 254	4WCTM-1550BBSCDM-170	4WLS001-32-B52368	4WTCD-15SC-1.....203
4VDOHT-15SC-1 208, 254	4WCTM-1550DM-170	4WLS041-18-8.....368	4WTCD-18-1203
4VDOHT-18SC-1 208, 254	4WCTM-1550DM1-343-FL70	4WLS041-20-8.....368	4WTCD-18-KCUP-1205
4VDOHT-267FLSC-1 208, 254	4WCTM-15BBSCDM270	4WLS041-28-8.....368	4WTCD-18SC-1.....203
4VDOHT-343FLSC-1 208, 254	4WCTM-15DM2.....70	4WLS041-32-8.....368	4WTCD-18SC-KCUP-1.....205
4VDOHT-419FLSC-1 208, 254	4WCTM-15DM2-16270	4WLS072-18-52368	4WTCD-21-1203
4VDOHT-419FLSC-1 208, 254	4WCTM-15DM2-343-FL70	4WLS072-20-52368	4WTCD-21SC-1.....203
4VDOT-12SC-1 208, 254	4WCTM-1816DM-170	4WLS072-22-52368	4WTCD-24-1203
4VDOT-15SC-1 208, 254	4WCTM-1818DM-1-16270	4WLS072-28-52368	4WTCD-24SC-1.....203
4VDOT-18SC-1.....208, 254	4WCTM-1850DM-170	4WLS072-32-52368	4WTCD-30-1204
4VDOT-267FLSC-1..... 208, 254	4WCTM-1850DM2-419-FL70	4WLS073-18-536368	4WTCD-30SC-1.....204
4VDOT-419FLSC-1 208, 254	4WCTM-18BBSCDM270	4WLS073-20-536368	4WTCD-343FL-1203
4VDOT343FLSC-1 208, 254	4WCTM-18CK**SCDM2.. 41, 70	4WLS201-20-52369	4WTCD-343FLSC-1203
4VHTM-1520DM-1260	4WCTM-18DM2.....70	4WLS201-20-8.....369	4WTCD-36-1204
4VOD-18FLSC-1249	4WCTM-18DM2-16270	4WLS201-20-BS52369	4WTCD-36SC-1.....204
4VOD-18SC-1249	4WCTM-18DM2-17570	4WLS201-20-BS8369	4WTCD-419FL-1203
4VR-12-1.....133, 257	4WCTM-18DM2-419-FL70	4WLS201-22-BS52369	4WTCD-419FLSC-1203
4VR-15-1.....133, 257	4WCTM-18INDM-2.....70	4WLS201-22-BS8369	4WTCD-495FL-1203
4VR-18-1.....133, 257	4WCTM-2150BBSCDM-270	4WLS201-31-52369	4WTCD-495FLSC-1203
4VR-21-1.....133, 257	4WCTM-2150DM-270	4WLS201-31-8.....369	4WTCD-572FL-1203
4VR-24-1.....133, 257	4WCTM-21DM2.....70	4WLS201-31-BS52369	4WTCD-572FLSC-1203
4WBDP18-25132	4WCTM-21DM2-16270	4WLS201-31-BS8369	4WTCD-724FL-1204
4WBFP18-25-KIT.....132	4WCTM-21DM2-495-FL70	4WLS221-20-52193	4WTCD-724FLSC-1204
4WBSP18-25132	4WCTM-24DM2.....70	4WLS241-20-8.....369	4WTCD-876FL-1204
4WC-15DM162	4WCTM-24DM2-16270	4WLS241-31-8.....369	4WTCD-876FLSC-1204
4WC-18DM262	4WCTM-27-4.....70	4WLS272-20-52369	4WTCD-876FLSC-1204
4WC-24DM2-SC62	4WCTM-27-4-597-FL70	4WLS272-22-52369	4WTCD-876FLSC-1204
4WC-TOKIT-12..... 63, 67, 75	4WCTM-RM-1835DM-1.....71	4WLS272-31-52369	4WTCD-876FLSC-1204
4WC-TOKIT-15..... 63, 67, 75	4WCTM-RM-1850DM-1.....71	4WLS273-20-536369	4WTCD-876FLSC-1204
4WC-TOKIT-18..... 63, 67, 75	4WCTM-RM-2135DM-2.....71	4WLS401-24-52370	4WTCD-876FLSC-1204
4WC-WN-1550DM1-SC.....63	4WCTM-RM-2150DM-2.....71	4WLS401-24-8370	4WTCD-876FLSC-1204
4WC-WN-15DM1-SC.....63	4WCTM-SP-KIT.....70	4WLS401-28-52370	4WTCD-876FLSC-1204
4WC-WN-18DM2-SC.....63	4WCTM-WNRM-1850DM-171	4WLS401-28-8.....370	4WTCD-876FLSC-1204
4WC-WN-2150DM2-SC.....63	4WCTM-WNRM-2150DM-2 ...71	4WLS401-28-BS52370	4WTCD-876FLSC-1204
4WCBM-1550DM-165	4WD-22-1217	4WLS401-32-52370	4WTCD-876FLSC-1204
4WCBM-15DM-165	4WD-22SH-1217	4WLS401-32-8.....370	4WTCD-876FLSC-1204

4WUTCT-36-1.....198	5330-15BCSC-**167	5374-18FL-FOG182	5758-04-CR-1187
4WUTKB-36-1199	5330-21BCSC-**167	5374-24FL-FOG182	5758-08-CR-1187
4WV-15MP134	5330-33BCSC-**167	5375-40WR-1CR162	5758-10-CR-1187
4WV-15WN134	5330-33BCSCFL-FOG167	5386-30BCSC-**113	5758-14-CR-1187
4WV-18MP134	5343-08-**185	5386-30BCSCFL-FOG113	5758-16-CR-1187
4WV-18WN134	5343-10-**185	5386-33BCSC-**113	5758-20-CR-1187
51-35-21149, 51	5343-13-**185	5386-33BCSCFL-FOG113	5773-04-CR-1187
51-35-21749, 51	5343-16-**185	53PSP-15SC-**85	5773-08-CR-1187
51-35-21849, 51	5343-19-**185	53PSP-15SC-FOG85	5773-10-CR-1187
51-50-21149, 51	5345-DM-KIT-157	53PSP-18SC-**85	5773-14-CR-1187
51-50-21749, 51	53472-32FOG-1382	53PSP-18SC-FOG85	5773-16-CR-1187
51-50-21849, 51	53472-32GR-1382	53PSP3-15SC-**85	5773-20-CR-1187
51-70-1DP49	53472-32MP-1382	53PSP3-18SC-**85	5786-30CR114
51-70-1SS51	5349-1527DM-257	53TM-1835GSCDM2-FL60	5786-33CR114
5149-1527DM-21155	5349-1527DM-21757	53TM-1850GSCDM2-FL60	5789CR165
5149-1527DM-21755	5349-1550DM-157	53TM-18GSCDM3-FL60	582-18-LMP83
5149-1550DM-11155	5349-1550DM-11757	53TM-24GSCDM4-FL60	582-18-RMP83
5149-1550DM-11755	5349-15CK**-141, 57	53TMVH-24SCDM-2-FL261	5881-33CR-191, 386
5149-15DM-11155	5349-15DM-157	53WC-1527SCDM-21259	596-10CR-52122, 236
5149-15DM-11755	5349-15DM-11757	53WC-1527SCDM-21359	597-12-10123, 237
5149-15DM18-11155, 271	5349-15DM18-157	53WC-1527SCDM-21759	597-12-52123, 237
5149-15DM18-11755, 271	5349-15DM18-11757	53WC-1535SCDM-11259	597-12CR-10123, 237
5149-18DM-21155	5349-18CK**-241, 57	53WC-1535SCDM-11359	597-12CR-52123, 237
5149-18DM-21755	5349-18DM-257	53WC-1535SCDM-11759	597-18-10123
5149-2150DM-21155	5349-18DM-21757	53WC-1550SCDM-11259	597-18-52123
5149-2150DM-21755	5349-2150DM-257	53WC-1550SCDM-11359	597-18CR-10123
5159-21DM-1DP49	5349-2150DM-21757	53WC-1550SCDM-11759	597-18CR-52123
5159-21DM-2DP49	5350-08-**185	53WC-1835SCDM-21259	599-18-LMP87
5169-21DM-1SS51	5350-10-**185	53WC-1835SCDM-21359	599-18-RMP87
5169-21DM-2SS51	5350-13-**185	53WC-1835SCDM-21759	5BBSC-WMDM24-C61
5190-15RM-111264	5350-16-**185	53WC-2150SCDM-21259	5BBSC-WMDM24-W61
5190-15RM-117264	5350-19-**185	53WC-2150SCDM-21359	5CC-915S-11-195
5190-LINER264	5358-08-**185	53WC-2150SCDM-21759	5CC-915S-13-195
5225-09-MP163	5358-10-**185	544-10C-1110	5CC-915S-18-195
5258-09-MP183	5358-13-**185	5472-28 CR385	5CCSO12-11-194
5258-14-MP183	5358-16-**185	5472-32 CR385	5CCSO12-13-194
5272-20 CR384	5358-19-**185	548-06CR-1124	5CCSO12-18-194
5272-32 CR384	5365-08-FOG232	548-10CR-1108	5CHB-LINER265, 299
5273-09-MP183	5365-10-FOG232	548-BC-8C163	5CW2-1222-CR128
5273-14-MP183	5365-14-FOG232	563-3296	5CW2-1222SC-CR128
5273-20-536 CR384	5371-15**-L81	563-32 C96	5CW2-2122-CR128
53-401-32BSFOG-1382	5371-15**-R81	563-4796	5CW2-2122SC-CR128
53-401-32BSGR-1382	5371-15-FOG-L79	563-47 C96	5DCD-1-CR211
53-401-32BSMP-1382	5371-15-FOG-R79	563-51-C96	5DCH-2-1-CR211
5322-BCSC-11-GR157	5371-18**-L81	565-10232	5DLD-1-CR211
5322-BCSC-11-MP157	5371-18**-R81	565-10-52232	5KCUP-432-1235
5322-BCSC-5-GR157	5371-18-FOG-L79	565-14232	5LB-1230OGMP-11353
5322-BCSC-5-MP157	5371-18-FOG-R79	565-14-52232	5LB-1230OGWN-11353
5322-BCSC-6-FOG157	5371-21**-L81	565-8232	5LB-1230SSBL-11853
5322-BCSC-6-GR157	5371-21**-R81	565-8-52232	5LB-1535OGMP-11353
5322-BCSC-6-MP157	5371-21-FOG-L79	57-EXTEND-1185, 187	5LB-1535OGWN-11353
5322-BCSC-8-GR157	5371-21-FOG-R79	5707-15CR88	5LB-1535SSBL-11853
5322-BCSC-8-MP157	5371-SC-KIT-179, 81	5707-18CR88	5LB-1550OGMP-11353
5322-BCSC-9-FOG157	5372-15**-L81	5708-15CR228	5LB-1550OGWN-11353
5322-BCSC-9-GR157	5372-15**-R81	5722-36CR188	5LB-1550SSBL-11853
5322-BCSC-9-MP157	5372-15-FOG-L79	5730-12CR165	5LB-1835OGMP-21353
5322KB-BCSC-11-GR159	5372-15-FOG-R79	5730-15CR165	5LB-1835OGWN-21353
5322KB-BCSC-11-MP159	5372-18**-L81	5730-21CR165	5LB-1835SSBL-21853
5322KB-BCSC-6-FOG159	5372-18**-R81	5730-33CR165	5LB-1850OGMP-21353
5322KB-BCSC-6-GR159	5372-18-FOG-L79	5743-04-CR-1187	5LB-1850OGWN-21353
5322KB-BCSC-6-MP159	5372-18-FOG-R79	5743-08-CR-1187	5LB-1850SSBL-21853
5322KB-BCSC-8-GR159	5372-21**-L81	5743-10-CR-1187	5LB-TOKIT-1253, 75
5322KB-BCSC-8-MP159	5372-21**-R81	5743-14-CR-1187	5LB-TOKIT-1553, 75
5322KB-BCSC-9-GR159	5372-21-FOG-L79	5743-16-CR-1187	5LB-TOKIT-1853, 75
5322KB-BCSC-9-MP159	5372-21-FOG-R79	5743-20-CR-1187	5LBSD-KIT-153
5322UT-BCSC-6-FOG161	5372-SC-KIT-279, 81	5750-04-CR-1187	5LSF018-8CR386
5322UT-BCSC-6-GR161	5373-08-**185	5750-08-CR-1187	5LSF018-CR386
5322UT-BCSC-6-MP161	5373-10-**185	5750-10-CR-1187	5LSF020-8CR386
5322UT-BCSC-8-GR161	5373-13-**185	5750-14-CR-1187	5LSF020-CR386
5322UT-BCSC-8-MP161	5373-16-**185	5750-16-CR-1187	5LSF028-8CR386
5330-12BCSC-**167	5373-19-**185	5750-20-CR-1187	5LSF028-CR386

5LSF032-8CR	386	6022-04-52.....	388	65*1-16-5	105	6882-1008-04-52.....	90, 355, 392
5LSF032-CR	386	6022-04-52-526.....	388	65*1-19-4	105	6882-31-**-570	90, 355
5LSF424-8CR	386	6065-16-**-52	191	65*1-19-5	105	6882-33-**-570	90, 355
5LSF424-CR	386	6065-18-**-52	191	65*1-22-4	105	6882-39-**-570	90, 355
5LSF428-8CR	386	6071-16-**-52	353	65*1-22-5	105	6901-24-**-4	354
5LSF428-CR	386	6071-18-**-52	353	65*1-25-4	105	6901-28-**-4	354
5LSF432-8CR	386	6071-20-**-52	353	65*1-25-5	105	6940-04-28P-4.....	362, 389
5LSF432-CR	386	6071-24-**-52	353	65*1-28-4	105	6940-04-28P-52.....	389
5PD-24CRN.....	241	6071-28-**-52	353	65*1-28-5	105	6942-04-28-4.....	354
5PD-24FOG	241	6071-32-**-52	353	65*1-31-4	105	6942-04-28-52.....	389
5PD-36CRN.....	241	6072-04-52	388	65*1-31-5	105	6942-24-**-52	354
5PD-36FOG	241	6072-16-**-52	353	6541-36-**-4	103	6942-28-**-52	354
5PSP-15-CR.....	84	6072-18-**-52	353	6541-36-**-50	103	6950-07P-52.....	389
5PSP-15SC-CR	84	6072-20-**-52	353	6541-36-**-52	103	7001-20-**-4	352
5PSP-18-CR.....	84	6072-24-**-52	353	6541-36-**-ETH	103	7012-20-**-52	352
5PSP-18SC-CR	84	6072-28-**-52	353	6541-36SC-11-50	104	7013-20-**-526	352
5PSP3-15SC-CR	84	6072-32-**-52	353	6541-36SC-15-50	104	8-010212-14.....	72, 270, 319
5PSP3-18SC-CR	84	6073-04-536	388	6542-11-**-4	103	8-010314-15.....	72, 270, 319
5SBWC-815S-1.....	74, 111, 272	6073-18-**-536	353	6542-11-**-52	103	8-010412-15.....	72, 270, 319
5SBWCC-8S-1	111, 272	6073-20-**-536	353	6542-14-**-4	103	8-060-11SS.....	75
5UPD-24CRN.....	243	6221-20-**-52	192, 353	6542-14-**-52	103	8-060-15SS.....	75
5WB-DMKIT47, 74, 111, 127, 128, 272		6221-22-**-52	353	6542-97-**-4	103	8-700411-20.....	72, 270
5WB1-0918CR-1	127	6230-MB-11-1	99, 131	6542-ETH-**-10	103	8-785-30-2SS	73
5WB1-1218CR-1	127	6232-08-**-52	99	6551-36-**-50	101	8-785-30-DM2SS.....	73
5WB1-1220CR-1	127	6232-14-**-52	99	6551-36-**-52	101	BDC-200-**-	221
5WB1-1222CR-1	127	6232-20-**-52	99	6551-36-**-ETH	101	BDC-200-20	221
5WB1-1520CR-1	127	6232-26-4528-52.....	131, 191	6551-36SC-11-50	104	BDC24-**-	221
5WB1-1522CR-1	127	6232-58-4528-52... 131, 189, 190		6551-36SC-15-50	104	BDC24-20.....	221
5WB1-1820CR-1	127	6235-08-**-52	99	6552-94-0220-4.....	107	BM1-04-52	353, 354, 390
5WB1-1822CR-1	127	6235-14-**-52	99, 191	6552-95-0220-4.....	107	BM1-18-52	353, 354, 390
5WB1-2120CR-1	127	6235-20-**-52	99, 190	6552-97-**-4	101	BM1-VL-04-52	348, 349, 353, 390
5WB1-2122CR-1	127	6260-38-1	389	6552-ETH-**-10	101	BM1-VL-18-52	348, 349, 353, 390
5WB2-0918CR-1	127	6265-04-52.....	389	6552-ETH-10.....	107	BM1-VL-18-LHUB-12	349
5WB2-0922CR-1	127	6265-20-**-50	192	6561-11-**-4	102	BM1-VL-18-LHUB-6	390
5WB2-1218CR-1	127	6265-22-**-52	190	6561-14-**-4	102	BM1-VL-18-SHUB-6	390
5WB2-1222CR-1	127	6271-20-**-52	353	6562-11-**-52	102	BM1-VL-4-LHUB-12.....	348, 349, 390
5WB2-1522CR-1	127	6271-22-**-52	353	6562-14-**-52	102	BM1-VL-4-SHUB-12	348, 390
5WB2-1822CR-1	127	6272-04-52.....	389	6571-36-**-4	101, 233	BRC-12CR	335
5WB2-2122CR-1	127	6272-20-**-52	353	6571-60-52.....	101, 233	BRC-12NS-CR	336
5WBR-18CR-1	172	6272-22-**-52	353	6571-61-52.....	101, 233	BRC-12NS-ORB	336
5WBR-18CR-5	172	6273-20-**-536	353	6571-72-**-4	101, 233	BRC-12NS-SN	336
5WBR-24CR-1	172	6273-22-**-536	353	6572-11-**-4	102	BRC-12ORB.....	335
5WBR-24CR-5	172	6360-05-7008-26-52	389	6572-11-**-52	102	BRC-12SN	335
5WBR-30CR-1	172	6370-96-7008-26-52.....	192, 193, 389	6572-14-**-4	102	BRC-14CR	335
5WBR-30CR-5	172	6421-18-**-52	192, 354	6572-14-**-52	102	BRC-14ORB.....	335
5WSCR-18CR-1	173	6421-24-**-52	192, 354	6581-11-**-4	102	BRC-14SN	335
5WSCR-18CR-5	173	6421-28-**-52	354	6581-14-**-4	102	BRCPOSL-14-BZ-1	280
5WSCR-24CR-1	173	6421-32-**-52	354	6581-25SC-52	104	BRCPOSL-14-CR-1	280
5WSCR-24CR-5	173	6465-18-**-50	192	6581-28SC-52	104	BRCPOSL-14-SN-1	280
5WSCR-30CR-1	173	6465-24-**-50	192	6581-31SC-52	104	BRCSL-14NS-CR-1	286
5WSCR-30CR-5	173	6470-96-4008-26-52	389	6591-11-**-4	102	CA-LGORG-1	317
6000-05-7200-2-52	388	6471-18-**-52	354	6591-14-**-4	102	CA-NECKLACE-1.....	317
6000-07P-52.....	388	6471-24-**-52	354	6621-16-**-52	353	CA-SMORG-1	317
6000-37-52.....	388	6471-28-**-52	354	6621-18-**-52	353	CB-181207CR-*	306
6001-18-**-4	352	6471-32-**-52	354	6621-20-**-52	353	CB-181211CR-*	306
6001-20-**-4	352	6472-18-**-52	354	6621-24-**-52	353	CB-181218CR-*	306
6001-24-**-4	352	6472-24-**-4S	354	6621-28-**-52	353	CB-181407CR-*	306
6001-28-**-4	352	6472-24-**-52	354	6621-32-**-52	353	CB-181411CR-*	306
6012-18-**-52	352	6472-28-**-4S	354	6700-61-13-52.....	46	CB-181418CR-*	306
6012-20-**-52	352	6472-28-**-52	354	6700-61-17-52.....	46	CB-181607CR-*	306
6012-24-**-52	352	6472-32-**-4S	354	6700-61-18-52.....	46	CB-181611CR-*	306
6012-28-**-52	352	6472-32-**-52	354	6700-61-6.....	46	CB-181618CR-*	306
6013-18-**-526	352	65*1-10-4	105	6841-04-52.....	392	CB-182007CR-*	306
6013-20-**-526	352	65*1-10-5	105	6842-04-570.....	392	CB-182011CR-*	306
6020-04P-4.....	388	65*1-11-4	105	6842-31-**-570	90, 355	CB-18218CR-*	306
6020-04P-426.....	388	65*1-11-5	105	6842-33-**-570	90, 355	CB-241207CR-*	306
6020-04P-52.....	388	65*1-13-4	105	6842-39-**-570	90, 355	CB-241211CR-*	306
6020-96-3100-2.....	388	65*1-13-5	105	6881-31-**-52	90, 355	CB-241218CR-*	306
6020-96-3600-2.....	388	65*1-14-4	105	6881-33-**-52	90, 355	CB-241407CR-*	306
6022-04-426.....	388, 352	65*1-14-5	105	6881-39-**-52	90, 355	CB-241411CR-*	306
		65*1-16-4	105	6882-04-52.....	392	CB-241418CR-*	306

CB-241607CR*.....306	CBL-301411-B*.....309	CBSL-301417BZ*.....277	CRCSL-CR-1.....292
CB-241611CR*.....306	CBL-301411-T*.....310	CBSL-301417CR*.....277	CRCSL-SN-1.....292
CB-241618CR*.....306	CBL-301418-B*.....309	CBSL-301417SN*.....277	CROIBSL-14-SM-1.....295
CB-242007CR*.....306	CBL-301418-T*.....310	CBSR-12-CR.....334	CROIBSL-COVER-52.....295
CB-242011CR*.....306	CBL-301607-B*.....309	CBSR-12-ORB.....334	CRSL-96-BZ-1.....292
CB-242018CR*.....306	CBL-301607-T*.....310	CBSR-12-SN.....334	CRSL-96-CR-1.....292
CB-301207CR*.....306	CBL-301611-B*.....309	CBSR-14-CR.....334	CRSL-96-SN-1.....292
CB-301211CR*.....306	CBL-301611-T*.....310	CBSR-14-ORB.....334	CSFRSL-14-CR-1.....287
CB-301218CR*.....306	CBL-301618-B*.....309	CBSR-14-SN.....334	CSPD-14.....318
CB-301407CR*.....306	CBL-301618-T*.....310	CDR-21A-A.....221	CSPD-6.....318
CB-301411CR*.....306	CBL-301618-T*.....310	CDR-21C-A.....221	CSR-17CR-10.....319
CB-301418CR*.....306	CBL-301618-T*.....310	CDR-21W-A.....221	CSR-17ORB-10.....319
CB-301607CR*.....306	CBL-301618-T*.....310	CH-241419-RM-211.....265, 299	CSR-17SN-10.....319
CB-301611CR*.....306	CBL-301618-T*.....310	CH-241419-RM-217.....265, 299	CSR-23CR-10.....319
CB-301618CR*.....306	CBL-301618-T*.....310	CHBI-241418*.....308	CSR-23ORB-10.....319
CBL-181207-B*.....309	CBL-301618-T*.....310	CHBI-241618*.....308	CSR-23SN-10.....319
CBL-181207-T*.....310	CBL-301618-T*.....310	CHBI-242018*.....308	CSR-29CR-10.....319
CBL-181211-B*.....309	CBL-301618-T*.....310	CHBI-301418*.....308	CSR-29ORB-10.....319
CBL-181211-T*.....310	CBL-301618-T*.....310	CHBI-301618*.....308	CSR-29SN-10.....319
CBL-181218-B*.....309	CBL-301618-T*.....310	CHDSSL-8128-BZ-1.....297	CSR-35CR-10.....319
CBL-181218-T*.....310	CBL-301618-T*.....310	CHDSSL-8128-BZ-25.....297	CSR-35ORB-10.....319
CBL-181407-B*.....309	CBL-301618-T*.....310	CHDSSL-8128-SN-1.....297	CSR-35SN-10.....319
CBL-181407-T*.....310	CBL-301618-T*.....310	CHDSSL-8128-SN-25.....297	CSRSL-18BZ*.....291
CBL-181411-B*.....309	CBL-301618-T*.....310	CHDSSL-896-BZ-1.....297	CSRSL-18CR*.....291
CBL-181411-T*.....310	CBL-301618-T*.....310	CHDSSL-896-BZ-25.....297	CSRSL-18SC*.....291
CBL-181418-B*.....309	CBL-301618-T*.....310	CHDSSL-896-SN-1.....297	CSRSL-18SN*.....291
CBL-181418-T*.....310	CBL-301618-T*.....310	CHDSSL-896-SN-25.....297	CSRSL-24BZ*.....291
CBL-181607-B*.....309	CBL-301618-T*.....310	CHDSSL-9128-BZ-1.....297	CSRSL-24CR*.....291
CBL-181607-T*.....310	CBL-301618-T*.....310	CHDSSL-9128-BZ-25.....297	CSRSL-24SC*.....291
CBL-181611-B*.....309	CBL-301618-T*.....310	CHDSSL-9128-SN-1.....297	CSRSL-24SN*.....291
CBL-181611-T*.....310	CBL-301618-T*.....310	CHDSSL-9128-SN-25.....297	CSRSL-30BZ*.....291
CBL-181618-B*.....309	CBL-301618-T*.....310	CHDSSL-996-BZ-1.....297	CSRSL-30CR*.....291
CBL-181618-T*.....310	CBL-301618-T*.....310	CHDSSL-996-BZ-25.....297	CSRSL-30SC*.....291
CBL-182007-B*.....309	CBL-301618-T*.....310	CHDSSL-996-SN-1.....297	CSRSL-30SN*.....291
CBL-182007-T*.....310	CBL-301618-T*.....310	CHDSSL-996-SN-25.....297	CSRSL-36BZ*.....291
CBL-182011-B*.....309	CBL-301618-T*.....310	CIB-16CR.....325	CSRSL-36CR*.....291
CBL-182011-T*.....310	CBL-301618-T*.....310	CJD-2414.....316	CSRSL-36SC*.....291
CBL-182018-B*.....309	CBL-301618-T*.....310	CJD-24IN.....316	CSRSL-36SN*.....291
CBL-182018-T*.....310	CBL-301618-T*.....310	CJD-24IS.....316	CSSL-HK-BZ-1.....297
CBL-241207-B*.....309	CBL-301618-T*.....310	CJD-DMB-KIT.....316, 317	CSSL-HK-BZ-100.....297
CBL-241207-T*.....310	CBL-301618-T*.....310	CK-1117**1.....41, 43, 46, 57, 67	CSSL-HK-CR-1.....297
CBL-241211-B*.....309	CBL-301618-T*.....310	CKBSL-31-BZ-1.....297	CSSL-HK-CR-100.....297
CBL-241211-T*.....310	CBL-301618-T*.....310	CKBSL-31-BZ-25.....297	CSSL-HK-SC-1.....297
CBL-241218-B*.....309	CBL-301618-T*.....310	CKBSL-31-SN-1.....297	CSSL-HK-SC-100.....297
CBL-241218-T*.....310	CBL-301618-T*.....310	CKBSL-31-SN-25.....297	CSSL-HK-SN-1.....297
CBL-241407-B*.....309	CBL-301618-T*.....310	CLSZ-M1-1.....321	CSSL-HK-SN-100.....297
CBL-241407-T*.....310	CBL-301618-T*.....310	CLSZ-M3-55-1.....321	CSWBRSL-14-BZ-1.....282
CBL-241411-B*.....309	CBL-301618-T*.....310	CLSZ-M5-96-1.....321	CSWBRSL-14-CR-1.....282
CBL-241411-T*.....310	CBL-301618-T*.....310	CLSZ-W1-1.....321	CSWBRSL-14-SN-1.....282
CBL-241418-B*.....309	CBL-301618-T*.....310	CLSZ-W3-55-1.....321	CSWBRSL-14-SM-1.....295
CBL-241418-T*.....310	CBL-301618-T*.....310	CLSZ-W5-96-1.....321	CSWIBSL-14-SM-1.....295
CBL-241607-B*.....309	CBL-301618-T*.....310	CLVSL-BZ-1.....289	CSWIBSL-COVER-52.....295
CBL-241607-T*.....310	CBL-301618-T*.....310	CLVSL-CR-1.....289	CSWTRSL-14-BZ-1.....283
CBL-241611-B*.....309	CBL-301618-T*.....310	CLVSL-SN-1.....289	CSWTRSL-14-CR-1.....283
CBL-241611-T*.....310	CBL-301618-T*.....310	CM-1448-ORB-1.....323	CSWTRSL-14-SC-1.....283
CBL-241618-B*.....309	CBL-301618-T*.....310	CM-1448-SN-1.....323	CSWTRSL-14-SN-1.....283
CBL-241618-T*.....310	CBL-301618-T*.....310	CMSL-1424-SM-1.....293	CT-1*-10.....218
CBL-242007-B*.....309	CBL-301618-T*.....310	CMSL-1448-BZ-1.....293	CT-1*-52.....218
CBL-242007-T*.....310	CBL-301618-T*.....310	CMSL-1448-SM-1.....293	CT-2*-20.....218
CBL-242011-B*.....309	CBL-301618-T*.....310	CMTWSL-1448-SM-1.....293	CT-2*-52.....218
CBL-242011-T*.....310	CBL-301618-T*.....310	CP-BAGROLL-1.....41, 43, 57, 67	CT-3*-20.....218
CBL-242018-B*.....309	CBL-301618-T*.....310	CP-FILTER-1.....41, 43, 57, 67	CT-3*-52.....218
CBL-242018-T*.....310	CBL-301618-T*.....310	CPDR-1826.....322	CT-4*-10.....218
CBL-301207-B*.....309	CBL-301618-T*.....310	CPDR-2635.....322	CT-4*-52.....218
CBL-301207-T*.....310	CBL-301618-T*.....310	CPDR-3548.....322	CTMB-18*.....311
CBL-301211-B*.....309	CBL-301618-T*.....310	CPRF-16CR-52.....312	CTMB-24*.....311
CBL-301211-T*.....310	CBL-301618-T*.....310	CPRF-16ORB-52.....312	CTMB-30*.....311
CBL-301218-B*.....309	CBL-301618-T*.....310	CPRF-16SN-52.....312	CTOHB-16-I-1.....303
CBL-301218-T*.....310	CBL-301618-T*.....310	CPUIBSL-14-SM-1.....295	CTOHB-161319-CR-52.....302
CBL-301407-B*.....309	CBL-301618-T*.....310	CPUIBSL-COVER-52.....295	CTOHB-161319-ORB-52.....302
CBL-301407-T*.....310	CBL-301618-T*.....310	CRCSL-BZ-1.....292	CTOHB-161319-SN-52.....302

CTOHB-21-I-1.....	303	CWSTR-20-1.....	329	415, 419, 421, 437, 445, 449	L-LED-1EB-CBL-1.....	413
CTOHB-211319-CR-52.....	302	CWSTR-20-1-10.....	329	L-DC-SLELT60-1... 409, 411, 413,	L-LED-1EB-CNI-1.....	413
CTOHB-211319-ORB-52.....	302	CWTBR-14B-1.....	332	415, 419, 421, 437, 445, 449	L-LED-1EB-CWH-1.....	413
CTOHB-211319-SN-52.....	302	CWTR-2414-1.....	315	L-DCE30D-CON-1.....	L-LED-1EB-WBL-1.....	413
CTOHB-211319-ORB-52.....	302	CWTR-14-1.....	330	L-DCE30D-CON-1†409, 411, 413,	L-LED-1EB-WNI-1.....	413
CTOHB-211319-ORB-52.....	302	CWTR-14-1-10.....	330	415, 419, 421, 437, 445	L-LED-1EB-WWH-1.....	413
CTOHB-211319-ORB-52.....	302	CWTR-14B-1.....	330	L-DCE60D-CON-1.....	L-LED-AGLPR-1016CAL-1.....	425
CTOHB-211319-ORB-52.....	302	CWTR-14B-1-10.....	330	L-DCE60D-CON-1†..... 409, 411,	L-LED-AGLPR-1016WAL-1.....	425
CTOHB-211319-ORB-52.....	302	CWTR-14W-1.....	330	413, 415, 419, 421, 437, 445	L-LED-AGLPR-250CAL-1.....	425
CTOHB-211319-ORB-52.....	302	CWTR-14W-1-10.....	330	L-DSL06-1LZ-1.....	L-LED-AGLPR-250WAL-1.....	425
CTOHB-211319-ORB-52.....	302	CWTR-16-1.....	330	L-DVCL-153P-WH-1..... 453, 476	L-LED-AGLPR-406CAL-1.....	425
CTOHB-211319-ORB-52.....	302	CWTR-16-1-10.....	330	L-EUL-GTD-1.....	L-LED-AGLPR-406WAL-1.....	425
CTOHB-211319-ORB-52.....	302	CWTR-20-1.....	330	L-EUL-UCLP-1.....	L-LED-AGLPR-559WAL-1.....	425
CTOHB-211319-ORB-52.....	302	CWTR-20-1-10.....	330	L-EUL11W-806CAL-1.....	L-LED-AGLPR-711CAL-1.....	425
CTOHB-211319-ORB-52.....	302	DPS-PEG-4SS.....	211	L-EUL11W-806WAL-1.....	L-LED-AGLPR-711WAL-1.....	425
CTOHB-211319-ORB-52.....	302	GLD-CV14-1.....	298	L-EUL15W-1111CAL-1.....	L-LED-AGLPR-864WAL-1.....	425
CTOHB-211319-ORB-52.....	302	GLD-CV14B-1.....	298	L-EUL15W-1111WAL-1.....	L-LED-DIMCON-BL-1.....	462
CTOHB-211319-ORB-52.....	302	GLD-HK-2-**-5.....	121, 195	L-EUL3W-197CAL-1.....	L-LED-DIMCON-WH-1.....	462
CTOHB-211319-ORB-52.....	302	GLD-HK-2-ZC-5.....	121, 195	L-EUL3W-197WAL-1.....	L-LED-DIMRMT-12V8A-1.....	461
CTOHB-211319-ORB-52.....	302	GLD-HK-L-**-7.....	121, 195	L-EUL4W-273CAL-1.....	L-LED-DIMRMT-12V8A-U-1*.....	461
CTOHB-211319-ORB-52.....	302	GLD-HK-L-ZC-7.....	121, 195	L-EUL4W-273WAL-1.....	L-LED-FLXTPE-BRHO-1.....	432
CTOHB-211319-ORB-52.....	302	GLD-HK-S-**-7.....	121, 195	L-EUL7W-502CAL-1.....	L-LED-FLXTPE-BROLL-1.....	432
CTOHB-211319-ORB-52.....	302	GLD-HK-S-ZC-7.....	121, 195	L-EUL7W-502WAL-1.....	L-LED-FLXTPE-CRHO-1.....	432
CTOHB-211319-ORB-52.....	302	GLD-P22-SSW-5.....	121, 195	L-EULNK-120-WH-1.....	L-LED-FLXTPE-CROLL-1.....	432
CTOHB-211319-ORB-52.....	302	GLD-W14-BC-5.....	121, 195	L-EULNK-15-WH-1.....	L-LED-FLXTPE-DRHO-1.....	432
CTOHB-211319-ORB-52.....	302	GLD-W14-SC-5.....	121, 195	L-EULNK-180-WH-1.....	L-LED-FLXTPE-DROLL-1.....	432
CTOHB-211319-ORB-52.....	302	GLD-W16-BC-5.....	121, 195	L-EULNK-25-WH-1.....	L-LED-FLXTPE-DRHO-1.....	432
CTOHB-211319-ORB-52.....	302	GLD-W22-BC-7.....	121, 195	L-EULNK-60-WH-1.....	L-LED-FLXTPE-NRHO-1.....	432
CTOHB-211319-ORB-52.....	302	GLD-W22-BG-7.....	121, 195	L-EULNK-60-WH-1.....	L-LED-FLXTPE-NROLL-1.....	432
CTOHB-211319-ORB-52.....	302	GLD-W22-SC-7.....	121, 195	L-EXTBTB10-1.....	L-LED-FLXTPE-RRHO-1.....	432
CTOHB-211319-ORB-52.....	302	HPB-03323-52259, 260, 262, 300	HPRV-1520 S.....	L-FLXTPE-27RU-1.....	L-LED-FLXTPE-RROLL-1.....	432
CTOHB-211319-ORB-52.....	302	HPRV-1520 S.....	262	L-FLXTPE-30RH-1.....	L-LED-FLXTPE-WRHO-1.....	432
CTOHB-211319-ORB-52.....	302	HPRV-1925 S.....	301	L-FLXTPE-30RS-1.....	L-LED-FLXTPE-WROLL-1.....	432
CTOHB-211319-ORB-52.....	302	HPRV-1925DM S.....	301	L-FLXTPE-30RU-1.....	L-LED-LINKD-120-1.....	425, 468
CTOHB-211319-ORB-52.....	302	HRV-1215 S.....	263	L-FLXTPE-30RV-1.....	L-LED-LINKD-15-1.....	425, 468
CTOHB-211319-ORB-52.....	302	HRV-1220 S.....	263	L-FLXTPE-35RU-1.....	L-LED-LINKD-180-1.....	425, 468
CTOHB-211319-ORB-52.....	302	HRV-1515 S.....	263	L-FLXTPE-48RU-1.....	L-LED-LINKD-245-1.....	425, 468
CTOHB-211319-ORB-52.....	302	HRV-1520 S.....	263	L-FLXTPE-65RU-1.....	L-LED-LINKD-25-1.....	425, 468
CTOHB-211319-ORB-52.....	302	HRV-1520 S CR.....	263	L-FLXTPE-CRV-1.....	L-LED-LINKD-60-1.....	425, 468
CTOHB-211319-ORB-52.....	302	HRV-1520-LINER.....	263	L-FLXTPE-DRV-1.....	L-LED-LINKD-8-1.....	425, 468
CTOHB-211319-ORB-52.....	302	HUB-470X8.....	125, 266	L-FLXTPE-NRV-1.....	L-LED-OVLDS-**-**.....	460
CTOHB-211319-ORB-52.....	302	HURV-1512 S.....	125, 266	L-FLXTPE-WRV-1.....	L-LED-OVLMS-**-**.....	460
CTOHB-211319-ORB-52.....	302	IDRB-1.....	147, 177	L-FPOC-HWB-ADP-BL-1.....	L-LED-OVLPS-**-**.....	460
CTOHB-211319-ORB-52.....	302	JPE 301-12-020-1.....	392	L-FPOC-HWB-ADP-WH-1.....	L-LED-OVLTD-**-**.....	460
CTOHB-211319-ORB-52.....	302	JPE 301-34-0**-1.....	392	L-FPOC-LINKA-120-BL-1.....	L-LED-SMPLNK-120-1.....	421
CTOHB-211319-ORB-52.....	302	JPE 301-58-0**-1.....	392	L-FPOC-LINKA-120-WH-1.....	L-LED-SMPLNK-15-1.....	421
CTOHB-211319-ORB-52.....	302	L-12DCH60X1-1.....	452	L-FPOC-LINKA-120-WH-1.....	L-LED-SMPLNK-180-1.....	421
CTOHB-211319-ORB-52.....	302	L-12DCH60X3-1.....	452	L-FPOC-LINKA-180-BL-1.....	L-LED-SMPLNK-25-1.....	421
CTOHB-211319-ORB-52.....	302	L-16CL2-WH50-1.....	467, 469	L-FPOC-LINKA-180-WH-1.....	L-LED-SMPLNK-5-1.....	421
CTOHB-211319-ORB-52.....	302	L-1BRL5-1.....	471	L-FPOC-LINKA-25-BL-1.....	L-LED-SMPLNK-60-1.....	421
CTOHB-211319-ORB-52.....	302	L-24DCELT96-1.....	471	L-FPOC-LINKA-25-WH-1.....	L-LED-SMPMOT-1.....	421
CTOHB-211319-ORB-52.....	302	L-24DCH96X1-1.....	452, 471	L-FPOC-LINKA-60-BL-1.....	L-LED-SMPHOTO-1.....	421
CTOHB-211319-ORB-52.....	302	L-24DCH96X3-1.....	452, 471	L-FPOC-LINKA-60-WH-1.....	L-LED-SMPTD4-1.....	421
CTOHB-211319-ORB-52.....	302	L-24VDC3INADP-BL-1.....	471	L-HMSHDS-BL-1.....	L-LED-SQPR-1016CAL-1.....	425
CTOHB-211319-ORB-52.....	302	L-24VDC3INADP-WH-1.....	471	L-HMSHDS-NI-1.....	L-LED-SQPR-1016WAL-1.....	425
CTOHB-211319-ORB-52.....	302	L-CTCL-153P-WH-1.....	453, 476	L-HMSMCU-BL-1.....	L-LED-SQPR-250CAL-1.....	425
CTOHB-211319-ORB-52.....	302	L-DB1732-1.....	460, 469	L-HMSMS-BL-1.....	L-LED-SQPR-250WAL-1.....	425
CTOHB-211319-ORB-52.....	302	L-DC-ELT12-CON-1.....	409, 411,	L-HMSMS-NI-1.....	L-LED-SQPR-406WAL-1.....	425
CTOHB-211319-ORB-52.....	302	413, 415, 419, 421, 437, 445, 448	L-HMSTD-BL-1.....	L-HMSTD-BL-1.....	L-LED-SQPR-559CAL-1.....	425
CTOHB-211319-ORB-52.....	302	413, 415, 419, 421, 437, 445, 448	L-HMSTD-NI-1.....	L-HMSTD-NI-1.....	L-LED-SQPR-559WAL-1.....	425
CTOHB-211319-ORB-52.....	302	413, 415, 419, 421, 437, 445, 448	L-HREACH-CBL-1.....	L-HREACH-CBL-1.....	L-LED-SQPR-711WAL-1.....	425
CTOHB-211319-ORB-52.....	302	413, 415, 419, 421, 437, 445, 448	L-HREACH-CNI-1.....	L-HREACH-CNI-1.....	L-LED-SQPR-864CAL-1.....	425
CTOHB-211319-ORB-52.....	302	413, 415, 419, 421, 437, 445, 448	L-HREACH-WBL-1.....	L-HREACH-WBL-1.....	L-LED-SQPR-864WAL-1.....	425
CTOHB-211319-ORB-52.....	302	413, 415, 419, 421, 437, 445, 448	L-HREACH-WNI-1.....	L-HREACH-WNI-1.....	L-LED-STKDIM-TD4-1.....	419
CTOHB-211319-ORB-52.....	302	413, 415, 419, 421, 437, 445, 448	L-HTRICON-NI-1.....	L-HTRICON-NI-1.....	L-LED-STKLNK-120-1.....	419
CTOHB-211319-ORB-52.....	302	413, 415, 419, 421, 437, 445, 448	L-HTRISSET-1.....	L-HTRISSET-1.....	L-LED-STKLNK-15-1.....	419
CTOHB-211319-ORB-52.....	302	413, 415, 419, 421, 437, 445, 448	L-HUSB2-BLNI-1.....	L-HUSB2-BLNI-1.....	L-LED-STKLNK-180-1.....	419
CTOHB-211319-ORB-52.....	302	413, 415, 419, 421, 437, 445, 448	L-HWB-BL-T5-1.....	L-HWB-BL-T5-1.....	L-LED-STKLNK-25-1.....	419
CTOHB-211319-ORB-52.....	302	413, 415, 419, 421, 437, 445, 448	L-HWB-BL-T5-S-1.....	L-HWB-BL-T5-S-1.....	L-LED-STKLNK-5-1.....	419
CTOHB-211319-ORB-52.....	302	413, 415, 419, 421, 437, 445, 448	L-HWB-WH-T5-1.....	L-HWB-WH-T5-1.....	L-LED-STKLNK-60-1.....	419
CTOHB-211319-ORB-52.....	302	413, 415, 419, 421, 437, 445, 448	L-HWB-WH-T5-S-1.....	L-HWB-WH-T5-S-1.....	L-LED-TPELNK-120-1.....	433

L-LED-TPELNK-15-1433	L-MPOC-4W-120NL-WNI-1.....474	L-STKHO34-WNI-1419	L-XSQR-UCLP-1443
L-LED-TPELNK-180-1433	L-MPOC-4W-120NL-WWH-1...474	L-STKHO8-CNI-1419	L-XSQR72-**-1442
L-LED-TPELNK-25-1433	L-MPOC-PKT8-BL-1475	L-STKHO8-WNI-1419	L-XSQR72-SC-1442
L-LED-TPELNK-5-1433	L-MPOC-PKT8-WH-1475	L-TOOLKIT-1469	L-XSQR72-SC-**-1442
L-LED-TPELNK-60-1433	L-P1SCRWDR-1469	L-TPELED-27HER-1.....437	L-XSQR72-SC-**-1442
L-LED-TPELNK-CON90-1.....433	L-PINEXT-1468, 469	L-TPELED-27SER-1437	L-XSQR72-SC-**-1442
L-LED-TPELNK-TEE-1433	L-POC-3EQFR-CBL-1415	L-TPELED-27VER-1437	LD-0220-45-40106
L-LED-TPEPKT-2M-1433	L-POC-3EQFR-CNI-1415	L-TPELED-30HER-1437	LD-0220-50SC-40.....106
L-LED-TPEPKT-2M-TEE-1433	L-POC-3EQFR-WBL-1.....415	L-TPELED-30SER-1437	LD-0220-50SCFO-40106
L-LED-WCON-BL-1467, 469	L-POC-3EQFR-WNI-1415	L-TPELED-35HER-1.....437	LD-20-04-5342
L-LED-WCON-WH-1.....467, 469	L-POC-3LEDSFR-CAB-1409	L-TPELED-35SER-1437	LD-20-0431-5342, 343, 391
L-LPOC-3W-120L-CBL-1474	L-POC-3LEDSFR-CBL-1409	L-TPELED-35VER-1437	LD-20-0436-5342
L-LPOC-3W-120L-CNI-1474	L-POC-3LEDSFR-CCH-1409	L-TPELED-48HER-1.....437	LD-2001-18-**-10.....342
L-LPOC-3W-120L-CWH-1.....474	L-POC-3LEDSFR-CNI-1409	L-TPELED-48SER-1437	LD-2001-24-**-10.....342
L-LPOC-3W-120L-WBL-1474	L-POC-3LEDSFR-CWH-1409	L-TPELED-48VER-1437	LD-2001-28-**-10.....342
L-LPOC-3W-120L-WNI-1474	L-POC-3LEDSFR-WAB-1.....409	L-TPELED-65HER-1.....437	LD-2001-32-**-10.....342
L-LPOC-3W-120L-WWH-1.....474	L-POC-3LEDSFR-WBL-1409	L-TPELED-65SER-1437	LD-2061-18BM**-1342
L-LPOC-3W-120NL-CBL-1474	L-POC-3LEDSFR-WCH-1409	L-TPELED-65VER-1437	LD-2061-24BM**-1342
L-LPOC-3W-120NL-CNI-1474	L-POC-3LEDSFR-WNI-1409	L-TPELNK-BTB-1433	LD-2061-28BM**-1342
L-LPOC-3W-120NL-CWH-1...474	L-POC-3LEDSFR-WORB-1.....409	L-TPEPKT-2IN-1.....433	LD-2061-32BM**-1342
L-LPOC-3W-120NL-WBL-1...474	L-POC-3LEDSFR-WWH-1409	L-TRANS-MNT-BL-1448, 449,	LD-2062-18-**-1342
L-LPOC-3W-120NL-WNI-1...474	L-POC-5LEDSCL-CBL-1411	450, 451, 469	LD-2062-18BM**-1342
L-LPOC-3W-120NL-WWH-1.474	L-POC-5LEDSCL-CNI-1411	L-TRS5-UCLP-M-1478	LD-2062-24-**-1342
L-LPOC-3WA-CBL-1475	L-POC-5LEDSCL-CWH-1411	L-TS2-72-1461, 476	LD-2062-24BM**-1342
L-LPOC-3WA-CNI-1475	L-POC-5LEDSCL-WBL-1411	L-VHBTPE-1134-1468, 469	LD-2062-28-**-1342
L-LPOC-3WA-CWH-1475	L-POC-5LEDSCL-WNI-1411	L-WCLP-WH-1.....469	LD-2062-28BM**-1342
L-LPOC-3WA-WBL-1475	L-POC-5LEDSCL-WORB-1.....411	L-WLD-1REC-1454, 455, 456, 457	LD-2062-32-**-1342
L-LPOC-3WA-WNI-1475	L-POC-5LEDSCL-WWH-1.....411	L-WLD-1RND-BL-1456	LD-2062-32BM**-1342
L-LPOC-3WA-WWH-1475	L-RDSW-1M-120-BL-1.....475	L-WLD-1RND-NI-1456	LD-2063-1836-**-1.....342
L-LT5-HWBADP**-1478	L-RDSW-1M-120-WH-1.....475	L-WLD-1WAL**-1455	LD-20BM1-04-10.....342
L-LT5-LNK120-BL-1478	L-RDSW-1M-BL-1462	L-WLD-2WAL**-1455	LD-20BM2-04-5.....342
L-LT5-LNK120-WH-1478	L-RDSW-1M-WH-1462	L-WLD-3RMT-BL-1457	LD-22-04-5343
L-LT5-LNK15-BL-1478	L-RDSW-2M-120-BL-1.....475	L-WLD-6RMT-BL-1457	LD-2201-32-**-10.....343
L-LT5-LNK15-WH-1478	L-RDSW-2M-120-WH-1.....475	L-WLDS-BL-1459	LD-2261-32BM**-1343
L-LT5-LNK180-BL-1478	L-RDSW-2M-BL-1462	L-WLDS-NI-1459	LD-2262-32-**-1343
L-LT5-LNK180-WH-1478	L-RDSW-2M-WH-1462	L-WLDSREC-1458	LD-2262-32BM**-1343
L-LT5-LNK25-BL-1478	L-SMPHO12-CNI-1421	L-WM5-BL-1467	LD-22BM1-04-10.....343
L-LT5-LNK25-WH-1478	L-SMPHO12-WNI-1421	L-WM5-BR-1467	LD-22BM2-04-5.....343
L-LT5-LNK60-BL-1478	L-SMPHO22-CNI-1421	L-WM5-WH-1467	LD-24-04-5343, 391
L-LT5-LNK60-WH-1478	L-SMPHO22-WNI-1421	L-X72-DBF-1.....442	LD-24-0436-5343, 391
L-LT514W-904C*-5478	L-SMPHO8-CNI-1421	L-X72-DIFF-CL-1442	LD-2401-18-**-10.....343
L-LT514W-904D*-5478	L-SMPHO8-WNI-1421	L-X72-DIFF-FR-1442	LD-2401-24-**-10.....343
L-LT514W-904W*-5478	L-SMR-2LED-BL-1415	L-X72-DIFF-MLK-1442	LD-2401-28-**-10.....343
L-LT518W-1204C*-5478	L-SMR-2LED-NI-1415	L-XANG72-**-1442	LD-2401-32-**-10.....343
L-LT518W-1204D*-5478	L-SP15WA-30K-1471	L-XANG72-SC-1.....442	LD-2472-18-**-1343
L-LT518W-1204W*-5478	L-SP15WA-40K-1471	L-XANG72-SC-1.....442	LD-2472-18BM**-1343
L-LT525W-1504C*-5478	L-SP15WA-50K-1471	L-XANG72-SC-1.....442	LD-2472-24-**-1343
L-LT525W-1504D*-5478	L-SP15WA-65K-1471	L-XCRV72-**-1442	LD-2472-24BM**-1343
L-LT525W-1504W*-5478	L-SP3TCS-1471	L-XCRV72-SC-1442	LD-2472-28-**-1343
L-LT53W-267C*-5478	L-SP6TCS471	L-XCRVECP**-1442	LD-2472-28BM**-1343
L-LT53W-267D*-5478	L-SP8WA-30K-1471	L-XCRVECP-GY-1442	LD-2472-32-**-1343
L-LT53W-267W*-5.....478	L-SP8WA-40K-1471	L-XFL72-SC-1442	LD-2472-32BM**-1343
L-LT54W-343C*-5.....478	L-SP8WA-50K-1471	L-XLNK-120-**-1443	LD-2473-1836-**-1.....343
L-LT54W-343D*-5478	L-SP8WA-65K-1471	L-XLNK-15-**-1443	LD-24BM1-04-10.....343, 391
L-LT54W-343W*-5.....478	L-SP90BTB4-1471	L-XLNK-180-**-1443	LD-24BM2-04-5.....343, 391
L-LT57W-571C*-5478	L-SPBTB10-1471	L-XLNK-25-**-1443	LD-29-04-18-5342
L-LT57W-571D*-5478	L-SPEXT-1M-1471	L-XLNK-60-**-1443	LD-29-04-5342
L-LT57W-571W*-5.....478	L-SPEXT-2M-1471	L-XPKT-2IN-BL-1443	LD-2901-18-**-10.....342
L-MALE-AMP468	L-SPEXT-3M-1471	L-XPKT-2IN-WH-1443	LD-2901-24-**-10.....342
L-MALE-AMP-10-1.....469	L-SPLNK120-1471	L-XPKT-2M-BL-1443	LD-2901-28-**-10.....342
L-MFSCRWDR-1469	L-SPLNK25-1471	L-XPKT-2M-WH-1443	LD-2942-18-**-1342
L-MPOC-4W-120L-CBL-1.....474	L-SPLNK60-1471	L-XREC72-BL-1442	LD-2942-24-**-1342
L-MPOC-4W-120L-CNI-1474	L-SPLNK8-1471	L-XREC72-SC-1442	LD-2942-28-**-1342
L-MPOC-4W-120L-CWH-1474	L-SPPKT-1M-1471	L-XRECECP-BL-1442	LD-4BW-001-18SB-1362
L-MPOC-4W-120L-WBL-1.....474	L-SPPKT-305MM-1471	L-XRECECP-GY-1442	LD-4BW-001-18SB-8362
L-MPOC-4W-120L-WNI-1.....474	L-SPPKT-3M-1471	L-XRM42-155-1443	LD-4BW-001-20SB-1362
L-MPOC-4W-120L-WWH-1474	L-STKHO12-CNI-1419	L-XRND-UCLP-1.....443	LD-4BW-001-20SB-8362
L-MPOC-4W-120NL-CBL-1474	L-STKHO12-WNI-1419	L-XRND72-BL-1442	LD-4BW-001-24SB-1362
L-MPOC-4W-120NL-CNI-1.....474	L-STKHO22-CNI-1419	L-XRND72-SC-1442	LD-4BW-001-24SB-8362
L-MPOC-4W-120NL-CWH-1474	L-STKHO22-WNI-1419	L-XRNDECP-BL-1442	LD-4BW-001-28SB-1362
L-MPOC-4W-120NL-WBL-1474	L-STKHO34-CNI-1419	L-XRNDECP-GY-1442	LD-4BW-001-28SB-8362

LD-4BW-001-32SB-1.....362	LD-4NW-201-20TBS-6.....377	RAS-FD-KIT.....223	SBDT-3336-OG-1.....97
LD-4BW-001-32SB-8.....362	LD-4NW-201-28BS-1.....377	RAS-FDSM-DM15-1.....222	SBDT-3336-S-1.....97
LD-4BW-004-10.....362, 391	LD-4NW-201-28BS-8.....377	RAS-LGFD-52.....223	SBDT-3336-S-12.....97
LD-4BW-004-4.....362, 391	LD-4NW-201-32BS-1.....377	RAS-ML-HDCR.....169	SBDT-3942-A-1.....97
LD-4BW-00436-4.....362, 391	LD-4NW-201-32BS-8.....377	RAS-ML-HDSC.....169	SBDT-3942-A-12.....97
LD-4BW-004BM1-8.....362, 391	LD-4NW-201-32TBS-6.....377	RAS-ML-HDSCOG.....169	SBDT-3942-OG-1.....97
LD-4BW-004BM2-4.....362, 391	LD-4NW-241-20-8.....377	RAS-SMFD-52.....223	SBDT-3942-S-1.....97
LD-4BW-041-18-8.....362	LD-4NW-241-20T-6.....377	RAS-VIB-COVER-52.....253, 325	SBDT-3942-S-12.....97
LD-4BW-041-20-8.....362	LD-4NW-241-28-8.....377	RL-201-1.....98	SBVDT-2124-A-1.....273
LD-4BW-041-24-8.....362	LD-4NW-241-32-8.....377	RL-202-1.....98	SBVDT-2124-A-12.....273
LD-4BW-041-28-8.....362	LD-4NW-241-32T-6.....377	RV DM KIT.....41, 43, 47, 125, 262, 263, 266, 271	SBVDT-2124-S-1.....273
LD-4BW-041-32-8.....362	LD-4NW-272-20-1.....377	RV DM17 KIT.....44, 47, 262, 263, 266	SBVDT-2124-S-12.....273
LD-4BW-062-18-1.....362	LD-4NW-272-28-1.....377	RV-1024-13-10.....46	SBVDT-2730-A-1.....273
LD-4BW-062-20-1.....362	LD-4NW-272-32-1.....377	RV-1024-17-10.....46	SBVDT-2730-A-12.....273
LD-4BW-062-24-1.....362	LD-4NW-401-28BS-1.....378	RV-1024-18-10.....46	SBVDT-2730-S-1.....273
LD-4BW-062-28-1.....362	LD-4NW-401-28BS-8.....378	RV-1024W.....46	SBVDT-3336-A-1.....273
LD-4BW-062-32-1.....362	LD-4NW-401-28TBS-1.....378	RV-1216-CK**-1.....41, 43	SBVDT-3336-A-12.....273
LD-4BW-063-1836-1.....362	LD-4NW-401-28TBS-6.....378	RV-12KD-17C S.....44	SBVDT-3336-S-1.....273
LD-4BW-063-2036-1.....362	LD-4NW-401-32BS-1.....378	RV-12KD-18C S.....44	SBVDT-3336-S-12.....273
LD-4BW-201-20SBS-1.....363	LD-4NW-401-32BS-8.....378	RV-12KD-CK**-S.....41, 44	SHR-3684.....326
LD-4BW-201-20SBS-8.....363	LD-4NW-401-32TBS-1.....378	RV-12PB.....43	ST-97**-4.....101, 233
LD-4BW-201-28SBS-1.....363	LD-4NW-401-32TBS-6.....378	RV-12PB S.....43	ST50-21*-12.....220
LD-4BW-201-28SBS-8.....363	LD-4NW-404-36-4.....377, 378	RV-12PB-50.....43	ST50-21*-52.....220
LD-4BW-201-32SBS-1.....363	LD-4NW-404-4.....377, 378	RV-12PB-50 S.....43	TBC-14TCR.....336
LD-4BW-201-32SBS-8.....363	LD-4NW-404T-3.....377, 378	RV-12PB-L.....43	TRC-12CR.....333
LD-4BW-204-4.....363, 391	LD-4NW-441-18-8.....378	RV-12PB-LE.....43	TRC-12NS-CR.....336
LD-4BW-20436-4.....363, 391	LD-4NW-441-28-8.....378	RV-14PB S.....43, 271	TRC-12NS-ORB.....336
LD-4BW-204BM1-8.....363, 391	LD-4NW-441-28T-6.....378	RV-15KD-17C S.....44	TRC-12NS-SN.....336
LD-4BW-204BM2-4.....363, 391	LD-4NW-441-32-8.....378	RV-15KD-18C S.....44	TRC-12ORB.....333
LD-4BW-241-20-8.....363	LD-4NW-441-32T-6.....378	RV-15PB-2 S.....43	TRC-12SN.....333
LD-4BW-241-28-8.....363	LD-4NW-441-32T-6.....378	RV-18KD-17C S.....44	TRC-14CR.....333
LD-4BW-241-32-8.....363	LD-4NW-472-18-1.....378	RV-18KD-18C S.....44	TRC-14ORB.....333
LD-4BW-262-20-1.....363	LD-4NW-472-28-1.....378	RV-18PB-1.....43	TRC-14SN.....333
LD-4BW-262-28-1.....363	LD-4NW-472-32-1.....378	RV-18PB-2 S.....43	TRC-145N.....333
LD-4BW-262-32-1.....363	LD-4NW-882-32-1.....89, 376	RV-20-6.....46	TRCPOSL-14-BZ-1.....281
LD-4BW-263-2036-1.....363	LD-4NW-882-35-1.....89, 376	RV-35-12-8.....46	TRCPOSL-14-CR-1.....281
LD-4BW-401-28SBS-1.....363	LD-4NW-882-38-1.....89, 376	RV-35-13-8.....46	TRCPOSL-14-SN-1.....281
LD-4BW-401-28SBS-8.....364	LD-4NW-901-28-8.....376	RV-35-17-8.....46	TRCSL-14NS-CR-1.....286
LD-4BW-401-32SBS-1.....363	LD-4NW-942-28-1.....376	RV-35-18-8.....46	TWCSC-1550DM-1.....54
LD-4BW-401-32SBS-8.....364	LD-4WLS940-04-28-4.....376	RV-35-8.....46	TWCSC-15DM-1.....54
LD-4BW-404-4.....391	LD-597-12CR-1.....122	RV-35-LID-1.....45	TWCSC-15DM-2.....54
LD-4BW-441-24-8.....364	LD-597-12CR-10.....122	RV-35-LID-12-1.....45	TWCSC-1850DM-2.....54
LD-4BW-441-28-8.....364	LD-597-18CR-1.....122	RV-35-LID-13-1.....45	TWCSC-18DM-2.....54
LD-4BW-441-32-8.....364	LD-597-18CR-10.....122	RV-35-LID-17-1.....45	TWCSC-2150DM-2.....54
LD-4BW-472-24-1.....363	LD-6591-22**-1.....100	RV-35-LID-18-1.....45	TWCSC-21DM-2.....54
LD-4BW-472-28-1.....363	LD-6591-22**-10.....100	RV-35-LID-G-1.....45	TWCSD-1550DM-1.....54
LD-4BW-472-32-1.....363	LD-6591-24**-1.....100	RV-50-12-8.....46	TWCSD-15DM-1.....54
LD-4BW-941-28-8.....362	LD-6591-24**-10.....100	RV-50-13-8.....46	TWCSD-1850DM-2.....54
LD-4BW-942-28-1.....362	LD-6591-30**-1.....100	RV-50-17-8.....46	TWCSD-18DM-2.....54
LD-4NW-001-18B-1.....376	LD-6591-30**-10.....100	RV-50-8.....46	TWCSD-2150DM-2.....54
LD-4NW-001-18B-8.....376	ML-MPHDSCCR-18.....169	RV-50-LID-1.....45	TWCSD-21DM-2.....54
LD-4NW-001-24B-1.....376	ML-WNHDSCOG-18FL.....169	RV-50-LID-12-1.....45	UT-10*-10.....219
LD-4NW-001-24B-8.....376	NLSL-KM-28S-7.....383	RV-50-LID-13-1.....45	UT-10*-52.....219
LD-4NW-001-28B-1.....376	NLSL-KM-32S-7.....383	RV-50-LID-17-1.....45	UT-12*-20.....219
LD-4NW-001-28B-8.....376	PSC-1814CR.....313	RV-50-LID-18-1.....45	UT-12*-52.....219
LD-4NW-001-32B-1.....376	PSC-2414CR.....313	RV-814PB.....43, 271	UT-15*-20.....219
LD-4NW-001-32B-8.....376	PSC-3014CR.....313	RV-9PB.....43	UT-15*-52.....219
LD-4NW-004-4.....376	PSCSL-1814SC-BZ-1.....290	RV-9PB S.....43	UT-18*-10.....219
LD-4NW-041-18-8.....376	PSCSL-1814SC-SC-1.....290	RV-DM-FDKIT.....223	UT-18*-52.....219
LD-4NW-041-24-8.....376	PSCSL-1814SC-SN-1.....290	SBDT-2730-A-1.....97	VIB-20CR.....253, 325
LD-4NW-041-28-8.....376	PSCSL-2414SC-BZ-1.....290	SBDT-2730-OG-1.....97	VL-9PB.....43
LD-4NW-041-32-8.....376	PSCSL-2414SC-SC-1.....290	SBDT-2730-S-1.....97	WC-8-1711-1.....46
LD-4NW-0436-1.....376	PSCSL-2414SC-SN-1.....290	SBDT-2730-S-12.....97	WC-8-1719-1.....46
LD-4NW-072-18-1.....376, 377	PSCSL-3014SC-BZ-1.....290	SBDT-3336-A-1.....97	
LD-4NW-072-24-1.....376, 377	PSCSL-3014SC-SC-1.....290	SBDT-3336-A-12.....97	
LD-4NW-072-28-1.....376	PSCSL-3014SC-SN-1.....290	SBDT-3336-S-1.....97	
LD-4NW-072-32-1.....376	RAL-101-1.....98	SBDT-3336-S-12.....97	
LD-4NW-073-1836-1.....376	RAS 305-12-0**-1.....392		
LD-4NW-201-20BS-1.....377	RAS 305-34-0**-1.....392		
LD-4NW-201-20BS-8.....377	RAS 305-58-0**-1.....392		
	RAS-CIB-COVER-R-52.....325		



KITCHEN DEALER PROGRAM

Rev-A-Shelf's Kitchen Dealer Program is the perfect solution for cabinet shops and designers. Our program binder is designed to help you add value with Rev-A-Shelf products to all of your kitchen projects. Members are sent quarterly updates on the latest innovations from Rev-A-Shelf. Ask your authorized distributor to sign you up today!



DISPLAY PROGRAM

Our complete line of cabinet storage organizing accessories boast distinct advantages in strength, design, ease of installation and aesthetics that can only be sold effectively through working displays. Many of our customers experience great results by installing products in kitchen dealer, custom shops and home center kitchen and bath displays. We also have floor displays and salesman samples available that can further serve as effective tools.

Our Program: A 50% discount is available to you, the distributor, for each display product unit placed in a showroom or display unit placed in a showroom or display fixture. Verification of installment to claim the rebate should be handled through your Rev-A-Shelf representative on a monthly basis. Proper documentation with contact info must be provided for each discounted product.

PROP 65 FOR CALIFORNIA RESIDENTS

The safety of our customers and employees is of highest priority for Rev-A-Shelf. We want to assure you of our 30 + year commitment to offering among the highest quality and safest products in the industry. Rev-A-Shelf has always abided by state and federal regulations. California voters approved Proposition 65 in 1986, creating the Safe Drinking Water and Toxic Enforcement Act. Despite differing opinions about recent California label requirements with this California law, Rev-A-Shelf must honor these compliance regulations.

Most importantly, we promise to also honor the trust you have placed in us with your purchase or possible purchase of our products. We will honor your trust by offering organizational products of enduring quality, lasting beauty and uncompromising safety to you and your family.

DISCLAIMER

Rev-A-Shelf makes every effort to verify and ensure that our product specifications are correct and up to date. We reserve the right to make engineering changes that affect any critical product dimension without notice. Rev-A-Shelf shall not be held liable for any cost related to such a change, misprint, instruction, or product template error.

WARRANTY

ALL Rev-A-Shelf® PRODUCTS ARE WARRANTED TO BE FREE FROM DEFECTS IN MATERIAL AND WORKMANSHIP.

THE FOREGOING WARRANTY IS IN LIEU OF AND EXCLUDES ALL OTHER WARRANTIES NOT EXPRESSLY SET FORTH HEREIN, WHETHER EXPRESSED, IMPLIED BY OPERATION OF LAW, OR OTHERWISE, INCLUDING BUT NOT LIMITED TO ANY IMPLIED WARRANTIES OR MERCHANTABILITY OR FITNESS.

Rev-A-Shelf® shall not be liable for incidental or consequential losses, damages or expenses, directly or indirectly arising from the sale, handling, storage or use of the products, or from

any other cause relating directly or indirectly thereto, and Rev-A-Shelf's liability in any case is expressly limited to the replacement (in the form originally shipped) of non-complying products, or, at Rev-A-Shelf's selection, to the repayment of, or crediting Buyer with, an amount equal to the purchase price of such products, whether such claims are for breach of warranty, negligence or otherwise. If the limitation of liability provided herein shall fail of its essential purpose,

Rev-A-Shelf's total liability for any damages shall in no event exceed the total of ten times the retail price of the product. Any action for damage must be commenced after the accrual of the cause of action.

Any claimed defect in material or workmanship shall be deemed waived by Buyer unless submitted to Rev-A-Shelf® in writing within thirty (30) days from the date it was purchased.

Rev-A-Shelf® shall have the right to require Buyer, at its expense, to return to designated factory for inspection or repair any product claimed to be defective. The determination of Rev-A-Shelf® as to the existence of a valid claim for replacement, repair, exchange or damages, under this warranty or otherwise, shall be conclusive. Replacement parts shall be furnished F.O.B. factory. Buyer shall assume the labor and delivery costs in removing and replacing a defective product. Any product or material modified, changed, enhanced or used for anything other than its original installation intention according to the instructions will be nullified under the warranty. Any product returned with production code labels or stamps removed will also automatically be nullified under the warranty terms.



WE ARE HONORED!

Rev-A-Shelf is a proud sponsor of the nonprofit organization, Homes for Our Troops, which builds specially adapted, mortgage-free homes nationwide for the most severely injured Veterans of Post 9/11, to enable them to rebuild their lives. During the three year partnership, Rev-A-Shelf will work with Homes for Our Troops' Veterans and general contractors to furnish all homes with cabinet storage and organization accessories, providing optimal accessibility for home recipients. "We are honored to participate in this program to supports our nation's brave service members," said David Noe, general manager of Rev-A-Shelf, LLC. "Homes for Our Troops is doing an excellent service for America's injured Veterans, and we are proud to partner with this wonderful organization."

(HFOT) is a privately funded 501(c) (3) nonprofit organization that builds specially adapted, mortgage-free homes nationwide for the most severely injured Veterans from Iraq and Afghanistan. Most of these Veterans have sustained life-altering injuries including multiple limb amputations, partial or full paralysis, and/or severe traumatic brain injury (TBI). These homes restore some of the freedom and independence our Veterans sacrificed while defending our country, and enable them to focus on their family, recovery, and rebuilding their lives. Since its founding in 2004, nearly 90 cents of every dollar donated to HFOT has gone directly to our program services for Veterans. HFOT builds these homes where the Veteran chooses to live, and continues its relationship with the Veterans after home delivery to assist them with rebuilding their lives. For more information about Rev-A-Shelf's partnership with Homes for Our Troops, visit www.hfotusa.org.