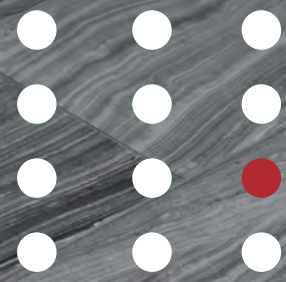


VANITY

20/21.



445VB Series

Vanity Outlet Grooming Organizer Pullout



- Designed for face frame 12" full-height vanity 1-3/4", 1-1/2" and 1-5/8" cabinets
- Natural maple construction with semi-gloss finish
- (2) shelves with acrylic accents
- Full-extension, TANDEM, 110 lb. rated slides with BLUMOTION soft-close
- Patent-pending foldable slide set for easy installation
- Mounts to cabinet door, floor and side
- Patented door mount brackets with micro-adjustment (US Patent No. 8,388,076)
- Non-skid vinyl lining
- (2) removable stainless-steel bins
- In-drawer receptacle with (2) 120V plugs
- Tamper-resistant outlets
- Max Current: AC: 12 amps @ 120VAC; USB 2.1 amp & 5 VDC
- UL Recognized to UL962/CSA-C22.2 no. 0-10
- Power cord with NEMA 5 - 15 plug
- Integrated cord guide ensures safe operation
- Drawer stop prevents items from being stored "ON" inside the cabinet
- Its end-use determines the overall safety of this product
- TSCA Title VI compliant



445VBOSC-8C



445VBOSC-8C
Outlet Grooming Organizer



Vanity Solutions

Face Frame Vanity Outlet Grooming Organizer Pullout w/ BLUMOTION Soft-Close

| PRODUCT | DESCRIPTION | DIMS | MCO | CAB | FINISH | SLP |
|-------------|--------------------|--|-------------|--------|--------|--------|
| 445VBOSC-8C | Grooming Organizer | 9-5/16" (236 mm) W x 19-3/4" (501 mm) D x 26-1/4" (667 mm) H | 9" (227 mm) | FHVB12 | Maple | 687.45 |

Vanity Outlet Drawer

4VOD Series



- Designed for 18" base cabinet drawers
- Natural maple construction with semi-gloss finish
- (2) compartments
- (2) Stainless-steel bins
- Full-extension, TANDEM, 110 lb. rated, concealed slides with BLUMOTION soft-close
- In-drawer receptacle with (2) 120V plugs
- Tamper resistant outlets
- Max Current: AC: 12 amps @ 120VAC; USB 2.1 amp & 5 VDC
- UL Recognized to UL962/CSA-C22.2 No. 0-10
- Power cord with NEMA 5 - 15 plug
- Integrated cord guide ensures safe operation
- Door mounting brackets
- Anti-skid lining
- Drawer front (NOT) included
- The overall safety of this product is determined by its end use
- TSCA Title VI compliant

4VOD-18SC-1



4VOD-18SC-1 & 4VOD-18FLSC-1
Vanity Outlet Drawer



For video visit:
rev-a-shelf.com/videos

Full Access Vanity Outlet Drawer w/ BLUMOTION Soft-Close

| PRODUCT | DESCRIPTION | DIMS | MCO | CAB | FINISH | SLP |
|---------------|----------------------|---|------------------|--------|--------|----------|
| 4VOD-18FLSC-1 | Vanity Outlet Drawer | 16-1/2" (419 mm) W x 20-1/8" (511 mm) D x 8-15/16" (227 mm) H | 16-1/2" (419 mm) | FLVB18 | Maple | \$232.55 |

Face Frame Vanity Outlet Drawer w/ BLUMOTION Soft-Close

| | | | | | | |
|-------------|----------------------|---|--------------|------|-------|----------|
| 4VOD-18SC-1 | Vanity Outlet Drawer | 15" (381 mm) W x 20-1/8" (511 mm) D x 8-15/16" (227 mm) H | 15" (381 mm) | VB18 | Maple | \$229.90 |
|-------------|----------------------|---|--------------|------|-------|----------|

- Designed for 22" or smaller vanity cabinet drawers
- Natural maple construction with semi-gloss finish
- Trim-to-fit existing drawer
- Drop-in installation
- Anti-skid vinyl lining
- Up to (13) compartments
- (2) clear acrylic lids
- TSCA Title VI compliant



4VCOS-22-1



4VCOS-22-1
Vanity Drawer Organizer Insert



For video visit:
rev-a-shelf.com/videos

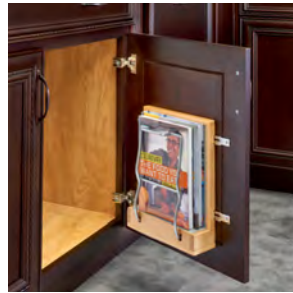
22" Vanity Drawer Organizer Insert

| PRODUCT | DESCRIPTION | DIMS | FINISH | SLP |
|------------|-------------------------|--|--------|----------|
| 4VCOS-22-1 | Vanity Drawer Organizer | 21-3/4" (552 mm) W x 21-1/8" (536 mm) D x 2" (53 mm) H | Maple | \$134.70 |



- Designed for 15" vanity base cabinets
- Scale clip holds a min. thickness of 0.8" to 2.0" max.
- Natural maple frame with semi-gloss finish
- Torsion spring with non-skid coating
- Patented adjustable door mounting brackets (US Patent No. 7,204,569)
- TSCA Title VI compliant

4SH-15-1



Can be used for a multitude of things such as cutting boards, cook books and more.

4SH-15-1
Scale Holder



For video visit:
rev-a-shelf.com/videos

Scale Holder

| PRODUCT | DESCRIPTION | DIMS | MCO | CAB | FINISH | SLP |
|----------|--------------|--|--------------|------|--------------|---------|
| 4SH-15-1 | Scale Holder | 10-1/2" (266 mm) W x 3-5/8" (91 mm) D x 12-1/2" (318 mm) H | 12" (305 mm) | VB15 | Chrome/Maple | \$58.40 |

- Designed for 30" vanity base (butt door) cabinets
- Natural maple frame with semi-gloss finish
- Mounts to cabinet door
- Non-skid lining on lower level shelf
- (2) 1.25 qt. stainless steel bins
- Patented adjustable mounting brackets (US Patent No. 7,204,569)
- TSCA Title VI compliant



4HD-15-1



4HD-15-1

Vanity Appliance Storage Rack



For video visit:
rev-a-shelf.com/videos

Vanity Appliance Storage Rack

| PRODUCT | DESCRIPTION | DIMS | MCO | CAB | FINISH | SLP |
|----------|--------------|---|------------------|-----------|--------|---------|
| 4HD-15-1 | Storage Rack | 10-3/4" (273 mm) W x 6" (152 mm) D x 13-7/8" (352 mm) H | 12-3/8" (314 mm) | SB30 Butt | Maple | \$47.95 |

Pullout Ironing Board

VIB Series



- Designed for 14-1/2" to 21" vanity cabinet drawer openings
- Complete drawer system, just add your drawer front
- Chrome-plated metal frame
- Over-extension, ball-bearing, 150 lb. rated slides
- Mounts to cabinet side and rear wall
- Built-in ironing board

VIB-20CR

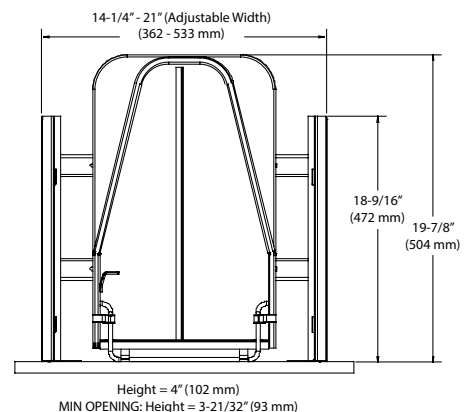


Solid surface counter overlays
CANNOT exceed 1-1/4"



VIB-20CR
Vanity Pullout Ironing Board

See page 324 for Closet version



Vanity
Solutions

NOTE: Not Compatible with inset cabinetry

Vanity Pullout Ironing Board

| PRODUCT | DESCRIPTION | DIMS | MCO | CAB | FINISH | SLP |
|------------------|-----------------------|---|------------------|------|--------|----------|
| VIB-20CR | Pullout Ironing Board | See drawings for detailed specifications. | 14-1/4" (362 mm) | VB18 | Chrome | \$276.35 |
| RAS-VIB-COVER-52 | Replacement Cover | | | | Silver | \$22.00 |



- Designed for 12", 15" and 18" vanity base cabinet drawers
- Complete drawer system, just add your drawer front
- Easy installation
- Natural maple construction with semi-gloss finish
- Full-extension, TANDEM, 110 lb. rated, concealed slides with BLUMOTION soft-close
- Up to (7) compartments and up to (5) acrylic bins
- Non-skid vinyl lining
- Mounts to cabinet side and rear wall
- Figure 8 door mounting brackets
- TSCA Title VI compliant



4VDO-15SC-1



For video visit:
rev-a-shelf.com/videos



4VDOHT-15SC-1
Half-Tier Vanity Drawer
(15" Version Shown)



4VDOT-276FLSC-1
Tiered Vanity Drawer
(12" Full Access Version Shown)



Half tiered drawers allow taller products to be stored in front of drawer

Full Access Vanity Drawer w/ BLUMOTION Soft-Close

| PRODUCT | DESCRIPTION | DIMS | MCO | CAB | FINISH | SLP |
|------------------|--------------------|--|------------------|--------|--------|----------|
| 4VDO-267FLSC-1 | Single Drawer | 10-1/2" (267 mm) W x 18-11/16" (474 mm) D x 4-5/16" (109 mm) H | 10-1/2" (267 mm) | FLVB12 | Maple | \$167.70 |
| 4VDOT-267FLSC-1 | Tiered Drawer | 10-1/2" (267 mm) W x 18-11/16" (474 mm) D x 8" (204 mm) H | 10-1/2" (267 mm) | FLVB12 | Maple | \$237.30 |
| 4VDOHT-267FLSC-1 | Half Tiered Drawer | 10-1/2" (267mm) W x 18-11/16" (474 mm) D x 8" (204 mm) H | 10-1/2" (267 mm) | FLVB12 | Maple | \$228.70 |
| 4VDO-343FLSC-1 | Single Drawer | 13-1/2" (343 mm) W x 18-11/16" (474 mm) D x 4-5/16" (109 mm) H | 13-1/2" (343 mm) | FLVB15 | Maple | \$187.50 |
| 4VDOT343FLSC-1 | Tiered Drawer | 13-1/2" (343 mm) W x 18-11/16" (474 mm) D x 8" (204 mm) H | 13-1/2" (343 mm) | FLVB15 | Maple | \$264.55 |
| 4VDOHT-343FLSC-1 | Half Tiered Drawer | 13-1/2" (343 mm) W x 18-11/16" (474 mm) D x 8" (204 mm) H | 13-1/2" (343 mm) | FLVB15 | Maple | \$247.35 |
| 4VDO-419FLSC-1 | Single Drawer | 16-1/2" (419 mm) W x 18-11/16" (474 mm) D x 4-5/16" (109 mm) H | 16-1/2" (419 mm) | FLVB18 | Maple | \$207.20 |
| 4VDOT-419FLSC-1 | Tiered Drawer | 16-1/2" (419 mm) W x 18-11/16" (474 mm) D x 8" (204 mm) H | 16-1/2" (419 mm) | FLVB18 | Maple | \$291.50 |
| 4VDOHT-419FLSC-1 | Half Tiered Drawer | 16-1/2" (419 mm) W x 18-11/16" (474 mm) D x 8" (204 mm) H | 16-1/2" (419 mm) | FLVB18 | Maple | \$260.55 |

Face Frame Vanity Drawer w/ BLUMOTION Soft-Close

| | | | | | | |
|---------------|--------------------|--|--------------|------|-------|----------|
| 4VDO-12SC-1 | Single Drawer | 9" (228 mm) W x 18-11/16" (474 mm) D x 4-5/16" (109 mm) H | 9" (229 mm) | VB12 | Maple | \$160.85 |
| 4VDOT-12SC-1 | Tiered Drawer | 9" (228 mm) W x 18-11/16" (474 mm) D x 8" (204 mm) H | 9" (229 mm) | VB12 | Maple | \$224.15 |
| 4VDOHT-12SC-1 | Half Tiered Drawer | 9" (228 mm) W x 18-11/16" (474 mm) D x 8" (204 mm) H | 9" (229 mm) | VB12 | Maple | \$212.85 |
| 4VDO-15SC-1 | Single Drawer | 12" (304 mm) W x 18-11/16" (474 mm) D x 4-5/16" (109 mm) H | 12" (305 mm) | VB15 | Maple | \$179.05 |
| 4VDOT-15SC-1 | Tiered Drawer | 12" (304 mm) W x 18-11/16" (474 mm) D x 8" (204 mm) H | 12" (305 mm) | VB15 | Maple | \$251.35 |
| 4VDOHT-15SC-1 | Half Tiered Drawer | 12" (304 mm) W x 18-11/16" (474 mm) D x 8" (204 mm) H | 12" (305 mm) | VB15 | Maple | \$234.35 |
| 4VDO-18SC-1 | Single Drawer | 15" (380 mm) W x 18-11/16" (474 mm) D x 4-5/16" (109 mm) H | 15" (381 mm) | VB18 | Maple | \$198.20 |
| 4VDOT-18SC-1 | Tiered Drawer | 15" (380 mm) W x 18-11/16" (474 mm) D x 8" (204 mm) H | 15" (381 mm) | VB18 | Maple | \$274.50 |
| 4VDOHT-18SC-1 | Half Tiered Drawer | 15" (380 mm) W x 18-11/16" (474 mm) D x 8" (204 mm) H | 15" (381 mm) | VB18 | Maple | \$254.80 |

U-Shaped Vanity Pullout

486 Series



- Designed for 30" vanity sink base cabinets
- Natural maple construction with semi-gloss finish
- Full-extension, TANDEM, 90 lb. rated slides with BLUMOTION soft-close
- Mounts to cabinet floor or side walls
- Side and bottom mount brackets
- (4) adjustable dividers, (1) 8 qt. waste container w/ white lid (BM), or (4) adjustable dividers and (2) removable polycarbonate bins (SM)
- Non-skid vinyl lining
- TSCA Title VI compliant

486-30VSBC-BM-1



Can be door mounted



486-30VSBC-BM-1
Maple U-Shaped Pullout
w/(4) Adjustable Dividers and
(1) 8 qt. Container
(Bottom mount unit shown)



486-30VSBC-SM-1
Maple U-Shaped Pullout
w/ (4) Adjustable Dividers and
(2) Acrylic Bins
(Side mount unit shown)



For video visit:
rev-a-shelf.com/videos

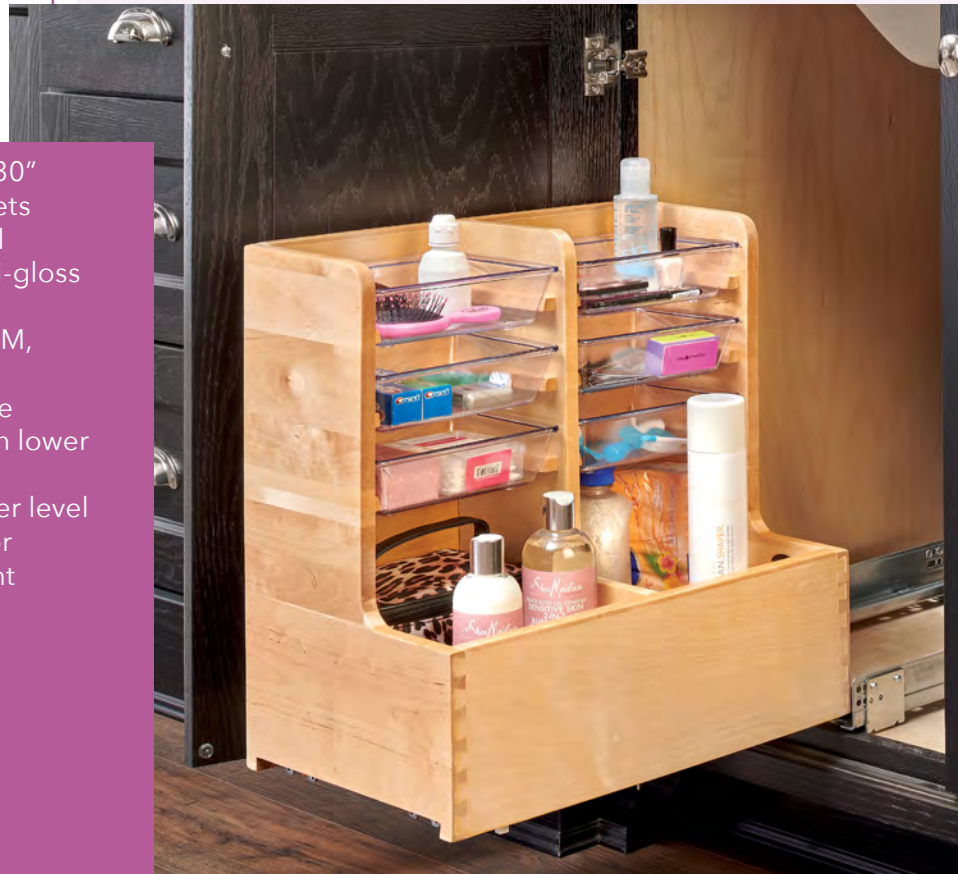
Vanity
Solutions

U-Shaped Vanity Pullout w/ BLUMOTION Soft-Close

| PRODUCT | DESCRIPTION | DIMS | MCO | CAB | FINISH | SLP |
|-----------------|--------------|---|--------------|------|--------|----------|
| 486-30VSBC-BM-1 | Bottom Mount | 25-11/16" (652 mm) W x 18-11/16" (474 mm) D x 14-1/4" (362 mm) H | 27" (686 mm) | VB30 | Maple | \$277.55 |
| 486-30VSBC-SM-1 | Side Mount | 27-9/16" (700 mm) - 28-3/4" (730 mm) W x 19" (483 mm) D x 6-1/2" (165 mm) H | 27" (686 mm) | VB30 | Maple | \$258.80 |



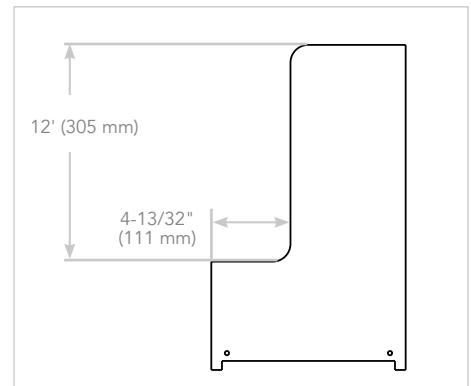
- Designed for 24" and 30" vanity sink base cabinets
- Natural maple dovetail construction with semi-gloss finish
- Full-extension, TANDEM, 90 lb. rated slides with BLUMOTION soft-close
- Anti-skid vinyl lining on lower level
- (6) acrylic bins for upper level
- Mounts to cabinet floor
- TSCA Title VI compliant



441-15VSBSC-1



441-12VSBSC-1
Vanity Organizer for 24"



PIPE CLEARANCE DIMENSIONS
(For both units)



For video visit:
rev-a-shelf.com/videos

L-Shaped Vanity Organizer w/ BLUMOTION Soft-Close

| PRODUCT | DESCRIPTION | DIMS | MCO | CAB | FINISH | SLP |
|---------------|--------------------------|--|-----------------|------|--------|----------|
| 441-12VSBSC-1 | Vanity Organizer for 24" | 8-3/4" (223 mm) W x 18-3/4" (477 mm) D x 18-7/8" (479 mm) H | 10-1/4 (260 mm) | VB24 | Maple | \$278.10 |
| 441-15VSBSC-1 | Vanity Organizer for 36" | 11-11/16" (296 mm) W x 18-3/4" (477 mm) D x 18-7/8" (479 mm) H | 13-1/4 (337 mm) | VB30 | Maple | \$333.80 |



- Designed for 12", 15", 18", 21" and 24" vanity base cabinets
- Natural maple frame with semi-gloss finish
- (2) non-skid vinyl shelves with acrylic accents
- Mounts to cabinet door
- Patented adjustable mounting brackets (US Patent No. 7,204,569)
- TSCA Title VI compliant

4VR-12-1



Patented adjustable mounting brackets (US Patent No. 7,204,569)



4VR-12-1
Vanity Storage Rack
(12" version shown)



4VR-21-1
Storage Rack for 21"
(21" version shown)

Door Mount Vanity Storage Rack

| PRODUCT | DESCRIPTION | DIMS | MCO | CAB | FINISH | SLP |
|----------|----------------------|--|--------------|------|--------|----------|
| 4VR-12-1 | Storage Rack for 12" | 8-1/4" (209 mm) W x 3-1/8" (80 mm) D x 15-1/2" (394 mm) H | 9" (229 mm) | VB12 | Maple | \$69.95 |
| 4VR-15-1 | Storage Rack for 15" | 11-1/4" (285 mm) W x 3-1/8" (80 mm) D x 15-1/2" (394 mm) H | 12" (305 mm) | VB15 | Maple | \$76.60 |
| 4VR-18-1 | Storage Rack for 18" | 14-1/4" (362 mm) W x 3-1/8" (80 mm) D x 15-1/2" (394 mm) H | 14" (356 mm) | VB18 | Maple | \$92.35 |
| 4VR-21-1 | Storage Rack for 21" | 17-1/4" (438 mm) W x 3-1/8" (80 mm) D x 15-1/2" (394 mm) H | 17" (178 mm) | VB21 | Maple | \$100.10 |
| 4VR-24-1 | Storage Rack for 24" | 20-1/4" (514 mm) W x 3-1/8" (80 mm) D x 15-1/2" (394 mm) H | 21" (533 mm) | VB24 | Maple | \$98.60 |

4SOWC Series

- Designed for 30" vanity base cabinets
- Single 8 qt. polymer container, metallic silver
- Natural maple dovetail frame with semi-gloss finish
- Mounts to cabinet door
- Patented pre-assembled adjustable door mount brackets (US Patent No. 7,204,569)
- (1) white lid
- TSCA Title VI compliant



For video visit:
rev-a-shelf.com/videos

Door Mount Vanity Waste Container



Door Mount Vanity Waste Container

| PRODUCT | DESCRIPTION | DIMS | MCO | CAB | FINISH | SLP |
|-----------|--------------|--|--------------|-------|--------|---------|
| 4SOWC-8-1 | Single 8 qt. | 10-3/8" (264 mm) W x 7-3/8" (187 mm) D x 12-5/16" (312 mm) H | 15" (381 mm) | VSB30 | Silver | \$66.80 |

4WCSC Series

- Designed for 15" vanity sink base cabinets
- Single 8 qt. polymer container, metallic silver or single 35 qt.
- Full-extension, 110 lb. rated, concealed slides with BLUMOTION soft-close
- Rear storage
- Mounts to cabinet floor
- (1) white lid with 8 qt.
- TSCA Title VI compliant

Bottom Mount Waste Container



4WCSC-1535DM19-1
 Single 35 qt. Kit w/Soft-Close
 reduced depth



4WCSC-128-19-1

Bottom Mount Vanity Waste Container w/ BLUMOTION Soft-Close

| PRODUCT | DESCRIPTION | DIMS | MCO | CAB | FINISH | SLP |
|----------------|--------------|---|-------------|--------|-----------------------|----------|
| 4WCSC-128-19-1 | Single 8 qt. | 8-5/8" (219 mm) W x 18-9/16" (471 mm) D x 13-15/16 (354 mm) H | 9" (229 mm) | VSB24+ | Metallic Silver/Maple | \$266.70 |

Reduced Depth Bottom Mount Waste Container w/ BLUMOTION Soft-Close

| | | | | | | |
|------------------|---------------|--|--------------|------|-----------------------|----------|
| 4WCSC-1535DM19-1 | Single 35 qt. | 12" (305 mm) W x 18-5/8"(473 mm) D x 19-1/2"(495 mm) H | 12" (305 mm) | VB15 | Metallic Silver/Maple | \$305.65 |
|------------------|---------------|--|--------------|------|-----------------------|----------|



Bottom Mount Wood Hamper

4WH Series



- Designed for face frame 24" vanity base cabinets
- Single 1.5 BU polymer hamper, white
- Natural maple frame with semi-gloss finish
- Full-extension, 135 lb. rated, concealed slides with BLUMOTION soft-close
- Mounts to cabinet door and floor
- Patented pre-assembled door mount brackets (US Patent No. 6,390,576)
- (1) matching lid
- TSCA Title VI compliant

4WH-VCSC-21DM-1



4WH-VCSC-21DM-1
1.5 BU Hamper for 24" Vanity Base

See Closet section page 261 for more hampers



For video visit:
rev-a-shelf.com/videos

Vanity
Solutions

1.5 BU Bottom Mount Hamper Pullout w/ BLUMOTION Soft-Close

| PRODUCT | DESCRIPTION | DIMS | MCO | CAB | FINISH | SLP |
|--------------------|--------------------|---|--------------|------|---------|----------|
| 4WH-VCSC-21DM-1 | Hamper Pullout | 20-5/16" (515 mm) W x 18-11/16" (474 mm) D x 21-1/4" (539 mm) H | 21" (533 mm) | VB24 | Maple | \$375.15 |
| Accessories | | | | | | |
| HPB-03323-52 | Replacement Hamper | 14" (356 mm) W x 18-5/8" (473 mm) D x 18-1/4" (464 mm) H | | | Polymer | \$45.40 |

4VHTM Series

Top Mount Wood Hamper

- Designed for face frame 18" vanity height and base height vanity cabinets
- Single 1.5 BU polymer hamper w/ lid, white
- Natural maple frame with semi-gloss finish
- Full-extension with 2" over-travel, ball-bearing, 100 lb. rated slides
- Mounts to cabinet door, rear and side walls
- Adjustable rear mount brackets and patented pre-assembled door mount brackets (US Patent No. 6,390,576)
- TSCA Title VI compliant



See Closet section page 299 for more hampers

4VHTM-1520DM-1

*Replacement lid Part No: SP-HPB-LID

Maple Top Mount Pullout Hamper

| PRODUCT | DESCRIPTION | DIMS | MCO | CAB | FINISH | SLP |
|----------------|--------------------|---|--------------|------|-------------|----------|
| 4VHTM-1520DM-1 | 1.5 BU Hamper | 15" (381 mm) W x 197/8" (505 mm) D x 20" (508 mm) H (with lid) | 15" (381 mm) | VB18 | White/Maple | \$173.50 |
| HPB-03323-52 | Replacement Hamper | 14" (356 mm) W x 185/8" (473 mm) D x 18-1/4" (464 mm) H (no lid)* | | | Polymer | \$45.40 |

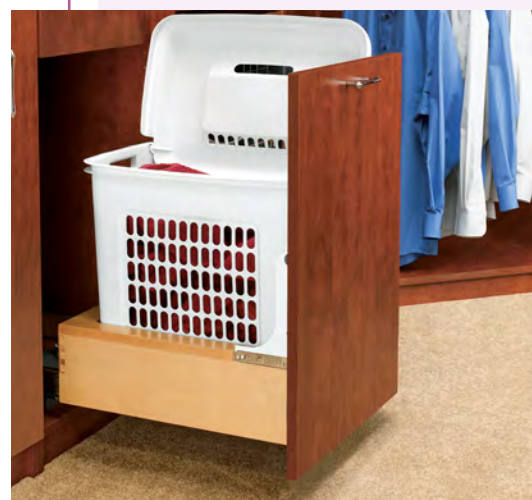
4WH Series

Bottom Mount Rev-A-Motion®

US PATENT NO: 8,091,971



- Designed for 18" full height vanity and base height vanity cabinets
- Single 1.5 BU polymer hamper w/ lid white
- Natural maple frame with semi-gloss finish
- Full-extension with 1-1/2" over-travel, ball-bearing, 150 lb. rated, concealed slides with Rev-A-Motion® soft-open/soft-close (US Patent No. 8,091,971)
- Mounts to cabinet door and floor
- Patented pre-assembled door mount brackets (US Patent No. 6,390,576)
- TSCA Title VI compliant



*Replacement lid Part No: SP-HPB-LID

Bottom Mount Hamper Pullout w/ Rev-A-Motion®

| PRODUCT | DESCRIPTION | DIMS | MCO | CAB | FINISH | SLP |
|---------------|--------------------|---|--------------|--------|-------------|----------|
| 4WH-RM-15DM-1 | 1.5 BU Hamper | 14-1/4" (362 mm) W x 19-3/4" (502 mm) D x 21" (534 mm) H (with lid) | 15" (381 mm) | FHVB18 | White/Maple | \$377.90 |
| HPB-03323-52 | Replacement Hamper | 14" (356 mm) W x 18-5/8" (473 mm) D x 18-1/4" (464 mm) H (no lid)* | | | Polymer | \$45.40 |



- Designed for full access 24" vanity base cabinets with 5/8" or 3/4" side walls
- Double .85 BU polymer containers, gray and white
- Powder-coated metal frame, white
- Patented door mount brackets Patent No. 6,390,576B1
- Full-extension, 90 lb. rated slides with soft-close
- Mounts to cabinet door and side walls
- Pre-assembled door mount brackets
- (1) gray and (1) white lids



53TMVH-24SCDM-2-FL
.85 BU Hamper

See Closet section page 299 for more hampers

Steel Top Mount Vanity Hamper Pullout w/ Soft-Close

| PRODUCT | DESCRIPTION | DIMS | MCO | CAB | FINISH | SLP |
|--------------------|------------------|--|------------------|----------|------------------|----------|
| 53TMVH-24SCDM-2-FL | Top Mount Hamper | 22-1/8" (236 mm) W x 19-3/4" (501 mm) D x 19-1/8" (664 mm) H | 22-1/8" (227 mm) | FLFHVB24 | White/Gray/Steel | \$417.75 |

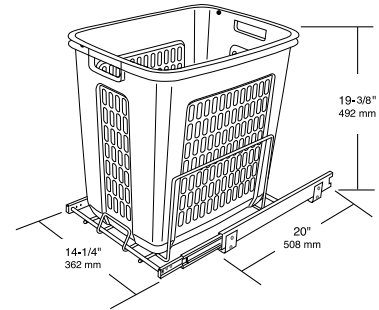
- Designed for face frame 18" vanity height and base height vanity cabinets
- Single 1.5 BU polymer hamper, white
- 4-screw installation
- Powder-coated white wire frame
- Full-extension, ball-bearing, 100 lb. rated slides
- Mounts to cabinet floor
- Door mount kit available (sold separately)



HPRV-1520 S



HPRV-1520 S
1.5 BU Hamper



See Closet section page 299 for more hampers

Polymer Bottom Mount Hamper Pullout

| PRODUCT | DESCRIPTION | DIMS | MCO | CAB | FINISH | SLP |
|-------------|---------------|--|--------------|------|--------------|----------|
| HPRV-1520 S | 1.5 BU Hamper | 14-1/4" (362 mm) W x 20" (508 mm) D x 19-3/8" (492 mm) H | 15" (381 mm) | VB18 | Tan/Aluminum | \$148.05 |

Accessories

| | | | | | | |
|--------------|---------------------------|--|--|--|--------------|---------|
| HPB-03323-52 | Replacement Hamper | 14" (356 mm) W x 18-5/8" (473 mm) D x 18-1/4" (464 mm) H | | | Polymer | \$45.40 |
| RV DM KIT | Heavy Duty Door Mount Kit | | | | White | \$34.00 |
| RV DM17 KIT | Heavy Duty Door Mount Kit | | | | Silver Epoxy | \$34.25 |

Wire Bottom Mount Hamper

HRV Series



- Designed for 15" and 18" vanity cabinets
- Single 1.4 or 2.3 BU wire hamper
- 4-screw installation
- Chrome-plated or powder-coated white wire frame
- Full-extension, ball-bearing, 100 lb. rated slides
- Mounts to cabinet floor
- (1) 2.3 BU machine washable canvas liner included with HRV-1520 S CR
- Door mount kit available (sold separately)

HRV-1520 S CR



HRV-1215 S
1.4 BU Hamper



HRV-1515 S
2.3 BU Hamper

See Closet section page 299 for more hampers

Vanity
Solutions

Wire Bottom Mount Hamper Pullout

| PRODUCT | DESCRIPTION | DIMS | MCO | CAB | FINISH | SLP |
|---------------|-----------------------------------|--|--------------|------|--------|----------|
| HRV-1215 S | 1.4 BU Hamper | 11-7/8" (302 mm) W x 18" (508 mm) D x 14-3/4" (375 mm) H | 12" (305 mm) | VB15 | White | \$180.25 |
| HRV-1220 S | 1.4 BU Hamper | 11-7/8" (302 mm) W x 18" (508 mm) D x 19-3/8" (492 mm) H | 12" (305 mm) | VB15 | White | \$180.65 |
| HRV-1515 S | 2.3 BU Hamper | 14-3/4" (375 mm) W x 18" (508 mm) D x 14-3/4" (375 mm) H | 15" (381 mm) | VB18 | White | \$184.00 |
| HRV-1520 S | 2.3 BU Hamper | 14-3/4" (375 mm) W x 18" (508 mm) D x 19-3/8" (492 mm) H | 15" (381 mm) | VB18 | White | \$197.05 |
| HRV-1520 S CR | 2.3 BU Hamper w/ (1) Canvas Liner | 14-3/4" (375 mm) W x 18" (508 mm) D x 19-3/8" (492 mm) H | 15" (381 mm) | VB18 | Chrome | \$150.30 |

Accessories

| | | | | | | |
|----------------|---------------------------|--|--|--|--------------|---------|
| HRV-1520-LINER | 2.3 BU Replacement Liner | | | | Tan | \$28.60 |
| RV DM KIT | Heavy Duty Door Mount Kit | | | | White | \$34.00 |
| RV DM17 KIT | Heavy Duty Door Mount Kit | | | | Silver Epoxy | \$34.25 |

NOTE: Only HRV-1520 S CR includes (1) liner





- Designed for 18" base height vanity cabinets
- Single 2.1 BU canvas liner, tan (machine washable)
- Anodized aluminum frame, metallic silver or white base
- Full-extension with 1-1/2" over-travel, ball-bearing, 150 lb. rated, concealed slides with Rev-A-Motion® soft-open/soft-close (US Patent No. 8,091,971)
- Mounts to cabinet door and floor
- Patented door mount brackets with 5" of adjustability (US Patent No. 8,939,526)



5190-15RM-117



5190-15RM-111
Canvas Hamper w/ White Base

See Closet section page 299 for more hampers

Aluminum Bottom Mount Canvas Hamper w/ Rev-A-Motion®

| PRODUCT | DESCRIPTION | DIMS | MCO | CAB | FINISH | SLP |
|---------------|-------------------------------------|--|--------------|------|--------------|----------|
| 5190-15RM-117 | 2.1 BU Canvas Hamper w/ Silver Base | 14-5/16" (363 mm) W x 18-1/16" (459 mm) D x 19-11/32" (493 mm) H | 15" (381 mm) | VB18 | Tan/Aluminum | \$407.15 |
| 5190-15RM-111 | Canvas Hamper w/ White Base | 14-5/16" (363 mm) W x 18-1/16" (459 mm) D x 19-11/32" (493 mm) H | 15" (381 mm) | VB18 | Tan/Aluminum | \$409.15 |

Accessories

| | | | | | | |
|------------|--------------------------|---|--|--|-----|---------|
| 5190-LINER | Canvas Liner Replacement | 8-1/2" (216 mm) W x 11-1/2" (292 mm) D x 20" (508 mm) H | | | Tan | \$43.45 |
|------------|--------------------------|---|--|--|-----|---------|

Aluminum Bottom Mount Wire Hampers

CH Series



- Designed for 27" base height vanity cabinets
- Double 1.2 BU wire hampers, with (2) canvas liners, machine washable
- Anodized aluminum frame, metallic silver or white base
- Full-extension with 1-1/2" over-travel, ball-bearing, 150 lb. rated, concealed slides with Rev-A-Motion® soft-open/soft-close (US Patent No. 8,091,971)
- Mounts to cabinet door and floor
- Patented door mount brackets with 5" of adjustability (US Patent No. 8,939,526)

CH-241419-RM-217



CH-241419-RM-217
Double 1.2 BU Hampers
w/ Silver Base



CH-241419-RM-211
Double 1.2 BU Hampers
w/ White Base

See Closet section page 299 for more hampers



For video visit:
rev-a-shelf.com/videos

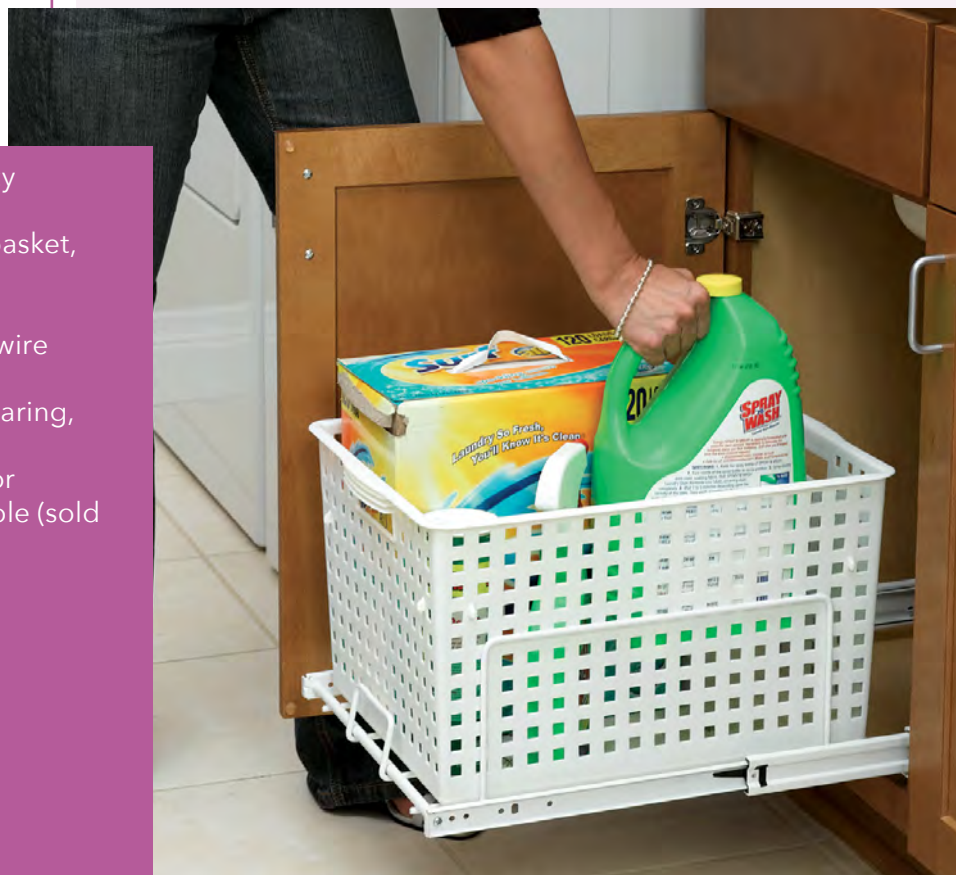
Aluminum Bottom Mount Wire Hamper w/ Rev-A-Motion®

| PRODUCT | DESCRIPTION | DIMS | MCO | CAB | FINISH | SLP |
|------------------|--------------------------------------|--|--------------|------|------------|----------|
| CH-241419-RM-217 | Double 1.2 BU Hampers w/ Silver Base | 24" (610 mm) W x 13-15/16" (353 mm) D x 18-7/8" (478 mm) H | 24" (610 mm) | VB27 | Silver/Tan | \$467.05 |
| CH-241419-RM-211 | Double 1.2 BU Hampers w/ White Base | 24" (610 mm) W x 13-15/16" (353 mm) D x 18-7/8" (478 mm) H | 24" (610 mm) | VB27 | White/Tan | \$465.00 |

Accessories

| | | | | | | |
|------------|------------------------------|--|--|--|-----|---------|
| 5CHB-Liner | (1) Replacement Canvas Liner | | | | Tan | \$15.80 |
|------------|------------------------------|--|--|--|-----|---------|

- Designed for 18" vanity cabinets
- Single 1 BU polymer basket, white
- 4-screw installation
- Powder-coated white wire frame
- Full-extension, ball-bearing, 100 lb. rated slides
- Mounts to cabinet floor
- Door mount kit available (sold separately)

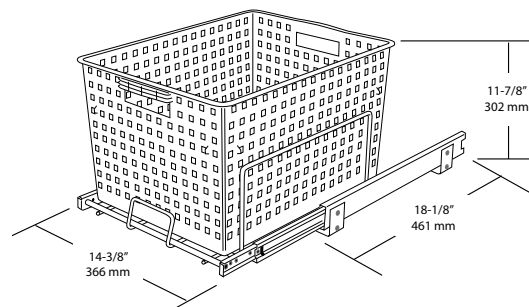


HURV-1512 S



HURV-1512 S

1 BU Basket Pullout for 18"



Polymer Utility Basket Pullout w/ Rev-A-Motion®

| PRODUCT | DESCRIPTION | DIMS | MCO | CAB | FINISH | SLP |
|-------------|-----------------------------|--|--------------|------|---------|----------|
| HURV-1512 S | 1 BU Basket Pullout for 18" | 14-3/8" (366 mm) W x 18-1/8" (461 mm) D x 11-7/8" (302 mm) H | 15" (381 mm) | VB18 | Polymer | \$156.00 |

Accessories

| | | | | | | |
|-------------|----------------------------|--|--|--|--------------|---------|
| HUB-470X8 | Replacement Utility Basket | 12-1/2" (318 mm) W x 18" (457 mm) D x 10-3/8" (264 mm) H | | | Polymer | \$51.60 |
| RV DM KIT | Heavy Duty Door Mount Kit | | | | White | \$34.00 |
| RV DM17 KIT | Heavy Duty Door Mount Kit | | | | Silver Epoxy | \$34.25 |



- Designed for 3" and 6" vanity filler applications
- Natural maple frame with semi-gloss finish
- Full-extension, 100 lb. rated, TANDEM smooth running action slides with BLUMOTION soft-close
- Mounts between cabinets
- Adjustable shelves with clear rails and non-skid vinyl lining
- (4) or (6) polycarbonate bins
- TSCA Title VI compliant

432-VF26SC-3



432-VF30SC-3

3" Vanity Base Height Filler w/(6) Bins

NOTE: Polycarbonate Bins = 7"(178 mm) W x 1-3/4" (45 mm) D x 2-1/4" (57 mm) H

Vanity Filler Pullout w/ BLUMOTION Soft-Close

| PRODUCT | DESCRIPTION | DIMS | FINISH | SLP |
|--------------|--|---|--------|----------|
| 432-VF26SC-3 | 3" Vanity Filler w/ (4) Bins | 3" (76 mm) W x 19" (483 mm) D x 26" (661 mm) H | Maple | \$323.10 |
| 432-VF26SC-6 | 6" Vanity Filler w/ (4) Bins | 6" (152 mm) W x 19" (483 mm) D x 26" (661 mm) H | Maple | \$401.60 |
| 432-VF30SC-3 | 3" Vanity Base Height Filler w/ (6) Bins | 3" (76 mm) W x 19" (483 mm) D x 30" (762 mm) H | Maple | \$377.70 |
| 432-VF30SC-6 | 6" Vanity Base Height Filler w/ (6) Bins | 6" (152 mm) W x 19" (483 mm) D x 30" (762 mm) H | Maple | \$465.80 |



- Designed for face frame 12" vanity cabinets with full height door
- Natural maple frame with semi-gloss finish
- Full-extension, 100 lb. rated, TANDEM smooth running action, concealed slides with BLUMOTION soft-close
- Mounts to cabinet door and floor
- Patented door mount brackets with 5" of adjustability (US Patent No. 8,388,076)
- Adjustable shelves with clear rails and non-skid vinyl lining
- (2) stainless steel bins
- TSCA Title VI compliant



445-VCG25SC-8



445-VCG25SC-8
8" Base Height
Vanity Grooming Organizer

Grooming Organizer Pullout w/ BLUMOTION Soft-Close

| PRODUCT | DESCRIPTION | DIMS | MCO | CAB | FINISH | SLP |
|---------------|--|--|-------------|--------|--------|----------|
| 445-VCG20SC-8 | 8" Vanity Grooming Organizer | 8-7/16" (213 mm) W x 19-9/16" (497 mm) D x 20-3/8" (517 mm) H | 9" (227 mm) | FHVB12 | Wood | \$371.50 |
| 445-VCG25SC-8 | 8" Base Height Vanity Grooming Organizer | 8-7/16" (213 mm) W x 19-9/16" (497 mm) D x 25-9/16" (649 mm) H | 9" (227 mm) | FHVB12 | Wood | \$421.95 |

Vanity Tiered Organizer

448 Series



- Designed for face frame 12" vanity cabinets with full height door
- Natural maple frame with semi-gloss finish (D596,424S)
- Full-extension, 100 lb. rated, TANDEM smooth running action, concealed slides with BLUMOTION soft-close
- Mounts to cabinet door and floor
- Patented door mount brackets with 5" of adjustability (US Patent No. 8,388,076)
- Adjustable shelves with clear rails and non-skid vinyl lining
- (6) or (9) polycarbonate bins
- TSCA Title VI compliant

448-VC25SC-8



448-VC25SC-8
8" Base Height Vanity Organizer
w/ (9) Bins

Vanity
Solutions

Tiered Vanity Organizer Pullout w/ BLUMOTION Soft-Close

| PRODUCT | DESCRIPTION | DIMS | MCO | CAB | FINISH | SLP |
|--------------|---|--|-------------|--------|--------|----------|
| 448-VC20SC-8 | 8" Vanity Organizer w/ (6) Bins | 8-7/16" (213 mm) W x 19-9/16" (497 mm) D x 20-3/8" (517 mm) H | 9" (227 mm) | FHVB12 | Wood | \$474.05 |
| 448-VC25SC-8 | 8" Base Height Vanity Organizer w/ (9) Bins | 8-7/16" (213 mm) W x 19-9/16" (497 mm) D x 25-9/16" (649 mm) H | 9" (227 mm) | FHVB12 | Wood | \$551.80 |

NOTE: Polycarbonate Bins = 7"(178 mm) W x 1-3/4" (45 mm) D x 2-1/4" (57 mm) H



8-010

- Designed for 33" and 36" sink base cabinets or 24" single door sink base cabinets
- Single black polymer container with built-in handle, 14 or 15 L
- Stainless steel or white lacquer finish
- Lid rises as container pivots out
- Mounts to cabinet door, floor and side walls

8-700

- Designed for full access 36" sink base cabinets
- Single white polymer bin with built-in handle, 20 L
- Lid rises as container pivots out
- Mounts to cabinet door and side walls



8-010314-15



8-010212-14
14 L Container
(White lacquer finish shown)



8-010412-15
15 L Container, White
(White lacquer finish shown)



8-700411-20
20 L Sink Base Container
(White polymer finish shown)

Pivot Out Under Sink Waste Containers

| PRODUCT | DESCRIPTION | DIMS | MCO | CAB | FINISH | SLP |
|-------------|------------------------------|--|------------------|-------|-----------------|----------|
| 8-010212-14 | 14 Liter Container | 11" (280 mm) W x 10-1/2" (268 mm) D x 17-1/8" (435 mm) H | 13-3/4" (350 mm) | VSB33 | White Lacquered | \$101.05 |
| 8-010412-15 | 15 Liter Container | 13-3/8" (340 mm) W x 11-7/8" (300 mm) D x 18-1/2" (470 mm) H | 13-3/4" (350 mm) | VSB33 | White Lacquered | \$111.65 |
| 8-010314-15 | 15 Liter Container | 13-3/8" (340 mm) W x 11-7/8" (300 mm) D x 18-1/2" (470 mm) H | 13-3/4" (350 mm) | VSB33 | Stainless Steel | \$139.50 |
| 8-700411-20 | 20 Liter Sink Base Container | 15-3/4" (400 mm) W x 7-1/4" (185 mm) D x 18" (457 mm) H | 16-1/4" (413 mm) | VSB36 | White Polymer | \$179.20 |

RV Wire Bottom Mount

RV Series



RV-814PB



RV-814PB
Single 20 qt. w/ Euro Slides
(when rotated)



RV-14PB S
Single 20 qt. w/ Full-Extension Slides

- Designed for 24" and 36" vanity sink base cabinets and 12" and 18" vanity cabinets
- Single 20 qt. polymer container, white
- 4-screw installation
- Powder-coated white wire frame
- 3/4 extension Euro, 75 lb. rated slides with RV-814PB
- Full-extension, ball-bearing, 100 lb. rated slides with RV-14PB S
- Mounts to cabinet floor
- Door mounting kit (sold separately)

RV Wire Waste Container Pullouts

| PRODUCT | DESCRIPTION | DIMS | MCO | BC | FINISH | SLP |
|-----------|--|---|-----------------------------|----------------|--------|----------|
| RV-814PB | Single 20 qt. w/ Euro Slides when rotated: | 8-1/2" (216 mm) W x 14-5/8" (370 mm) D x 16-5/8" (422 mm) H 14-1/2" (362 mm) W x 14-5/8" (370 mm) D x 16-1/4" (413 mm) H | 9" (227 mm) 15" (381 mm) | VSB24 VSB36 | White | \$53.75 |
| RV-14PB S | Single 20 qt. w/ Full-Extension Slides | 14-5/8" (370 mm) W x 16" (406 mm) D x 16-3/8" (416 mm) H | 15" (381 mm) | VSB36 | White | \$107.30 |
| RV DM KIT | Heavy Duty Door Mount Kit | | | | White | \$34.00 |

Aluminum Bottom Mount Rev-A-Motion®

5149 Series



5149-15DM18-117

- Designed for 15" base height vanity cabinets
- Single 35 qt. polymer containers, metallic silver or white
- Anodized aluminum frame, metallic silver or white base
- Full-extension with 1-1/2" over-travel, ball-bearing, 150 lb. rated, concealed slides with Rev-A-Motion® soft-open/soft-close (US Patent No. 8,091,971)

See page 51 for more information



US PATENT NO: 8,091,971



Vanity Solutions

Aluminum Bottom Mount Waste Container Pullout w/ Rev-A-Motion®

| PRODUCT | DESCRIPTION | DIMS | MCO | CAB | FINISH | SLP |
|-----------------|-------------------------------------|--|--------------|------|-------------|----------|
| 5149-15DM18-111 | Single 35 qt. Reduced Depth for 15" | 12-1/8" (308 mm) W x 18" (457 mm) D x 19-1/2" (495 mm) H | 12" (305 mm) | VB15 | White/Alum | \$348.60 |
| 5149-15DM18-117 | Single 35 qt. Reduced Depth for 15" | 12-1/8" (308 mm) W x 18" (457 mm) D x 19-1/2" (495 mm) H | 12" (305 mm) | VB15 | Silver/Alum | \$333.50 |



5SBWC Series

- Designed for 24" and larger sink base cabinets
- (1) 8 L and (1) 15 L bin, both with handles
- Full-extension, under mount, 75 lb. rated, concealed slides with soft-close
- Mounts to cabinet floor
- (1) green lid and (1) white lid
- Door mounting kit (sold separately)



For video visit:
rev-a-shelf.com/videos

Sink Base Waste Pullout



Wire Under Sink Waste Pullout

| PRODUCT | DESCRIPTION | DIMS | MCO | CAB | FINISH | SLP |
|--------------|----------------------|---|-------------|--------|--------|----------|
| 5SBWC-815S-1 | (1) 8 L and (1) 15 L | 8-15/16" (227 mm) W x 18-5/8" (473 mm) D x 14-1/4" (362 mm) H | 9" (227 mm) | VSB24+ | Silver | \$140.60 |

Accessories

| | | | | | | |
|-----------|----------------|--|--|--|--------------|---------|
| 5WB-DMKIT | Door Mount Kit | | | | Silver Epoxy | \$33.90 |
|-----------|----------------|--|--|--|--------------|---------|

5SBWCC Series

- Designed for 24" and larger sink base cabinets
- (1) 8 L with removable rack and (2) 1 L spray bottles
- Full-extension, under mount, 75 lb. rated, concealed slides with soft-close
- Mounts to cabinet floor
- (1) green lid
- Door mounting kit (sold separately)



For video visit:
rev-a-shelf.com/videos

Sink Base Waste & Cleaning Pullout



Wire Under Sink Waste & Cleaning Pullout

| PRODUCT | DESCRIPTION | DIMS | MCO | CAB | FINISH | SLP |
|-------------|----------------------------|---|-------------|--------|--------|----------|
| 5SBWCC-8S-1 | (1) 8L and (2) 1 L Bottles | 8-15/16" (227 mm) W x 18-5/8" (473 mm) D x 14-1/4" (362 mm) H | 9" (227 mm) | VSB24+ | Silver | \$124.00 |

Accessories

| | | | | | | |
|-----------|----------------|--|--|--|--------------|---------|
| 5WB-DMKIT | Door Mount Kit | | | | Silver Epoxy | \$33.90 |
|-----------|----------------|--|--|--|--------------|---------|

Vanity Drip Tray

SBVDT Series



- Designed for 27" to 40" vanity sink base cabinets
- Glossy polystyrene construction, almond or metallic silver
- Drop-in installation
- Protects the bottom of the cabinet from water damage
- Recommended for new construction only

SBVDT-2730-A-1



S: Metallic Silver, A: Almond

See page 97 for sink base version

| Tray Capacity | |
|---------------|-----------|
| SBVDT-2124 | 7/8 qt. |
| SBVDT-2730 | 1-1/4 qt. |
| SBVDT-3336 | 1-1/2 qt. |

Vanity Drip Tray

| PRODUCT | DESCRIPTION | DIMS | MIN TRIM | FINISH | SLP |
|----------------|-------------|--|---|-----------------|---------|
| SBVDT-2124-A-1 | Drip Tray | 22-1/2" (572 mm) W x 20-1/4" (515 mm) D x 3/4" (19 mm) H | 19-1/2" (495 mm) W x 18-1/2" (470 mm) D | Almond | \$48.30 |
| SBVDT-2124-S-1 | Drip Tray | 22-1/2" (572 mm) W x 20-1/4" (515 mm) D x 3/4" (19 mm) H | 19-1/2" (495 mm) W x 18-1/2" (470 mm) D | Metallic Silver | \$53.20 |
| SBVDT-2730-A-1 | Drip Tray | 28-1/2" (724 mm) W x 20-1/4" (515 mm) D x 3/4" (19 mm) H | 25-1/2" (648 mm) W x 18-1/2" (470 mm) D | Almond | \$53.65 |
| SBVDT-2730-S-1 | Drip Tray | 28-1/2" (724 mm) W x 20-1/4" (515 mm) D x 3/4" (19 mm) H | 25-1/2" (648 mm) W x 18-1/2" (470 mm) D | Metallic Silver | \$59.00 |
| SBVDT-3336-A-1 | Drip Tray | 34-1/2" (876 mm) W x 20-1/4" (515 mm) D x 3/4" (19 mm) H | 31-1/2" (800 mm) W x 18-1/2" (470 mm) D | Almond | \$59.75 |
| SBVDT-3336-S-1 | Drip Tray | 34-1/2" (876 mm) W x 20-1/4" (515 mm) D x 3/4" (19 mm) H | 31-1/2" (800 mm) W x 18-1/2" (470 mm) D | Metallic Silver | \$65.70 |

(12) Vanity Drip Trays

| | | | | | |
|-----------------|-----------------|--|---|-----------------|------------|
| SBVDT-2124-A-12 | (12) Drip Trays | 22-1/2" (572 mm) W x 20-1/4" (515 mm) D x 3/4" (19 mm) H | 19-1/2" (495 mm) W x 18-1/2" (470 mm) D | Almond | \$41.20 ea |
| SBVDT-2124-S-12 | (12) Drip Trays | 22-1/2" (572 mm) W x 20-1/4" (515 mm) D x 3/4" (19 mm) H | 19-1/2" (495 mm) W x 18-1/2" (470 mm) D | Metallic Silver | \$45.40 ea |
| SBVDT-2730-A-12 | (12) Drip Trays | 28-1/2" (724 mm) W x 20-1/4" (515 mm) D x 3/4" (19 mm) H | 25-1/2" (648 mm) W x 18-1/2" (470 mm) D | Almond | \$45.80 ea |
| SBVDT-2730-S-12 | (12) Drip Trays | 28-1/2" (724 mm) W x 20-1/4" (515 mm) D x 3/4" (19 mm) H | 25-1/2" (648 mm) W x 18-1/2" (470 mm) D | Metallic Silver | \$50.45 ea |
| SBVDT-3336-A-12 | (12) Drip Trays | 34-1/2" (876 mm) W x 20-1/4" (515 mm) D x 3/4" (19 mm) H | 31-1/2" (800 mm) W x 18-1/2" (470 mm) D | Almond | \$50.90 ea |
| SBVDT-3336-S-12 | (12) Drip Trays | 34-1/2" (876 mm) W x 20-1/4" (515 mm) D x 3/4" (19 mm) H | 31-1/2" (800 mm) W x 18-1/2" (470 mm) D | Metallic Silver | \$55.95 ea |