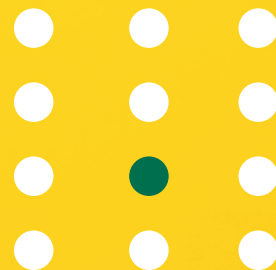


# WA | LL

20/21.





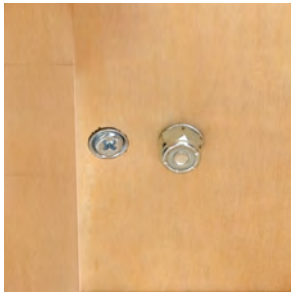
448-BBSCWC-6C

- Designed for 9" and 12" wall cabinets
- Natural maple construction with semi-gloss finish
- Up to (5) shelves with chrome wire accents
- Full-extension, ball-bearing, 100 lb. rated slides with soft-close
- Mounts to cabinet floor and door
- Patented door mount brackets with micro-adjustment (US Patent No. 8,388,076)
- Adjustable rub bushings
- Non soft-close available
- TSCA Title VI compliant



For video visit:  
[rev-a-shelf.com/videos](http://rev-a-shelf.com/videos)

**NOTE:** See page 146 for base cabinet version



Micro-Adjustment Screw for precise door alignment



**448-BBSCWC-8C**  
Soft-Close Wall Cabinet Pullout  
(8" version shown)



**448-WC-5C**  
Wall Cabinet Pullout  
(5" version shown)



**448-BBSCWC-6C**  
Full Access Wall Cabinet Pullout  
w/ Ball-bearing Soft-Close  
(6" version shown)



**448-BBSCWC-9C**  
Full Access Wall Cabinet Pullout  
w/ Ball-bearing Soft-Close  
(9" version shown)



**448-BBSCWC36-5C**  
Face Frame 36" Tall  
Wall Cabinet Pullout  
(5" version shown)



**448-BBSCWC36-8C**  
Face Frame 36" Tall  
Wall Cabinet Pullout  
(8" version shown)

**Full Access Wall Cabinet Pullout w/ Ball-Bearing Soft-Close**

PRODUCT	DESCRIPTION	DIMS	MCO	CAB	FINISH	SLP
448-BBSCWC-6C	Wall Cabinet Pullout	6-1/2" (165 mm) W x 10-3/4" (237 mm) D x 26-3/16" (664 mm) - 27-7/8" ( 708 mm) H	7-1/2" (191 mm)	FLW9	Maple	\$166.00
448-BBSCWC-9C	Wall Cabinet Pullout	9-1/2" (241 mm) W x 10-3/4" (237 mm) D x 26-3/16" (664 mm) - 27-7/8" ( 708 mm) H	10-1/2" (267 mm)	FLW12	Maple	\$195.60

**Face Frame Wall Cabinet Pullout w/ Ball-Bearing Soft-Close for 36" and Taller Wall cabinets**

448-BBSCWC36-5C	Wall Cabinet Pullout	5" (127 mm) W x 10-3/4" (237 mm) D x 32-3/16" (817 mm) - 33-7/8" ( 860 mm) H	5-1/2" (140 mm)	W9	Maple	\$172.15
448-BBSCWC36-8C	Wall Cabinet Pullout	8" (204 mm) W x 10-3/4" (237 mm) D x 32-3/16" (817 mm) - 33-7/8" ( 860 mm) H	8-1/2" (216 mm)	W12	Maple	\$214.15

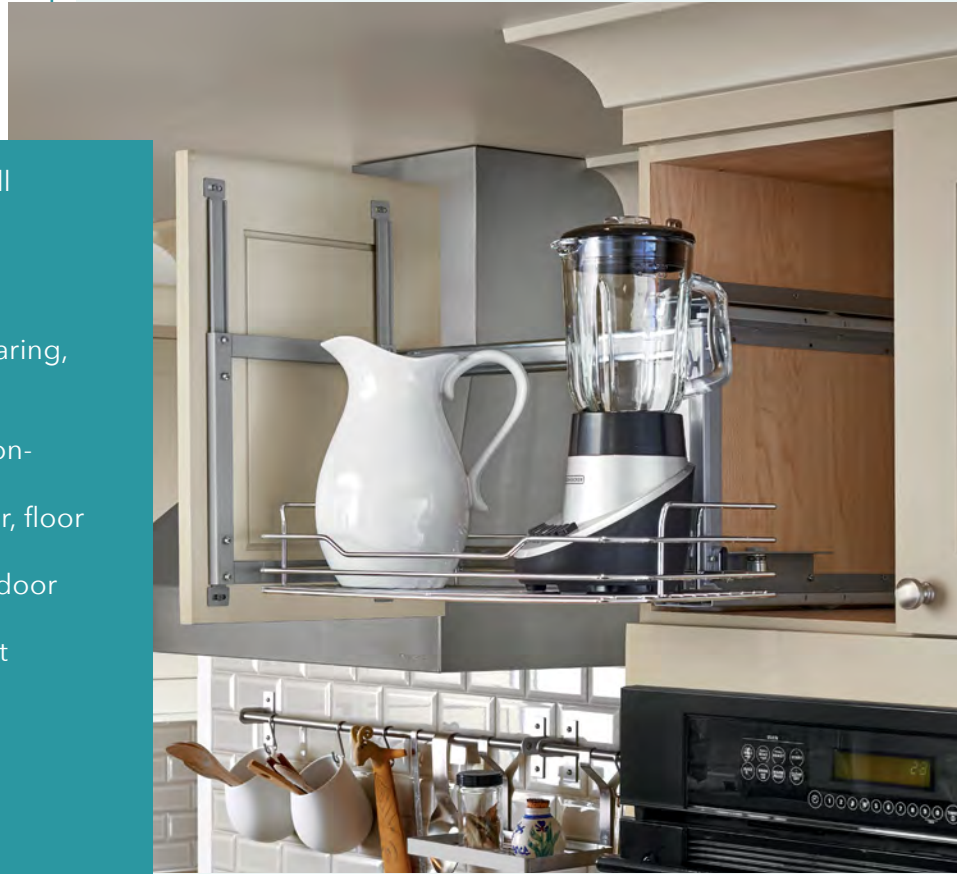
**Face Frame Wall Cabinet Pullout w/ Ball-Bearing Soft-Close for 30" and Taller Wall cabinets**

448-BBSCWC-5C	Wall Pullout for 9"	5" (127 mm) W x 10-3/4" (237 mm) D x 26-3/16" (664 mm) - 27-7/8" ( 708 mm) H	5-1/2" (140 mm)	W9	Maple	\$151.80
448-BBSCWC-8C	Wall Pullout for 12"	8" (204 mm) W x 10-3/4" (237 mm) D x 26-3/16" (664 mm) - 27-7/8" ( 708 mm) H	8-1/2" (216 mm)	W12	Maple	\$175.65

**Face Frame Wall Cabinet Pullout**

448-WC-5C	Wall Pullout for 9"	5" (127 mm) W x 10-3/4" (237 mm) D x 26-3/16" (665 mm) - 27-7/8" ( 708 mm) H	5-1/2" (140 mm)	W9	Maple	\$145.45
448-WC-8C	Wall Pullout for 12"	8" (204 mm) W x 10-3/4" (237 mm) D x 26-3/16" (665 mm) - 27-7/8" ( 708 mm) H	8-1/2" (216 mm)	W12	Maple	\$164.45
448-HP-523C	Wood Hood Pullout	5" (127 mm) W x 10-3/4" (237 mm) D x 23" (584 mm) - 24-11/16" ( 627 mm) H	5-1/2" (140 mm)	N/A	Maple	\$193.60

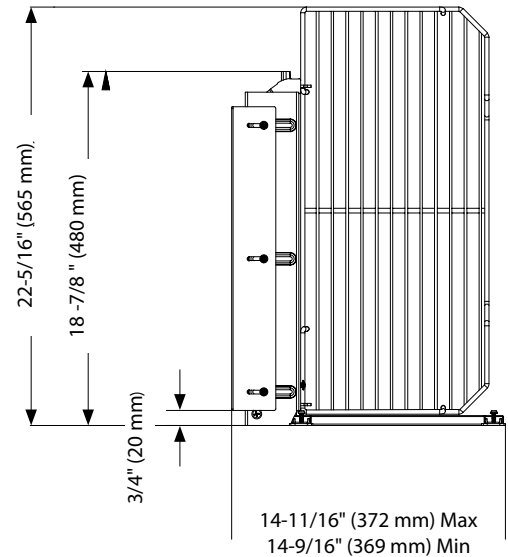
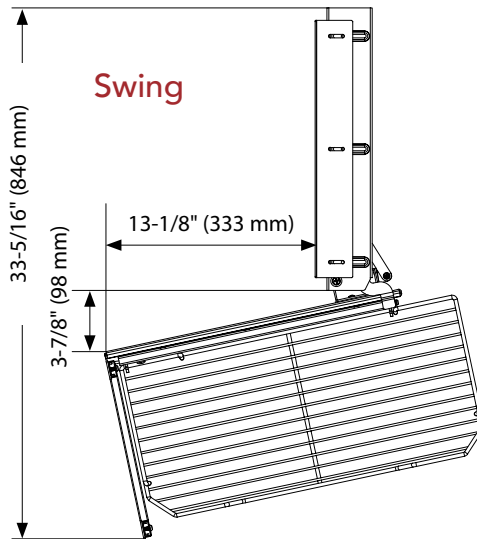
- Designed for 24" D wall cabinets
- Chrome round wire construction
- (1) wire bottom shelf
- Full-extension, ball-bearing, 75 lb. rated slides
- 45 lb weight rating
- Universal mounting, non-handed
- Mounts to cabinet door, floor and side walls
- Pulls out of cabinet as door opens
- Adjustable door mount brackets



Top 5708-15CR



For video visit:  
[rev-a-shelf.com/videos](http://rev-a-shelf.com/videos)



### Above Appliance Pullout

PRODUCT	DESCRIPTION	DIMS	MCO	CAB	FINISH	SLP
5708-15CR	Above Appliance Pullout	13" (330 mm) W x 19" (483 mm) D x 15" (381 mm) H	15" (381 mm)	T33 Butt/ T36	Chrome	\$443.70



- Designed for 18" wall cabinets
- Natural maple or white construction with semi-gloss finish
- (8) hooks and (2) compartments
- Mounts to cabinet door
- Patented adjustable door mount brackets (US Patent No. 7,204,569)
- TSCA Title VI compliant

4MR-18-1



**4MR-18W-1**  
Mail Organizer  
(White finish shown)



For video visit:  
[rev-a-shelf.com/videos](http://rev-a-shelf.com/videos)

### Mail Organizer

PRODUCT	DESCRIPTION	DIMS	MCO	CAB	FINISH	SLP
4MR-18-1	Mail Organizer	13-1/2" (343 mm) W x 3-9/16" (90 mm) D x 15" (381 mm) H	15" (381 mm)	W18	Maple	\$92.10
4MR-18W-1	Mail Organizer	13-1/2" (343 mm) W x 3-9/16" (90 mm) D x 15" (381 mm) H	15" (381 mm)	W18	White	\$126.40

- Designed for 15", 18" and 21" wall cabinets
- Natural maple construction with semi-gloss finish
- 4-screw installation
- (3) shelves with chrome wire accents
- Holds items up to 2-1/4" D
- Mounts to cabinet door
- Patented adjustable door mount brackets (US Patent No. 7,204,569)
- TSCA Title VI compliant



4SR-18



**4SR-15**  
Spice Rack  
(15" version shown)



**4SR-21**  
Spice Rack  
(21" version shown)

**NOTE:** Height between shelves is 8-5/8" (219 mm)

### Door Mount Spice Rack

PRODUCT	DESCRIPTION	DIMS	MCO	CAB	FINISH	SLP
4SR-15	Spice Rack	10-1/2" (267 mm) W x 3-1/8" (79 mm) D x 21-1/4" (540 mm) H	12" (305 mm)	W15	Maple	\$56.65
4SR-18	Spice Rack	13-1/2" (343 mm) W x 3-1/8" (79 mm) D x 21-1/4" (540 mm) H	15" (381 mm)	W18	Maple	\$62.75
4SR-21	Spice Rack	16-1/2" (419 mm) W x 3-1/8" (79 mm) D x 21-1/4" (540 mm) H	18" (457 mm)	W21	Maple	\$71.15

# Adjustable Door Mount Spice Rack

## 4ASR Series



- Designed for 15", 18" and 21" wall cabinets
- Natural maple construction with semi-gloss finish
- 4-screw installation
- (3) adjustable shelves with chrome wire accents
- (2) wood standards
- Holds items up to 2-1/4" D
- Mounts to cabinet door (Screws not included)
- Patented adjustable door mount brackets (US Patent No. 7,204,569)
- TSCA Title VI compliant

4ASR-18



**4ASR-15**  
Adjustable Spice Rack  
*(15" version shown)*



**4ASR-15**  
Adjustable Spice Rack  
*(21" version shown)*

### Adjustable Door Mount Spice Rack

PRODUCT	DESCRIPTION		MCO	CAB	FINISH	SLP
4ASR-15	Adjustable Spice Rack	10-1/8" (257 mm) W x 4" (102 mm) D x 25" (635 mm) H	12" (305 mm)	W15	Maple	\$104.40
4ASR-18	Adjustable Spice Rack	13-1/8" (333 mm) W x 4" (102 mm) D x 25" (635 mm) H	15" (381 mm)	W18	Maple	\$129.05
4ASR-21	Adjustable Spice Rack	16-1/8" (410 mm) W x 4" (102 mm) D x 25" (635 mm) H	18" (457 mm)	W21	Maple	\$153.60

### Bulk Components

4ASR-25STD-20	(20) Spice Rack Standards	25" (635 mm) H			Maple	\$11.45 ea.
4ASR-31STD-20	(20) Spice Rack Standards	31" (787 mm) H			Maple	\$12.05 ea.
4ASR-37STD-20	(20) Spice Rack Standards	37" (940 mm) H			Maple	\$13.35 ea.
4ASR-15BIN-10	(10) Bins ONLY	10-1/8" (257 mm) W x 3-5/8" (92 mm) D x 3-5/8" (92 mm) H	12" (305 mm)	W15	Maple	\$27.90 ea.
4ASR-18BIN-10	(10) Bins ONLY	13-1/8" (333 mm) W x 3-5/8" (92 mm) D x 3-5/8" (92 mm) H	15" (381 mm)	W18	Maple	\$37.85 ea.
4ASR-21BIN-10	(10) Bins ONLY	16-1/8" (410 mm) W x 3-5/8" (92 mm) D x 3-5/8" (92 mm) H	18" (457 mm)	W21	Maple	\$44.80 ea.

- Designed for 12", 15" and 18" wall cabinets
- White powder-coated wire or orion gray flat wire construction
- 4-screw installation
- (4) shelves with white wire accents
- White wire top shelves are 2-3/8" D, bottom shelf is 4-1/8" D - Orion gray shelves are 2-1/2" D
- Holds items up to 2-1/4" D
- Mounts to cabinet door
- Screw-in clips



5365-10-FOG



**5365-08-FOG**  
Door Mount Spice rack  
*(Orion Gray finish shown)*



**565-14-52**  
Door Mount Spice rack  
*(White finish shown)*

### Flat Wire Door Mount Spice Rack

PRODUCT	DESCRIPTION	DIMS	MCO	CAB	FINISH	SLP
5365-08-FOG	Spice Rack	7-7/8" (200 mm) W x 2-1/2" (64 mm) D x 23-3/8" (593 mm) H	9-3/8" (238 mm)	FLW12	Orion Gray	\$121.95
5365-10-FOG	Spice Rack	10-5/8" (270 mm) W x 2-1/2" (64 mm) D x 23-3/8" (593 mm) H	11-3/8" (298 mm)	W15	Orion Gray	\$127.60
5365-14-FOG	Spice Rack	13-5/8" (346 mm) W x 2-1/2" (64 mm) D x 23-3/8" (593 mm) H	15-3/8" (391 mm)	FLW18	Orion Gray	\$137.30

### Wire Door Mount Spice Rack

565-8-52	Spice Rack	7-7/8" (200 mm) W x 2-3/8" (61 mm) - 4-1/8" (105 mm) D x 21-3/8" (543 mm) H	9-3/8" (238 mm)	FLW12	White	\$42.30
565-10-52	Spice Rack	10-5/8" (270 mm) W x 2-3/8" (61 mm) - 4-1/8" (105 mm) D x 21-3/8" (543 mm) H	11-3/8" (298 mm)	W15	White	\$48.30
565-14-52	Spice Rack	13-5/8" (346 mm) W x 2-3/8" (61 mm) - 4-1/8" (105 mm) D x 21-3/8" (543 mm) H	15-3/8" (391 mm)	FLW18	White	\$50.20

### (20) Wire Door Mount Spice Racks

565-8	Spice Rack	7-7/8" (200 mm) W x 2-3/8" (61 mm) - 4-1/8" (105 mm) D x 21-3/8" (543 mm) H	9-3/8" (238 mm)	FLW12	White	\$39.25 ea.
565-10	Spice Rack	10-5/8" (270 mm) W x 2-3/8" (61 mm) - 4-1/8" (105 mm) D x 21-3/8" (543 mm) H	11-3/8" (298 mm)	W15	White	\$45.40 ea.
565-14	Spice Rack	13-5/8" (346 mm) W x 2-3/8" (61 mm) - 4-1/8" (105 mm) D x 21-3/8" (543 mm) H	15-3/8" (391 mm)	FLW18	White	\$46.85 ea.



# Door Mount Spice Tray

## ST/6571 Series



- Available in 36" or 72" extruded trays, almond or white
- Cut-to-size
- Components include end caps, screws and adhesive (each sold separately)

**NOTE:** 6571-Extruded cut-to-size trays, components must be ordered separately.

\*\* Trays available in two colors-11-White, 15-Almond

6571-36-AL-4

### Door Mount Spice Tray

PRODUCT	DESCRIPTION	DIMS	FINISH	SLP
6571-36-**-4	(20) Trays	36" (914 mm) W x 2-7/16" (62 mm) D x 3-15/16" (100 mm) H	Polymer	\$13.50 ea.
6571-72-**-4	(20) Trays	72" (1829 mm) W x 2-7/16" (62 mm) D x 3-15/16" (100 mm) H	Polymer	\$32.20 ea.

### Bulk Components

ST-97-**-4	(40 pr.) End Caps, Screws			\$7.55 pr.
6571-60-52	Tube of Adhesive	2 Gram		\$5.95
6571-61-52	Bottle of Adhesive	1 Ounce		\$30.90

# Door Mount Foil Rack

## 4WFR Series



- Designed for 15", 18" and 21" wall cabinets
- Maple construction with chrome accents
- Adjustable mounting brackets (US Patent No: 7,204,569)
- TSCA Title VI compliant

4WFR-21-1

### Door Mount Vertical Foil Rack

PRODUCT	DESCRIPTION	DIMS	MCO	CAB	FINISH	SLP
4WFR-15-1	Vertical Foil Rack	10-1/8" (257 mm) W x 4" (102 mm) D x 8" (203 mm) H	11" (279 mm)	W15	Maple	\$64.20
4WFR-18-1	Vertical Foil Rack	13-1/8" (334 mm) W x 4" (102 mm) D x 8" (203 mm) H	13-3/4" (349 mm)	W18	Maple	\$69.40
4WFR-21-1	Vertical Foil Rack	16-1/8" (410 mm) W x 4" (102 mm) D x 8" (203 mm) H	16-5/8" (448 mm)	W21	Maple	\$74.15



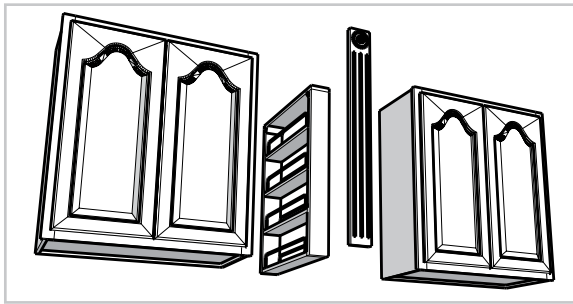
432-WF36-6C

- Available for 3" and 6" wall cabinet applications
- Create a functional storage space behind those decorative panels
- Features adjustable shelves with chrome rails
- Full-extension, ball-bearing, 100 lb. rated, soft-close slides
- Non soft-close available
- Tri-slide design provides stability
- TSCA Title VI compliant

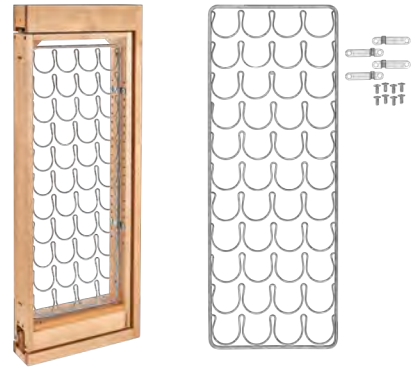
### 5KCUP Accessory

- Holds 44 pods
- Four-screw installation
- Not available for base cabinet application
- For 3" fillers only

**NOTE:** See page 139 for base cabinet version



This product installs between two cabinets. Just add your door front



**5KCUP-432-1**  
K-Cup Accessory  
(Shown installed in a 3" Wall filler)



**432-WFBBSC30-3C**  
Wall Cabinet Filler  
(3" version shown)



**432-WF33-6C**  
Wall Cabinet Filler  
(6" version shown)



**432-WFBBSC36-3C**  
Wall Cabinet Filler  
(3" version shown)



**432-WFBBSC39-6C**  
Wall Cabinet Filler  
(6" version shown)



**432-WF42-6C**  
Wall Cabinet Filler  
(3" version shown)

**Tiered Wall Filler Pullout Organizer w/ Ball-Bearing Soft-Close**

PRODUCT	DESCRIPTION	DIMS	FINISH	SLP
432-WFBBSC30-3C	Tiered Filler for 3" Width	3" (76 mm) W x 11-1/8" (283 mm) D x 30" (762 mm) H	Maple	\$162.60
432-WFBBSC33-3C	Tiered Filler for 3" Width	3" (76 mm) W x 11-1/8" (283 mm) D x 33" (838 mm) H	Maple	\$168.50
432-WFBBSC36-3C	Tiered Filler for 3" Width	3" (76 mm) W x 11-1/8" (283 mm) D x 36" (914 mm) H	Maple	\$181.60
432-WFBBSC39-3C	Tiered Filler for 3" Width	3" (76 mm) W x 11-1/8" (283 mm) D x 39" (991 mm) H	Maple	\$184.15
432-WFBBSC42-3C	Tiered Filler for 3" Width	3" (76 mm) W x 11-1/8" (283 mm) D x 42" (1067 mm) H	Maple	\$191.05
432-WFBBSC30-6C	Tiered Filler for 6" Width	6" (152 mm) W x 11-1/8" (283 mm) D x 30" (762 mm) H	Maple	\$202.45
432-WFBBSC33-6C	Tiered Filler for 6" Width	6" (152 mm) W x 11-1/8" (283 mm) D x 33" (838 mm) H	Maple	\$210.25
432-WFBBSC36-6C	Tiered Filler for 6" Width	6" (152 mm) W x 11-1/8" (283 mm) D x 36" (914 mm) H	Maple	\$218.05
432-WFBBSC39-6C	Tiered Filler for 6" Width	6" (152 mm) W x 11-1/8" (283 mm) D x 39" (991 mm) H	Maple	\$223.00
432-WFBBSC42-6C	Tiered Filler for 6" Width	6" (152 mm) W x 11-1/8" (283 mm) D x 42" (1067 mm) H	Maple	\$228.05

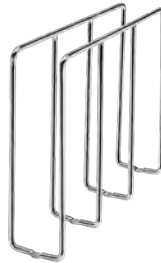
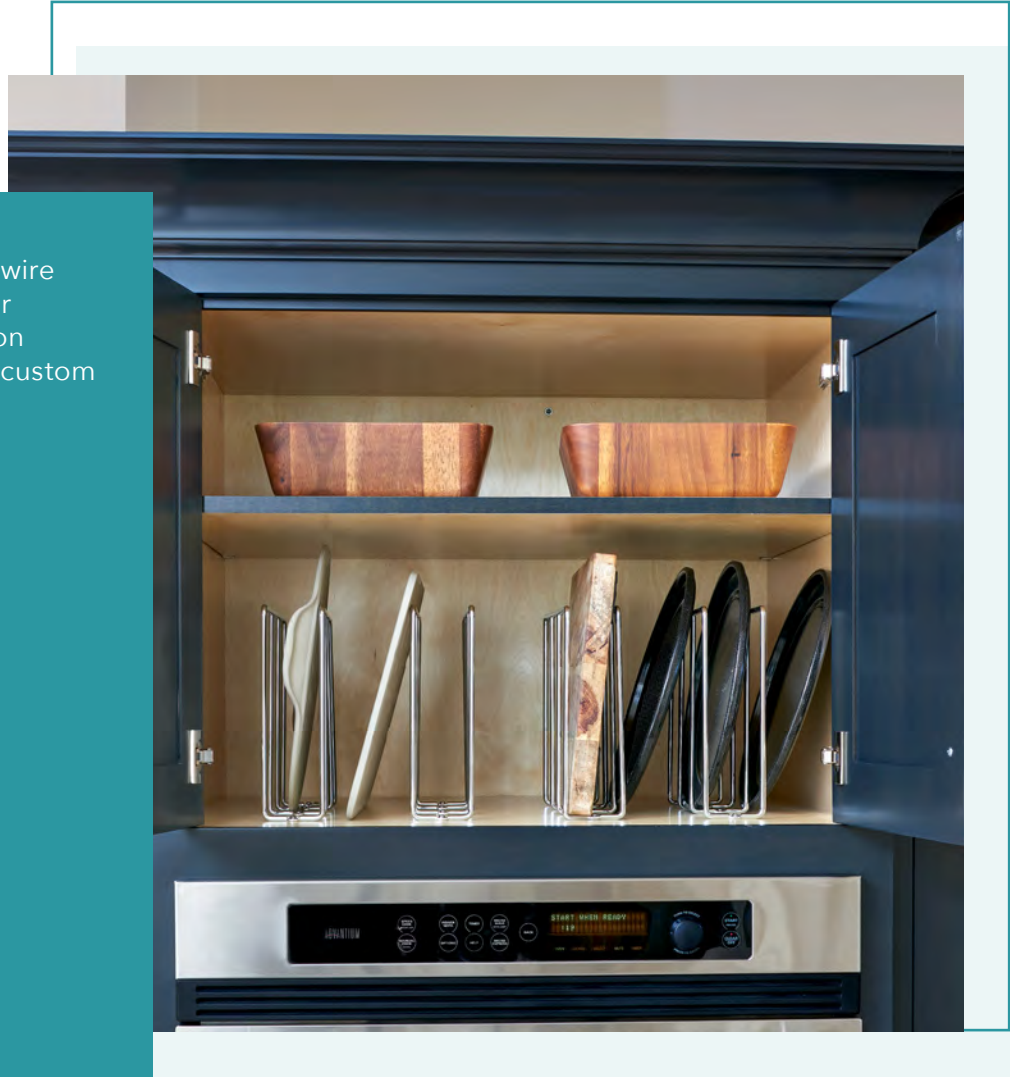
**Tiered Wall Filler Pullout Organizer**

432-WF-3C	Tiered Filler for 3" Width	3" (76 mm) W x 11-1/8" (283 mm) D x 30" (762 mm) H	Maple	\$162.15
432-WF33-3C	Tiered Filler for 3" Width	3" (76 mm) W x 11-1/8" (283 mm) D x 33" (838 mm) H	Maple	\$167.70
432-WF36-3C	Tiered Filler for 3" Width	3" (76 mm) W x 11-1/8" (283 mm) D x 36" (914 mm) H	Maple	\$176.65
432-WF39-3C	Tiered Filler for 3" Width	3" (76 mm) W x 11-1/8" (283 mm) D x 39" (991 mm) H	Maple	\$177.40
432-WF42-3C	Tiered Filler for 3" Width	3" (76 mm) W x 11-1/8" (283 mm) D x 42" (1067 mm) H	Maple	\$188.10
432-WF-6C	Tiered Filler for 6" Width	6" (152 mm) W x 11-1/8" (283 mm) D x 30" (762 mm) H	Maple	\$201.15
432-WF33-6C	Tiered Filler for 6" Width	6" (152 mm) W x 11-1/8" (283 mm) D x 33" (838 mm) H	Maple	\$207.45
432-WF36-6C	Tiered Filler for 6" Width	6" (152 mm) W x 11-1/8" (283 mm) D x 36" (914 mm) H	Maple	\$215.65
432-WF39-6C	Tiered Filler for 6" Width	6" (152 mm) W x 11-1/8" (283 mm) D x 39" (991 mm) H	Maple	\$220.80
432-WF42-6C	Tiered Filler for 6" Width	6" (152 mm) W x 11-1/8" (283 mm) D x 42" (1067 mm) H	Maple	\$227.26

**Accessories**

5KCUP-432-1	K-Cup Accessory	Fits all 432 series 3" Wall Fillers	Chrome	\$27.05
-------------	-----------------	-------------------------------------	--------	---------

- Available in 10" height
- Chrome-plated round wire
- Mounts to cabinet floor
- Easy 4-screw installation
- Use multiple to create custom storage space



**596-10CR-52**  
U-Shaped Tray Organizer

### Chrome Wire U-Shaped Tray Organizer

PRODUCT	DESCRIPTION	DIMS	MCO	FINISH	SLP
596-10CR-52	U-Shaped Tray Divider	3" (76 mm) W x 11-7/8" (302 mm) D x 10" (254 mm) H	3" (76 mm)	Chrome	\$20.60



- Available in 12" and 18" height
- Chrome-plated or powder-coated white round wire
- Mount to cabinet floor and rear wall
- Includes (4) screw-in clips and fasteners each
- Use multiple to create custom storage space

597-18-CR

### White Wire Tray Divider

PRODUCT	DESCRIPTION	DIMS	FINISH	SLP
597-12-52	Tray Divider with Clips	3/4" (19 mm) W x 20" (508 mm) D x 12" (305 mm) H	White Wire	\$9.85

### (10) White Wire Tray Dividers

597-12-10	(10) Tray Dividers with Clips	3/4" (19 mm) W x 20" (508 mm) D x 12" (305 mm) H	White Wire	\$7.55 ea.
-----------	-------------------------------	--------------------------------------------------	------------	------------

### Chrome Wire Tray Divider

597-12CR-52	Tray Divider with Clips	3/4" (19 mm) W x 20" (508 mm) D x 12" (305 mm) H	Chrome Wire	\$13.50
-------------	-------------------------	--------------------------------------------------	-------------	---------

### (10) Chrome Wire Tray Dividers

597-12CR-10	(10) Tray Dividers with Clips	3/4" (19 mm) W x 20" (508 mm) D x 12" (305 mm) H	Chrome Wire	\$10.90 ea.
-------------	-------------------------------	--------------------------------------------------	-------------	-------------

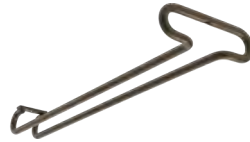


3250SN, 3150-11SN

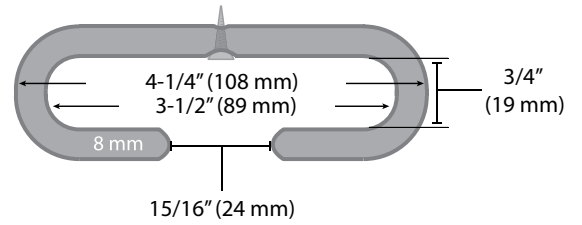
- Available in single 11", 16" and 18" rack
- Heavy gauge wire construction
- Hidden mounting
- Easy installation
- Available in chrome, satin nickel, brass and oil-rubbed bronze
- Quad 11" includes (4) single racks fused together for ease of installation



**3150-11BR**  
11" Stemware Rack  
(Brass finish shown)



**3150-16CR**  
16" Stemware Rack  
(Oil-Rubbed Bronze finish shown)



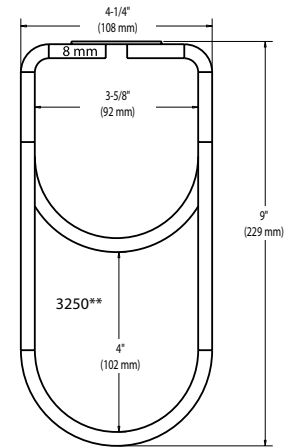
**3450-11SN**  
Quad Stemware Rack  
(Satin Nickel finish shown)



**3150-18CR**  
18" Stemware Rack  
(Chrome finish shown)



**3250SN**  
Double Bottle Rack  
(Satin Nickel finish shown)



#### Wine and Stemware Rack

PRODUCT	DESCRIPTION	DIMS	FINISH	SLP
3150-11CR	11" Stemware Rack	4-1/4" (108 mm) W x 11" (280 mm) D x 1-1/2" (38 mm) H	Chrome	\$9.15
3150-16CR	16" Stemware Rack	4-1/4" (108 mm) W x 16" (407 mm) D x 1-1/2" (38 mm) H	Chrome	\$10.65
3150-18CR	18" Stemware Rack	4-1/4" (108 mm) W x 18" (457 mm) D x 1-1/2" (38 mm) H	Chrome	\$11.95
3250CR	Double Bottle Rack	4-1/4" (108 mm) W x 9" (229 mm) H x 5/8" (16 mm) Thick	Chrome	\$15.20
3450-11CR	11" Quad Stemware Rack	17" (432 mm) W x 11" (280 mm) D x 1-1/2" (38 mm) H	Chrome	\$32.90

#### Wine and Stemware Rack

3150-11SN	11" Stemware Rack	4-1/4" (108 mm) W x 11" (280 mm) D x 1-1/2" (38 mm) H	Satin Nickel	\$10.35
3150-16SN	16" Stemware Rack	4-1/4" (108 mm) W x 16" (407 mm) D x 1-1/2" (38 mm) H	Satin Nickel	\$12.25
3150-18SN	18" Stemware Rack	4-1/4" (108 mm) W x 18" (457 mm) D x 1-1/2" (38 mm) H	Satin Nickel	\$13.75
3250SN	Double Bottle Rack	4-1/4" (108 mm) W x 9" (229 mm) H x 5/8" (16 mm) Thick	Satin Nickel	\$17.10
3450-11SN	11" Quad Stemware Rack	17" (432 mm) W x 11" (280 mm) D x 1-1/2" (38 mm) H	Satin Nickel	\$38.50

#### Wine and Stemware Rack

3150-11BR	11" Stemware Rack	4-1/4" (108 mm) W x 11" (280 mm) D x 1-1/2" (38 mm) H	Brass	\$10.65
3150-16BR	16" Stemware Rack	4-1/4" (108 mm) W x 16" (407 mm) D x 1-1/2" (38 mm) H	Brass	\$12.80
3150-18BR	18" Stemware Rack	4-1/4" (108 mm) W x 18" (457 mm) D x 1-1/2" (38 mm) H	Brass	\$14.30
3250BR	Double Bottle Rack	4-1/4" (108 mm) W x 9" (229 mm) H x 5/8" (16 mm) Thick	Brass	\$17.85
3450-11BR	11" Quad Stemware Rack	17" (432 mm) W x 11" (280 mm) D x 1-1/2" (38 mm) H	Brass	\$40.10

#### Wine and Stemware Rack

3150-11ORB	11" Stemware Rack	4-1/4" (108 mm) W x 11" (280 mm) D x 1-1/2" (38 mm) H	Oil-Rubbed Bronze	\$12.10
3150-16ORB	16" Stemware Rack	4-1/4" (108 mm) W x 16" (407 mm) D x 1-1/2" (38 mm) H	Oil-Rubbed Bronze	\$13.75
3150-18ORB	18" Stemware Rack	4-1/4" (108 mm) W x 18" (457 mm) D x 1-1/2" (38 mm) H	Oil-Rubbed Bronze	\$15.35
3250ORB	Double Bottle Rack	4-1/4" (108 mm) W x 9" (229 mm) H x 5/8" (16 mm) Thick	Oil-Rubbed Bronze	\$21.50
3450-11ORB	11" Quad Stemware Rack	17" (432 mm) W x 11" (280 mm) D x 1-1/2" (38 mm) H	Oil-Rubbed Bronze	\$43.25



SPD-36FOG

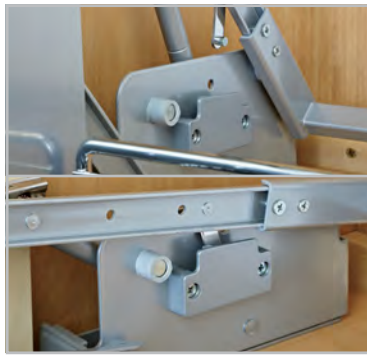
- Designed for 24" and 36" wall cabinets
- Chrome-plated metal frame
- (2) configurations
  - Wire bottom shelves with chrome wire accents
  - Solid bottom walnut shelves with satin finish with orion gray flat wire accents
- Mounts to cabinet floor and side walls
- Side and bottom mount brackets
- Gas-assisted lifting/lowering mechanism
- Locks into down position for hands-free accessibility
- Pulls down 11-1/2" and out 16-3/4"
- TSCA Title VI compliant

**NOTE:** Weight capacity: 5PD-24CRN: 17 lb., 5PD-36CRN: 26 lb.





Can be side or bottom mounted



Locks into lowered position



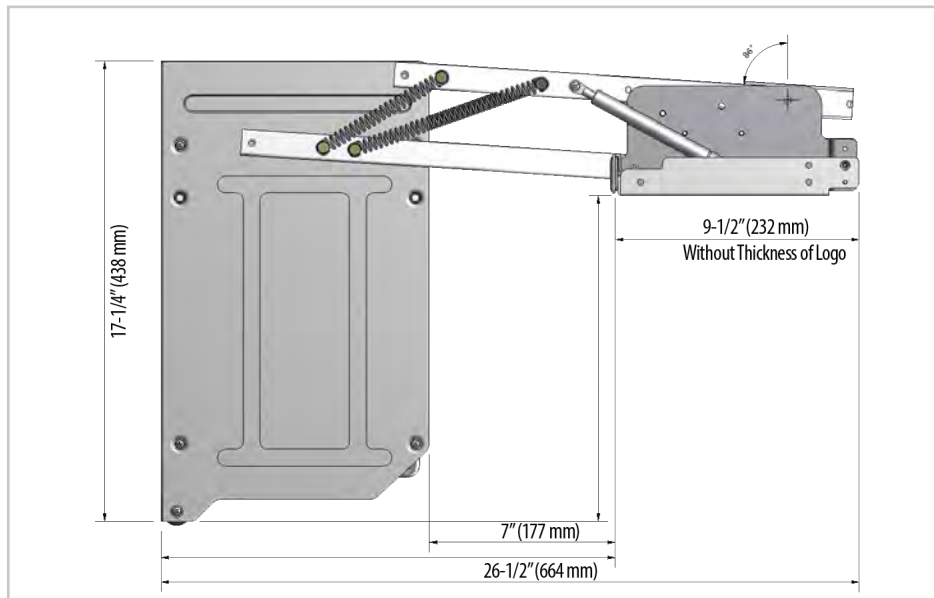
**5PD-24CRN**  
Pull Down Shelving System  
(24" version shown)



**5PD-36CRN**  
Pull Down Shelving System  
(36" version shown)



**5PD-24FOG**  
Solid Bottom Pull Down  
Shelving System  
(24" version shown)



**Pull Down Shelving System**

PRODUCT	DESCRIPTION	DIMS	MCOFL	MCOFF	CAB	FINISH	SLP
5PD-24CRN	Pull Down System	22-1/4" (565 mm) W x 10-1/8" (257 mm) D x 18-3/8" (466 mm) H	22-1/2" (572 mm)	21" (534 mm)	W24	Silver/Chrome	\$524.90
5PD-36CRN	Pull Down System	34" (864 mm) W x 10-1/8" (257 mm) D x 18-3/8" (466 mm) H	34-1/2" (876 mm)	33" (838 mm)	W36	Silver/Chrome	\$556.05

**Solid Bottom Pull Down Shelving System**

5PD-24FOG	Pull Down System	22-1/4" (565 mm) W x 10-1/8" (257 mm) D x 18-3/8" (466 mm) H		21" (534 mm)	W24	Orion Gray/ Walnut	\$561.35
5PD-36FOG	Pull Down System	34" (864 mm) W x 10-1/8" (257 mm) D x 18-3/8" (466 mm) H		33" (838 mm)	W36	Orion Gray/ Walnut	\$617.55



5UPD-24CRN

- Designed for 24" wall cabinets
- Chrome-plated metal frame
- (3) shelves with (4) acrylic bins
- Mounts to cabinet floor and side walls
- Side and bottom mount brackets
- Gas-assisted lifting/lowering mechanism
- Locks into down position for hands-free accessibility
- Pulls down 11-1/2" and out 16-3/4"
- Drop-in dividers, scalloped inserts, and labels

**NOTE:** Weight capacity: 13 lb.



Spices



Beverages



Pet station



Scalloped inserts for medical or spice bottles



Pre-printed and customizable labels

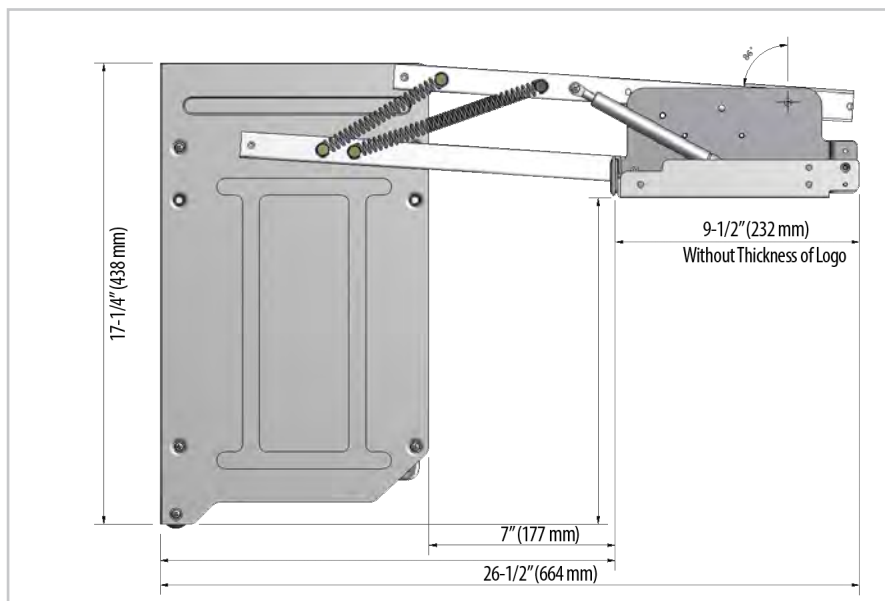


Side Mounted

# UNIVERSAL pull-down



**5UPD-24CRN**  
Universal Pull Down



## Universal Pull Down Shelving System

PRODUCT	DESCRIPTION	DIMS	MCOFL	MCOFF	CAB	FINISH	SLP
5UPD-24CRN	Pull Down	22-1/4" (566 mm) W x 10-1/8" (257 mm) D x 21-1/2" (547 mm) H	22-1/2" (572 mm)	21" (533 mm)	W24	Metal/Chrome	\$962.80

- Designed for 3" and 6" wall cabinet applications
- Natural maple construction with semi-gloss finish
- (1) shelf with chrome wire accents
- Full-extension, ball-bearing, 100 lb. rated slides
- Mounts between cabinets
- Magnetic grade stainless steel panel
- Variety of adjustable hooks and pegs
- Additional accessory hooks and pegs available (sold separately, pg. 143)
- TSCA Title VI compliant



Wall Solutions



434-WF-6SS

**NOTE:** See page 142 for base cabinet version

**434-WF-3SS**  
Wall Filler Pullout  
(3" version shown)

**Perforated Wall Filler Organizer Pullout w/ Stainless Steel Panel**

PRODUCT	DESCRIPTION		FINISH	SLP
434-WF-3SS	3" Perforated Filler Organizer	3" (76 mm) W x 11-1/8" (283 mm) D x 30" (762 mm) H	Maple	\$255.80
434-WF-6SS	6" Perforated Filler Organizer	6" (152 mm) W x 11-1/8" (283 mm) D x 30" (762 mm) H	Maple	\$310.00



- Designed for full height 12" wall cabinets
- Natural maple construction with semi-gloss finish
- (1) shelf with chrome wire accents
- (2) Slide configurations"
  - o Full-extension, ball-bearing slides
  - o Full-extension, ball-bearing slides with soft-close
- Mounts to cabinet door and floor
- Patented door mount brackets with micro-adjustment (US Patent No. 8,388,076)
- Magnetic grade stainless steel panel
- Variety of adjustable hooks and pegs
- Adjustable rub bushings
- Additional accessory hooks and pegs available (sold separately pg. 143)
- TSCA Title VI compliant

597-18-CR



**444-WC-5SS**  
Perforated Wall Pullout

**NOTE:** See page 145 for base cabinet version

Wall  
Solutions

### Perforated Wall Organizer Pullout w/ Stainless Steel Panel

PRODUCT	DESCRIPTION		CAB	FINISH	SLP
444-WC-5SS	Wall Pullout	5" (127 mm) W x 10-3/4" (273 mm) D x 26-1/4" (667 mm) H	W9	Maple	\$229.15

### Perforated Wall Organizer Pullout w/ Stainless Steel Panel w/ Ball-Bearing Soft-Close

444-BBSCWC-5SS	Wall Pullout	5" (127 mm) W x 10-3/4" (273 mm) D x 26-1/4" (667 mm) H	W9	Maple	\$273.20
----------------	--------------	---------------------------------------------------------	----	-------	----------