



Furniture, Cabinet and Display Lighting Systems





Richelieu Hardware Ltd  
7900 Henri-Bourassa Blvd West  
Montreal, Quebec, Canada H4S 1V4

Telephone:  
Canada - 1 800 361-6000  
U.S - 1 800 619-5446

[info@richelieu.com](mailto:info@richelieu.com)  
[www.richelieu.com](http://www.richelieu.com)

Subject to technical changes without  
prior notice. Position as per 11/2008



# Signs and Symbols



Underwriters Laboratories Inc. – Listing mark for the USA



Underwriters Laboratories Inc. – Listing mark for Canada



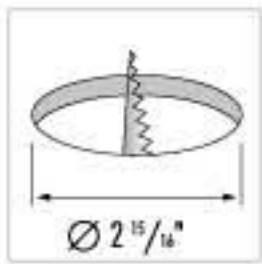
Intertek Testing Services – Listing mark for the USA



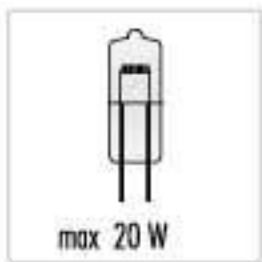
Intertek Testing Services – Listing mark for Canada



New York City Department of Buildings



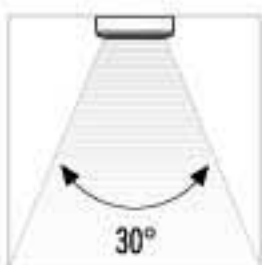
Necessary hole diameter for recessed spotlight



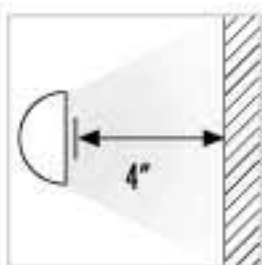
Maximum bulb wattage which can be used in a particular halogen spotlight



Maximum bulb wattage for MR 11 and MR 16 bulbs which can be used in a particular halogen spotlight



Beam angle



Minimum clearance to combustible materials in front of a spotlight





Flex-LED Atlantis



Flex-LED Edenroc



Flex-LED Side Mount

## What you'll need to buy

### Spotlights

#### Flex-LED

##### Warm White

Finish	Code No.
Matte Chrome	FLEXLED/WW/MCH

#### Flex-LED Atlantis

Finish	Code No.
Matte Chrome	ATLANTIS/WW/MCH

#### FLEX-LED Edenroc

Finish	Code No.
Matte Chrome	EDENROC/WW/MCH

#### FLEX-LED SIDE MOUNT - left

Finish	Code No.
Matte Chrome	SIDE/L/S/WW

#### FLEX-LED SIDE MOUNT - right

Finish	Code No.
Matte Chrome	SIDE/R/S/WW

##### Cool White

Finish	Code No.
Matte Chrome	FLEXLED/CW/MCH

Finish	Code No.
Matte Chrome	ATLANTIS/CW/MCH

Finish	Code No.
Matte Chrome	EDENROC/CW/MCH

Finish	Code No.
Matte Chrome	SIDE/L/S/CW

Finish	Code No.
Matte Chrome	SIDE/R/S/CW

### LED Power Supply (for specs refer to pages 38 - 39)

Description	Code No.
Constant Current Driver 9 Watt	PSLED/A
Constant Current Driver 18 Watt	PSLED/18

Constant Current Driver 9 Watt switch compatible, to be used with FlexLED Edenroc or SIDE MOUNT	PSLEDA/Line
--	-------------



# Flex-LED



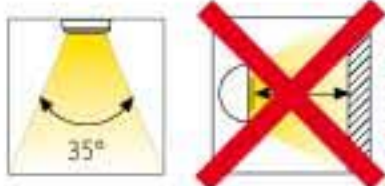
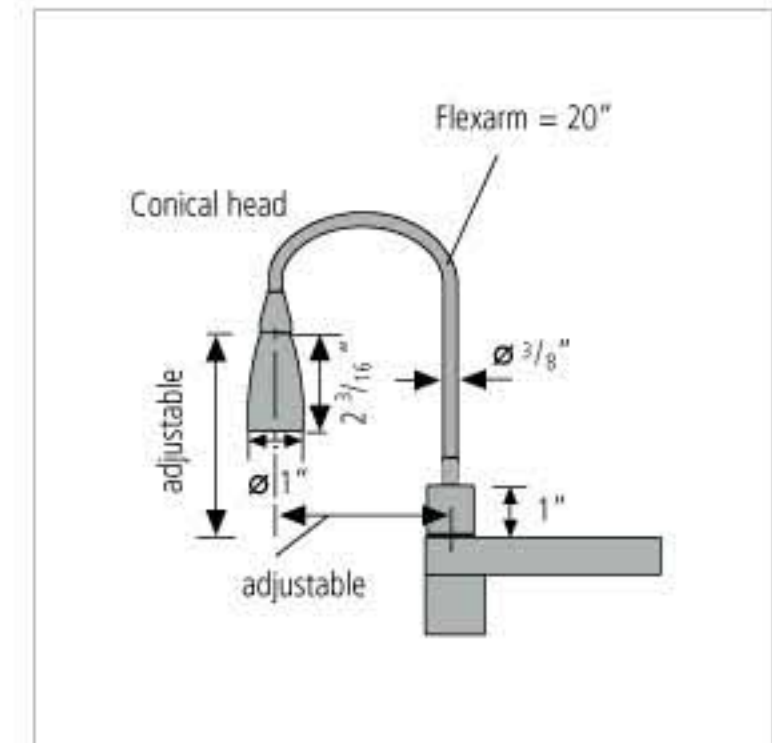
Flex-LED

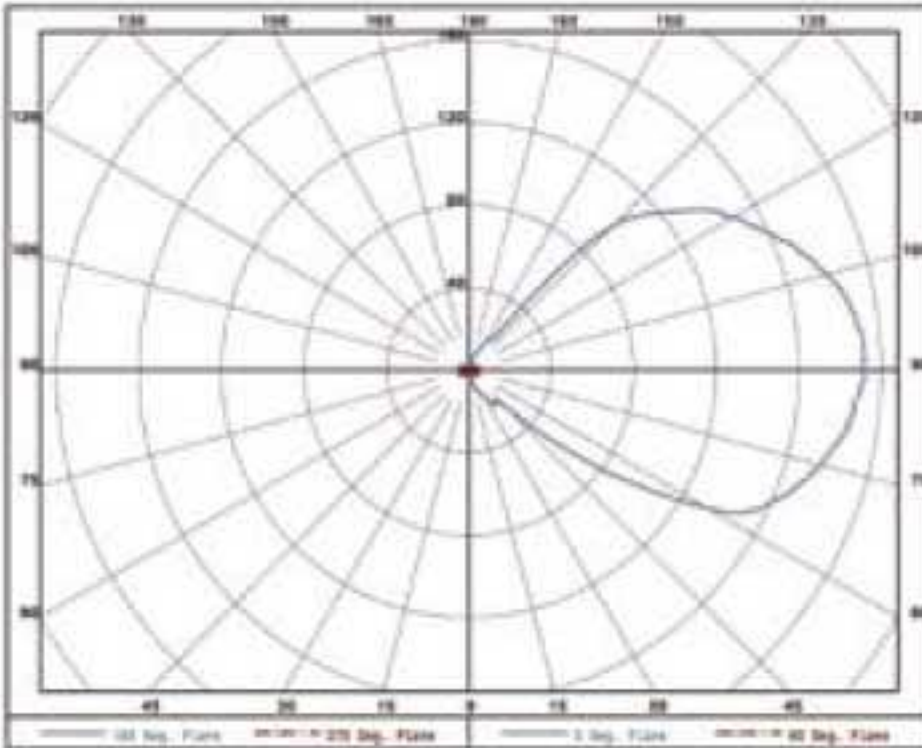
## Flexarm LED Spotlight

Ideal for display application or as a reading light in headboards. The flexible arm allows an exact direction of the light. The 1 W high power LED provides a good light output without any heat or UV radiation, allowing you to directly illuminate even the most sensitive products.

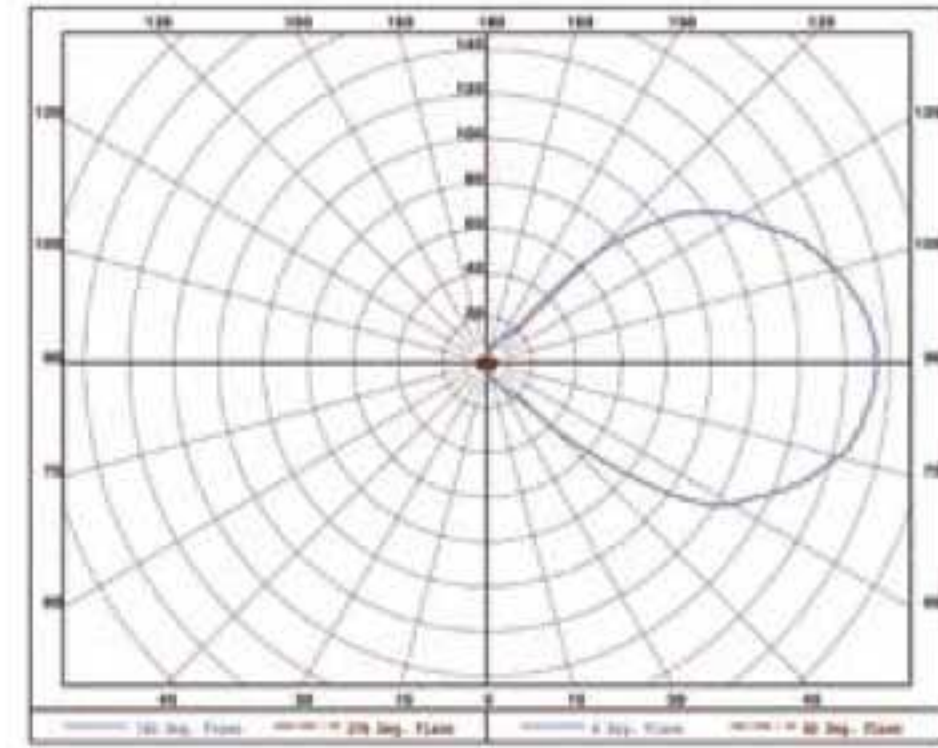
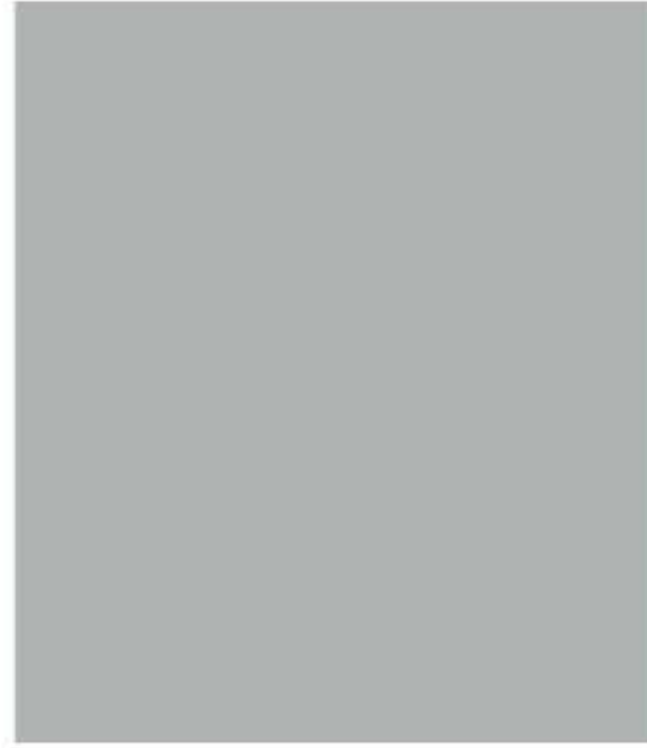
## Product-Features

- 20" long Flexarm
- 1 W high-power LED
- Ready to connect to 350 mA constant current power supply, 51" connecting cable with plug-in connector attached
- Available with cool white or warm white LED
- Finish: matte chrome
- Special order colors and sizes are available for minimum quantities
- Four different versions
- Additional LED connecting cables are available in 36" and 72"





Tower-LED warm white



Tower-LED cool white

## What you'll need to buy

### Light Fixtures

#### Tower-LED

##### Warm White

Finish	Code No.
Brushed Aluminum	TOWER-LED/WW

##### Cool White

Finish	Code No.
Brushed Aluminum	TOWER-LED/CW

### LED Power Supply

Each Tower-LED comes complete with its own constant current driver



# Tower-LED

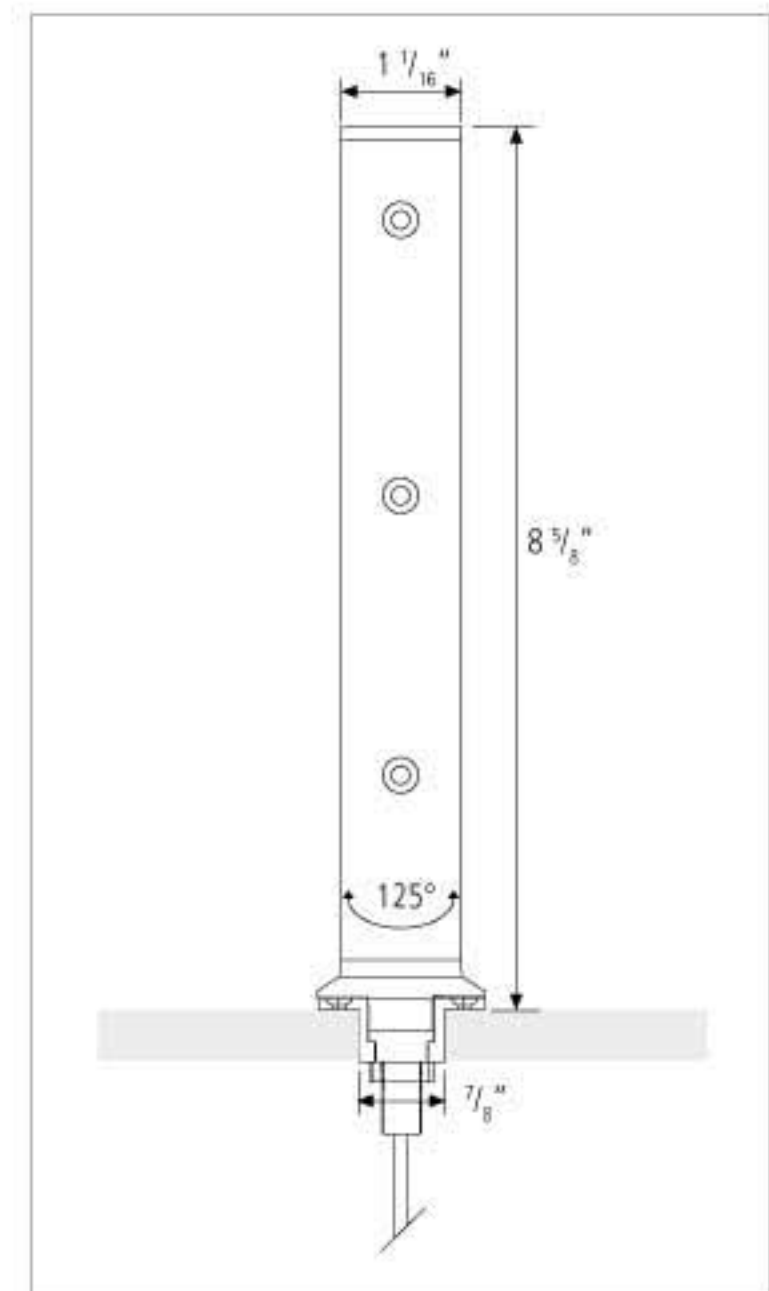


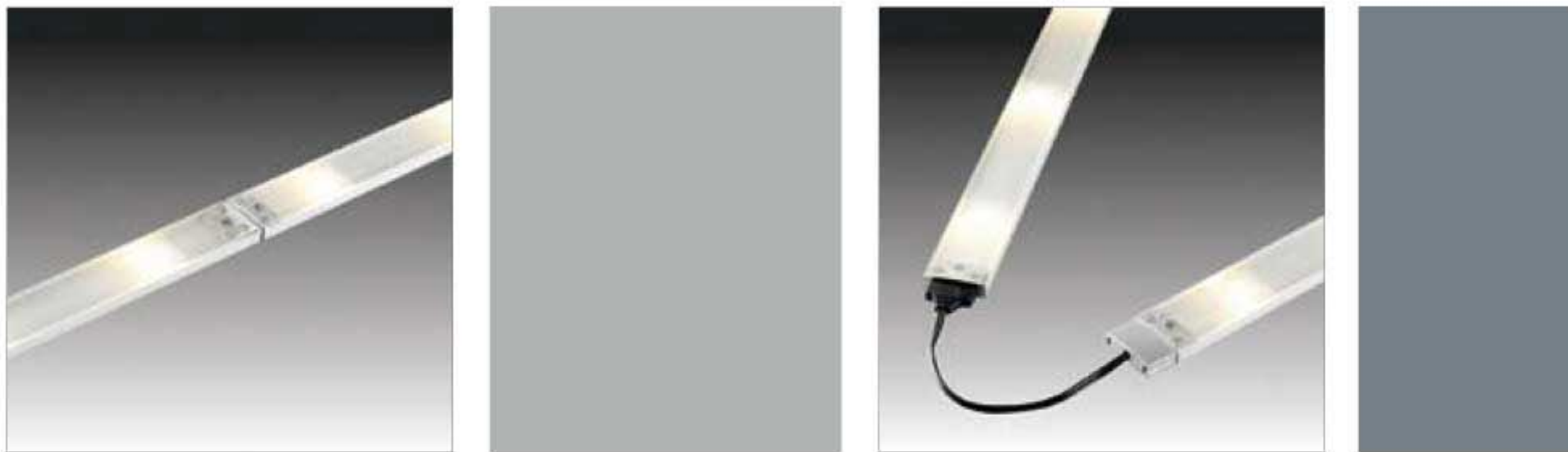
## High Output Display Case LED Lighting With 3 W Diodes

Hera's new Tower-LED is the ideal lighting solution for display cases. Featuring the latest generation 3 W high output LED diodes, Tower-LED provides an extremely high and even light output. The light fixture swivels 125° and is particularly suitable for installation in jewelry cases, bringing out the sparkle in your diamonds.

### Product-Features

- High quality, brushed aluminum and plexiglas housing
- 3 x 3 W high power LEDs
- Available with cool white or warm white LEDs
- Height: 8 1/2", diameter: 1 1/4"
- Swivels 125°
- Very easy installation
- Attached 79" connecting cable with plug-in connector
- Comes complete with constant current DC converter





## What you'll need to buy

### Light Fixtures

#### LinkStrip-LED

##### Warm White

Length	Code No.
12"	LINKSTRIPLED/WW

##### Cool White

Length	Code No.
12"	LINKSTRIPLED/CW

### LED Power Supply (for specs refer to pages 38 - 39)

Description	Code No.
Constant Current Driver 9 Watt	PSLED/A
Constant Current Driver 18 Watt	PSLED/18

### Cables and Connectors

Description	Code No.
Connecting cable 6"	LINKSTRIPCC6
Connecting cable 12"	LINKSTRIPCC12
Connecting cable 36"	LINKSTRIPCC36



# LinkStrip-LED

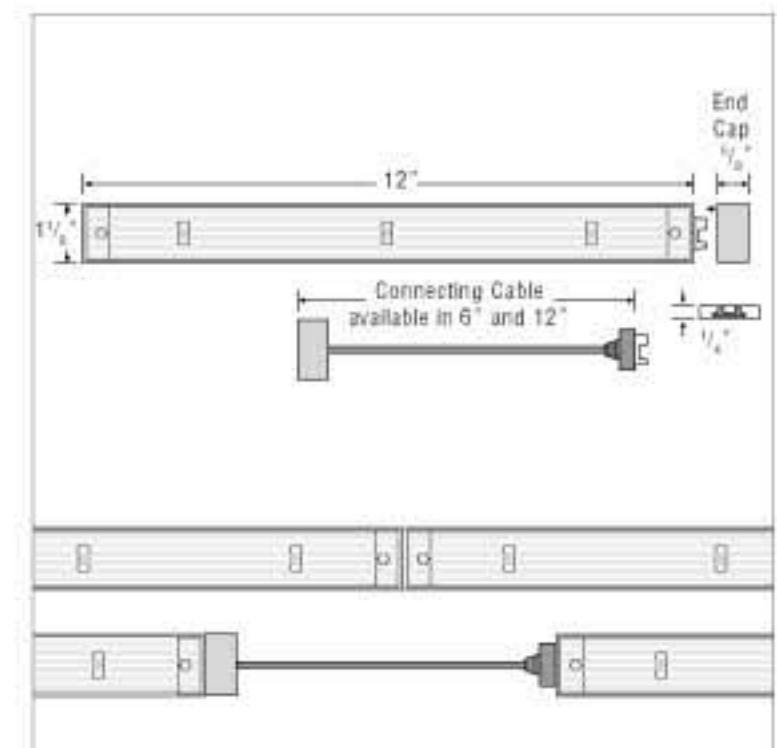


## Linear LED Lighting With Integrated Connecting System

Hera's new LinkStrip-LED is the ideal lighting solution for showcases, displays or under cabinets. It uses the latest generation 1 W high output diodes. The integrated connecting system makes it simple to create continuous lines of LED lighting. The 12" long LED strips can be connected either directly, or, using the optional connecting cables, spaced apart.

## Product-Features

- Anodized aluminum housing with plexiglas cover
- Extremely small dimensions: length: 12", width: 1 1/8", height: 1/4"
- High, even light output
- Integrated connecting system
- Ready to connect to 350 mA constant current power supply
- Available with cool white or warm white LEDs
- Optional connecting cables available in 6", 12" and 36" lengths
- To be used with 350 mA constant current DC converter







## What you'll need to buy

### Light Fixtures

#### TwinStick-LED

##### Warm White

Length	Code No.
8"	TWINSTICKLED8WW
12"	TWINSTICKLED12WW

##### Cool White

Length	Code No.
8"	TWINSTICKLED8CW
12"	TWINSTICKLED12CW

### LED Power Supply

Description	Code No.
Constant Voltage Driver 25 Watt	STICKPS24/25
Constant Voltage Driver 30 Watt	STICKPS24/30
Constant Voltage Driver 60 Watt	STICKPS24/60

### Cables and Connectors

Description	Code No.
Power Cord	TWINSTICKPC
Connecting cable 1"	TWINSTICKCC1
Connecting cable 12"	TWINSTICKCC12
Connecting cable 39"	TWINSTICKCC39
90° Connector left	TWINSTICK90DC/L
90° Connector right	TWINSTICK90DC/R

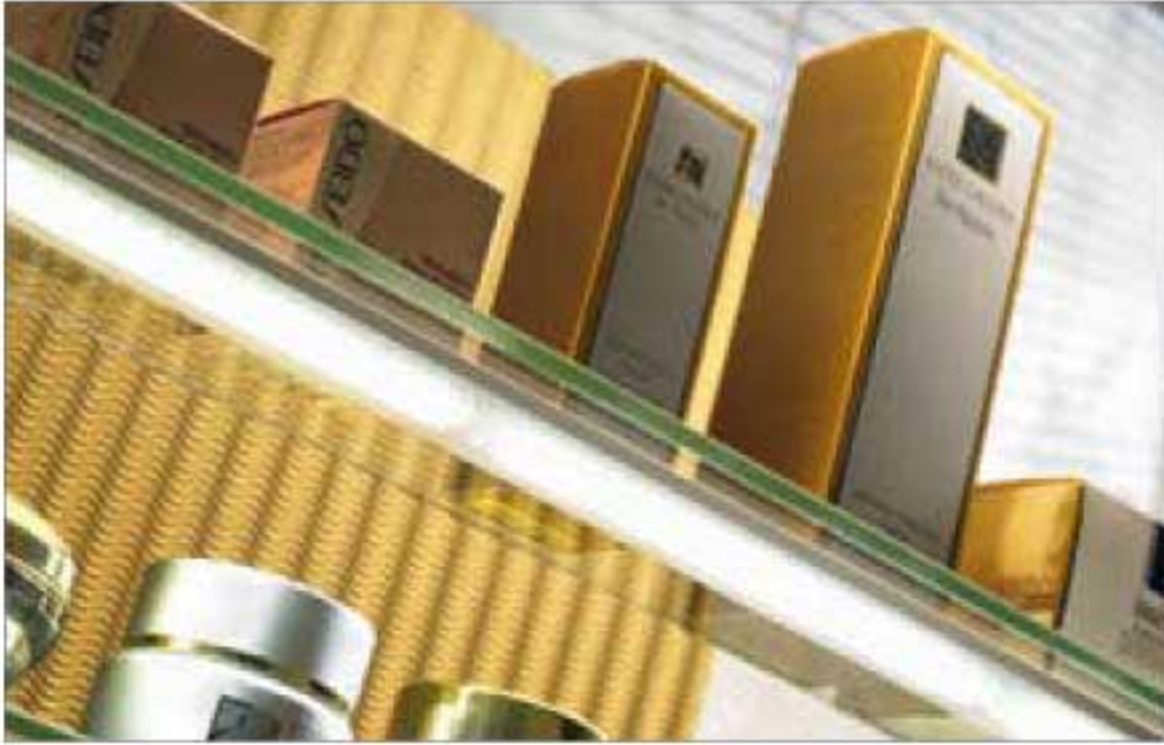
### Optional accessories

Description	Code No.
Dimmer	STICKPSDIM
Dimmer controller	DIMCONTROL



# TwinStick-LED

NEW

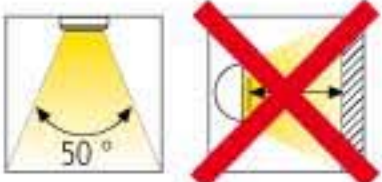
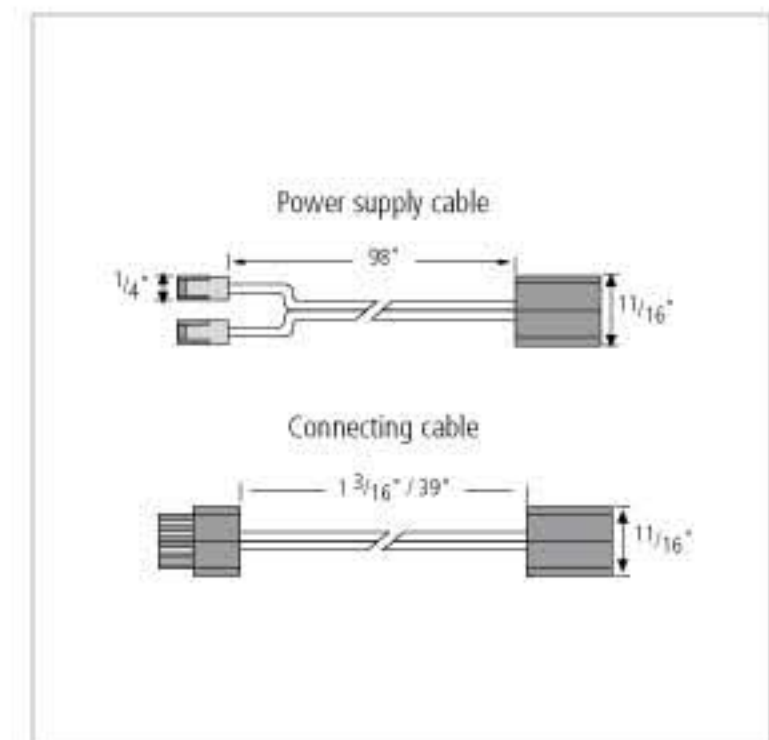
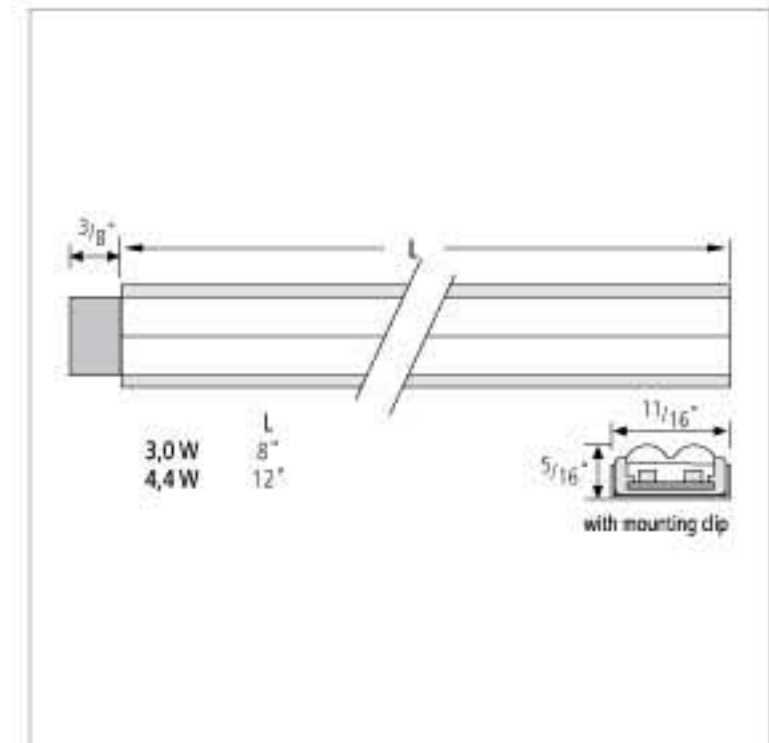


## Extremely Compact Linear LED Lighting With Integrated Connecting System

Hera's brand new TwinStick-LED is the latest linear LED lighting solution. With an extremely high light output, similar to T5 fluorescent light fixtures, these compact strips are ideal for commercial applications such as store fixtures or displays. Low energy consumption and virtually no maintenance (life time 30,000 hours) are additional benefits. TwinStick-LEDs feature an integrated connecting system. Up to 8' of TwinStick-LEDs can be connected per run.

## Product-Features

- Aluminum and plexiglas housing
- Extremely small dimensions: width:  $1\frac{1}{16}$ " , height:  $\frac{5}{16}$ "
- Light fixture can be recessed (flush with board) or surface mounted
- Available in two different sizes: 8" (3.0 W) and 12" (4.4 W)
- Available with cool white and warm white LEDs, as well as special color for meat cases
- Extremely high, even light output
- 30,000 hours useable life
- Up to 8' of Twinstick-LEDs can be connected per run
- LED connecting cables are available in  $1\frac{3}{16}$ " , 12" and 39" lengths
- Power supply cable 98" to be ordered separately
- To be used with 24 V DC LED driver







## What you'll need to buy

### Light Fixtures

#### Stick-LED

##### Warm White

Length	Code No.
8"	STICKLED8WW
12"	STICKLED12WW

##### Cool White

Length	Code No.
8"	STICKLED8CW
12"	STICKLED12CW

### LED Power Supply

Description	Code No.
Constant Voltage Driver 25 Watt	STICKPS24/25
Constant Voltage Driver 30 Watt	STICKPS24/30
Constant Voltage Driver 60 Watt	STICKPS24/60

### Cables and Connectors

Description	Code No.
Power Cord	STICKPC
Connecting cable 1"	STICKCC1
Connecting cable 12"	STICKCC12
Connecting cable 39"	STICKCC39
90° Connector left	STICK90DC/L
90° Connector right	STICK90DC/R

### Optional accessories

Description	Code No.
Dimmer	STICKPSDIM
Dimmer controller	DIMCONTROL
Receptacle - wood	STICKRCW
Receptacle - metal	STICKRCM



# Stick-LED

NEW

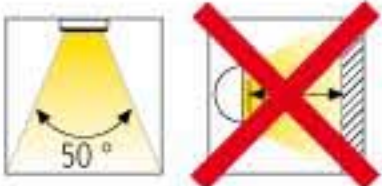
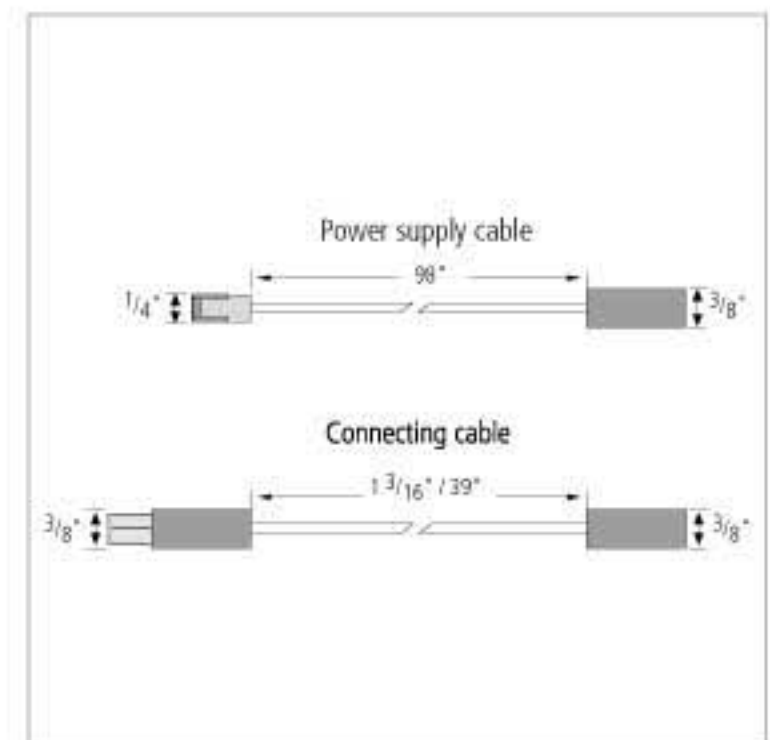
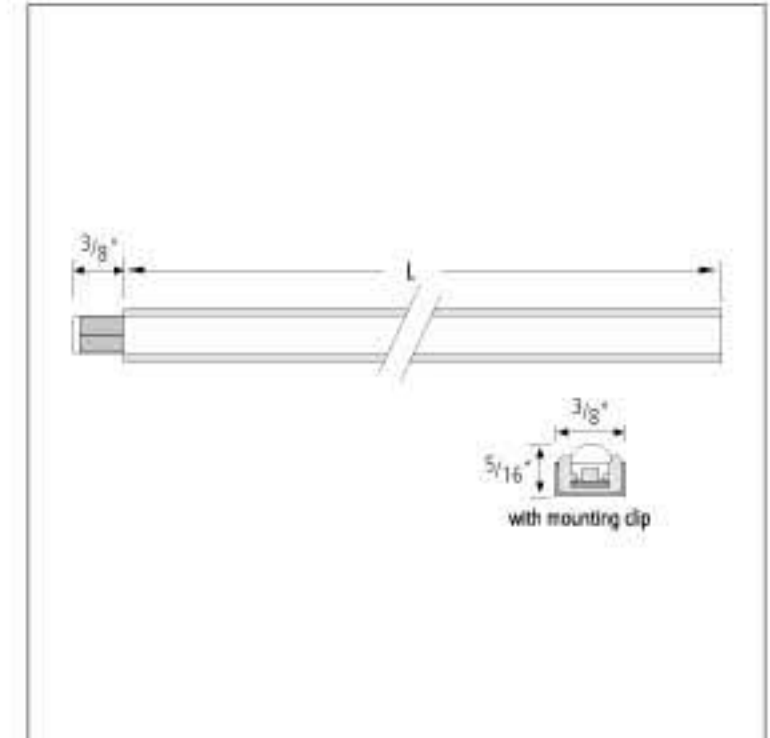


## Miniature Linear LED Lighting With Integrated Connecting System

Stick-LED is Hera's latest linear LED lighting solutions. These ultra-compact strips of LED lighting feature a very high and even light output and an integrated connecting system. Up to 8' of Stick-LEDs can be connected per run. Stick-LEDs are perfect for furniture, cabinets and displays. They are also the ideal lighting solution for cooler and freezer cases.

## Product-Features

- Aluminum and plexiglas housing
- Extremely small dimensions: width:  $\frac{3}{8}$ " , height:  $\frac{5}{16}$ "
- Light fixture can be recessed (flush with board) or surface mounted
- Available in two different sizes: 8" (1.6 W) and 12" (2.4 W)
- Available with cool white and warm white LEDs, as well as special color for meat cases
- Extremely high, even light output
- 30,000 hours useable life
- Up to 8' of Stick-LEDs can be connected per run
- LED connecting cables are available in 1  $\frac{3}{16}$ " , 12" and 39" lengths
- Power supply cable 98" to be ordered separately
- To be used with 24 V DC LED driver





# HO-LED

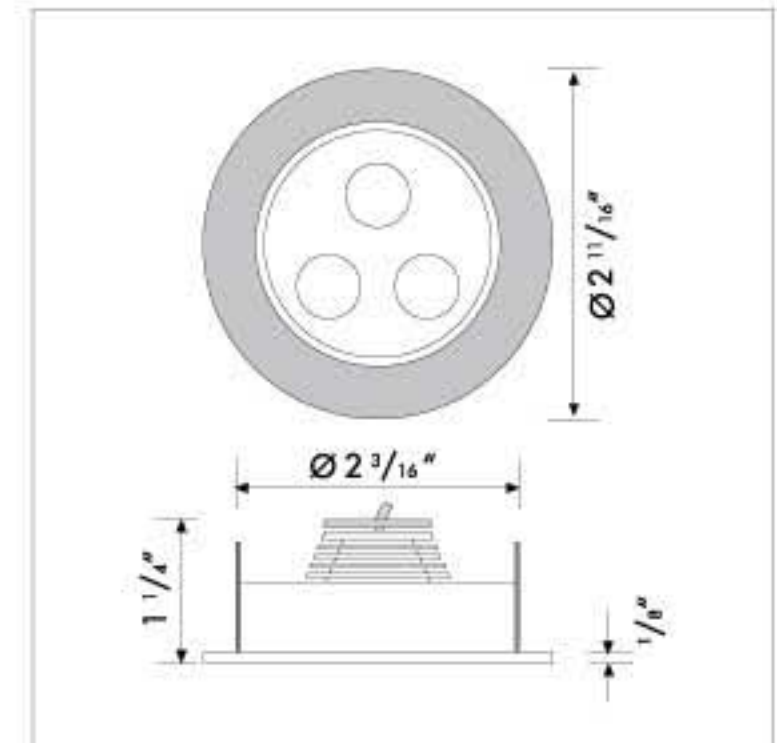


## High Output Swivel And Non-Swivel LED Spotlights

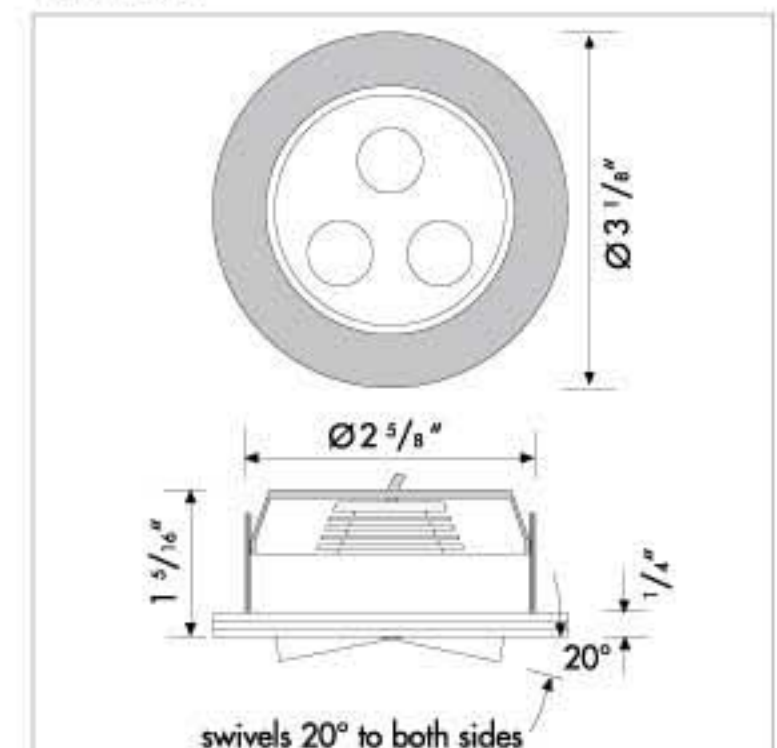
Hera's new swivel and non-swivel HO-LED Spots are ideal for applications where high levels of LED light are desired and minimal installation dimensions are not so important. The spotlights feature integrated 3 x 1 W high power LEDs with full LED optics. HO-LED Spots are perfect for displays, larger showcases and even soffits.

### Product-Features

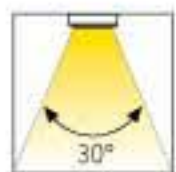
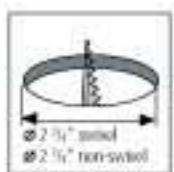
- High quality, brushed aluminum housing
- Swivel (+/- 20 degrees) and non-swivel version available
- 3 x 1 W high power LEDs with full LED optics
- Available with cool white or warm white LEDs
- Recess depth 1 1/8" non-swivel, 1 1/16" swivel
- Friction fit
- Attached 79" connecting cable with plug-in connector
- To be used with 350 mA constant current DC converter
- Additional LED connecting cables are available in 36" and 72"



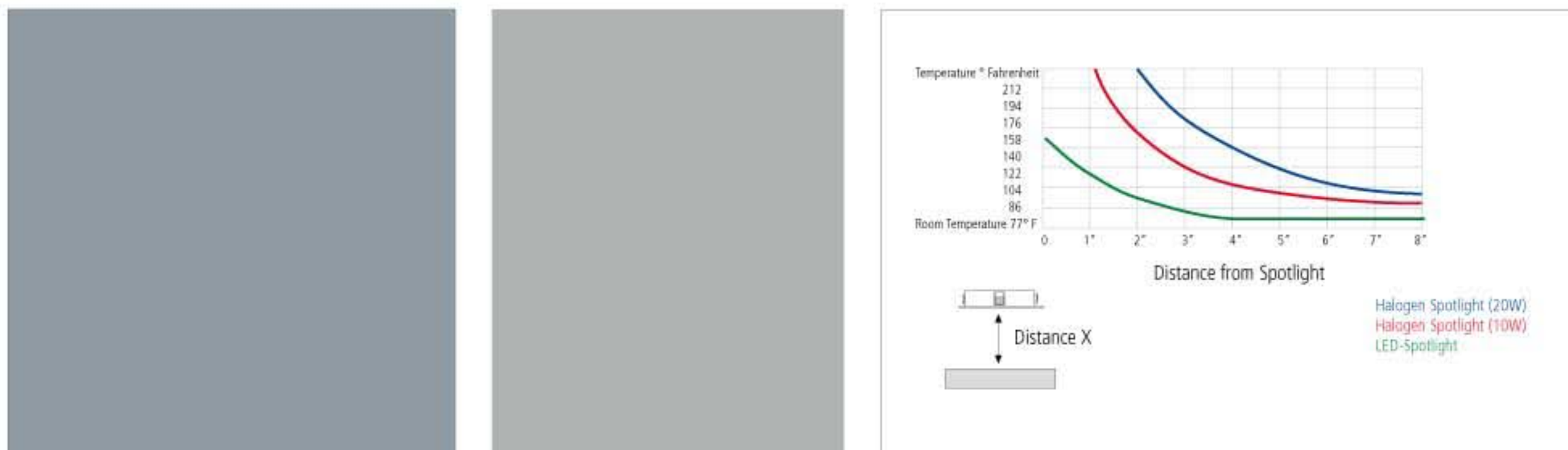
HO-LED 1



HO-LED 2







## What you'll need to buy

### Spotlights

#### EH 24-LED

##### Warm White

Finish	Code No.
White	EH24LED3200WH
Black	EH24LED3200BL
Chrome	EH24LED3200CH
Gold	EH24LED3200GO
Stainless Steel	EH24LED3200SS

##### Cool White

Finish	Code No.
White	EH24LED5500WH
Black	EH24LED5500BL
Chrome	EH24LED5500CH
Gold	EH24LED5500GO
Stainless Steel	EH24LED5500SS

### LED Power Supply (for specs refer to pages 38 - 39)

Description	Code No.
Constant Current Driver 9 Watt	PSLED/A
Constant Current Driver 18 Watt	PSLED/18

### Cables and Connectors

Description	Code No.
Connecting Cable 36"	LEDCC36
Connecting Cable 72"	LEDCC72
Terminal block	TBLED/B

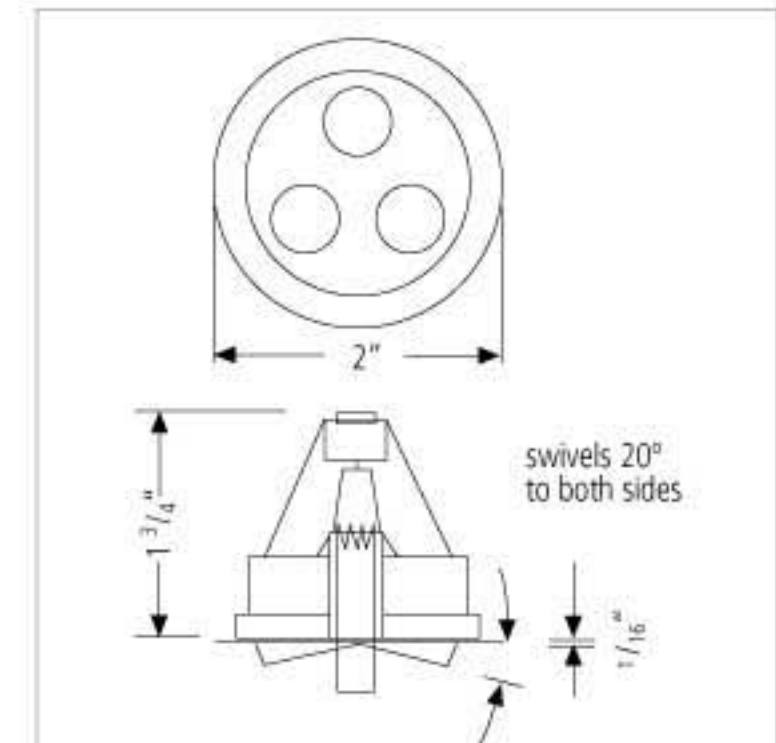


# EH 24-LED



## Recessed Swivel LED Spotlight

Ideally suited for installation inside displays, showcases or cabinets. The swivel feature allows you to direct the light in order to perfectly illuminate merchandise or collectibles. The EH24LED uses the latest generation Power LEDs which offer an equivalent light output to a 20 W halogen spotlight at only a fraction of the energy consumption (3 W). Virtually no heat emission and no ultra-violet radiation guarantee that your products won't be damaged. 50,000 hrs. of usable life make lamp changes a thing of the past.



## Product-Features

- +/- 20 degree swivel
- Recess depth only 1 3/4"
- Only 3 Watt power consumption (3 x 1 Watt LEDs)
- Available with cool white or warm white LEDs
- Metal housing available in: white, black, chrome, gold and stainless steel
- 69" connecting cable with plug-in connector
- To be used with 350 mA constant current DC converter
- Additional LED connecting cables are available in 36" and 72"







## What you'll need to buy

### Spotlights

#### KB12-LED

##### Recessed, warm white

Finish	Code No.
White	KB12LEDWH/WW
Black	KB12LEDBL/WW
Chrome	KB12LEDCH/WW
Gold	KB12LEDGO/WW
Stainless Steel	KB12LEDSS/WW

#### KBS12-LED

##### Surface mounted, warm white

Finish	Code No.
White	KBS12LEDWH/WW
Black	KBS12LEDBL/WW
Chrome	KBS12LEDCH/WW
Gold	KBS12LEDGO/WW
Stainless Steel	KBS12LEDSS/WW

##### Recessed, cool white

Finish	Code No.
White	KB12LEDWH/CW
Black	KB12LEDBL/CW
Chrome	KB12LEDCH/CW
Gold	KB12LEDGO/CW
Stainless Steel	KB12LEDSS/CW

##### Surface mounted, cool white

Finish	Code No.
White	KBS12LEDWH/CW
Black	KBS12LEDBL/CW
Chrome	KBS12LEDCH/CW
Gold	KBS12LEDGO/CW
Stainless Steel	KBS12LEDSS/CW

### LED Power Supply

Description	Code No.
Constant Voltage Driver 25 Watt	STICKPS24/25
Constant Voltage Driver 30 Watt	STICKPS24/30
Constant Voltage Driver 60 Watt	STICKPS24/60



# KB12-LED/KBS12-LED

NEW

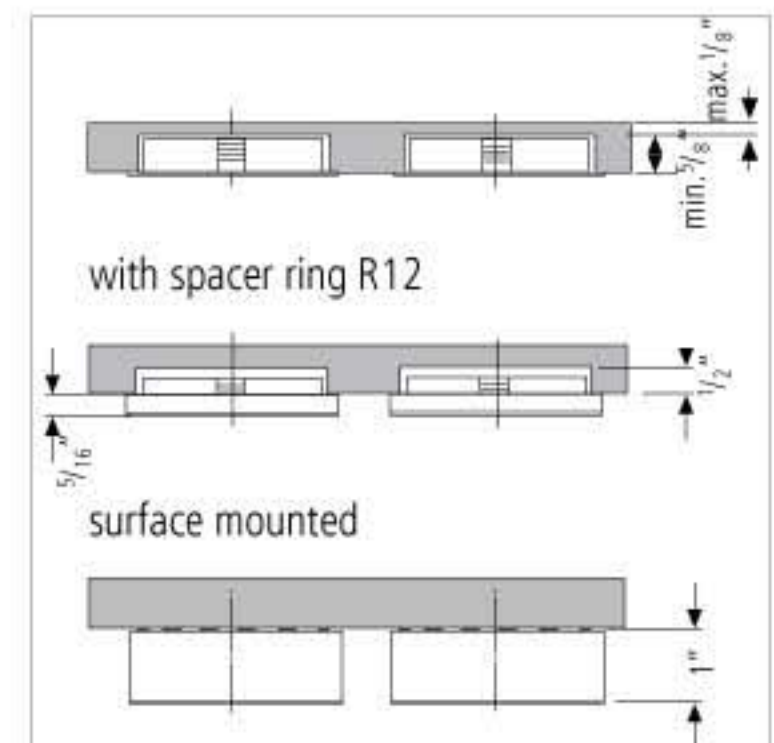
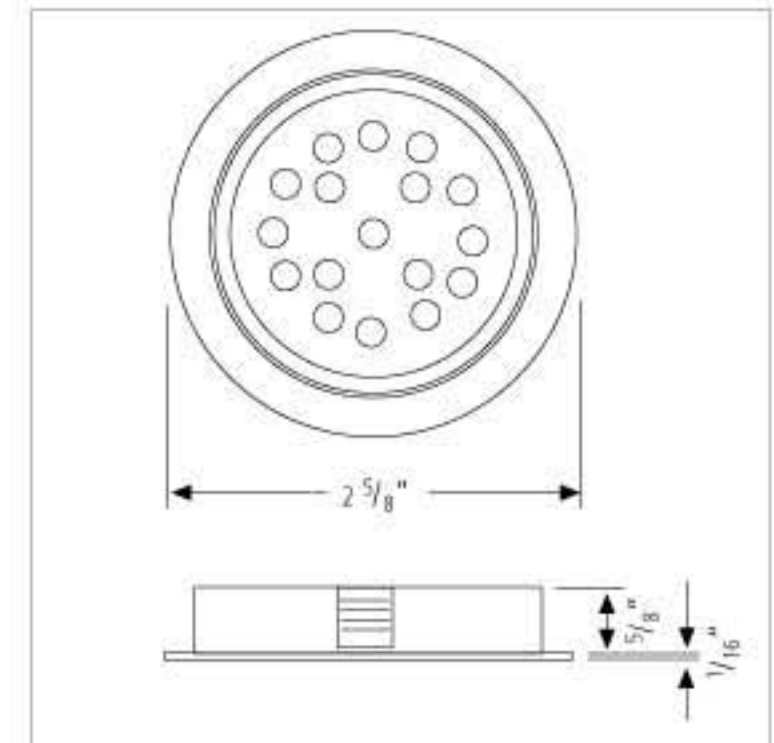


## High Quality LED Spotlight At A Mid Level Price

The KB12-LED is a German made LED spotlight, available at a very attractive price. It features the latest generation SMD LEDs which provide a high and even light output while using only 1.6 W of energy. The KB12-LED can be surface and recessed mounted and is perfect for kitchen cabinet and furniture applications.

## Product-Features

- Recess depth only  $\frac{5}{8}$ " or  $\frac{1}{2}$ " (with spacer ring R12)
- When surface mounted, overall height 1"
- Friction fit
- Only 1.6 Watt power consumption
- Available with cool white or warm white LEDs
- Finishes: white, black, chrome, stainless steel and gold
- Attached 72" connecting cable with plug-in connector
- To be used with 24 V DC LED driver
- Special accessories available:  
R12 – Spacer ring to reduce recess depth







## What you'll need to buy

### Spotlights

#### ARFQ-LED

##### Warm White

Finish	Code No.
White	ARFQLEDWH/WW
Black	ARFQLEDBL/WW
Chrome	ARFQLEDCH/WW
Gold	ARFQLEDGO/WW
Stainless Steel	ARFQLEDSS/WW

##### Cool White

Finish	Code No.
White	ARFQLEDWH/CW
Black	ARFQLEDBL/CW
Chrome	ARFQLEDCH/CW
Gold	ARFQLEDGO/CW
Stainless Steel	ARFQLEDSS/CW

### LED Power Supply (for specs refer to pages 38 - 39)

Description	Code No.
Constant Current Driver 9 Watt	PSLED/A
Constant Current Driver 18 Watt	PSLED/18

### Optional accessories

#### Surface Mount Ring

Finish	Code No.
White	DI14WH
Black	DI14BL
Chrome	DI14CH
Gold	DI14GO
Stainless Steel	DI14SS

#### Cables and Connectors

Description	Code No.
Connecting Cable 36"	LEDCC36
Connecting Cable 72"	LEDCC72
Terminal block	TBLED/B



# ARFQ-LED

**NEW**

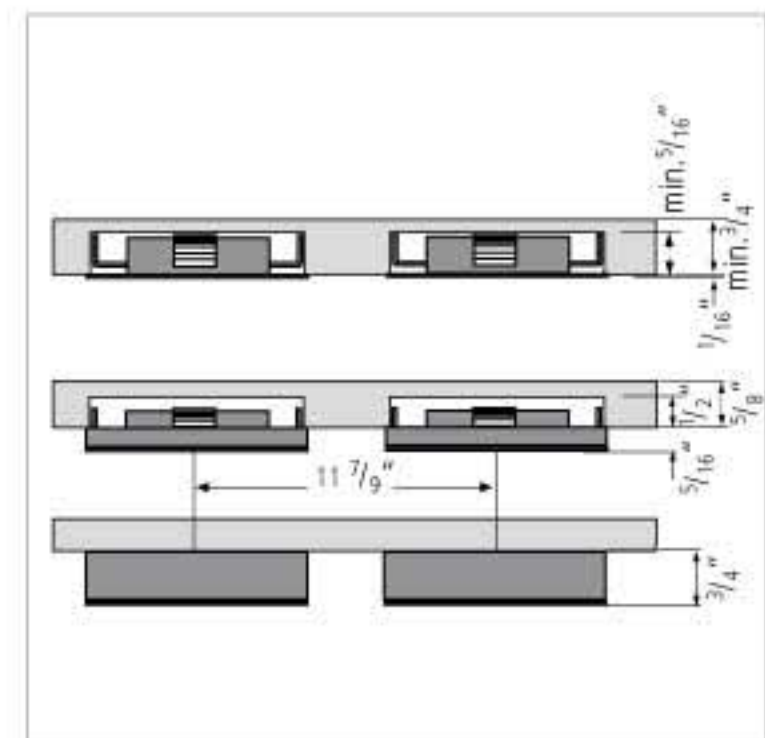
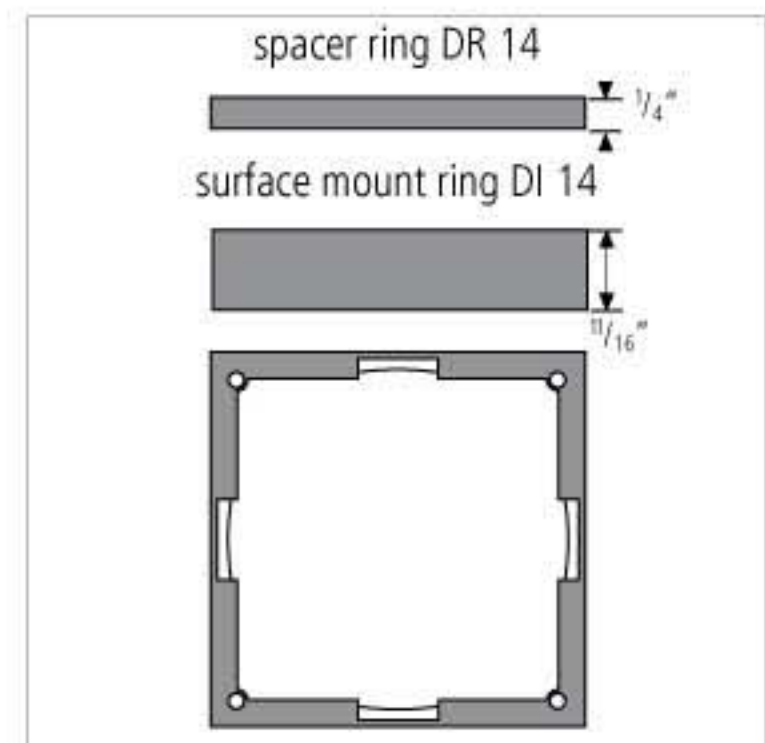
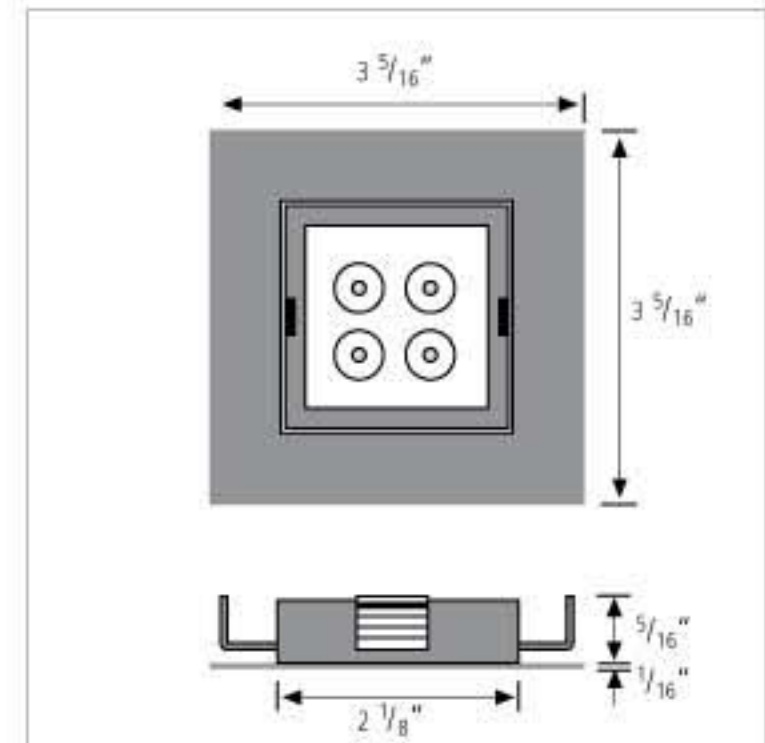


## Powerful LED Cabinet Spotlight With Contemporary Square Design

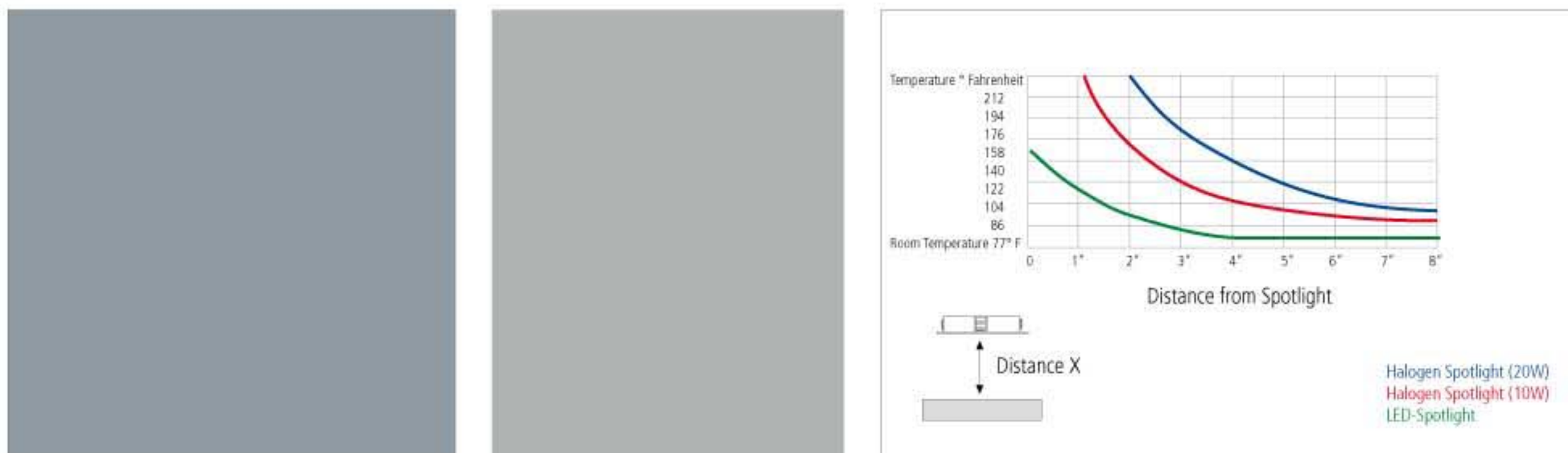
The ARFQ-LED features 4 x 1 W high-power LEDs of the latest generation, guaranteeing a very high and even light output. The square design is perfect for today's contemporary kitchen cabinets, furniture and displays. The spotlight can be recessed or surface mounted.

### Product-Features

- Recess depth only  $\frac{5}{8}$ " or  $\frac{1}{2}$ " (with spacer ring DR14)
- When surface mounted, overall height  $\frac{3}{4}$ "
- Friction fit
- Only 4 Watt power consumption (4 x 1 Watt LEDs)
- Available with cool white or warm white LEDs
- Finishes: white, black, chrome, stainless steel and gold
- Attached 69" connecting cable with plug-in connector
- To be used with 350 mA constant current DC converter
- Special accessories available:  
DR 14 – Spacer ring to reduce recess depth  
DI 14 – Surface mount ring
- Additional LED connecting cables are available in 36" and 72"







## What you'll need to buy

### Spotlights

#### ARF-LED

##### Warm White

Finish	Code No.
White	ARFLED3200WH
Black	ARFLED3200BL
Chrome	ARFLED3200CH
Gold	ARFLED3200GO
Stainless Steel	ARFLED3200SS

##### Cool White

Finish	Code No.
White	ARFLED5500WH
Black	ARFLED5500BL
Chrome	ARFLED5500CH
Gold	ARFLED5500GO
Stainless Steel	ARFLED5500SS

### LED Power Supply (for specs refer to pages 38 - 39)

Description	Code No.
Constant Current Driver 9 Watt	PSLED/A
Constant Current Driver 18 Watt	PSLED/18

### Optional accessories

#### Surface Mount Ring

Finish	Code No.
White	DI13WH
Black	DI13BL
Chrome	DI13CH
Gold	DI13GO
Stainless Steel	DI13SS

#### Cables and Connectors

Description	Code No.
Connecting Cable 36"	LEDCC36
Connecting Cable 72"	LEDCC72
Terminal block	TBLED/B



# ARF-LED

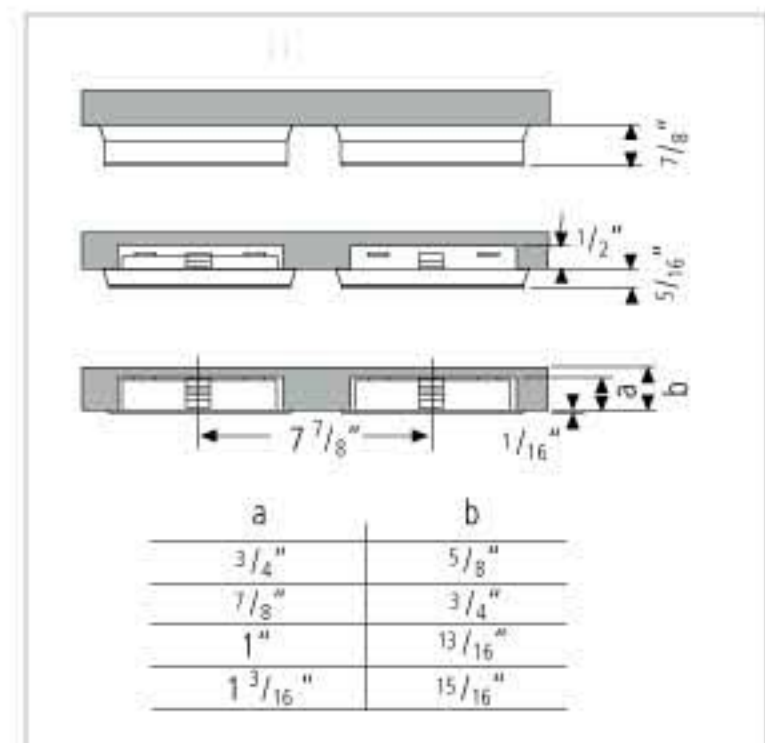
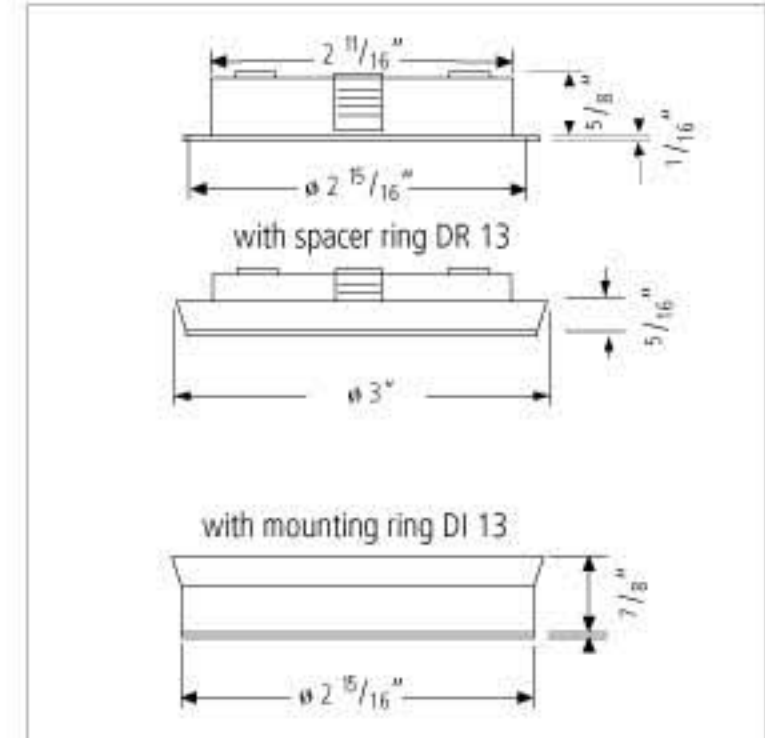


## Low-Profile Recessed Or Surface Mounted LED Spotlight

This friction fit spotlight is designed for installation in kitchen cabinets, displays and furniture. It uses the latest generation Power LEDs which offer an equivalent light output to a 20 W halogen spotlight at only a fraction of the energy consumption (3 W). Virtually no heat emission and no ultraviolet radiation guarantee that your products won't be damaged. 50,000 hrs. of usable life make lamp changes a thing of the past.

### Product-Features

- Recess depth only  $\frac{5}{8}$ " or  $\frac{1}{2}$ " (with spacer ring DR13)
- When surface mounted, overall height  $\frac{7}{8}$ "
- Friction fit
- Only 3 Watt power consumption (3 x 1 Watt LEDs)
- Available with cool white or warm white LEDs
- Finishes: white, black, chrome, stainless steel and gold
- Attached 69" connecting cable with plug-in connector
- To be used with 350 mA constant current DC converter
- Special accessories available:
  - DR13-Spacer ring to reduce recessed depth
  - DI13-Surface mount ring
- Additional LED connecting cables are available in 36" and 72"





# LED-Lighting



## The latest lighting technology for your furniture, cabinets and displays

An LED (Light Emitting Diode) is a semiconductor that emits visible light when an electric current passes through. This new lighting technology offers a lot of benefits for the user:

**Extremely long lifetime:** Hera uses only high quality LEDs with a usable lifetime of at least 50,000 hrs. At this point the LEDs still have 70% of their original light output. Unlike incandescent bulbs which burn-out abruptly LEDs fail by dimming over time. This extremely long lifetime basically eliminates bulb changes; your savings are obvious.

**Lower power consumption:** LEDs require very little energy compared to incandescent or halogen bulbs resulting in significantly lower energy costs for the user.

**High efficiency:** Hera only uses the latest generation of high power LEDs from reputable suppliers such as Luxeon, CREE or Osram. These LEDs are highly efficient and offer a light output of up to 80 lm/W. In comparison, the efficiency of halogen bulbs is approximately 22 lm/W. Not only does this high efficiency save you energy costs but it also helps protecting the environment.

**Virtually no heat:** Since most of the power to an LED is converted into light, minimal heat is produced. They stay cool to the touch which makes them a very safe light source in retail environments (customers can't burn their fingers). They are also ideal for illuminating heat sensitive products such as chocolate or cosmetics.

**No infrared or ultraviolet radiation:** You can illuminate your most sensitive products or collectibles without any risk of fading or damage from the light.

**LEDs are shatter proof:** LEDs are built inside solid cases that protect them, making them virtually impossible to break and very durable. Maintenance is a thing of the past.

These benefits, along with extremely compact dimensions, make LEDs a designer's dream.

Hera has been at the forefront of this new technology. Today we proudly offer you a complete line of LED solutions for unlimited applications. Our engineers will continue to develop innovative products incorporating the advantages LEDs have to offer.