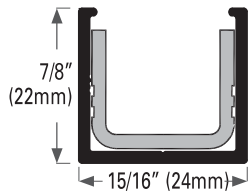
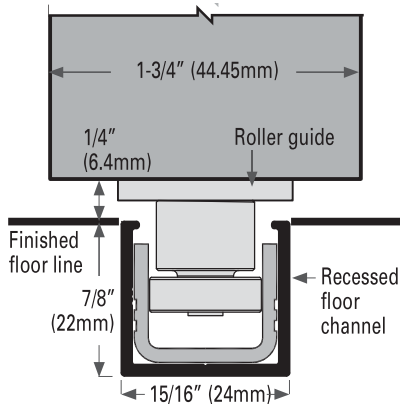


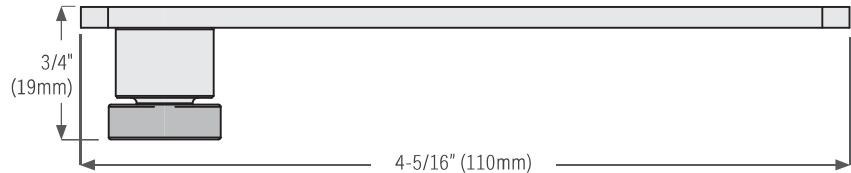
# CS Floor Channel & Bearing Guide System



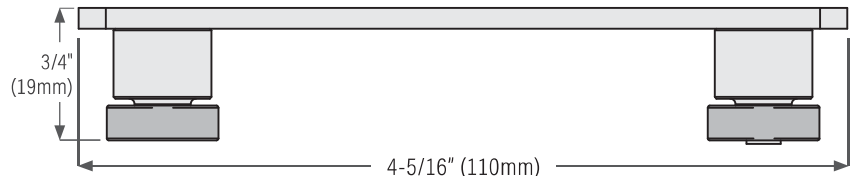
Floor channel, aluminum bronze anodized with pvc insert.



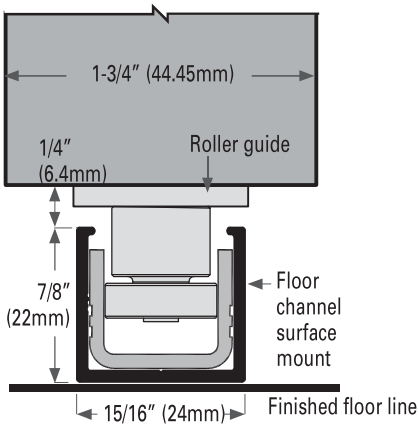
Bottom guide, ball bearing roller (stainless steel) for recessed floor channel



Ball bearing single roller, stainless steel



Ball bearing double roller, stainless steel



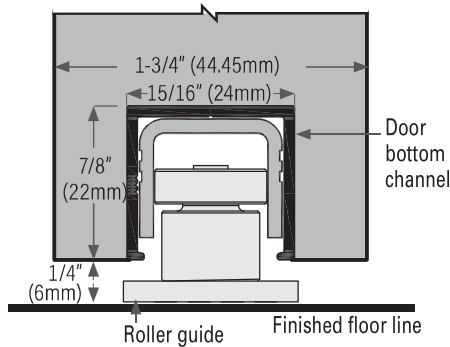
Bottom guide, ball bearing roller (stainless steel) for surface mount floor channel



Ball bearing, double roller, stainless steel



Ball bearing, single roller, stainless steel



Bottom guide, ball bearing roller (stainless steel) for door bottom channel

[www.cavitysliders.com](http://www.cavitysliders.com)

High quality products designed in New Zealand



T (888) 466 0030  
F (310) 769 5824  
E [info@cavitysliders.com](mailto:info@cavitysliders.com)

Cavity Sliders USA Inc.

548 Finney Ct  
Gardena  
CA 90248



**CavitySliders**  
The Pocket Door Experts

© All copyright and other property in this document is reserved by Cavity Sliders USA Inc. Details and specifications are subject to change without notice. Whilst all care is taken to ensure the accuracy of all information, no responsibility will be accepted for any errors or omissions.  
CS FLOOR CHANNEL & BEARING GUIDE SYSTEM (O.D. 1986). 61303 - 03.2019