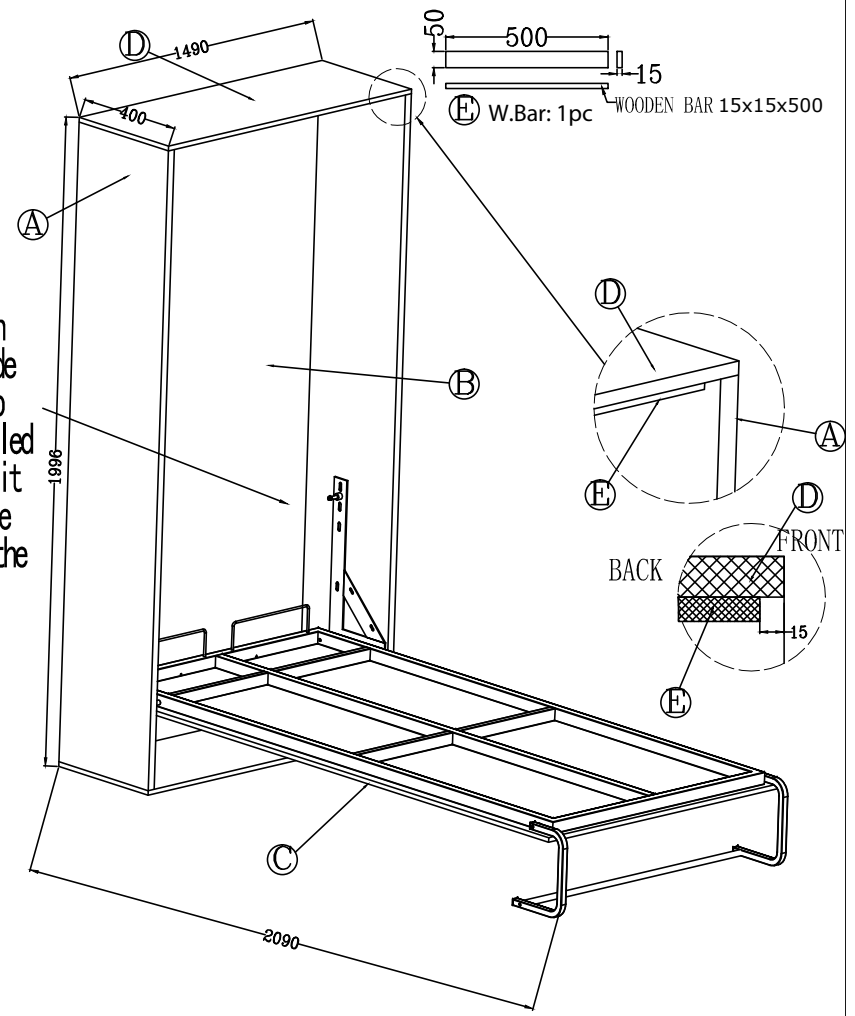


Attn: the connection among back panel, side panel as well as top panel should be assembled at back part so that it will unvisible of the bolt connection from the front



XULT54ECVT	1359x1892