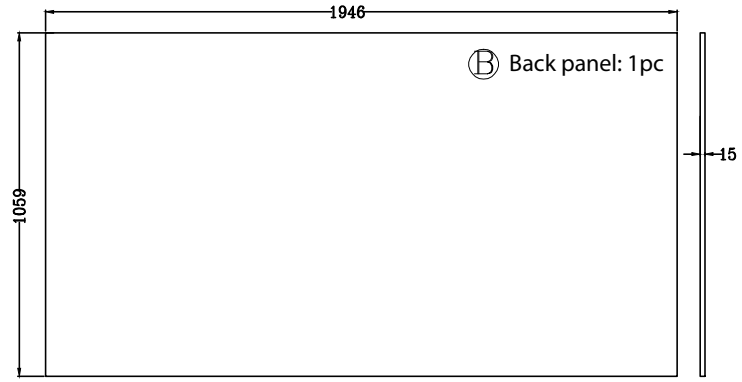
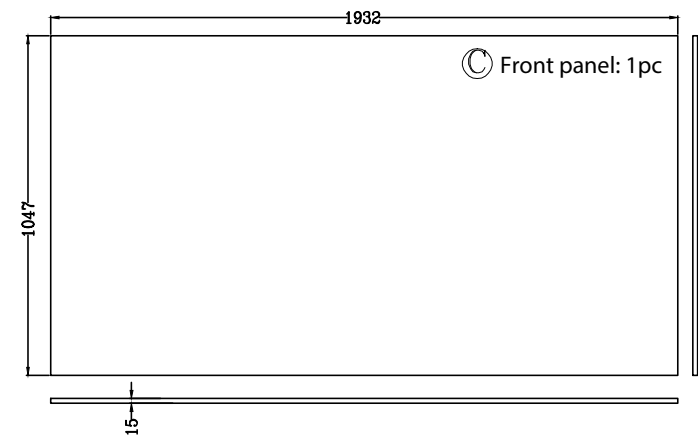


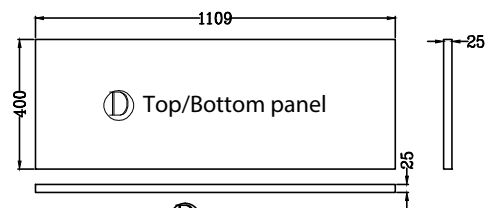
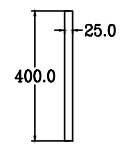
Ⓐ Side panel: 2pcs



Ⓑ Back panel: 1pc

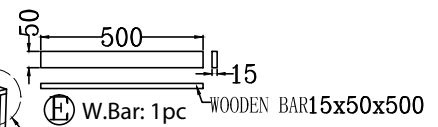


Ⓒ Front panel: 1pc



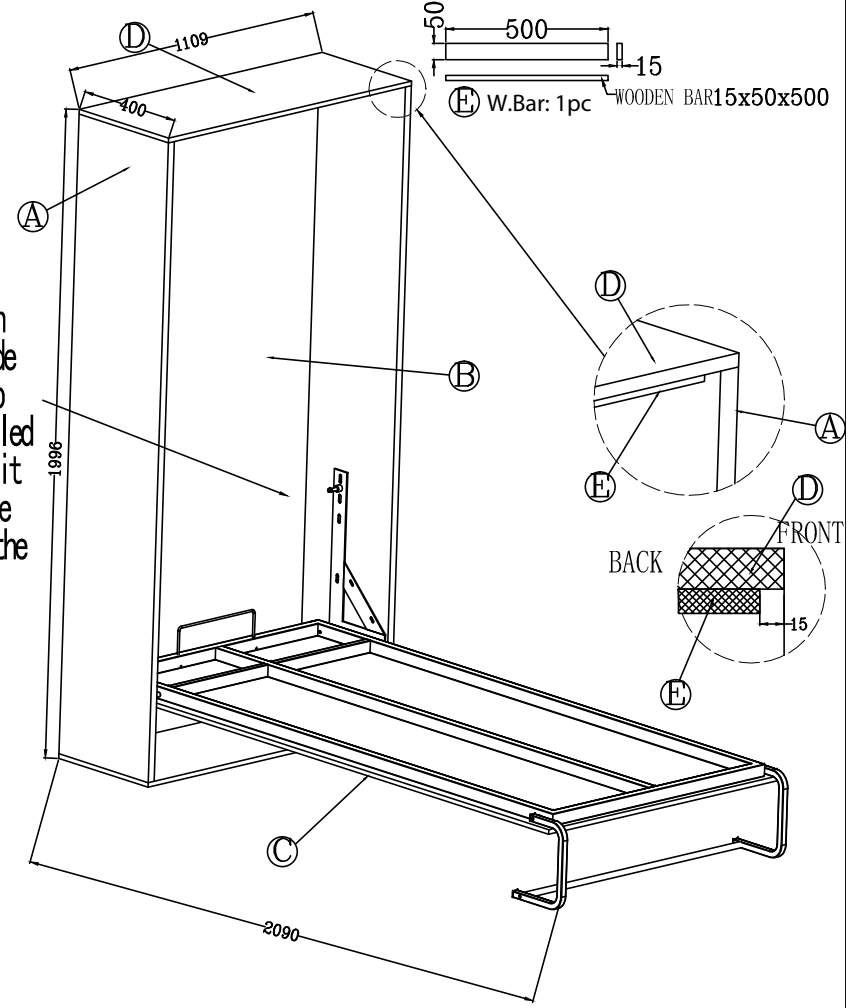
Ⓓ Top/Bottom panel

Ⓓ 2pcs



Ⓔ W.Bar: 1pc

Attn: the connection among back panel, side panel as well as top panel should be assembled at back part so that it will unvisible of the bolt connection from the front



XULT39ECVT 978x1892