

Hardware system for sliding doors weighing up to 160 kg (352 lbs.).

Description

The HAWA-Junior 160/A is a hardware system with bracket suspension for wooden and metal doors weighing up to 160 kg (352 lbs.).

Features of the HAWA-Junior 160/A


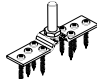


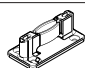
- Galvanized steel top fixing plate for bolting or welding
- Robust
- Light and silent action
- Vertically [± 4 mm ($\frac{5}{32}$ ")] and laterally adjustable
- Track stop, adjustable retaining force

Set for single sliding door, without running track

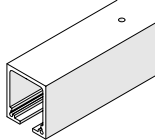
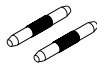
	code
HAWA-Junior 160/A	11703
HAWA-Junior 160/A, with 2 track stops	26043

For two-panel sliding doors please order two sets for single doors.

Set comprising

	11703	26043	code
	2	2	10416
	2	2	10478
	1	2	10639
	1	1	13114
	1	1	14711

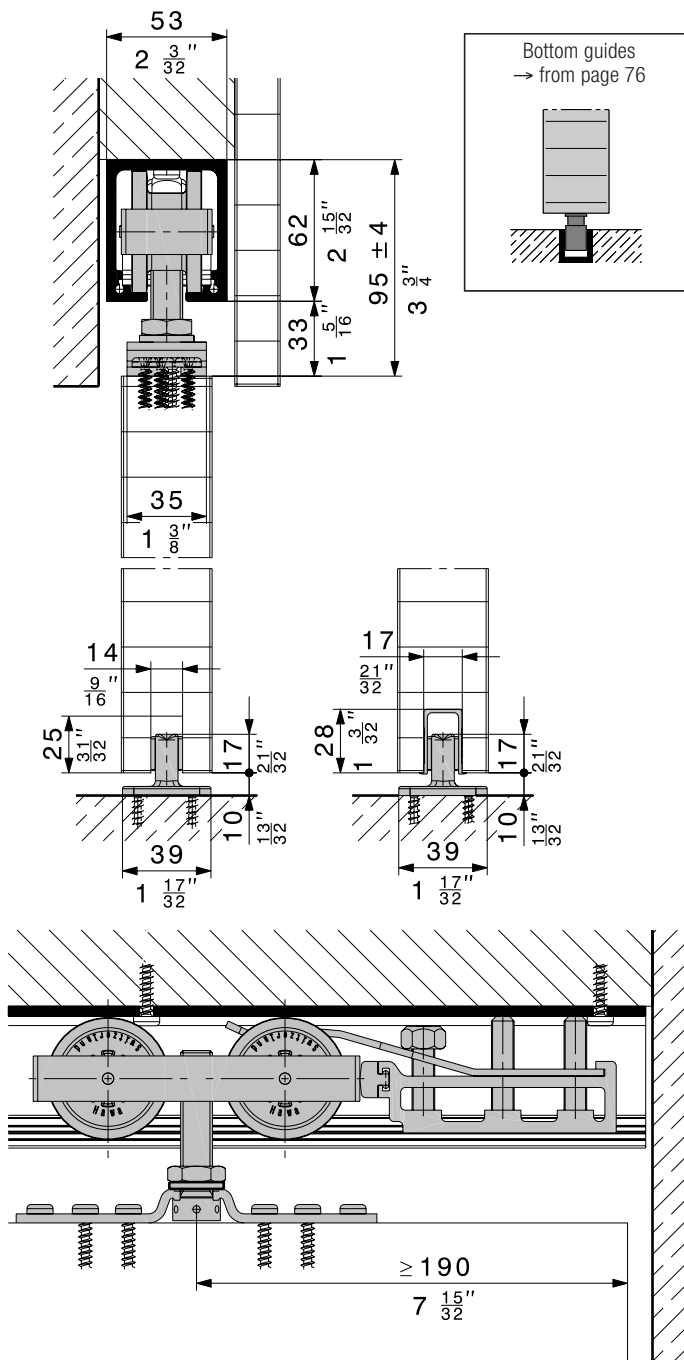
Running tracks

Caution: Hole positions vary		mm/inch	code
		3000 (9'10 $\frac{1}{8}$ "	24608
		4000 (13'1 $\frac{1}{2}$ "	24607
		5000 (16'4 $\frac{5}{16}$ "	24606
		6000 (19'8 $\frac{1}{16}$ "	24605
		cut to size	24609
	Connecting pins for profiles, set of 2 pieces		21347



Planning/installation

For planning and execution please use the installation instructions code 17689. (\rightarrow www.hawa.ch \rightarrow HAWA-Productfinder)

HAWA-Junior hardware may also be used for glass sliding doors. Please request the corresponding documentation.



Accessories

Caution: Minor differences in colour are possible		code
	Guide profile plastic, black, 3000 mm (9'10 $\frac{1}{8}$ "), groove mounted, set of 5 pieces	14963
	Bottom door stop with centering assembly	dull chromium finish 20773
		stainless steel effect 21473

Further accessories: \rightarrow pages 68 – 83