



# Base pull-out system BPO II



**OUR BASE PULLOUT COMBINES STYLE, CONVENIENCE, AND VERSATILITY**

## ▶ Advantages

- Slim, center-mounted frame offers easy access from left or right side.
- Create a custom storage solution to suit your needs in adding a choice of accessories.
- Runner provides a smooth soft-close
- 60 lb (27 kg) load rating
- Height adjustable frame from 24" to 32" (610mm to 813mm)
- Offered in 2 trendy finishes, silver gray and Champagne.
- Bottom and top mounted to give more stability



**Silver Gray finish**



**Champagne finish**



The wide front fixing bracket is required for all cabinets that are wider than 15" (381mm). Optional for less than 15" (381mm). This will replace the original lower bracket only.



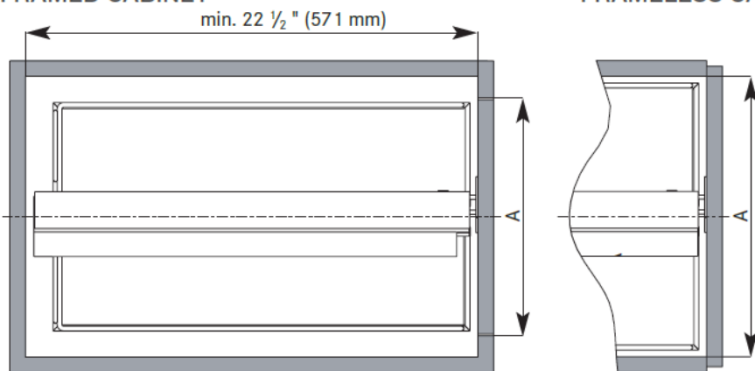
Can only be used for frame height of 28 1/8" (715mm) or more

Code	Description	Finish	Product Width	Product Depth	Product Height
2663100	Frame BPO II	Silver Gray	3 3/4" (95mm)	22" (518mm)	24" to 32" (610mm to 813mm)
2663155	Frame BPO II	Champagne	3 3/4" (95mm)	22" (518mm)	24" to 32" (610mm to 813mm)
2647100	Wide door bracket	Silver Gray	5 1/2" (140mm)		1 1/2" (38mm)
2647155	Wide door bracket	Champagne	5 1/2" (140mm)		1 1/2" (38mm)
4255100	Additional hook	Silver Gray			4" (102mm)
4255155	Additional hook	Champagne			4" (102mm)

## Technical information

FRAMED CABINET

FRAMELESS CABINET

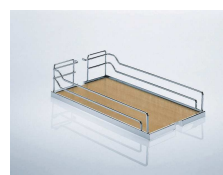
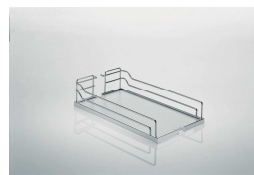


### Min. interior dimensions

**Min. width** : depends of the basket or accessory selected

**Min. depth** : 22 1/2" (571mm)

**Min. height** : 24 to 32 (610mm to 813mm)



### Set of 2 Arena baskets

Gray/Chrome

Maple/Chrome

White/Chrome

Maple/Champagne

Min. opening width (A)	Shelf dimension (W x D x H)	Gray/Chrome	Maple/Chrome	White/Chrome	Maple/Champagne
4 1/2" (114mm)	4" x 20 3/8" x 4 1/8" (102 x 518 x 105mm)	33140100	33140150	3314030	33155150
5 1/2" (140mm)	5" x 20 3/8" x 4 1/8" (102 x 518 x 105mm)	24140100	24140150	2414030	24155150
7 1/2" (191mm)	7" x 20 3/8" x 4 1/8" (102 x 518 x 105mm)	34140100	34140150	3414030	34155150
8 1/2" (216mm)	8" x 20 3/8" x 4 1/8" (102 x 518 x 105mm)	25140100	25140150	2514030	25155150
10 1/2" (267mm)	10" x 20 3/8" x 4 1/8" (102 x 518 x 105mm)	35140100	35140150	3514030	35155150
11 1/2" (292mm)	11" x 20 3/8" x 4 1/8" (102 x 518 x 105mm)	26140100	26140150	2614030	26155150
13 1/2" (343mm)	13" x 20 3/8" x 4 1/8" (102 x 518 x 105mm)	36140100	36140150	3614030	36155150
14 1/2" (368mm)	14" x 20 3/8" x 4 1/8" (102 x 518 x 105mm)	27140100	27140150	2714030	27155150
16 1/2" (419mm)	16" x 20 3/8" x 4 1/8" (102 x 518 x 105mm)	37140100	37140150	3714030	37155150
17 1/2" (445mm)	17" x 20 3/8" x 4 1/8" (102 x 518 x 105mm)	28140100	28140150	2814030	28155150
19 1/2" (495mm)	19" x 20 3/8" x 4 1/8" (102 x 518 x 105mm)	38140100	38140150	3814030	38155150
20 1/2" (521mm)	20" x 20 3/8" x 4 1/8" (102 x 518 x 105mm)	39140100	39140150	3914030	39155150
22 1/2" (572mm)	22" x 20 3/8" x 4 1/8" (102 x 518 x 105mm)	40140100	40140150	4014030	40155150

## Set of 2 metal basket

Min. opening	Width (A)	Product Width	Silver Gray	Champagne
3 7/8"	(98mm)	3 3/8" (86mm)	25474100	25474155
4 1/2"	(112mm)	4" (102mm)	25475100	25475155
5 1/2"	(140mm)	5" (127mm)	25476100	25476155
7 1/2"	(191mm)	7" (178mm)	25477100	25477155



Silver Gray



Champagne

## Accessories

Transform your BPO II into a functional storage system that will answer to your specific needs.

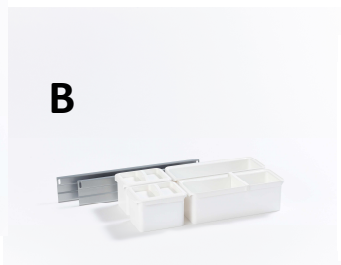


A

### Set Youboxx 1

Includes :

- 2 x 1 liter boxes
- 1 x 2,1 liter box
- 2 x 2 liter boxes
- 1 x knife holder insert
- 2 x lids
- 2 traverse rails



B

### Set Youboxx 2:

Includes :

- 2 x 1 liter boxes
- 2 x 2,1 liter boxes
- 2 x lids
- 1 x divider, large
- 2 x traverse rails

C



### Tray support

Includes :

- 2 x wire shelves
- 1 x metal shelf
- 25556-XX** : 4 plastic clips
- 25557-XX** : 6 plastic clips
- 25558-XX** : 8 plastic clips

D



### Spice tray

Ref.	Min. opening	Silver Gray	Champagne	Description	Product dimensions W x D x H
A	10 1/2 (267mm) *	25464100	25464155	Set Youbox 1	4 1/2" x 17 1/4" x 3 3/8" (114mm x 438mm x 95mm)
B	10 1/2 (267mm) *	25465100	25465155	Set Youbox 2	4 1/2" x 17 1/4" x 3 3/8" (114mm x 438mm x 95mm)
C	3 7/8 (98mm)	25556100	25556155	Tray support 3 3/8"	3 3/8" x 20 3/8" x min. 8" (86mm x 518mm x min. 203mm)
C	5 1/2 (140mm)	25557100	25557155	Tray support 5"	5" x 20 3/8" x min. 8" (127mm x 518mm x min. 203mm)
C	7 1/2 (191mm)	25558100	25558155	Tray support 7"	7" x 20 3/8" x min. 8" (178mm x 518mm x mon. 203mm)
D	10 1/2 (267mm) **	25771100	25771155	Spice tray BPO II 4 1/2"	4 1/2" x 20 1/2" x 1 1/2" (114mm x 521mm x 38mm)

\* (A or B) The minimum opening is based on installing 1 set of rails on each side of the frame (Recommended)

\*\* (D) The min. opening is based for 2 spice trays, one on each side (Recommended)