

ALBERGO STP-SC -MOUNTING INSTRUCTIONS



Hardware set for 1 wood door

Item no. 89TY049S2561170

Includes:

Trolleys

Stoppers (left & right)

Activator for Soft Close

Wall/Floor guide

Hex Keys

Spanner Wrench



TECHNICAL DATA

Door Thickness: 35 to 45mm (1 3/8" – 1 3/4")

Weight Capacity per Door: max. 80 kg (176 lbs)

Trolley Type: Ball Bearing

Track & Hardware Finish: Stainless Steel

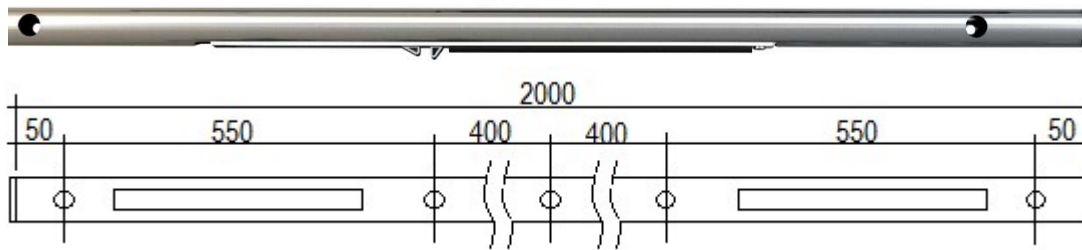
NOTES

The ALBERGO sliding systems is designed for interior use only.

The finish is not guaranteed in exterior applications, marine and polluted environments.

The intention for this document is to provide a guide for installation and assembly. The Contractor is responsible to determine what is best for the application.

2.0 meter Track Set



Item no. 89TY482MSF170S

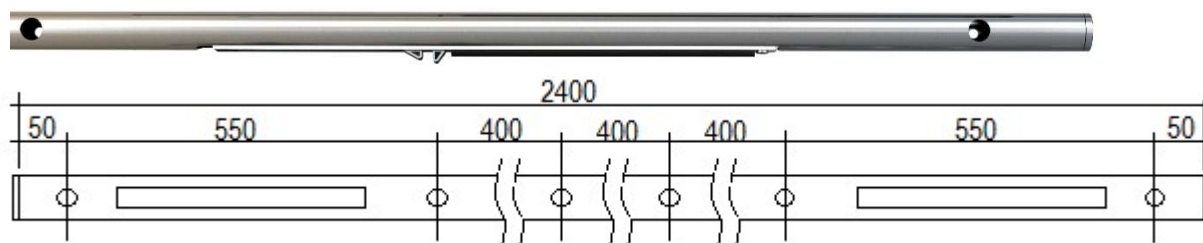
2.0m (78 3/4") Track set with 5 mounts & spacers

Includes:

- 1) 2.0M (78 3/4") Pre-Drilled Round Track
- 2) Soft Close Mechanisms
- 5) Wall Mount Stand-offs
- 5) 6mm x 50mm Shims
- 5) 130mm (5 1/8") fastener screws and collars



2.4 meter Track Set



Item no. 89TY4724MSF170S

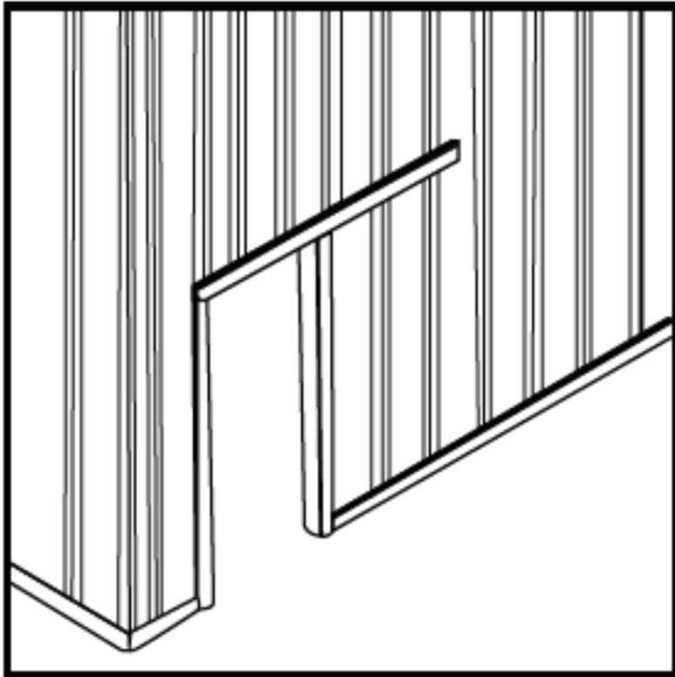
2.4m (94 1/2") Track set with 6 mounts & spacers

Includes:

- 1) 2.4M (94 1/2") Pre-Drilled Round Track
- 2) Soft Close Mechanisms
- 6) Wall Mount Stand-offs
- 6) 6mm x 50mm Shims
- 6) 130mm (5 1/8") fastener screws and collars

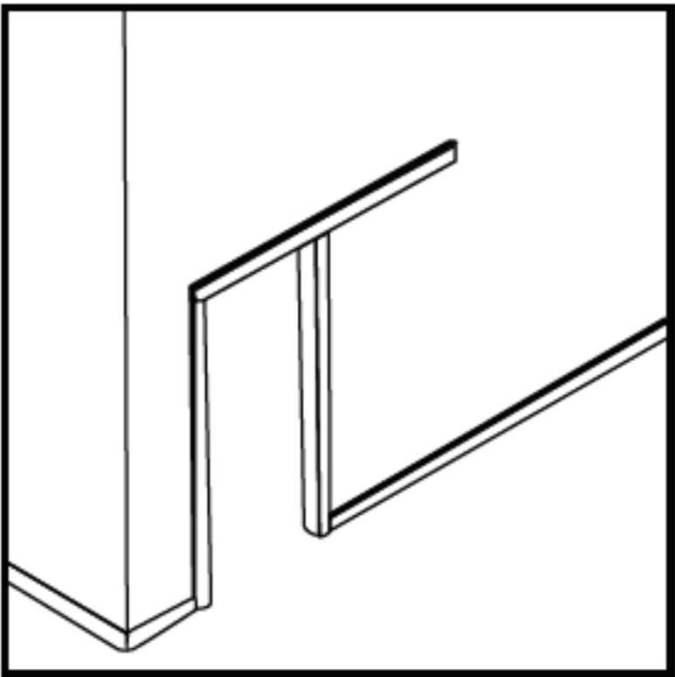
WALL PREPARATION:

Track **MUST** be securely mounted to solid blocking



New Construction:

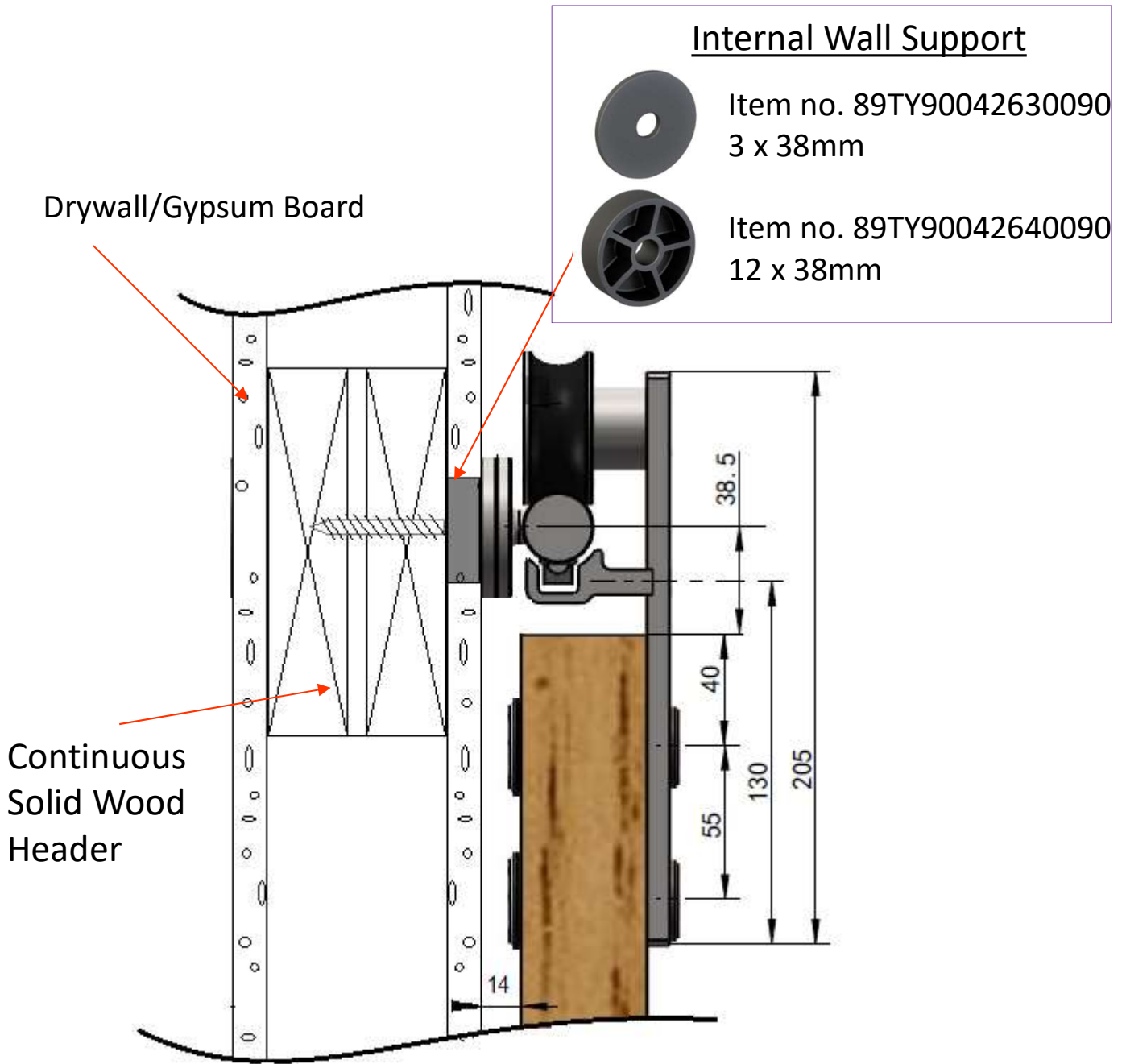
- Add a 2x8 minimum solid wood header for entire length of the Track/Rail
- Validate with Local Building Code



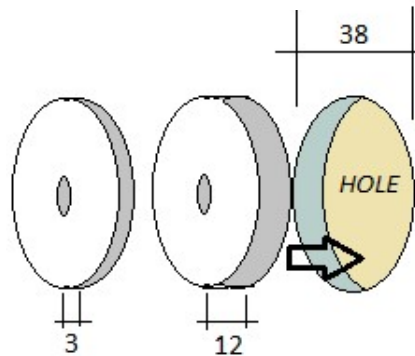
Existing Construction:

- Continuous Solid Wood Blocking must be installed along the entire length of the Track/Rail
- Validate with Local Building Code

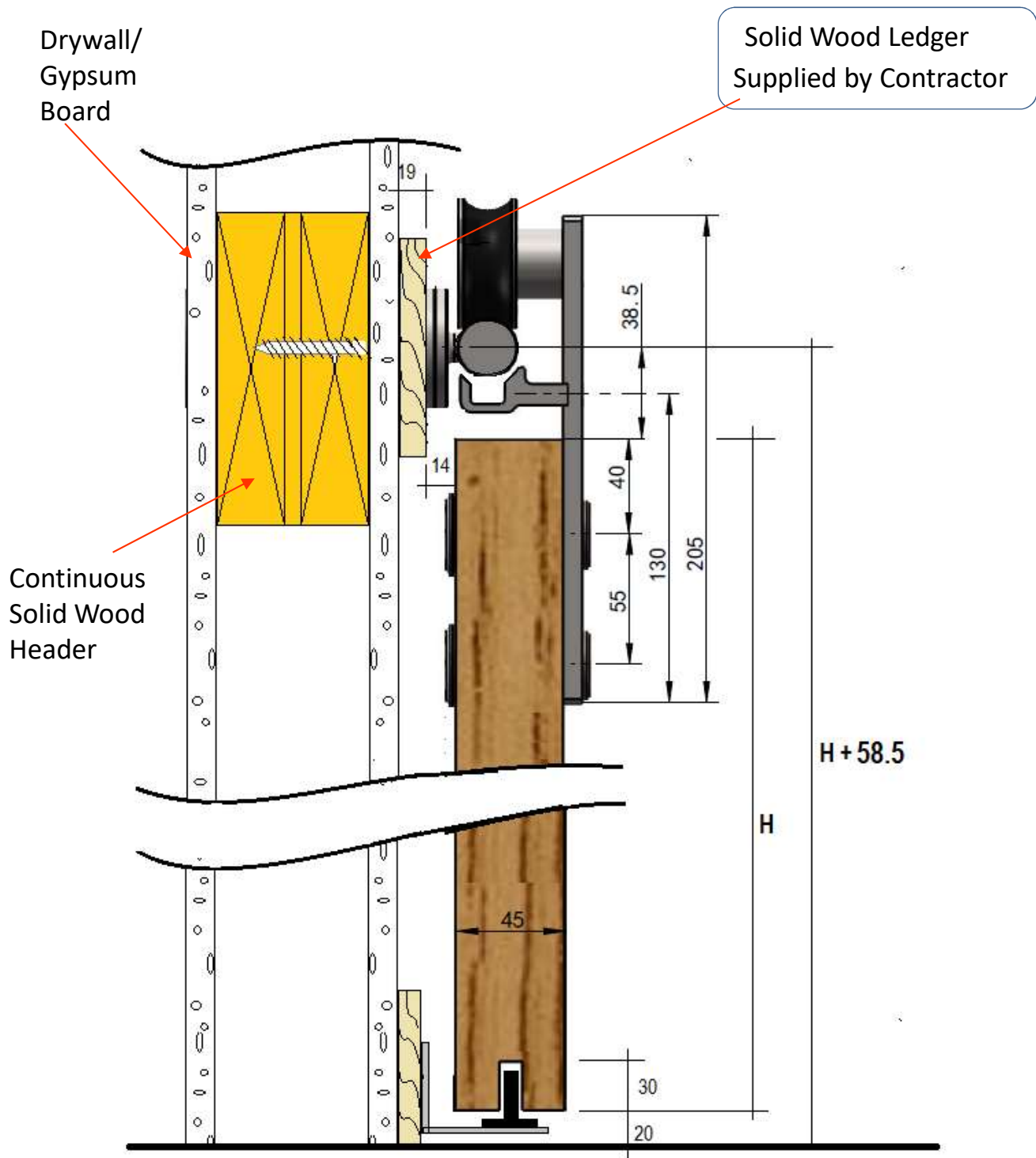
APPLICATION:
MOUNTING TRACK USING WALL SUPPORT DISCS



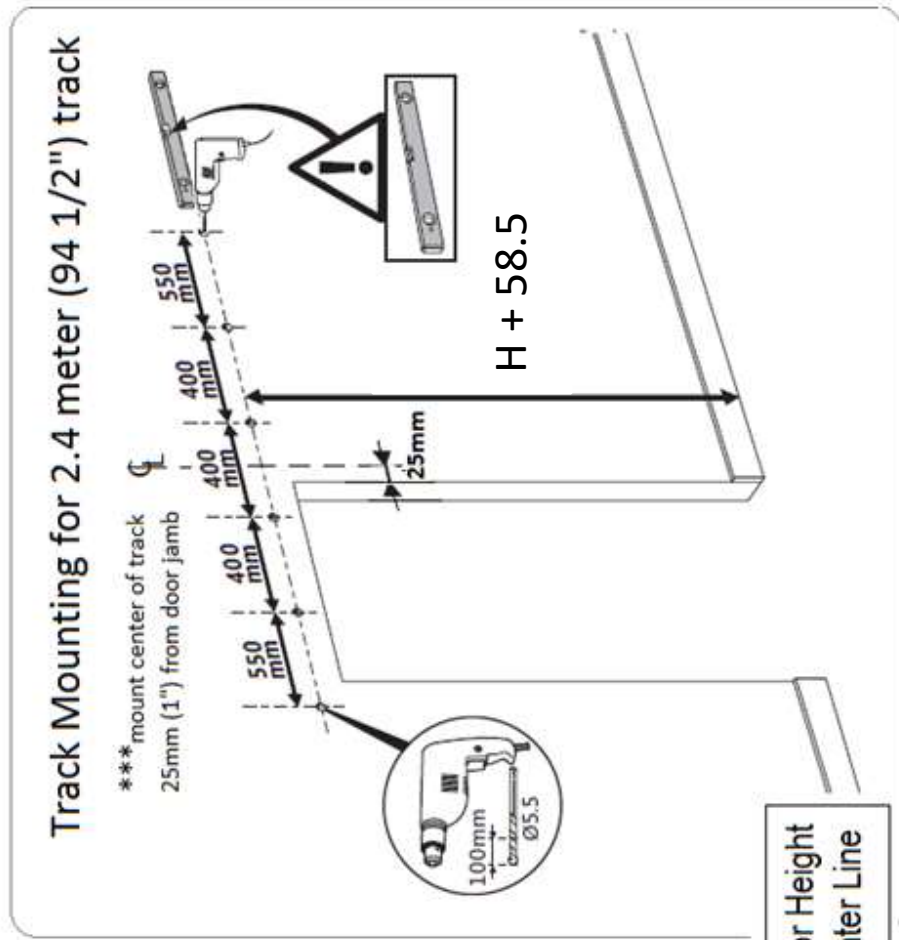
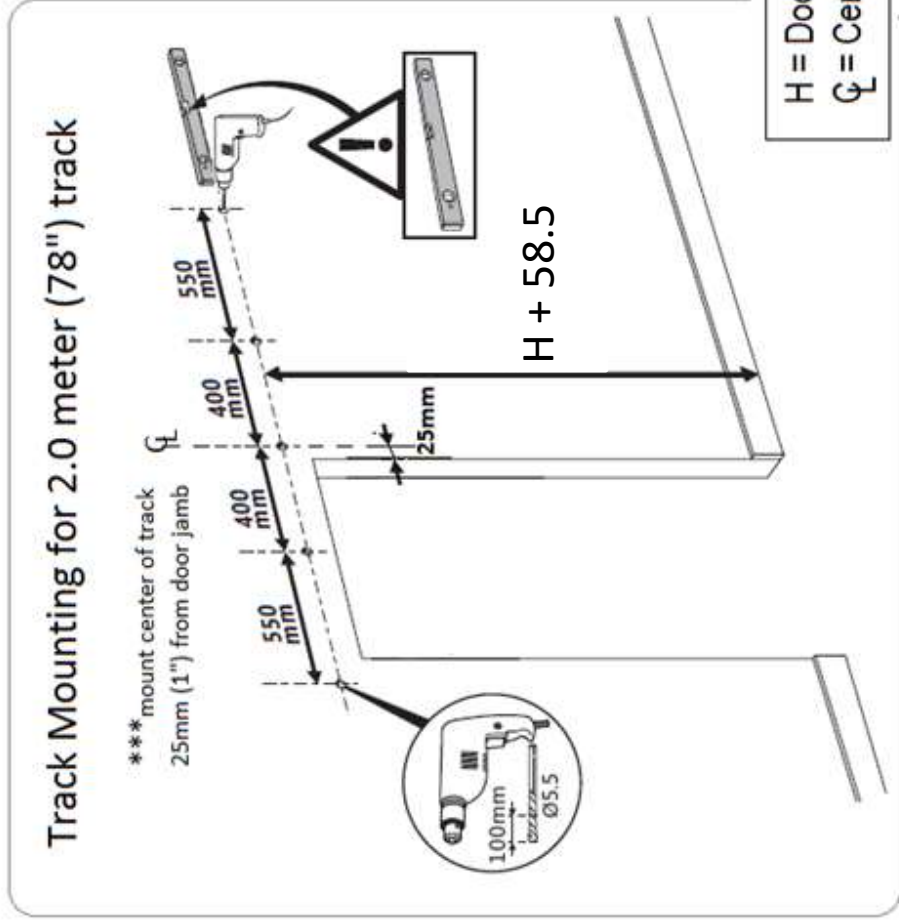
Drill 38mm (1-1/2") hole in drywall/gypsum board and Insert disc(s) to appropriate sheetrock thickness



APPLICATION: MOUNTING TRACK USING SOLID WOOD LEDGER BOARD



TRACK MOUNTING



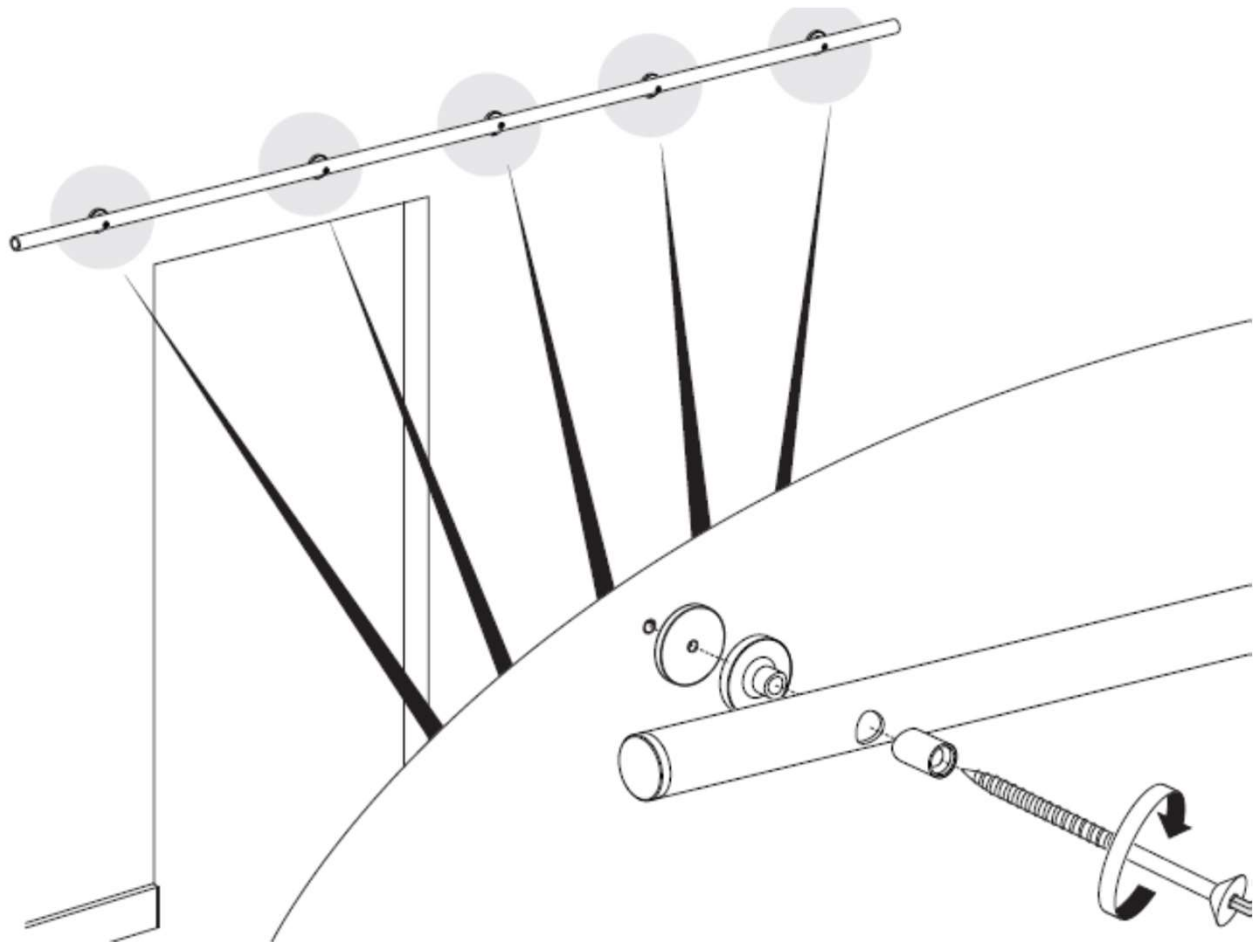
H = Door Height
 \mathcal{L} = Center Line



Wear Safety Glasses

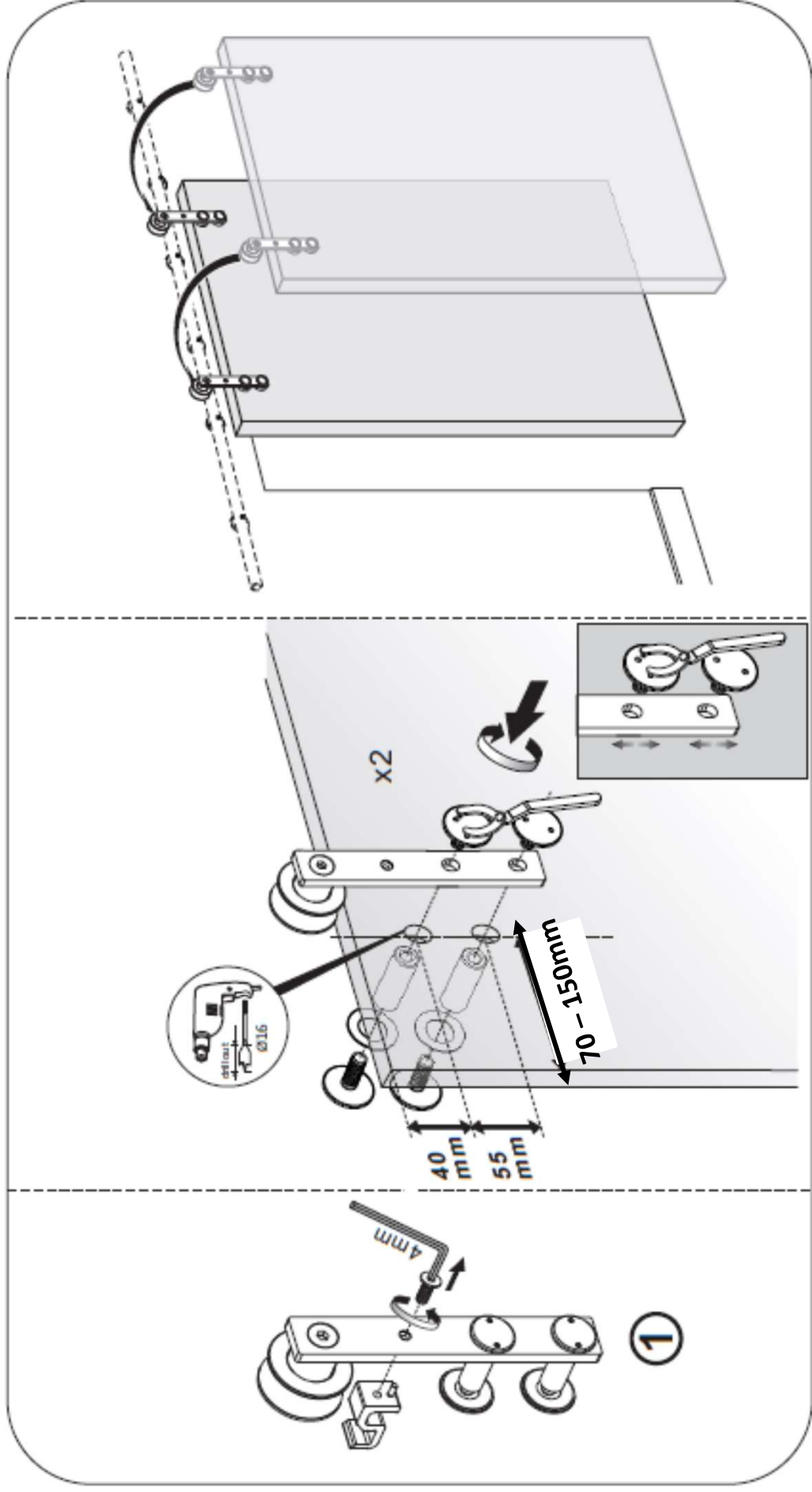


TRACK MOUNTING



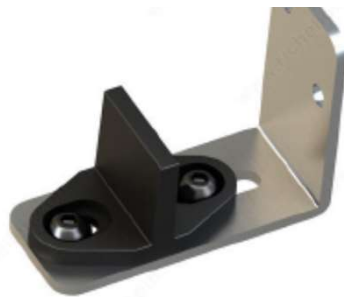
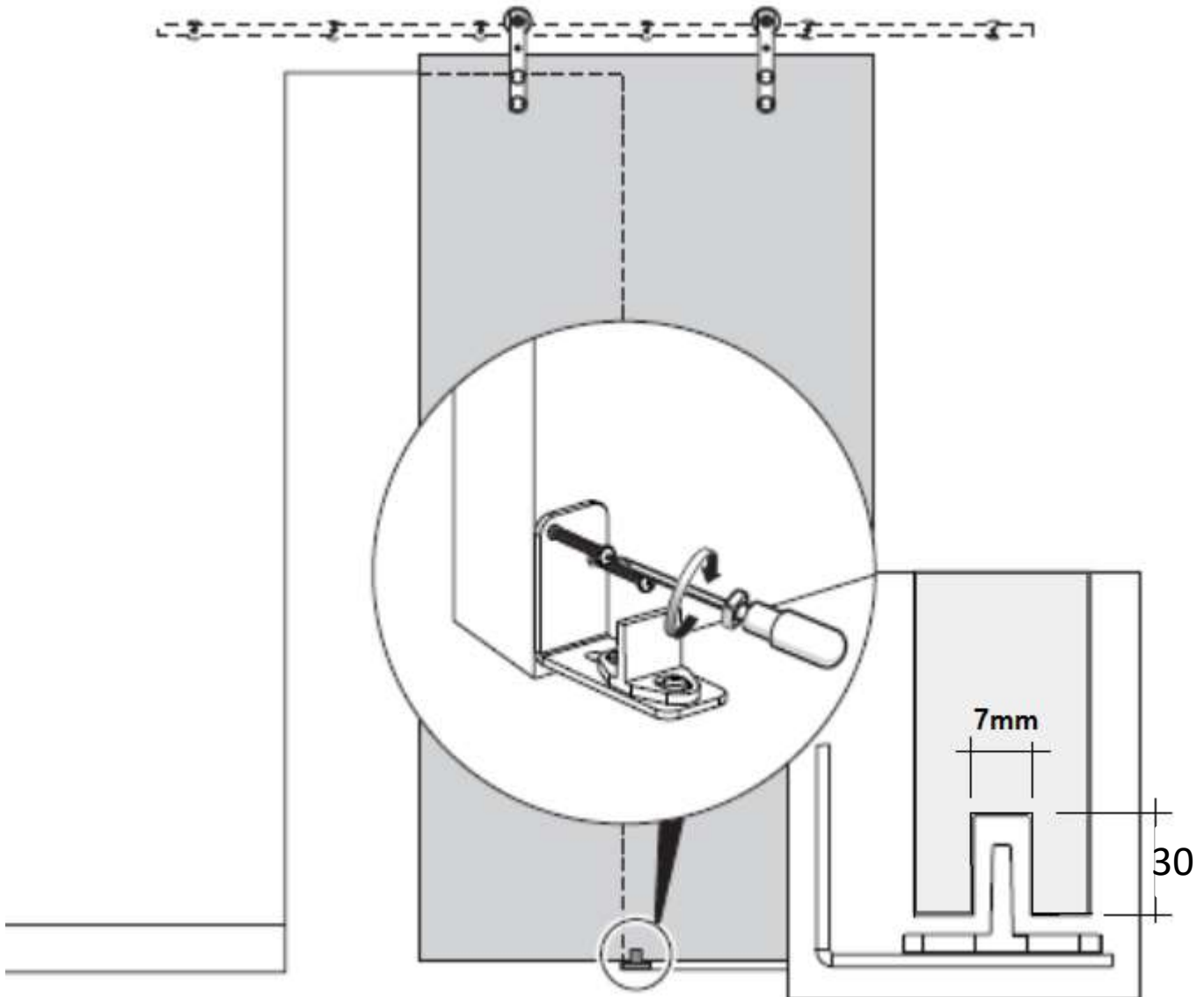
Do not install directly onto drywall or other hollow wall. Such surfaces are not strong enough to support the total active weight of the rail and door. Every fastener used to attach the rail to the wall must be fastened securely into a structural surface.

INSTALL TROLLEYS, REMOVE ANTI-DERAILERS & HANG DOOR

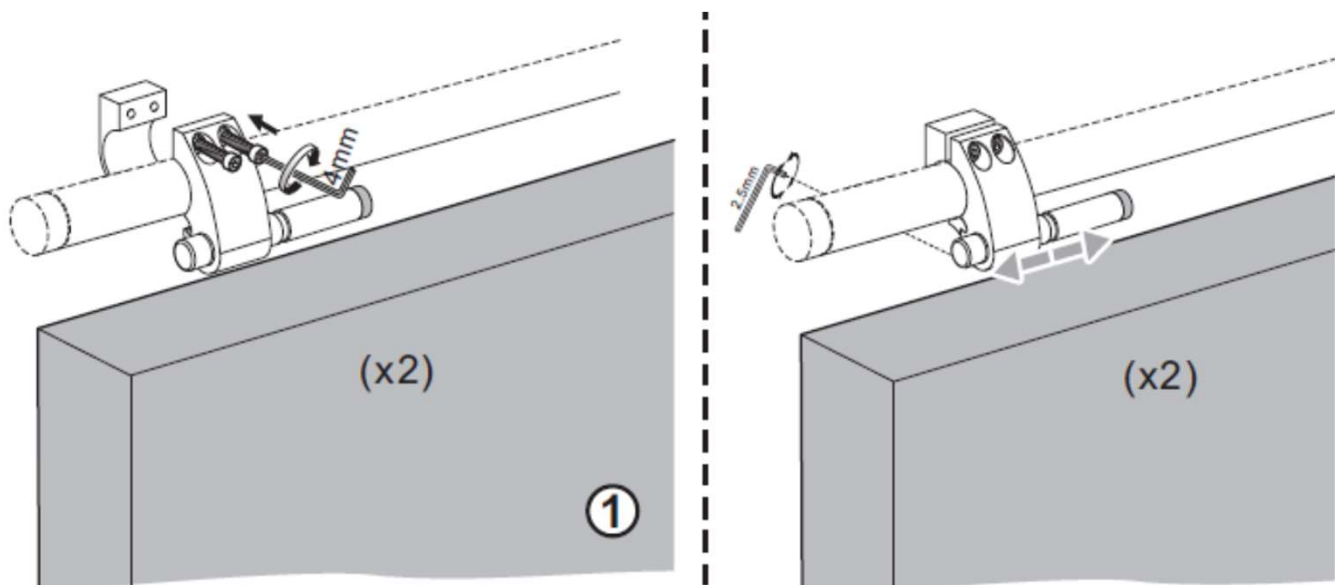
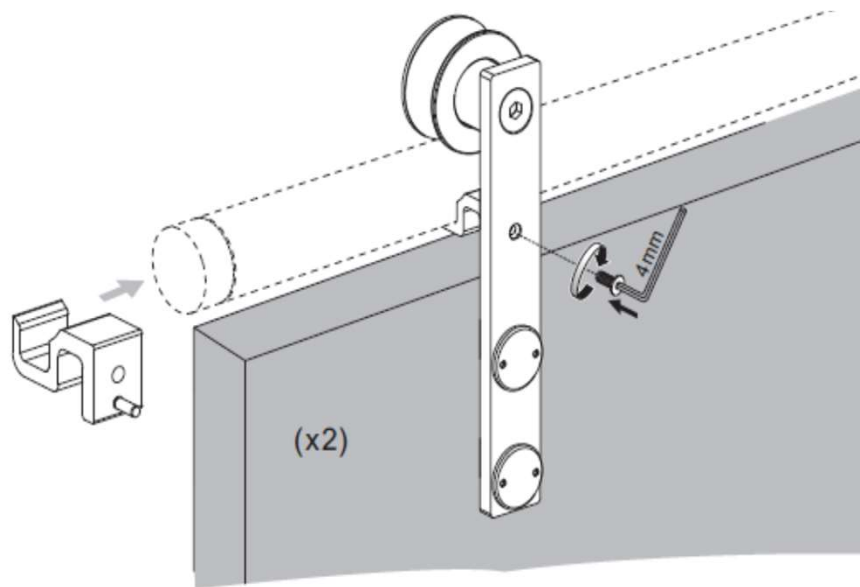


Before mounting the upper trolleys on to the track remove all dust and debris from the track and trolleys. Use a dry cloth, see page 15 for more information.

INSTALL BOTTOM DOOR GUIDE

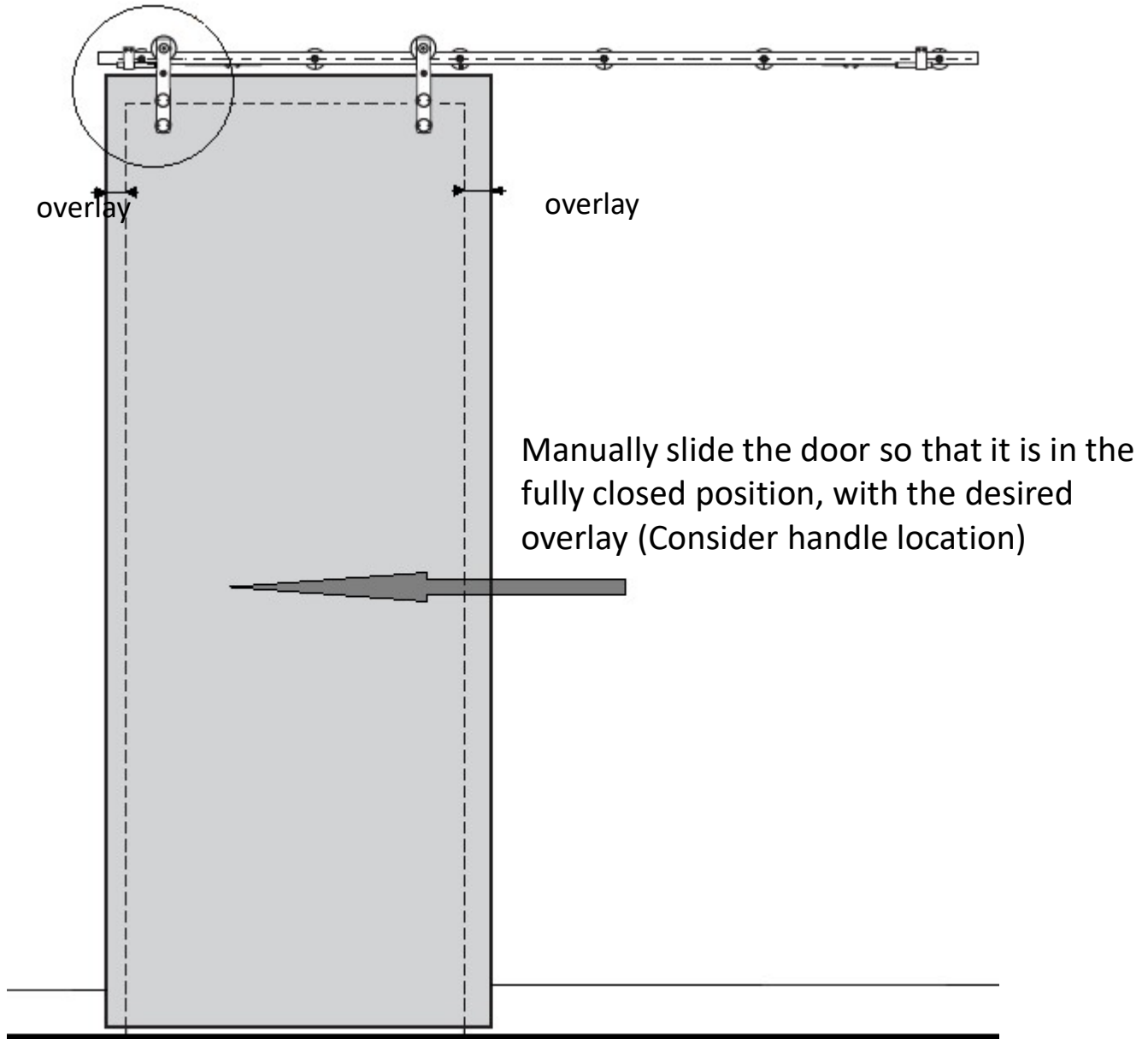


INSTALL ANTI-DERAILERS & STOPPERS

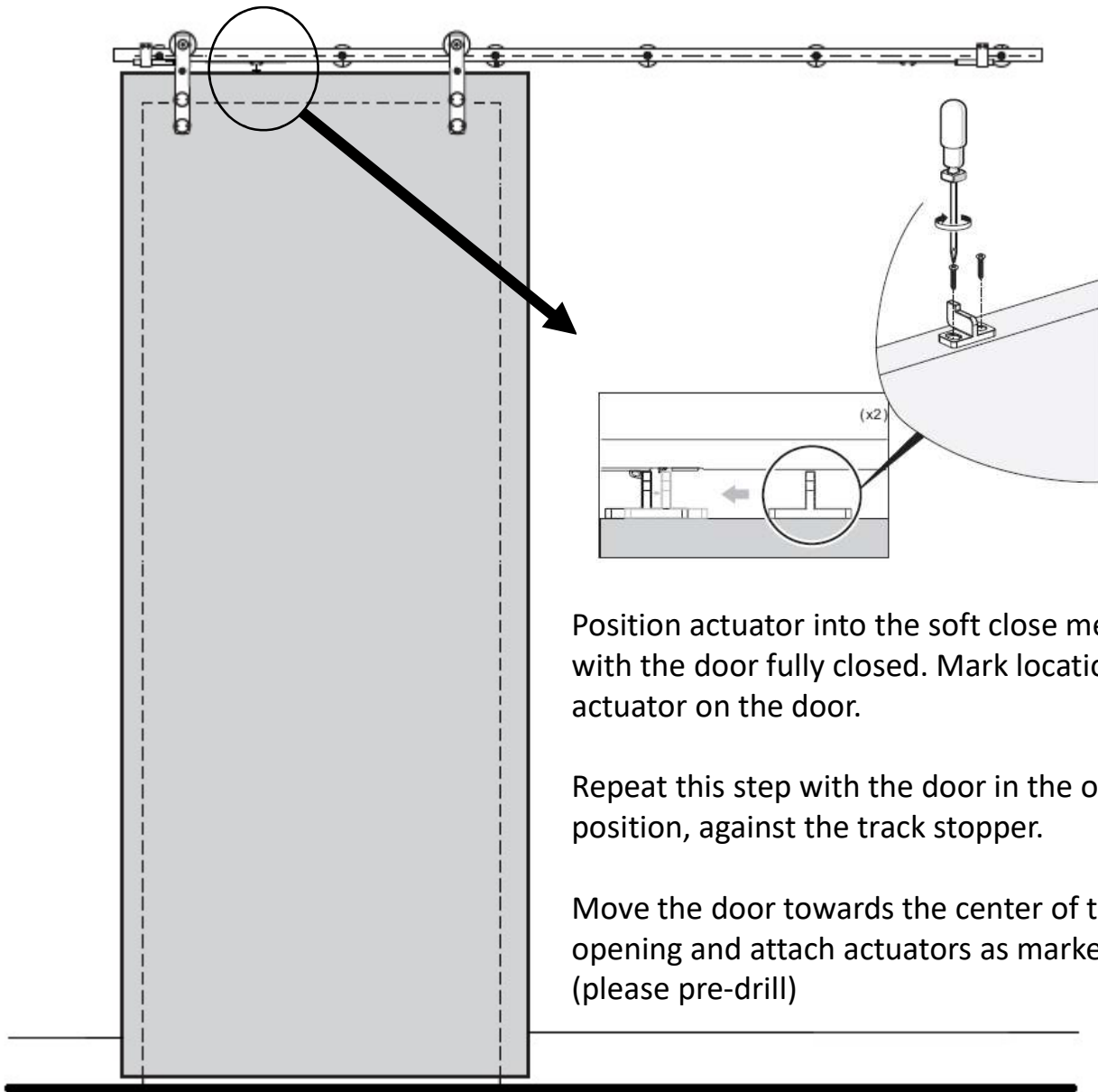


PREPARATION TO INSTALL SOFT CLOSE ACTIVATORS

Temporarily secure the track stopper against the trolley in this position



INSTALL SOFT CLOSE ACTIVATORS

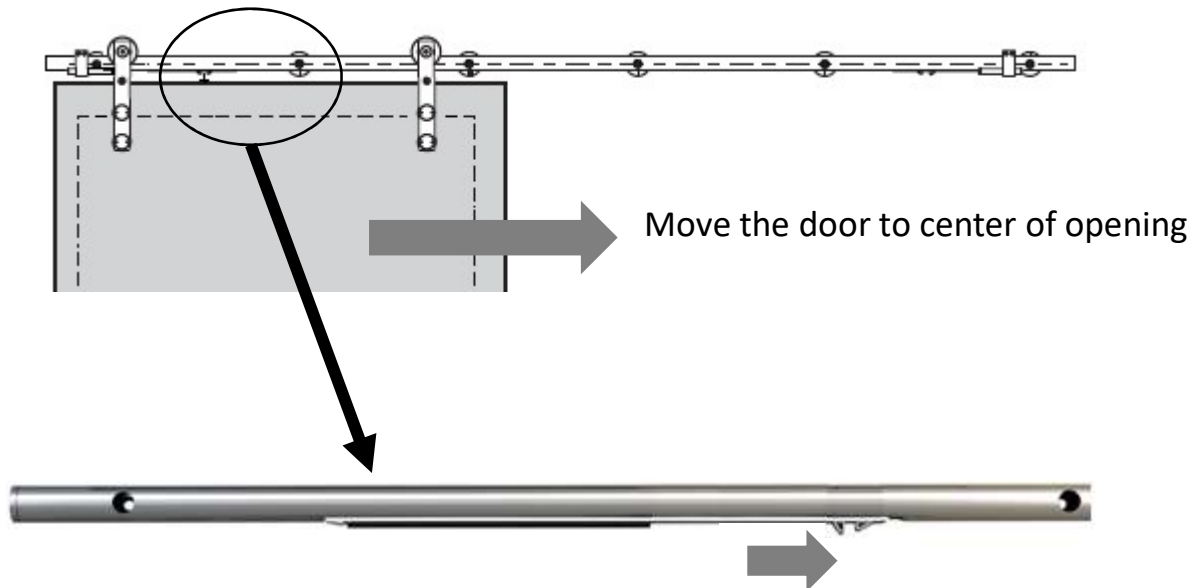


Position actuator into the soft close mechanism with the door fully closed. Mark location of actuator on the door.

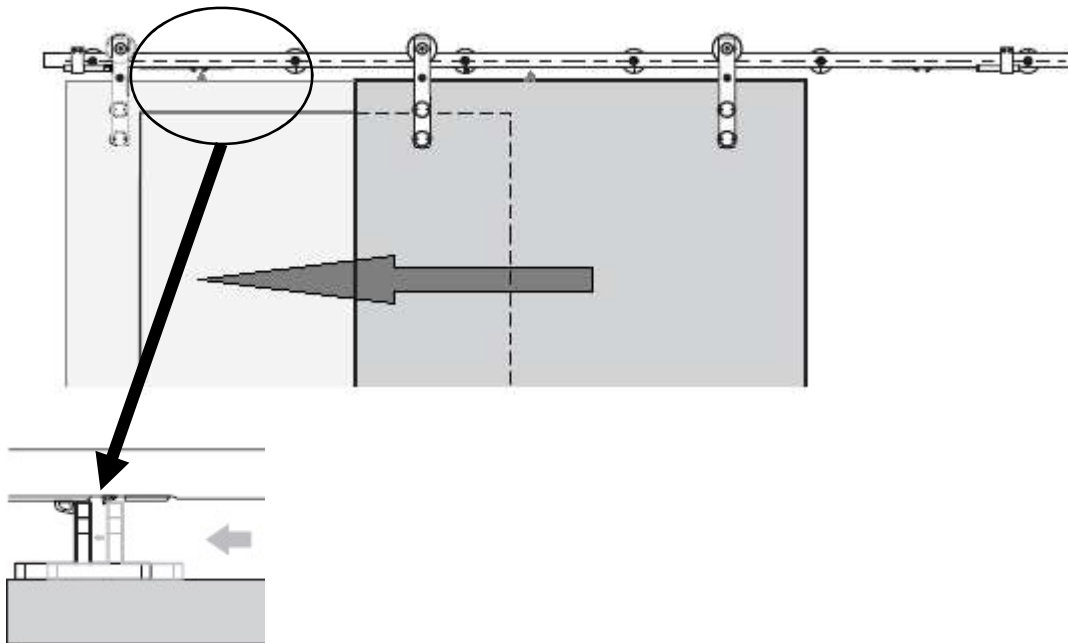
Repeat this step with the door in the open position, against the track stopper.

Move the door towards the center of the opening and attach actuators as marked. (please pre-drill)

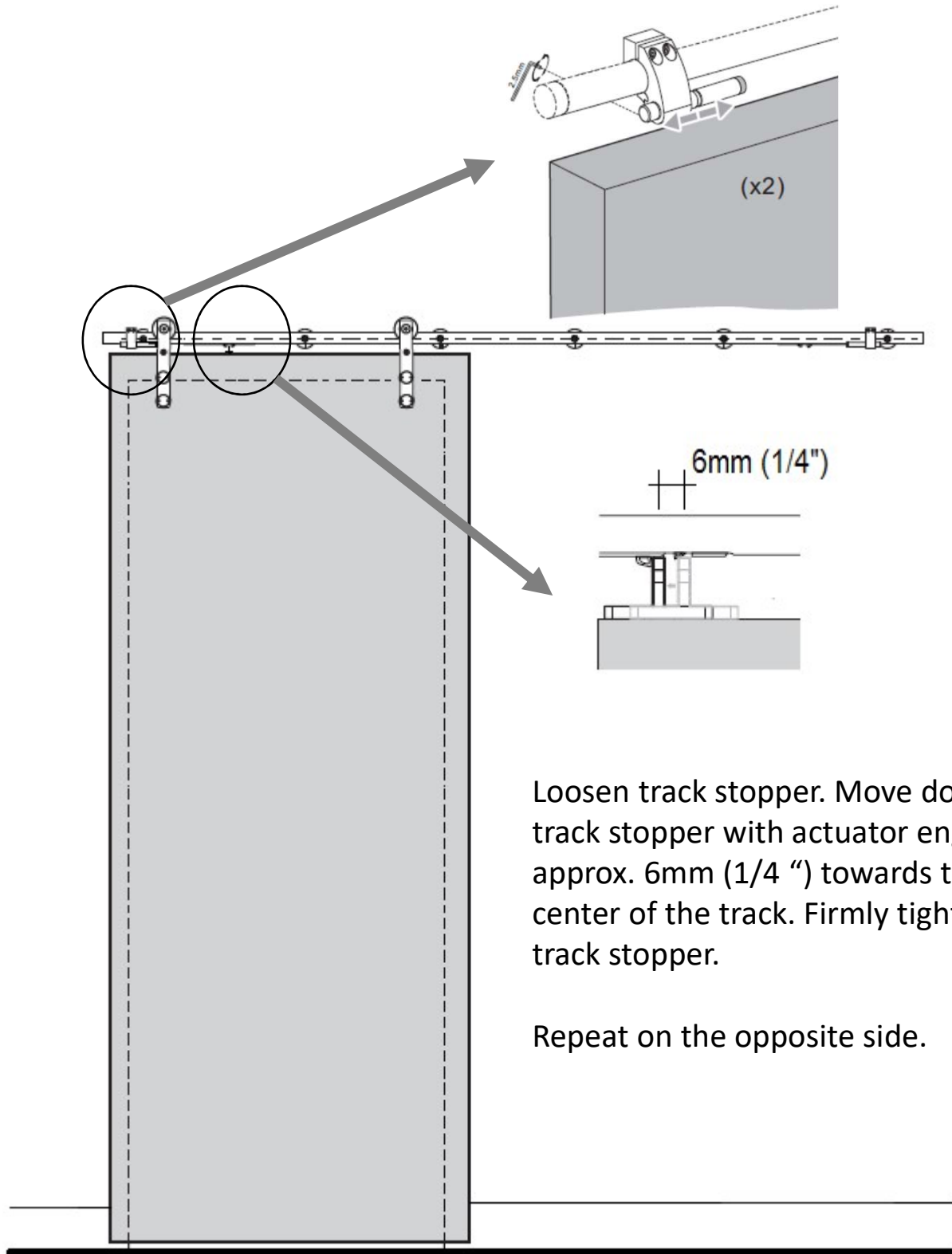
INSTALL SOFT CLOSE ACTIVATORS



Charge the soft close mechanism by manually pushing the tabs towards the center of the opening until it locks itself to a stop (you will feel resistance)



FINAL TUNING: ADJUST TRACK STOPPER



Loosen track stopper. Move door and track stopper with actuator engaged approx. 6mm (1/4 ") towards the center of the track. Firmly tighten track stopper.

Repeat on the opposite side.

General Maintenance and Care

Keep the track and trolleys clear of dust and debris.

If the surface is wet, use a dry soft cloth and wipe dry.

Avoid using soap, grease, oils, abrasive and corrosive cleaners.

The trolleys do not require lubrication.