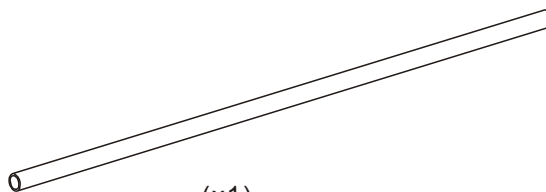


(x2)

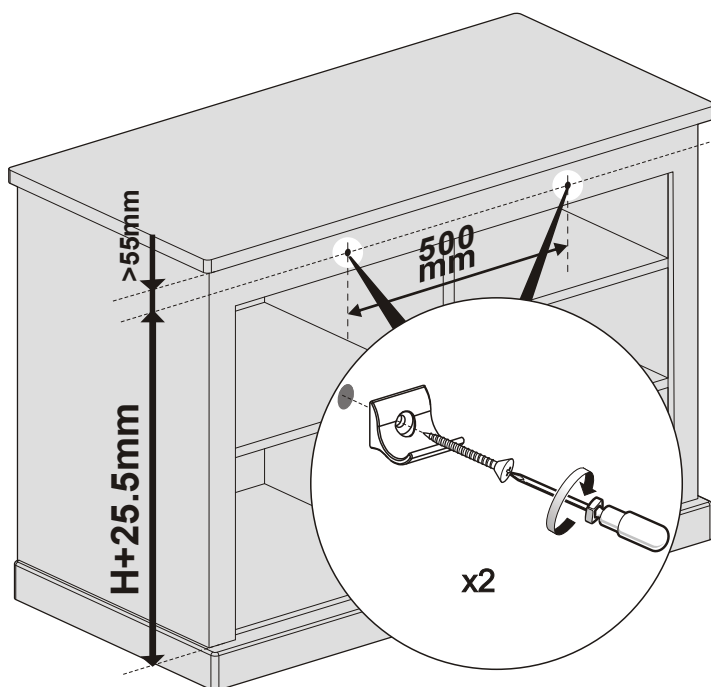


ST4.2x25(x2)

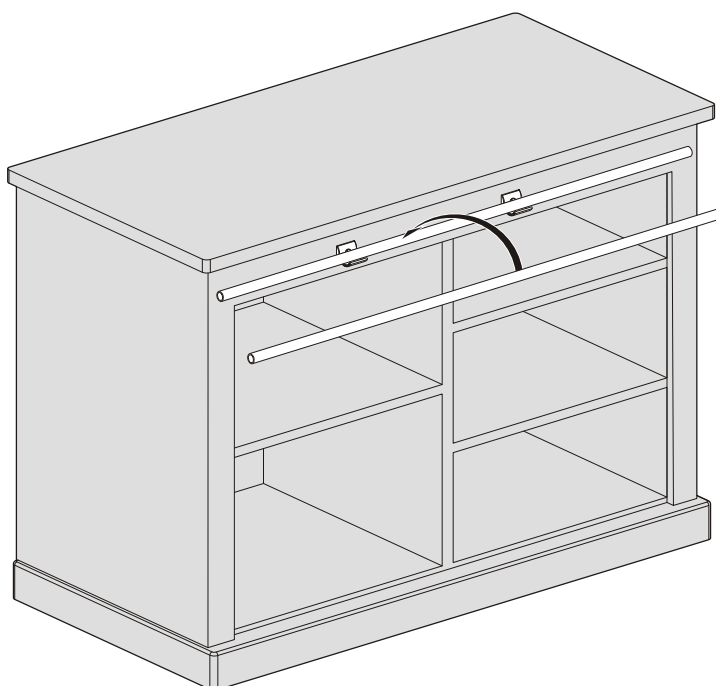


(x1)

1



2



# Installation Manual

