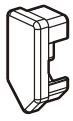
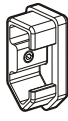


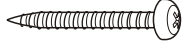
## Installation



(x1)



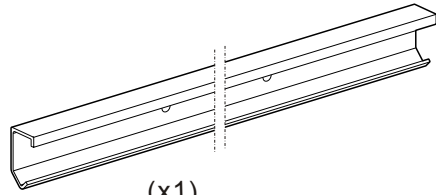
(x1)



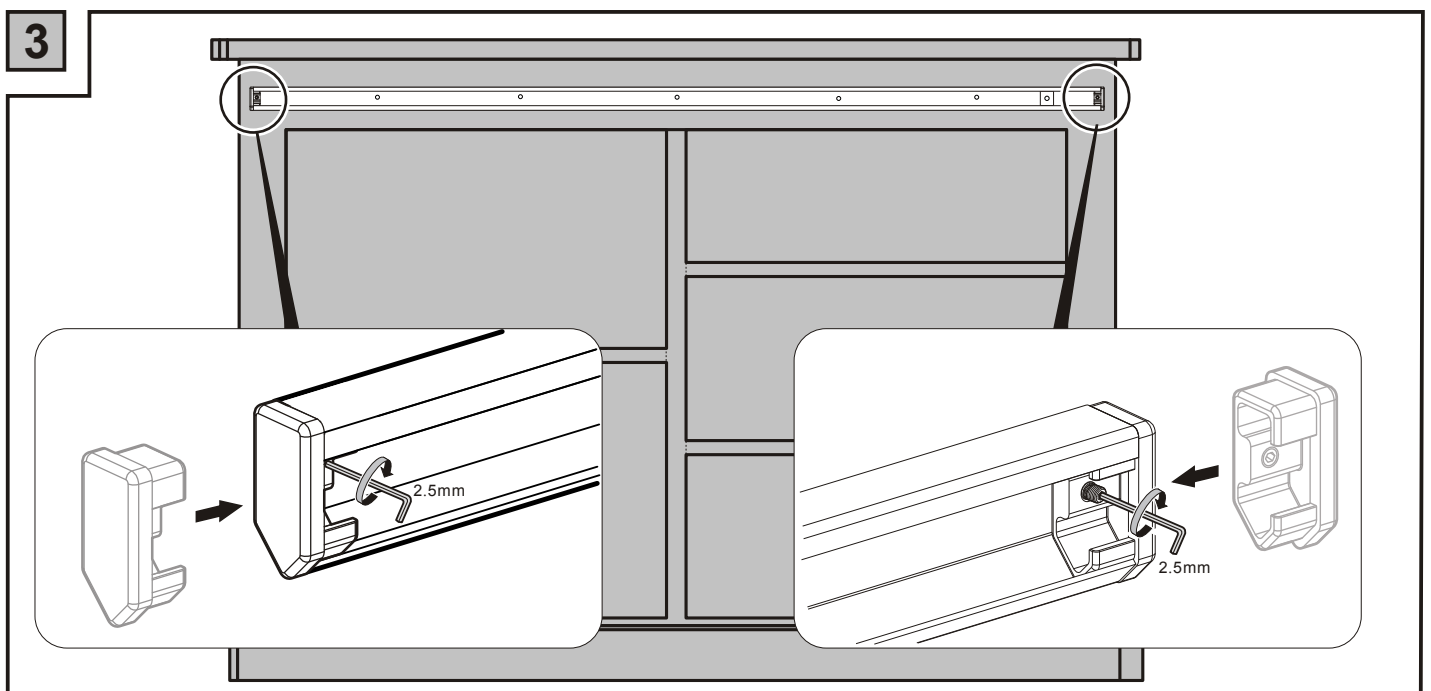
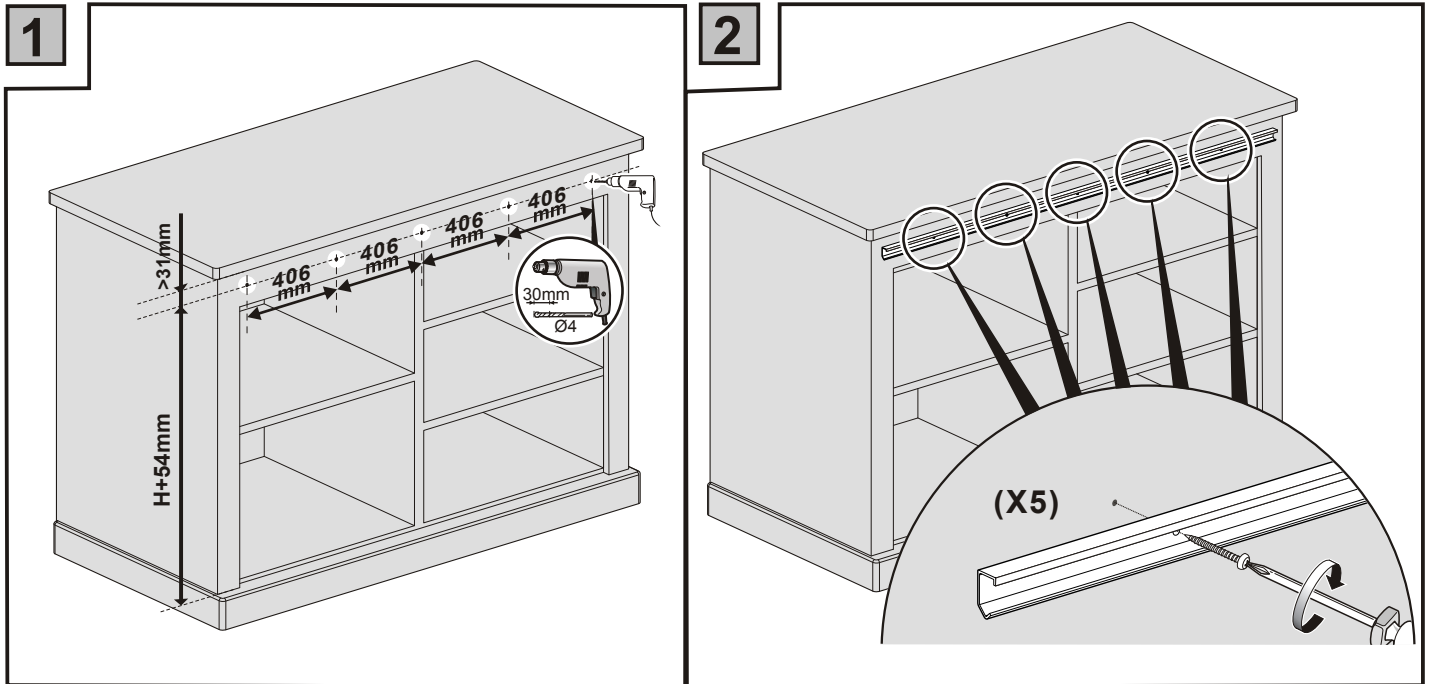
(x5)  
ST5x30



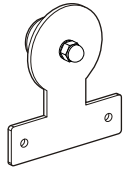
(x1)



(x1)



# Installation



(x2)



ST4.8x19 (x4)

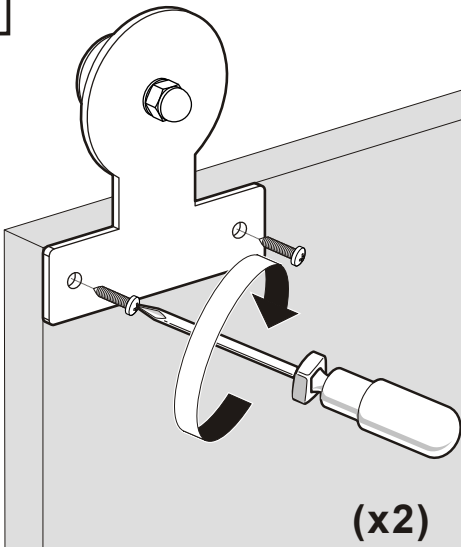


(x2)

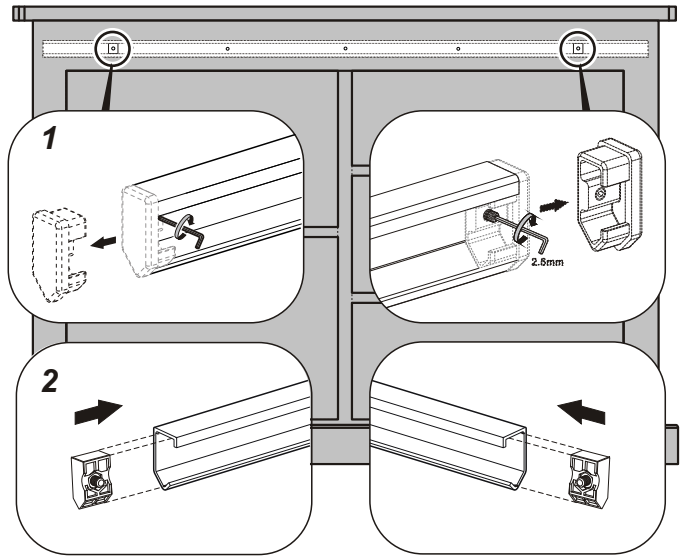


(x1)

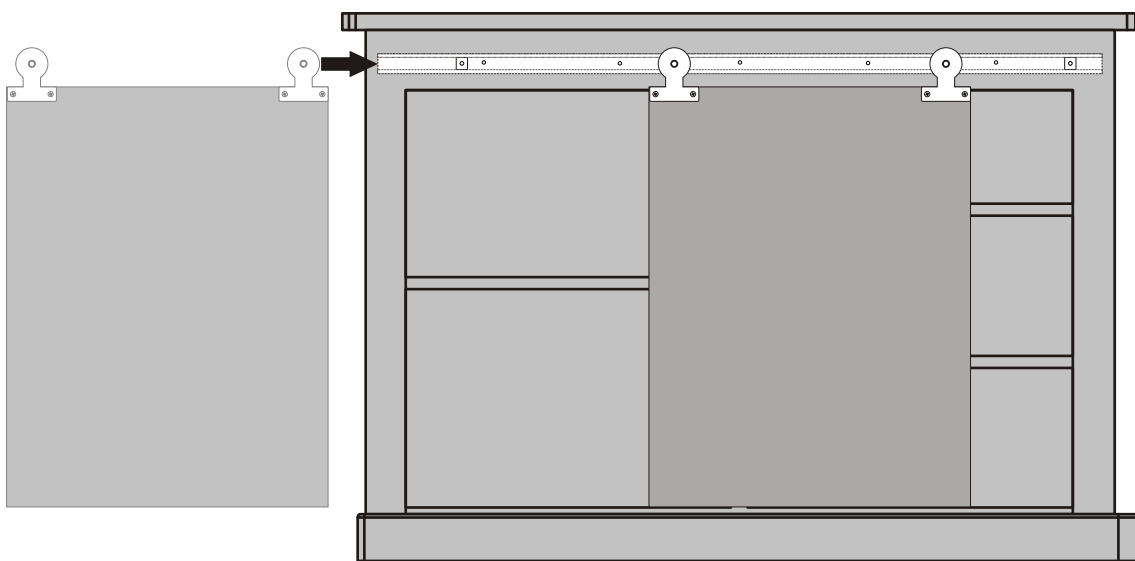
1



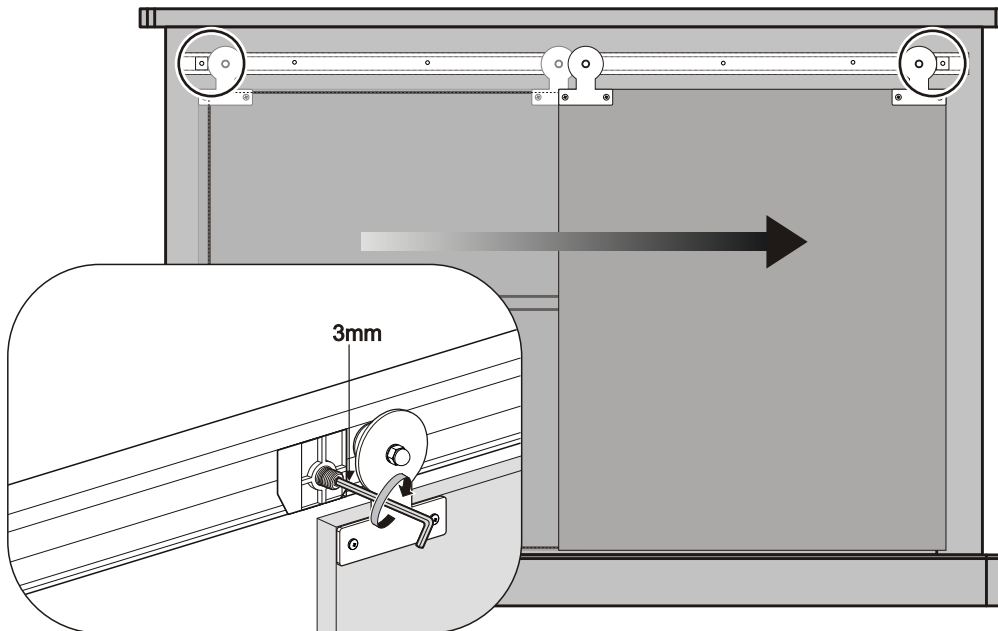
2



3



4



5

