

ALBERGO TM – MOUNTING INSTRUCTIONS



Hardware set for 1 wood door

Item no. 89TY032170

Includes:

Trolleys

Stoppers (left & right)

Wall/Floor guide

Hex Keys

Spanner Wrench



TECHNICAL DATA

Door Thickness: 35 to 45mm (1 3/8" – 1 3/4")

Weight Capacity per Door: max. 80 kg (176 lbs)

Trolley Type: Ball Bearing

Track & Hardware Finish: Stainless Steel

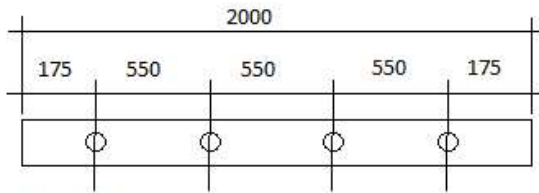
NOTES

The ALBERGO sliding systems is designed for interior use only.

The finish is not guaranteed in exterior applications, marine and polluted environments.

The intention for this document is to provide a guide for installation and assembly. The Contractor is responsible to determine what is best for the application.

2.0 meter Track Set



Technical Data



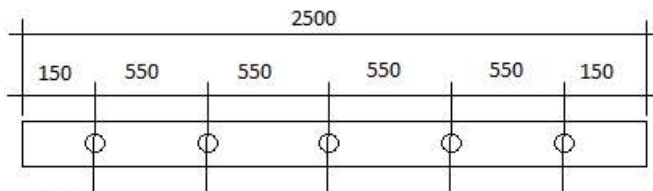
Item no. 89TY030170

2.0m (78 3/4") Track set with 4 mounts & spacers

Includes:

- 1) 2.0M (78 3/4")
Pre-Drilled Round Track
- 4) Wall Mount Stand-offs
- 4) 6 & 12mm x 50mm Shims
- 4) 130mm (5 1/8")
fastener screws and collars

2.5 meter Track Set



Technical Data



Item no. 89TY031170

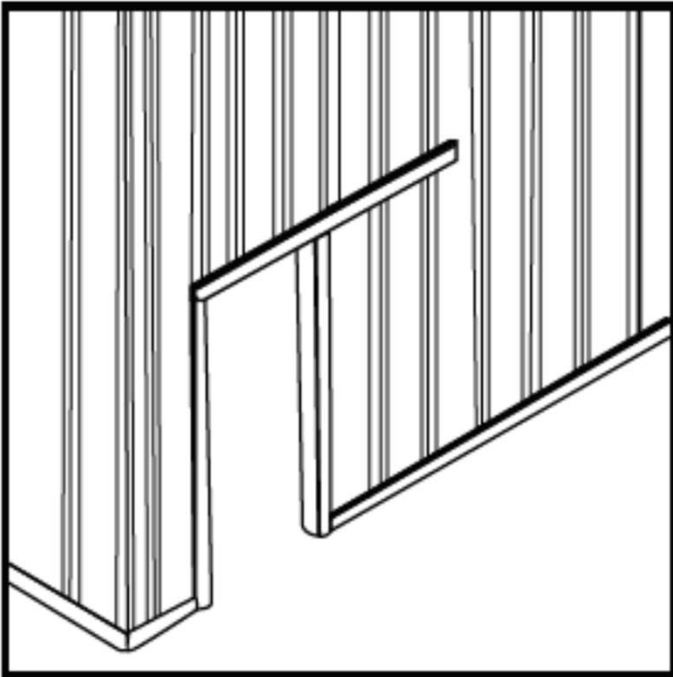
2.5m (98 3/8") Track set with 5 mounts & spacers

Includes:

- 1) 2.5M (98 3/8")
Pre-Drilled Round Track
- 5) Wall Mount Stand-offs
- 5) 6 & 12mm x 50mm Shims
- 5) 130mm (5 1/8")
fastener screws and collars

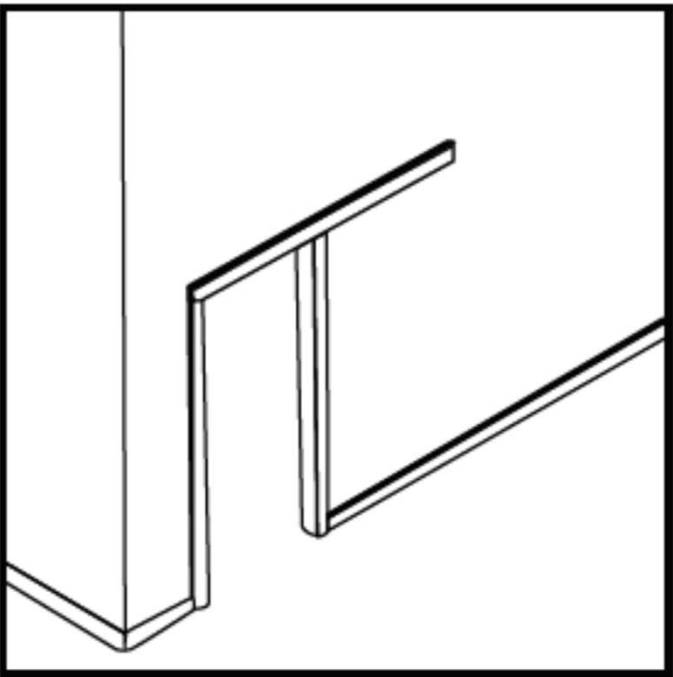
WALL PREPARATION:

Track **MUST** be securely mounted to solid blocking



New Construction:

- Add a 2x8 minimum solid wood header for entire length of the Track/Rail
- Validate with Local Building Code



Existing Construction:

- Continuous Solid Wood Blocking must be installed along the entire length of the Track/Rail
- Validate with Local Building Code

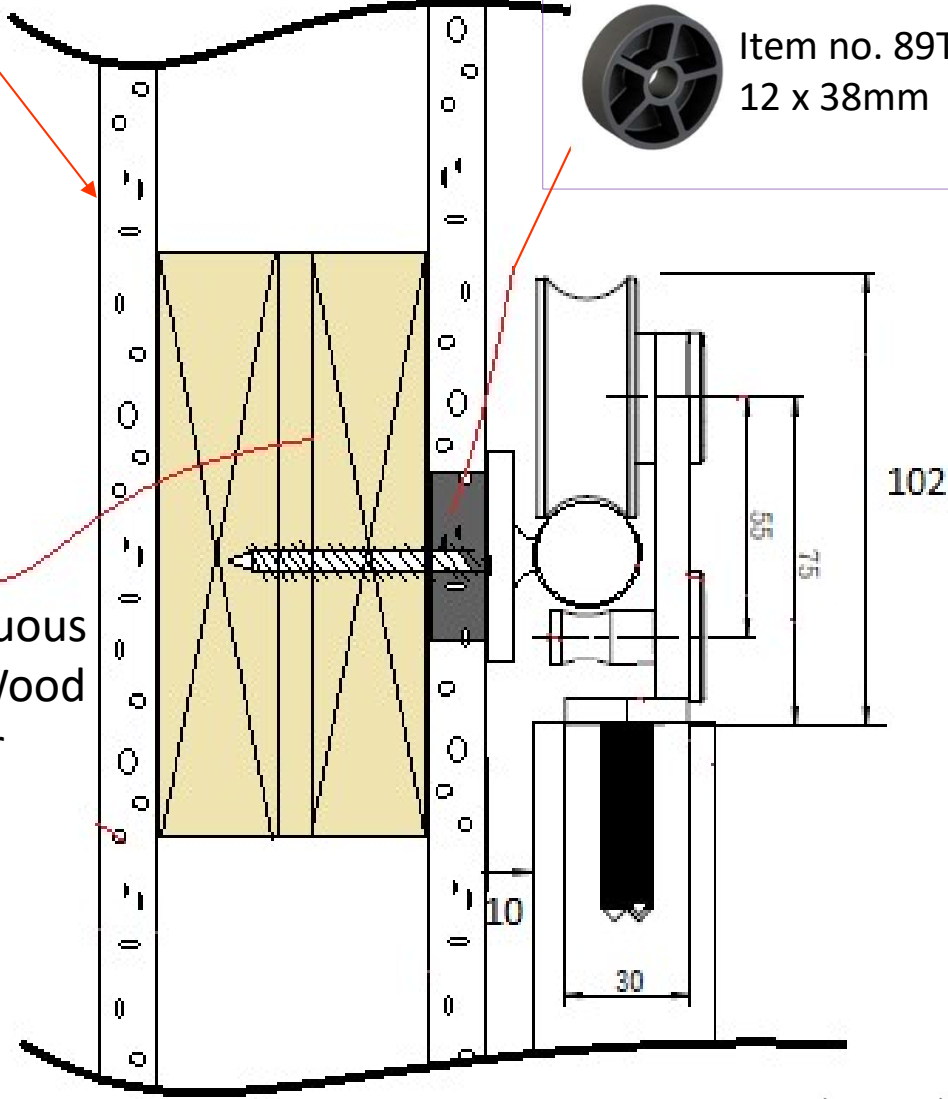
**APPLICATION:
MOUNTING TRACK USING WALL SUPPORT DISCS**

Drywall/gypsum
Board or sheetrock

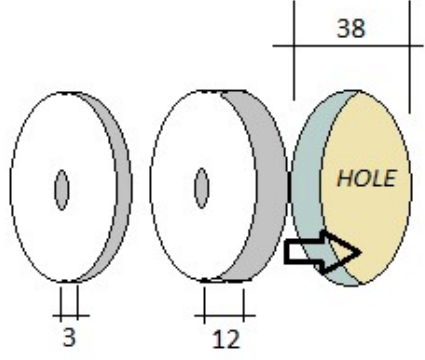
Continuous
Solid Wood
Header

Internal Wall Support

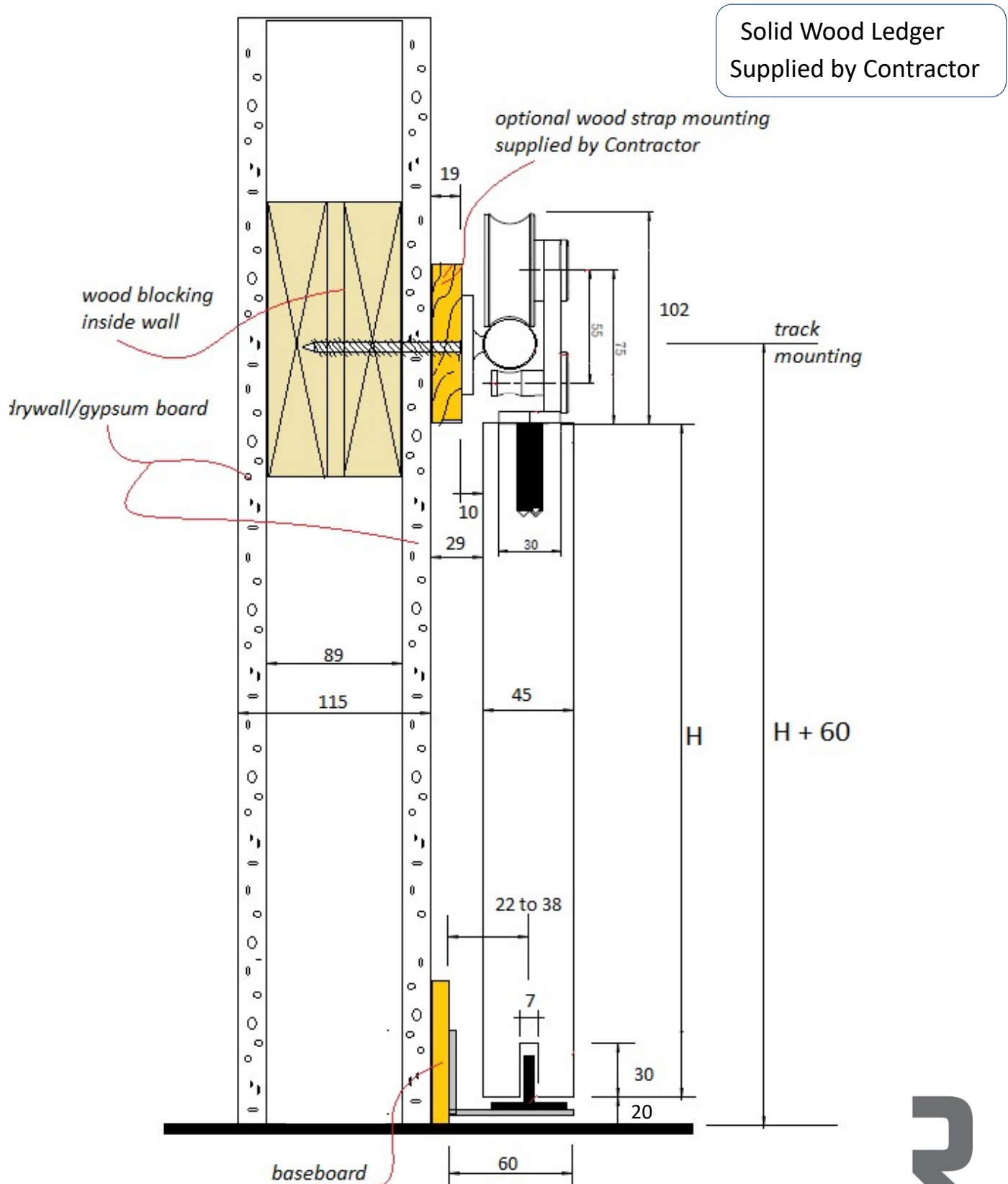
-  Item no. 89TY90042630090
3 x 38mm
-  Item no. 89TY90042640090
12 x 38mm



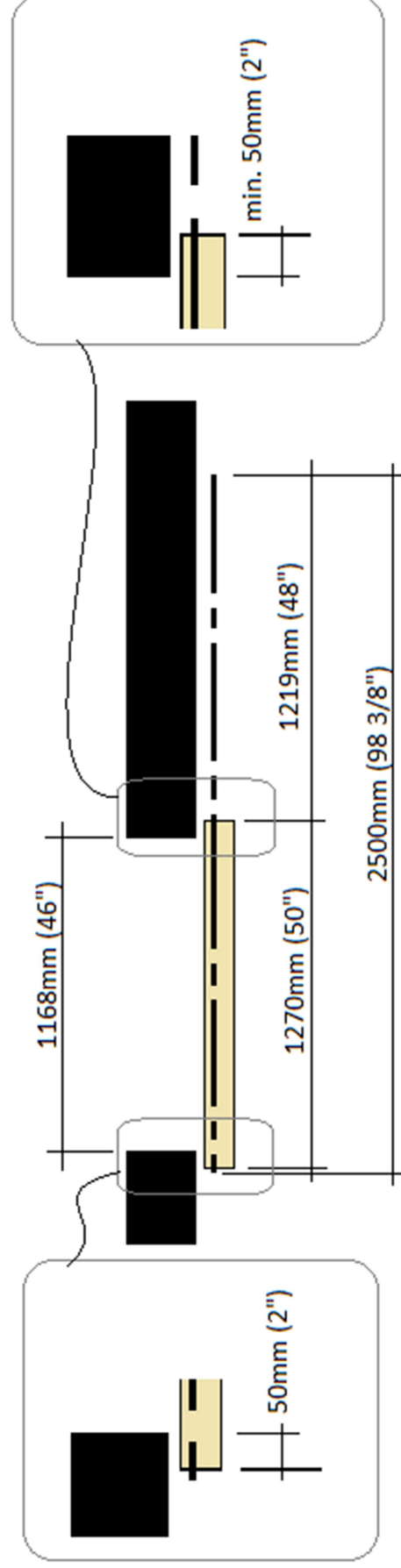
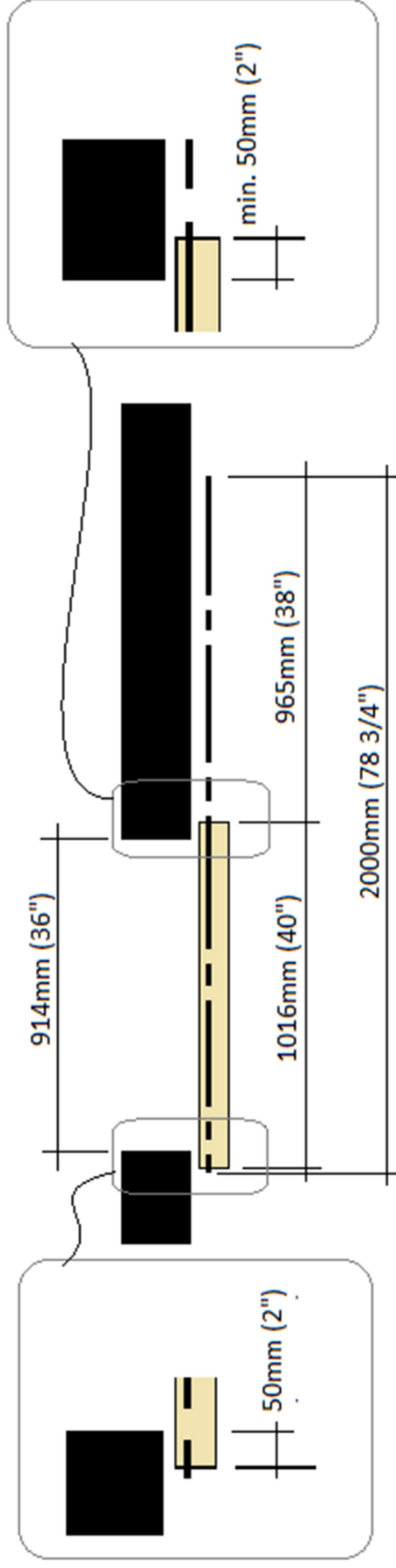
Drill 38mm (1-1/2") hole in
drywall/gypsum board and
Insert disc(s) to appropriate
sheetrock thickness



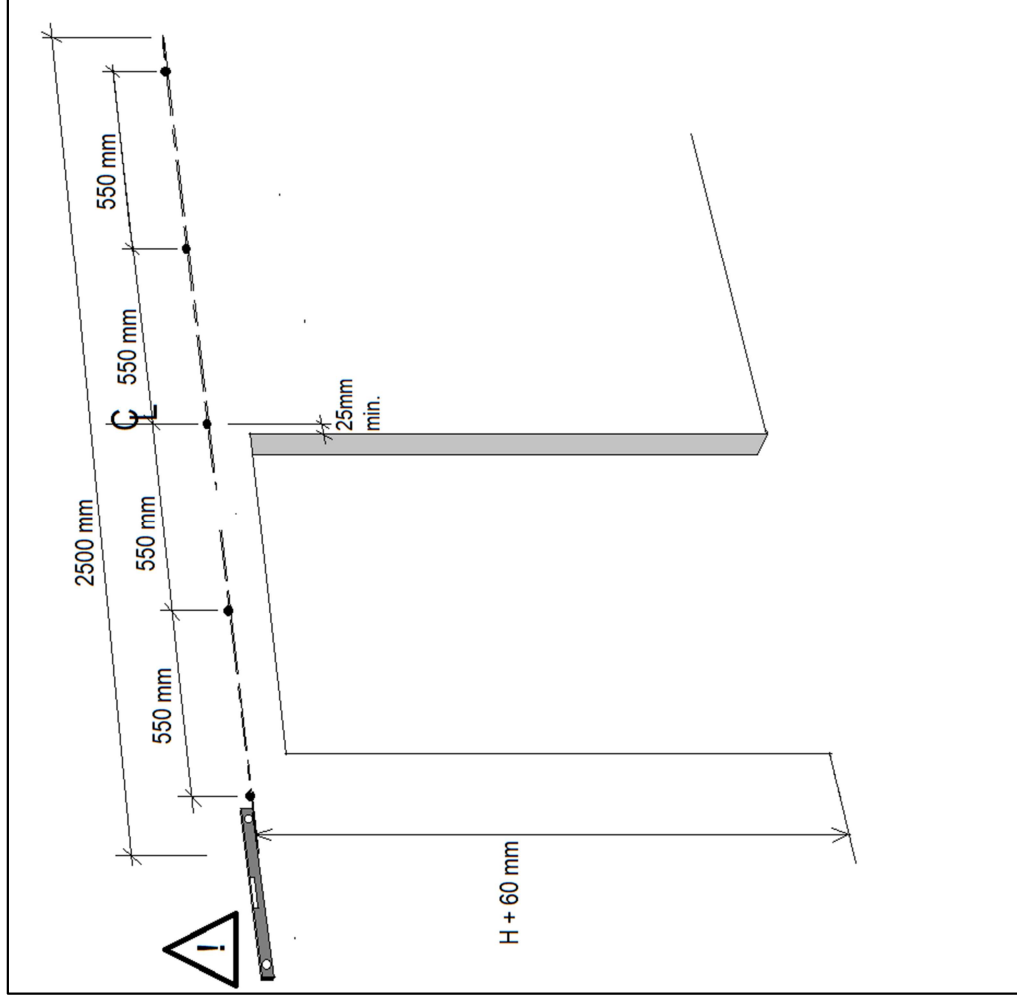
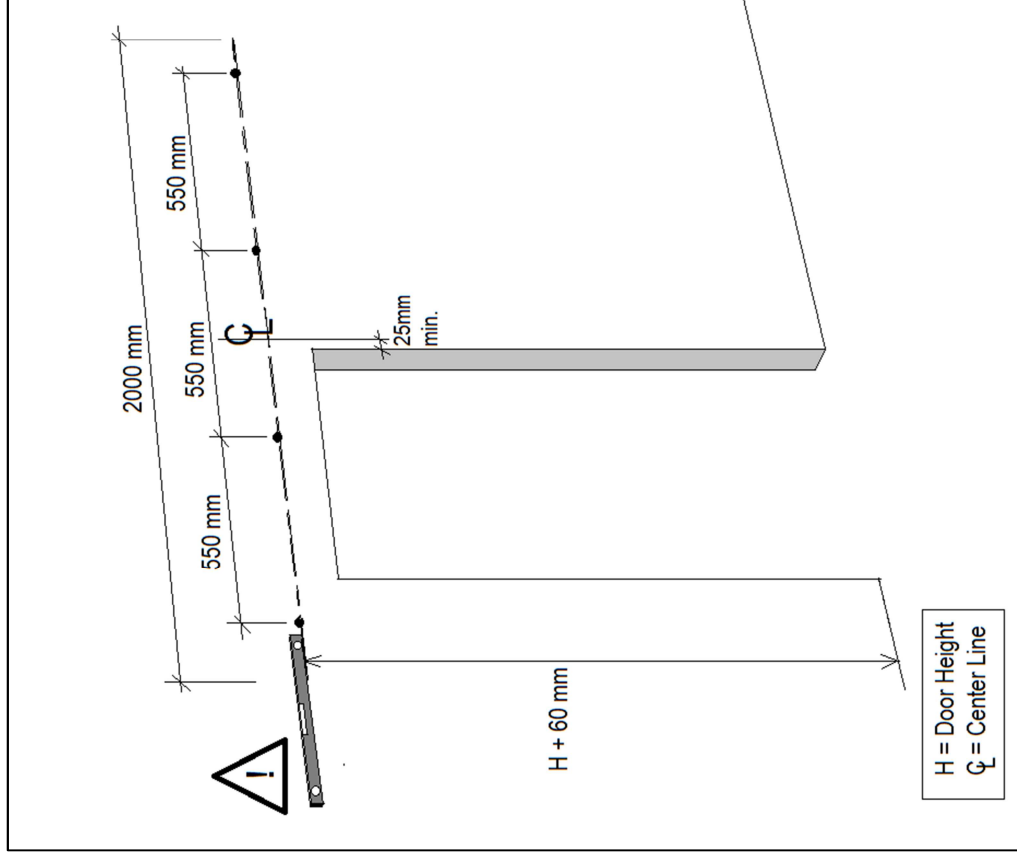
APPLICATION: MOUNTING TRACK USING SOLID WOOD LEDGER BOARD



PLAN VIEW - DOOR WIDTH EXAMPLES

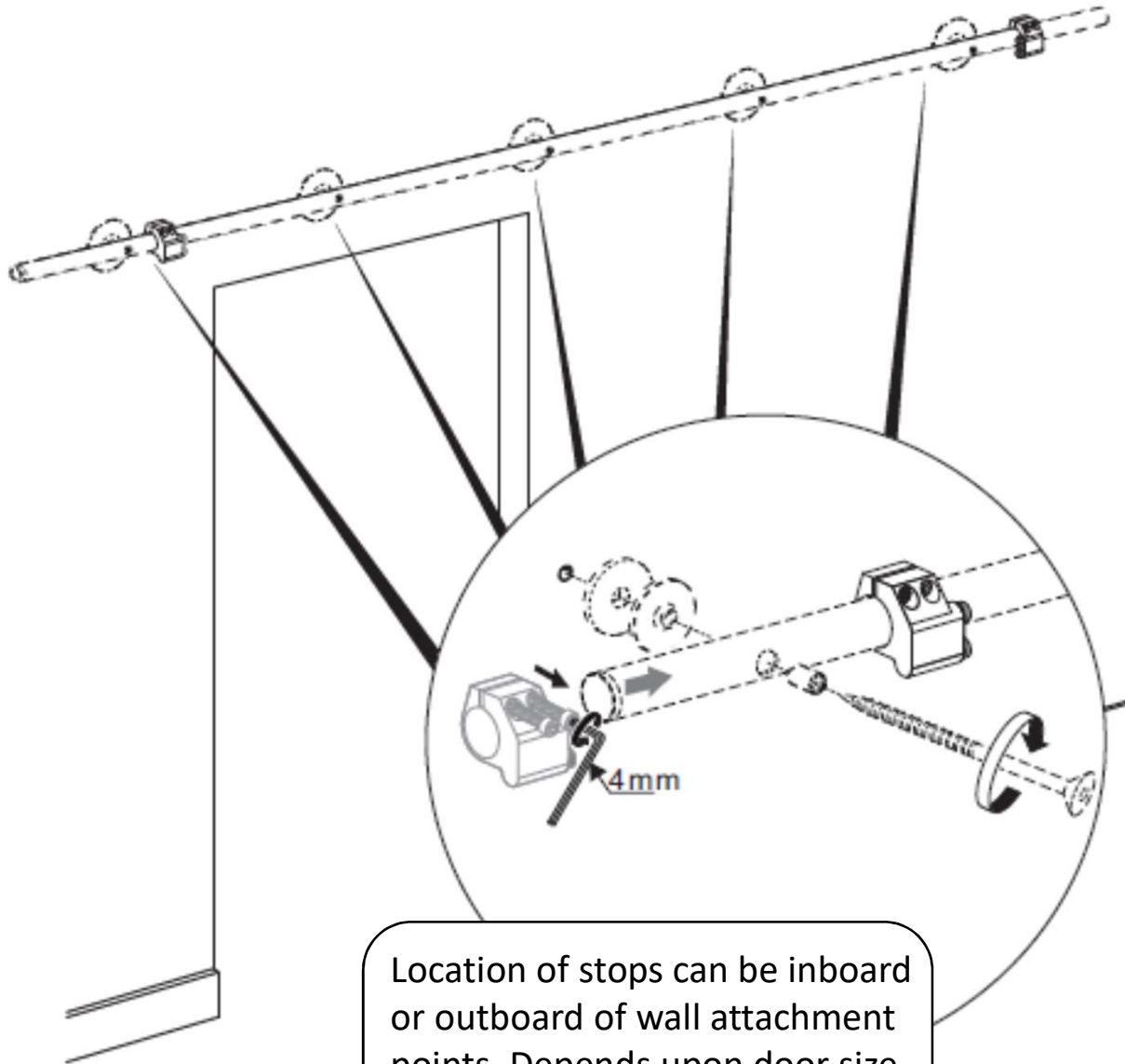


TRACK MOUNTING



Wear Safety Glasses

TRACK MOUNTING

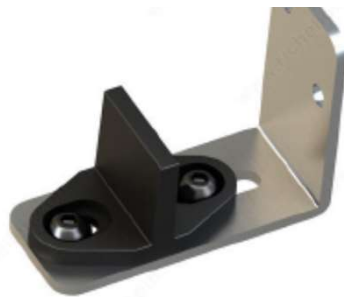
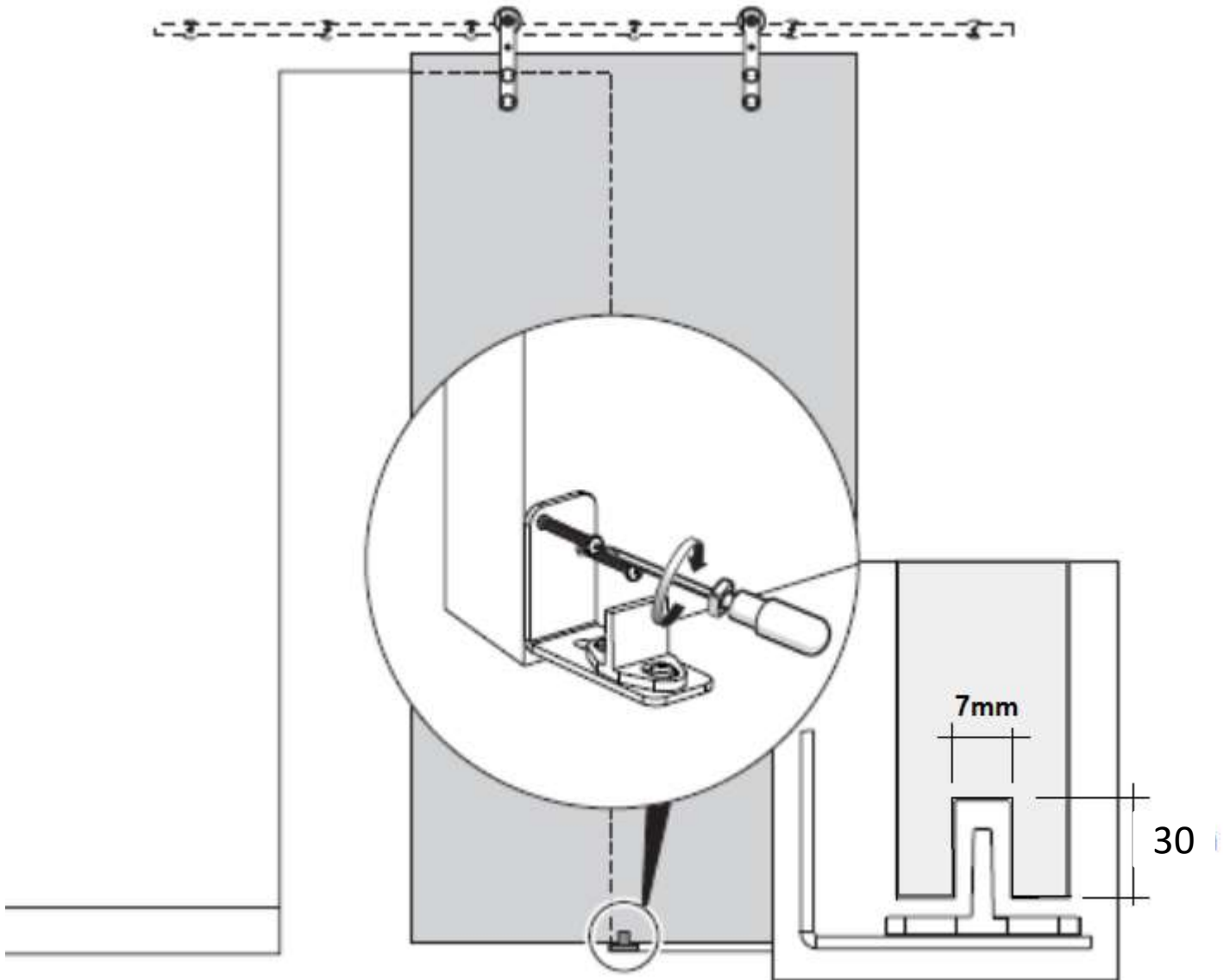


Location of stops can be inboard or outboard of wall attachment points. Depends upon door size and final stop locations to obtain the desired door overlay.

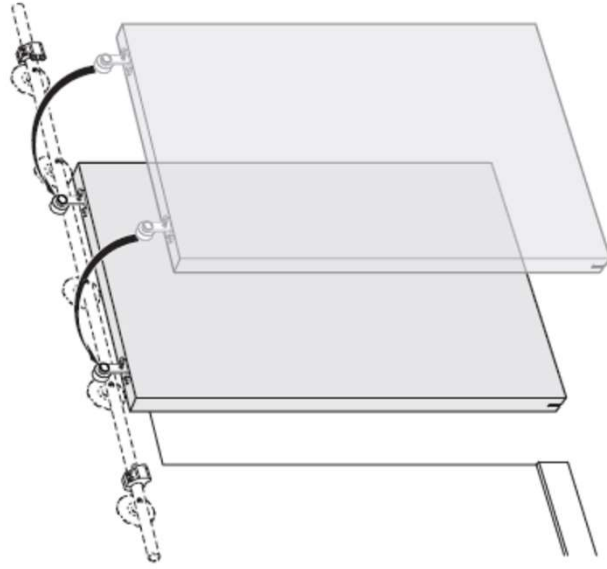
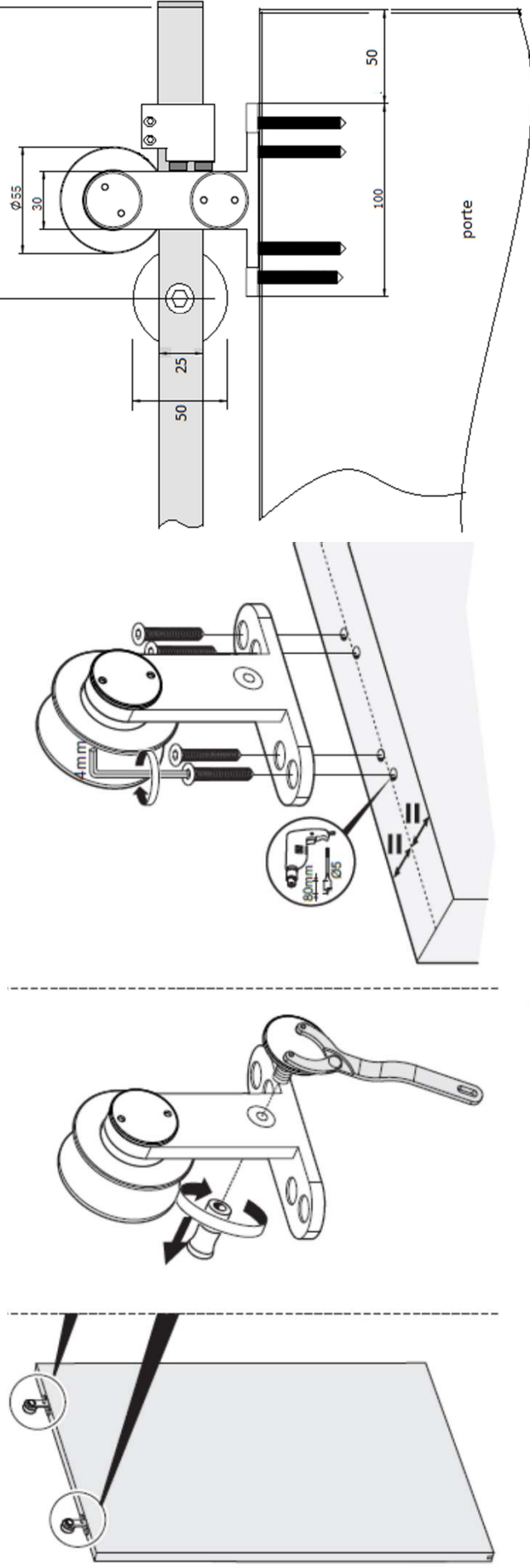


Do not install directly onto drywall or other hollow wall. Such surfaces are not strong enough to support the total active weight of the rail and door. Every fastener used to attach the rail to the wall must be fastened securely into a structural surface.

INSTALL BOTTOM DOOR GUIDE

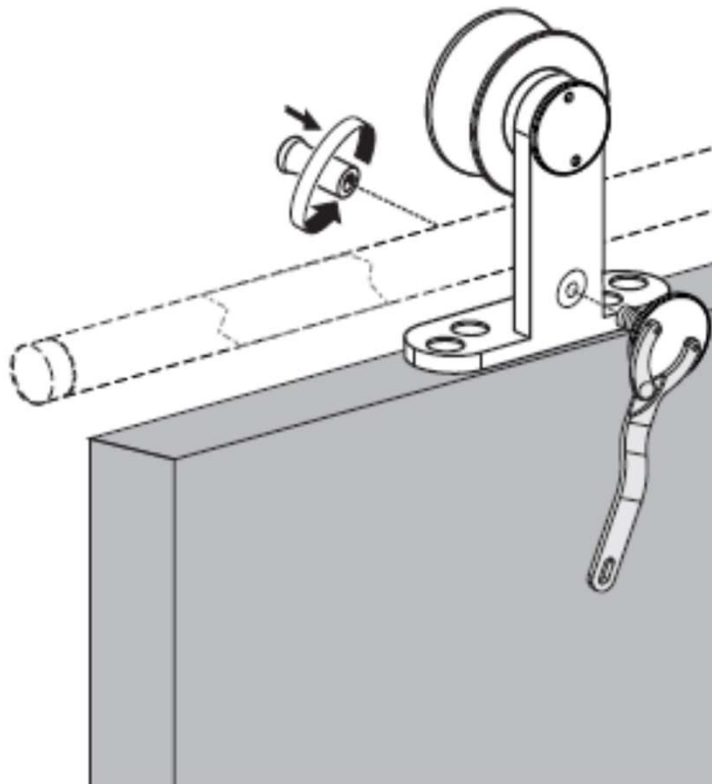
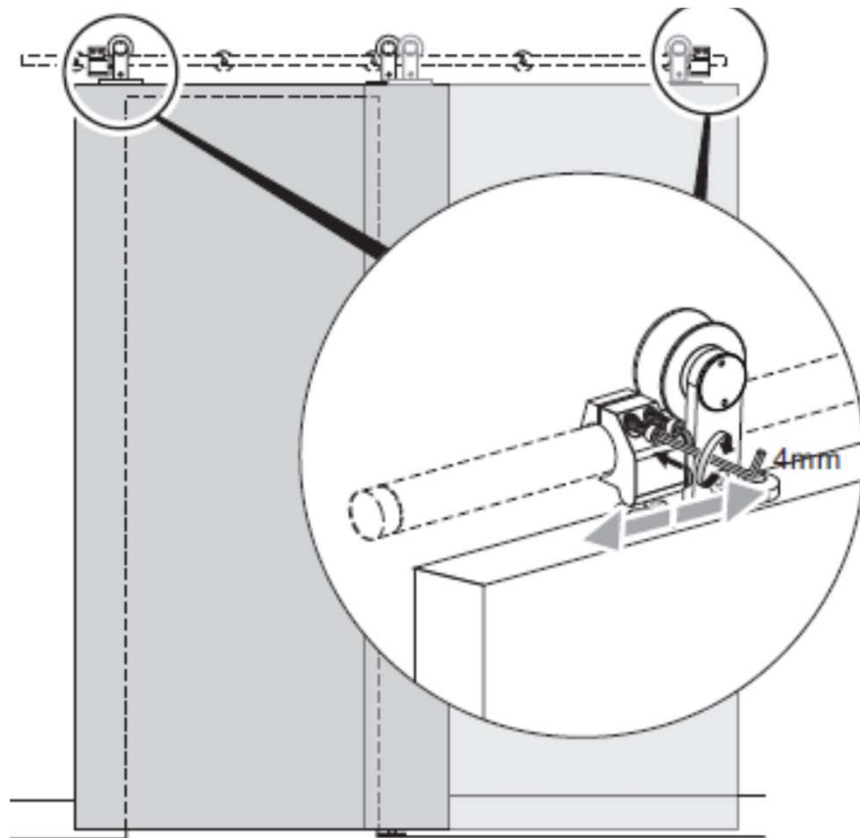


REMOVE ANTI-DERAIL PIN & INSTALL TROLLEY



- Remove anti-derailing pin and hang the door
- Before mounting the upper trolleys on to the track remove all dust and debris from the track and trolleys. Use a dry cloth, see page 12 for more information.

ADJUST TRACK STOPPER (FOR OVERLAY) & REINSTALL ANTI-DERAIL PIN



General Maintenance and Care

Keep the track and trolleys clear of dust and debris.

If the surface is wet, use a dry soft cloth and wipe dry.

Avoid using soap, grease, oils, abrasive and corrosive cleaners.

The trolleys do not require lubrication.