



Hardware set for 1 wood door

Item no. 89TSQ04190

Includes:

Trolleys Strap mount Through bolts for door

Anti-jump disc's

Stoppers (left & right)

Wall/Floor guide

Hex Keys



TECHNICAL DATA

Door Thickness: 35 to 45mm (1 3/8" – 1 3/4")

Weight Capacity per Door: max. 100 kg (220 lbs)

Trolley Type: Ball Bearing

Track & Hardware Finish: Matte black

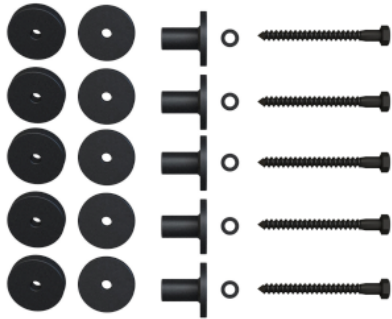
NOTES

The ROBUSTE sliding systems is designed for interior use only.

The finish is not guaranteed in exterior applications, marine and polluted environments.

The intention for this document is to provide a guide for installation and assembly. The Contractor is responsible to determine what is best for the application.

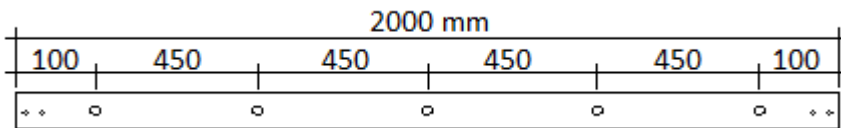
2.0 meter Track Set



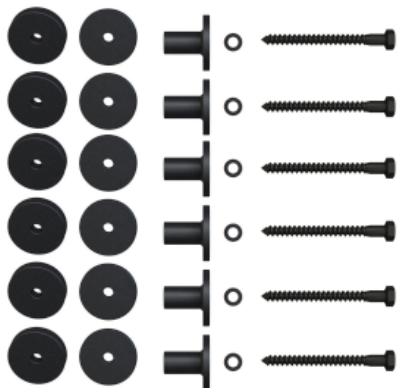
Item no. 89TSQ04290

2.0m (78 3/4") Track set with 5 mounts & spacers Includes:

- 1) 2.0M (78 3/4") Flat Track
- 5) Wall Mount Stand-offs
- 5) 6mm x 50mm Spacers
- 5) 12 mm x 50mm Spacers
- 5) 130mm (5 1/8") fastener screws and collars



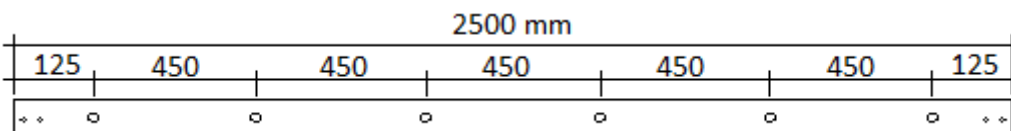
2.5 meter Track Set



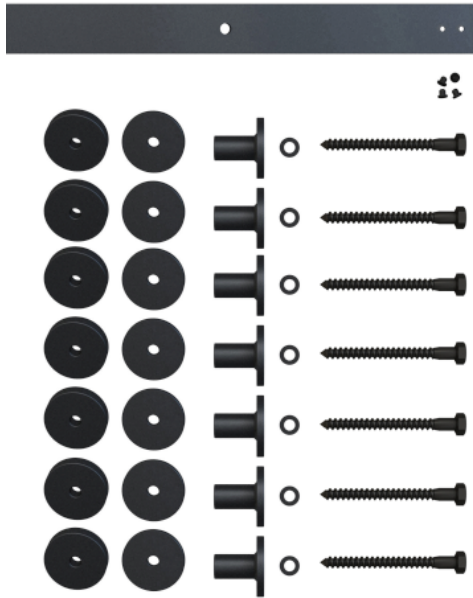
Item no. 89TSQ04390

2.5m (98 3/8") Track set with 6 mounts & spacers Includes:

- 1) 2.5M (98 3/8") Flat Track
- 6) Wall Mount Stand-offs
- 6) 6 x 50mm Spacers
- 6) 12 x 50mm Spacers
- 6) 130mm (5 1/8") fastener screws and collars



3.0 meter Track Set

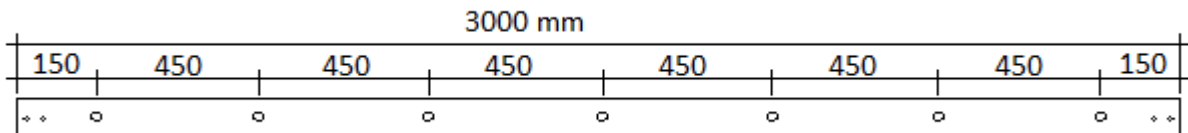


Item no. 89TSQ04490

3.0m (118") Track set with
7 mounts & spacers

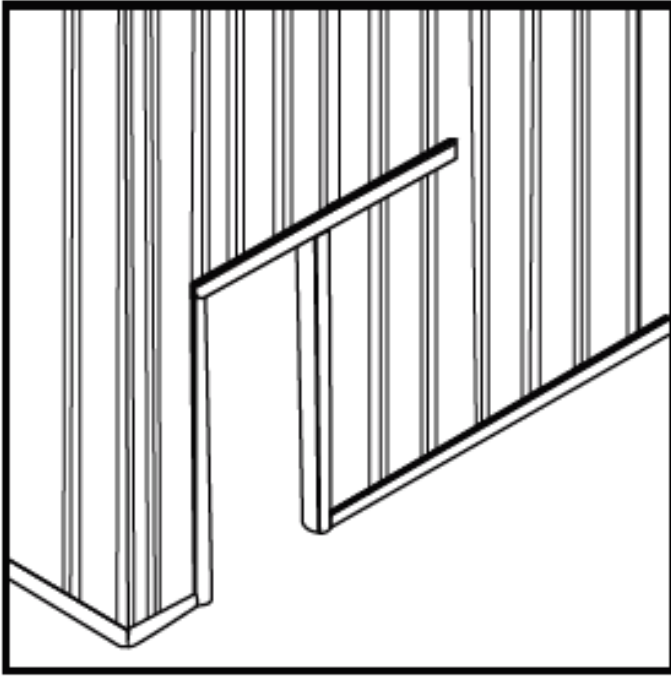
Includes:

- 1) 3.0M (118") Flat Track
- 7) Wall Mount Stand-offs
- 7) 6mm x 50mm Spacers
- 7) 12 mm x 50mm Spacers
- 7) 130mm (5 1/8")
fastener screws and collars



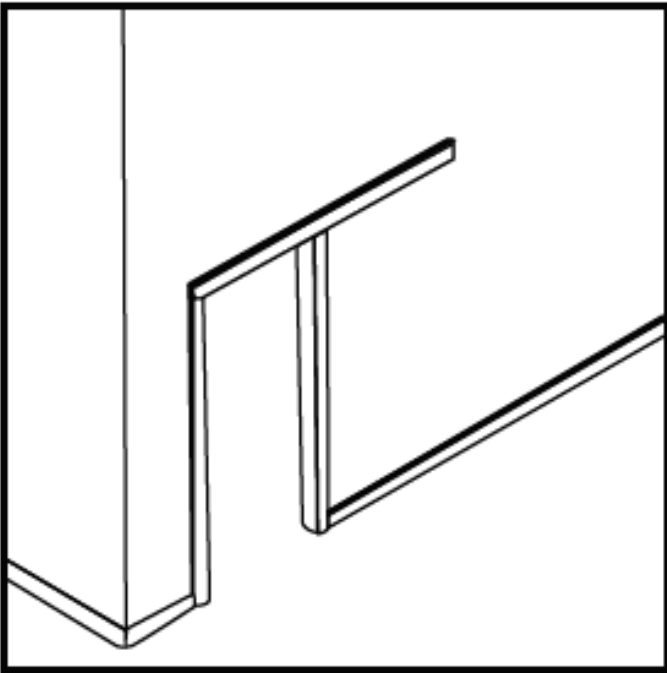
WALL PREPARATION:

Track **MUST** be securely mounted to solid blocking



New Construction:

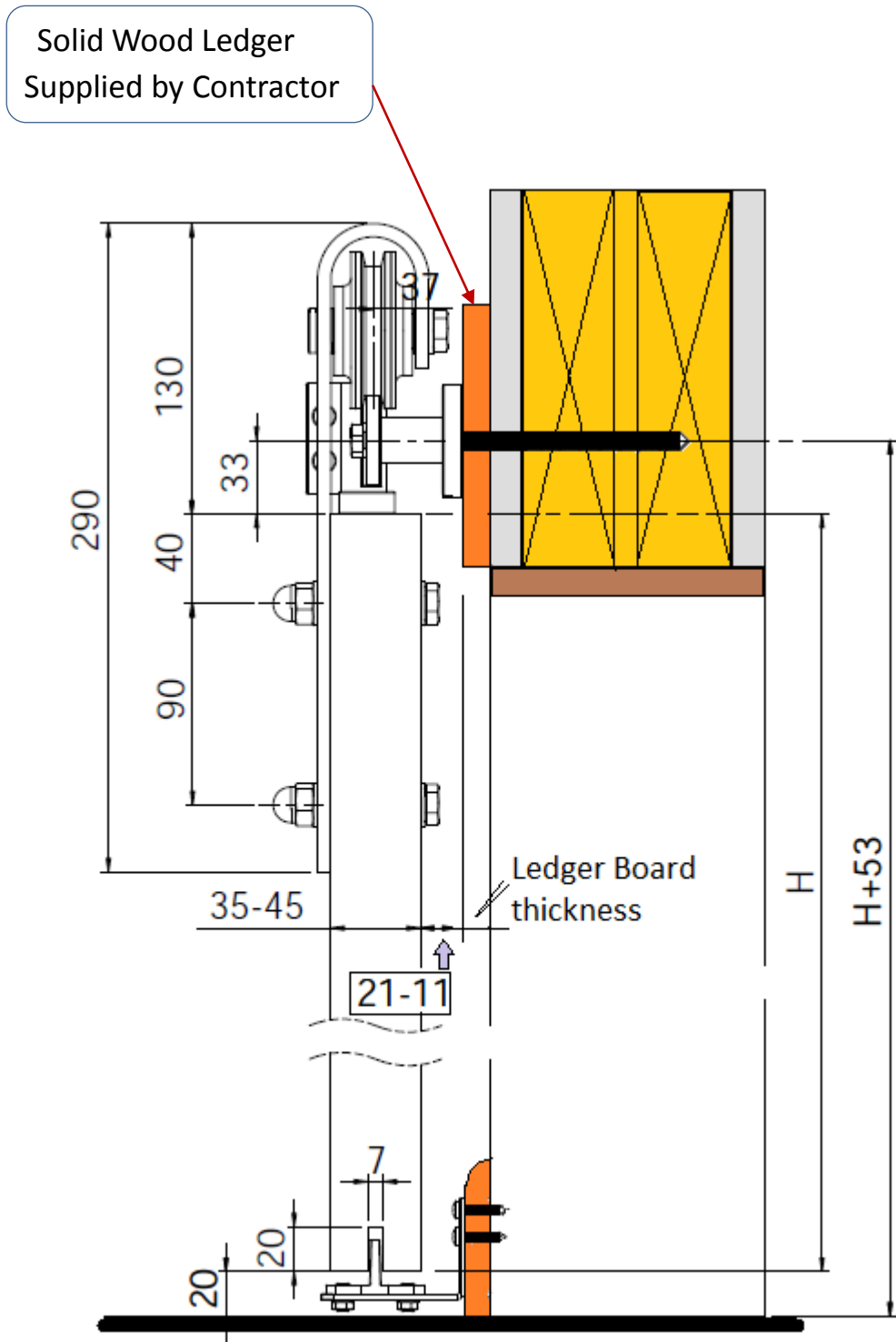
- Add a 2x8 minimum solid wood header for entire length of the Track/Rail
- Validate with Local Building Code



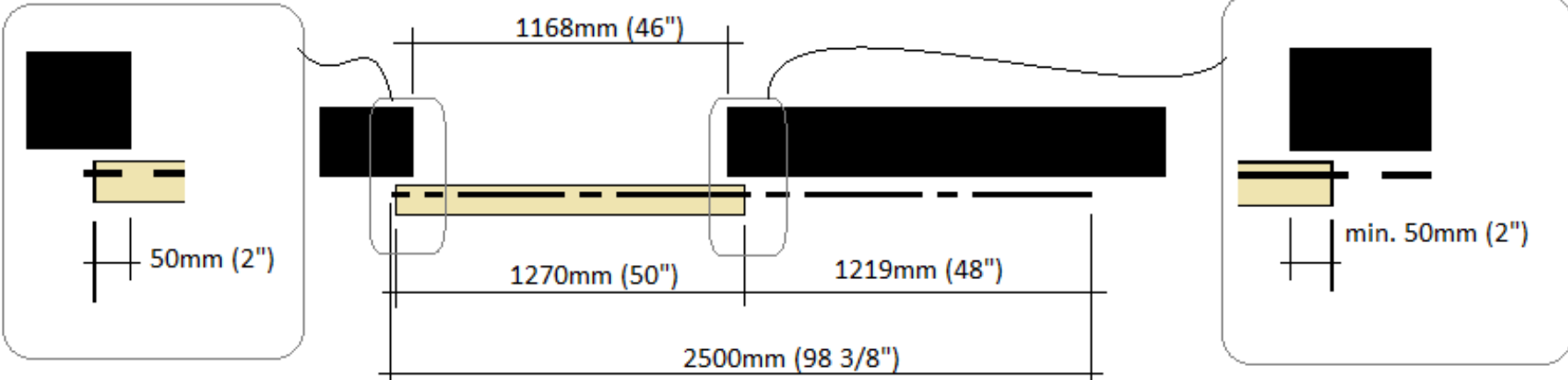
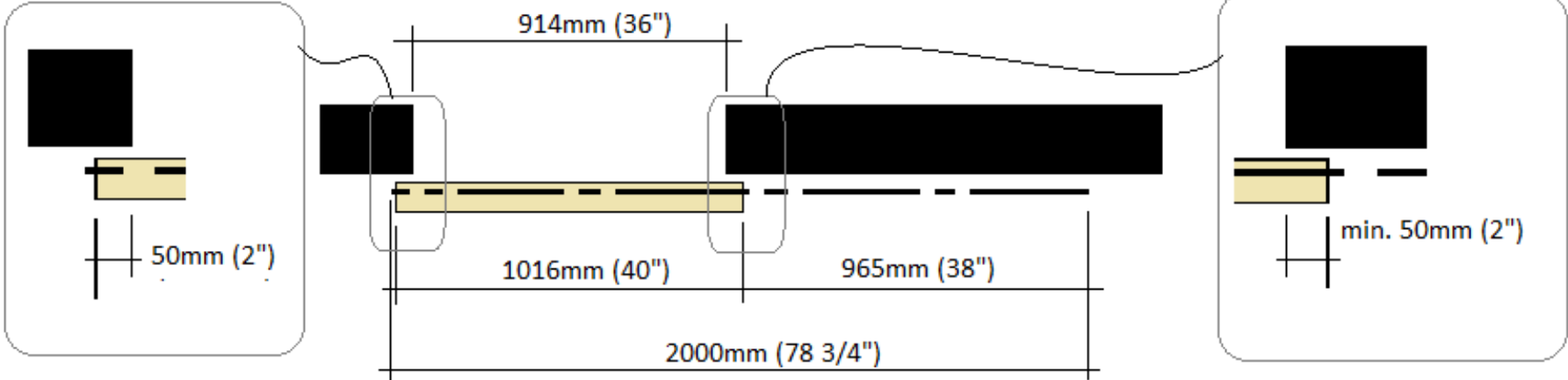
Existing Construction:

- Continuous Solid Wood Blocking must be installed along the entire length of the Track/Rail
- Validate with Local Building Code

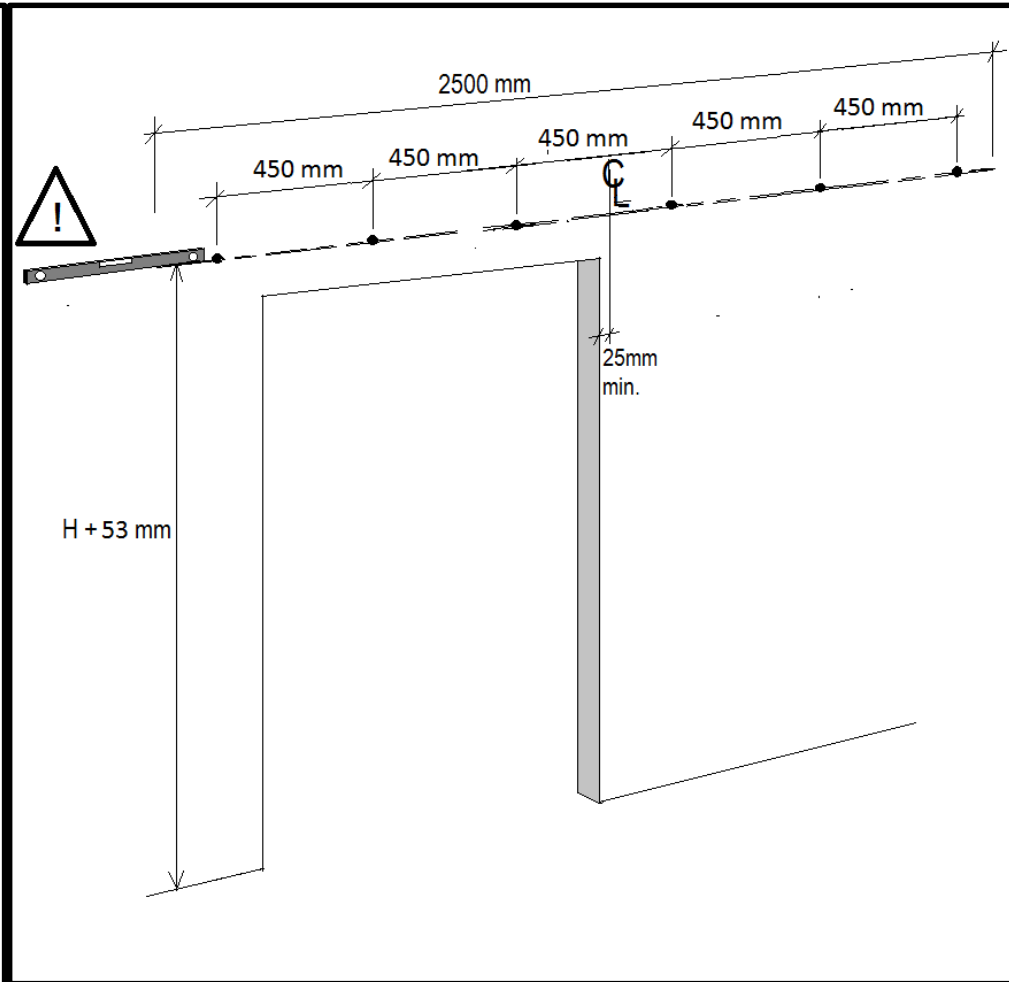
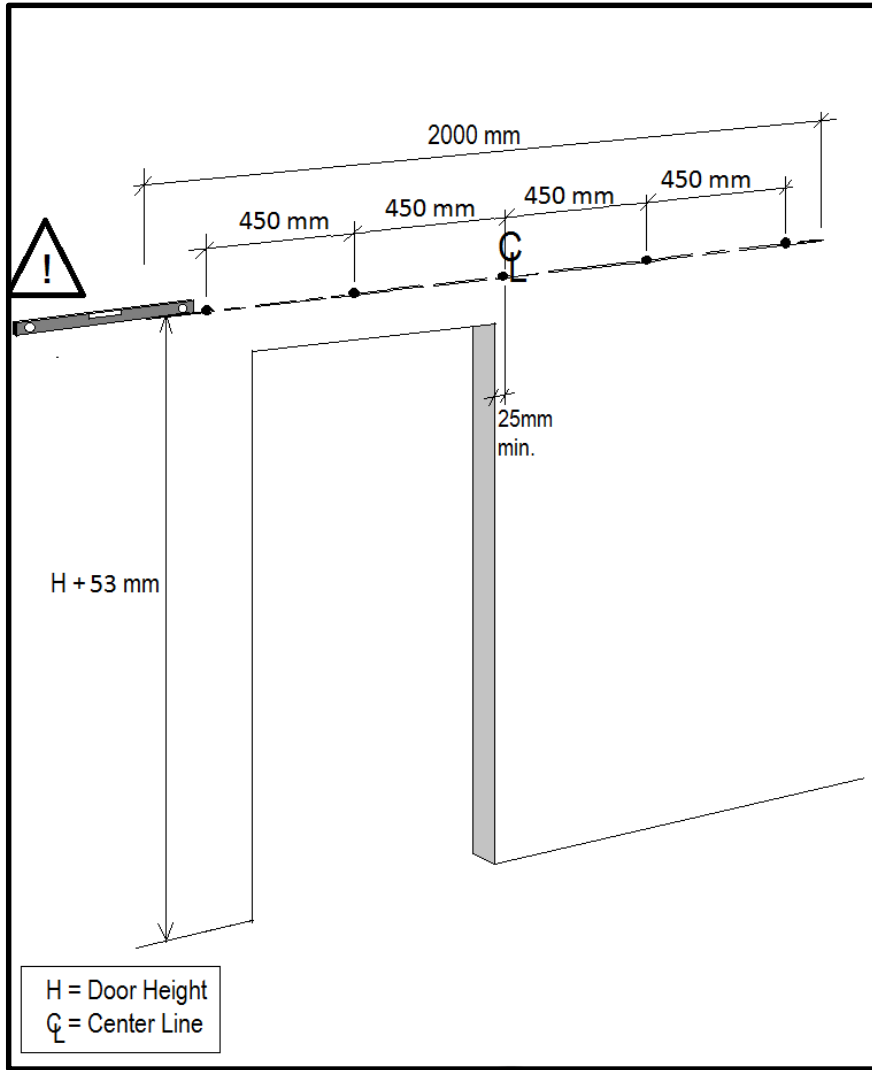
APPLICATION: MOUNTING TRACK USING SOLID WOOD LEDGER BOARD



PLAN VIEW - DOOR WIDTH EXAMPLES



TRACK MOUNTING

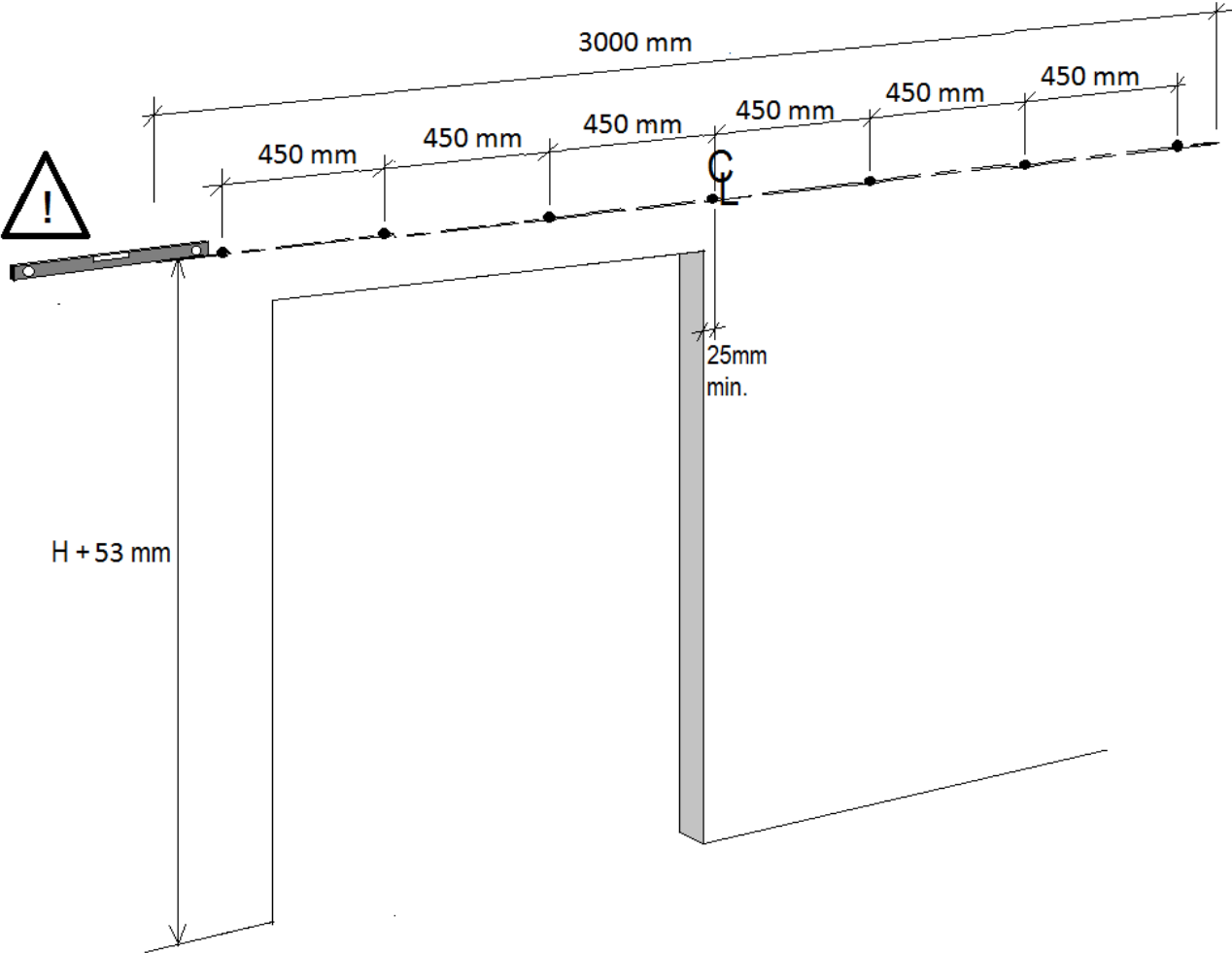


Wear Safety Glasses



Richelieu

TRACK MOUNTING



H = Door Height
C = Center Line

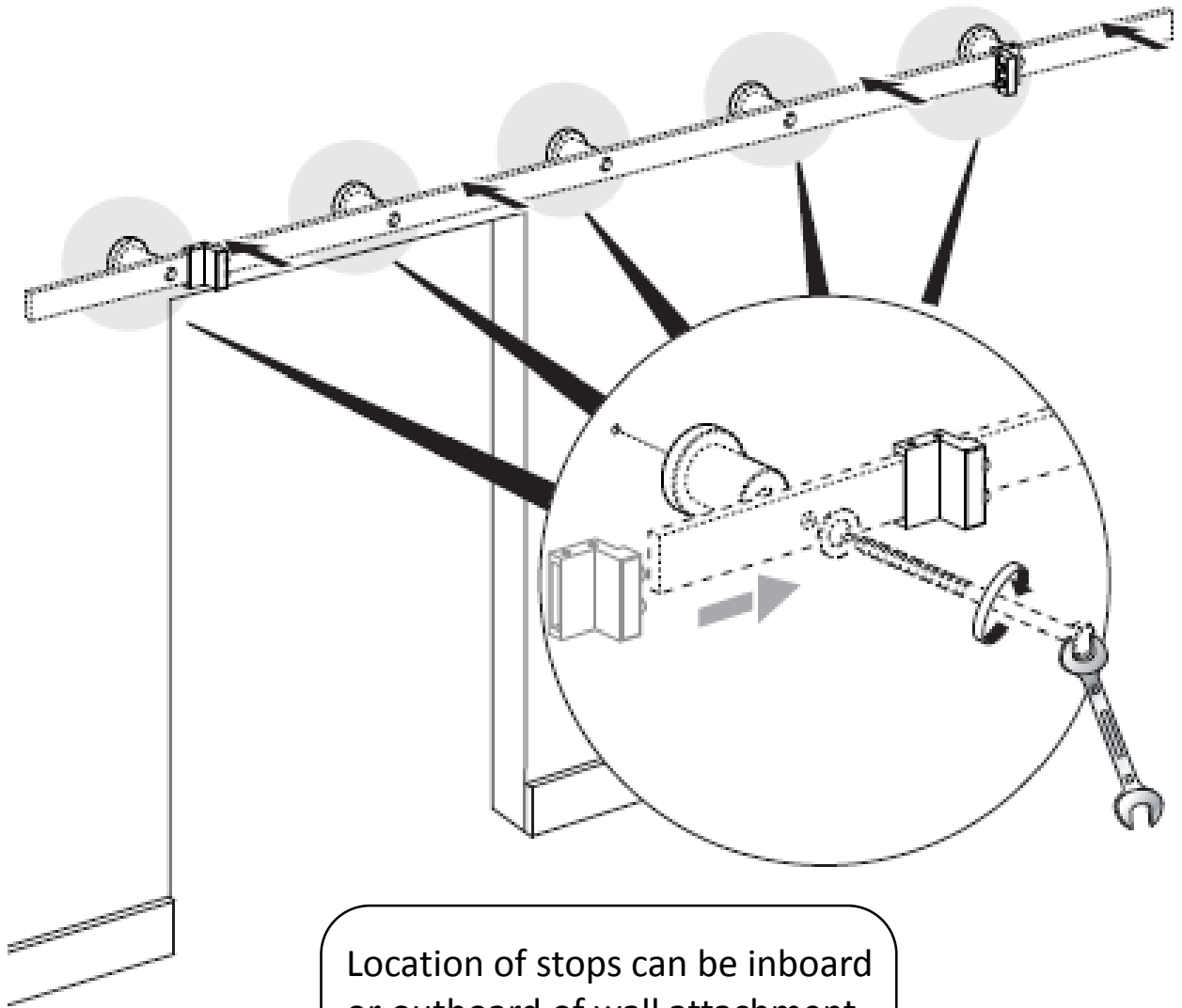


Wear Safety Glasses



Richelieu

TRACK MOUNTING

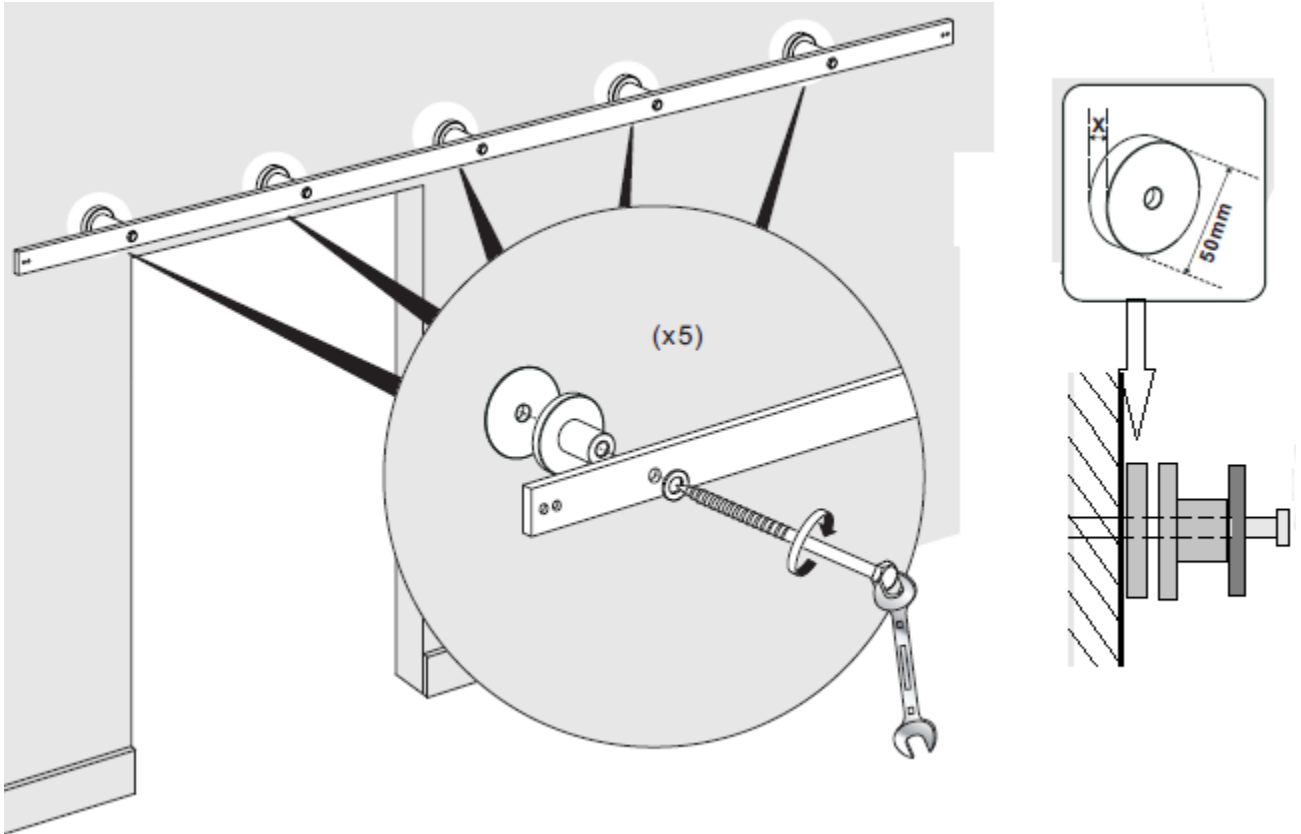


Location of stops can be inboard or outboard of wall attachment points. Depends upon door size and final stop locations to obtain the desired door overlay.



Do not install directly onto drywall or other hollow wall. Such surfaces are not strong enough to support the total active weight of the rail and door. Every fastener used to attach the rail to the wall must be fastened securely into a structural surface.

TRACK MOUNTING WITH SPACERS

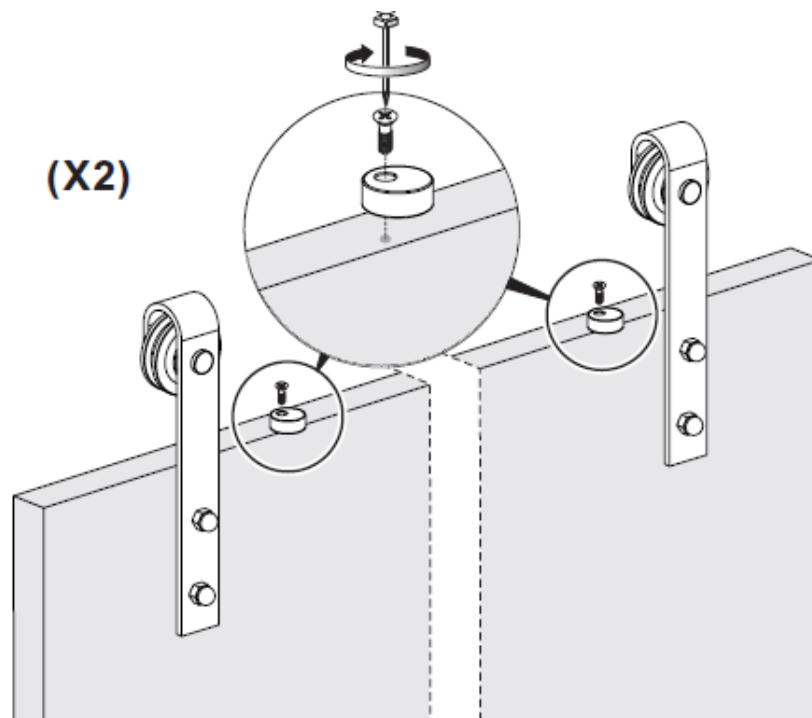
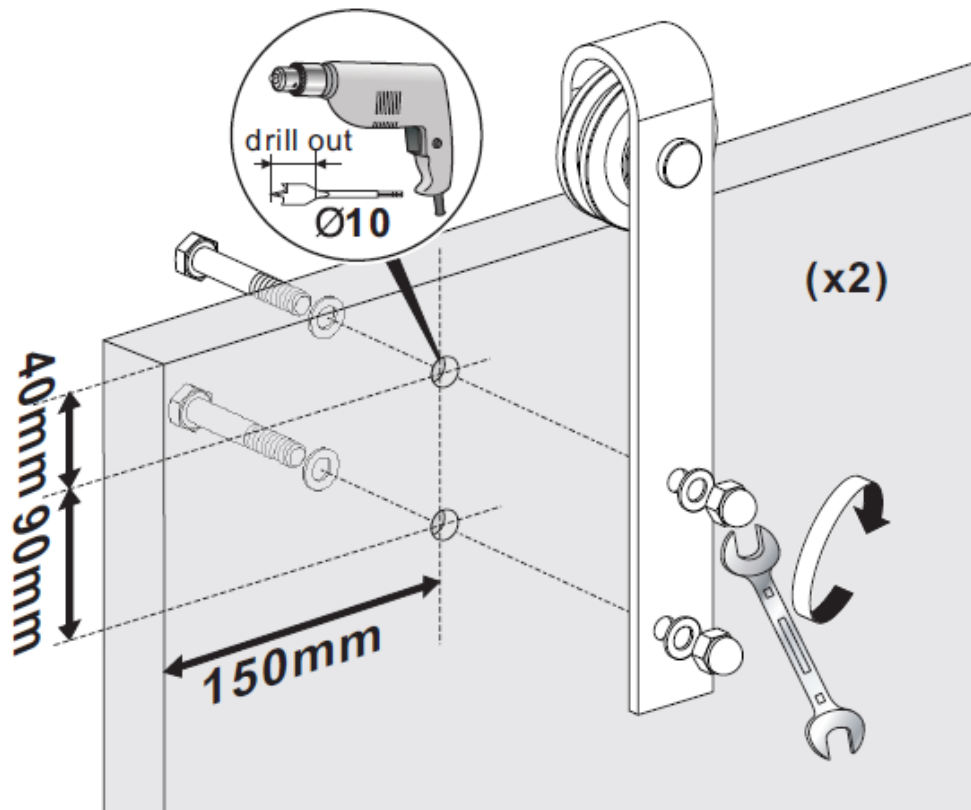


Insert Spacer Disc if necessary to shim track further from the wall. Select from 6mm and/or 12mm thick Spacers

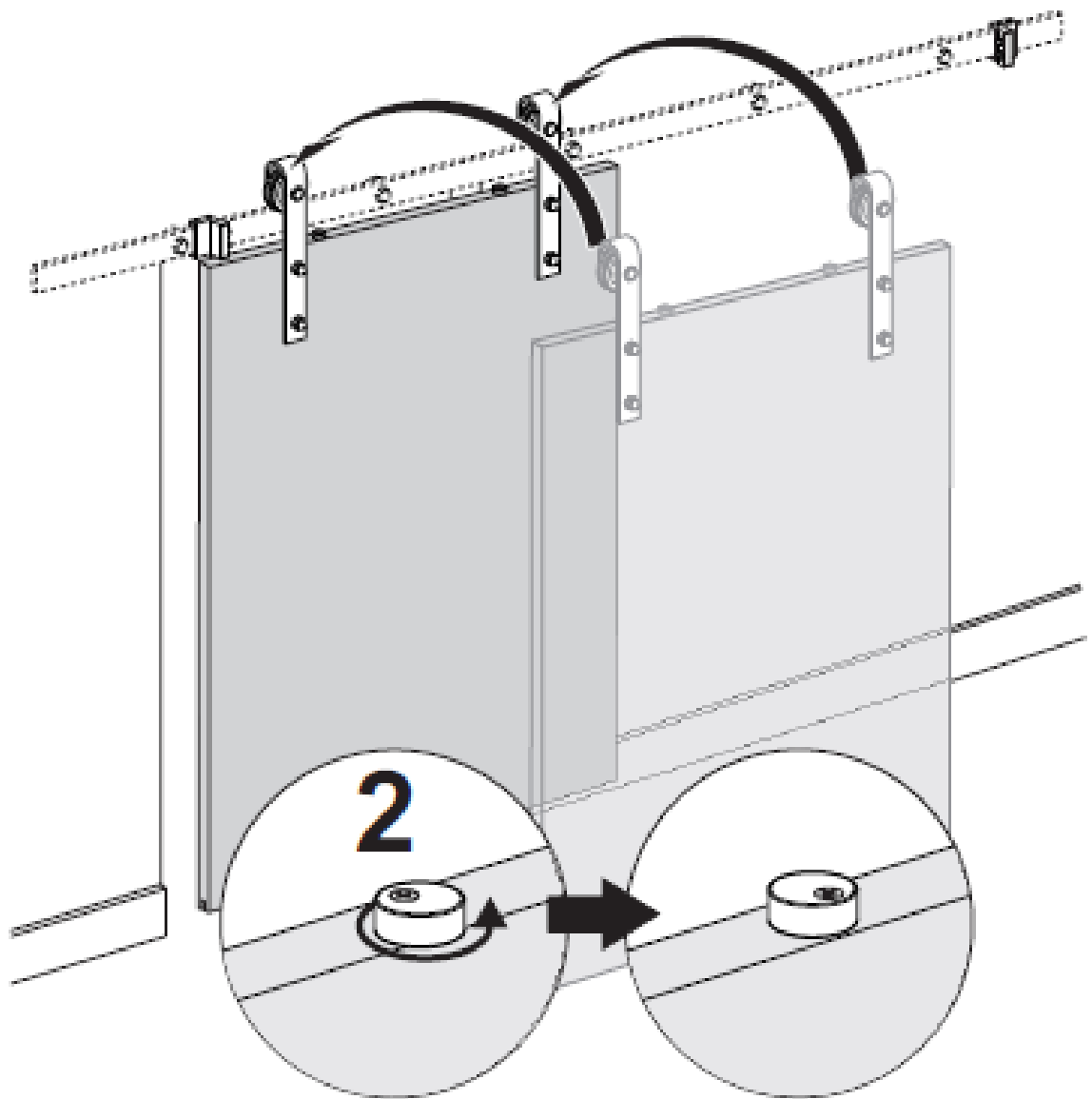
If a more pronounced spacing was necessary, are also available in suggested products:

- 246TY900440090 3 x 50 mm
- 246TY900433090 6 x 50 mm

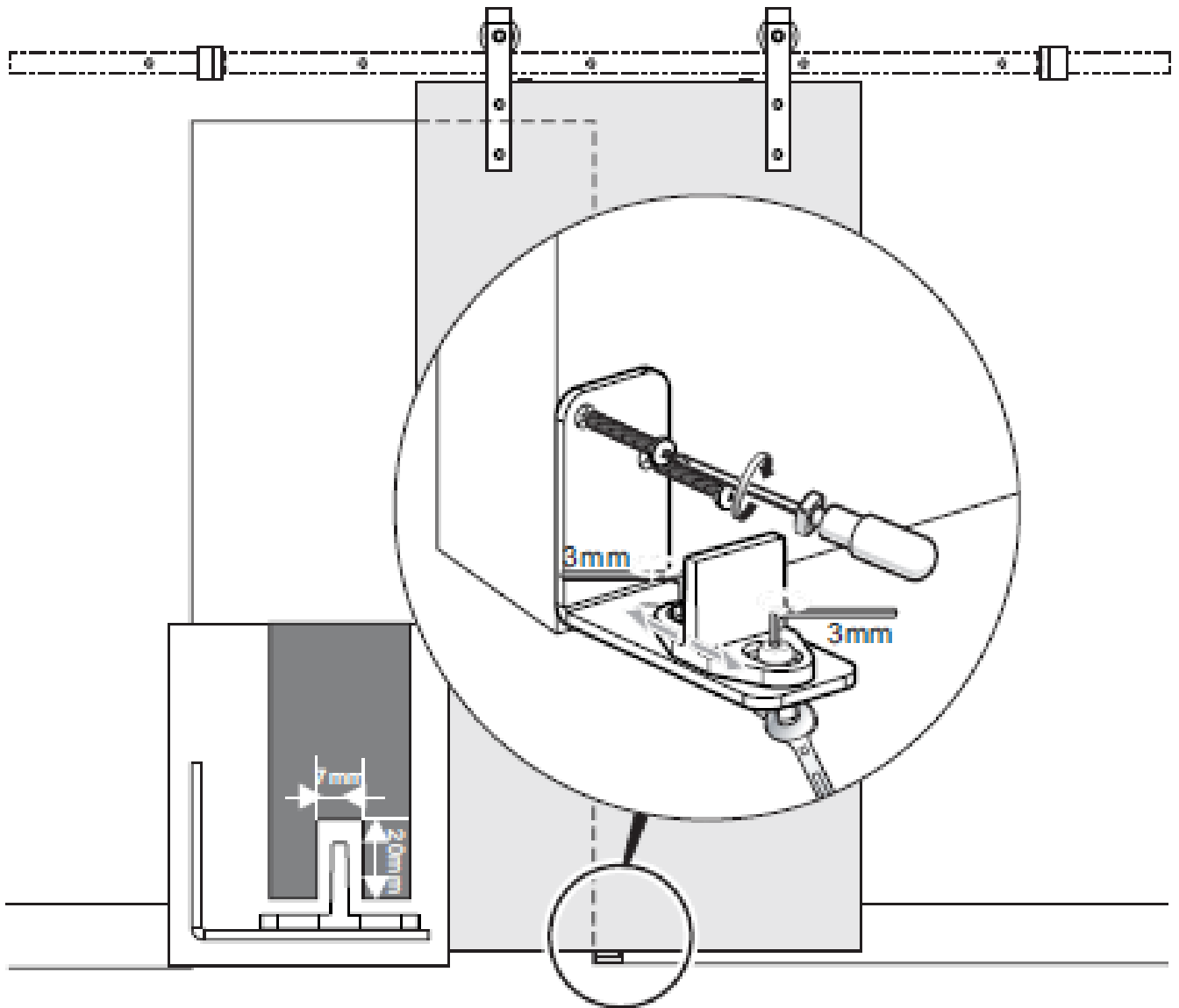
DOOR MOUNTING



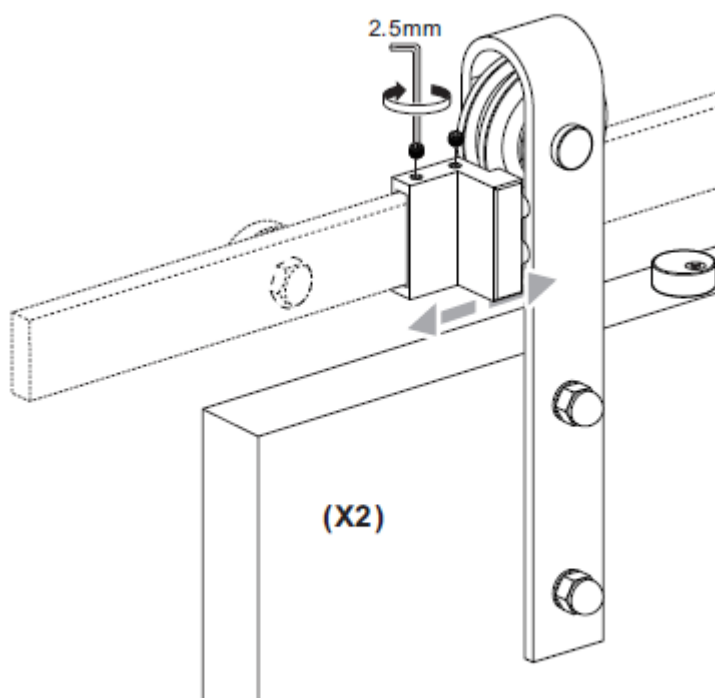
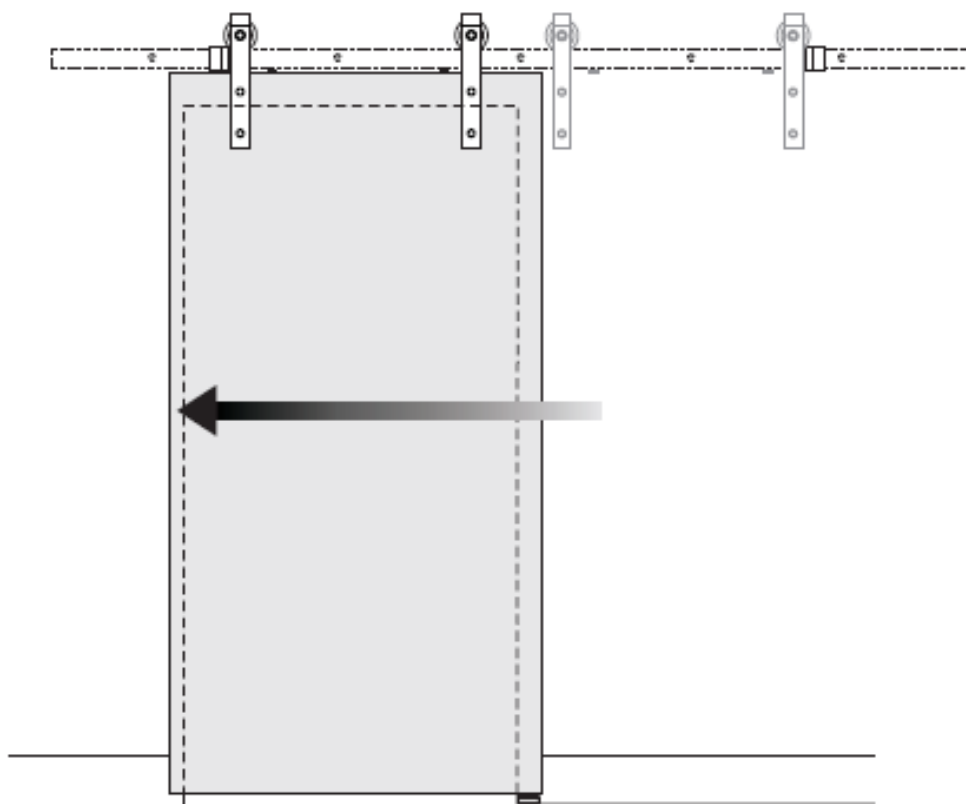
DOOR MOUNTING



INSTALL BOTTOM DOOR GUIDE



ADJUST TRACK STOPPER



General Maintenance and Care

Keep the track and trolleys clear of dust and debris.

If the surface is wet, use a dry soft cloth and wipe dry.

Avoid using soap, grease, oils, abrasive and corrosive cleaners.

The trolleys do not require lubrication.