

Click and Clear – easier installation thanks to a clever locking mechanism.

User-friendly hardware system for sliding doors with minimum headroom applications weighing up to 80 kg (176 lbs.)

Description

The HAWA-Junior 80/B (mod.) is a combination of tried-and-tested HAWA-Junior components and a cleverly developed new suspension unit and a new track stop. Both innovations stand out as they are very simple to adjust and make installation so much easier. The suspension trolley houses both the suspension unit and the assembly wedge for innovative installation. The integrated multi-functional cover cap made of metal not only serves as a filigree cover, it also functions as a locking mechanism and as a handle for pulling out the suspension trolley.

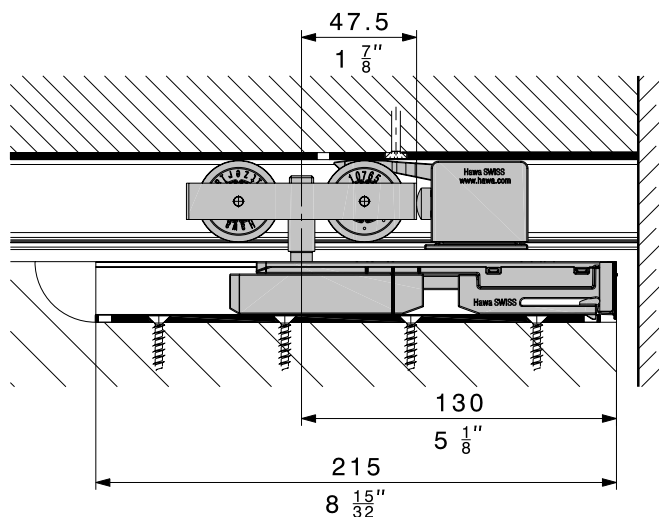
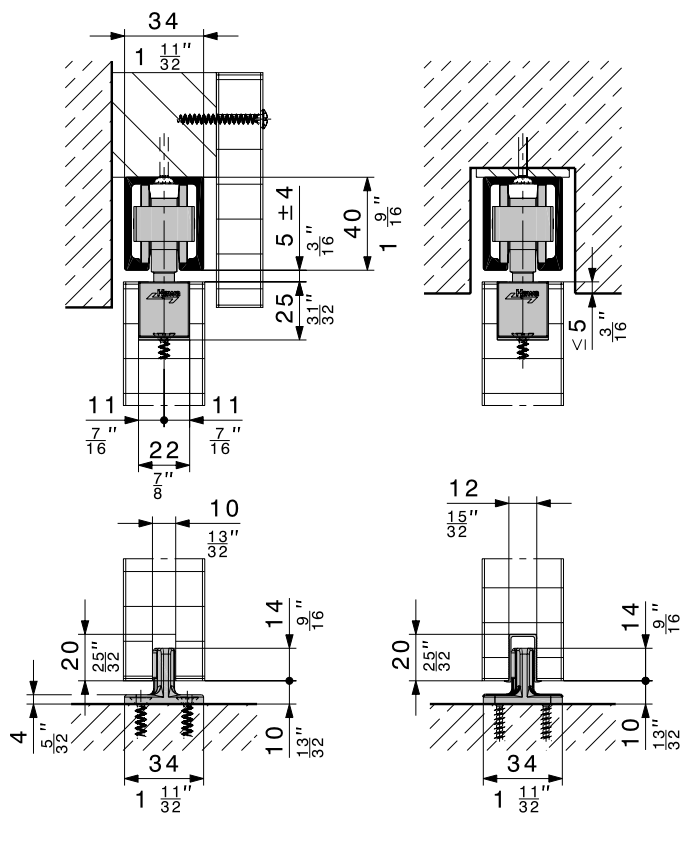
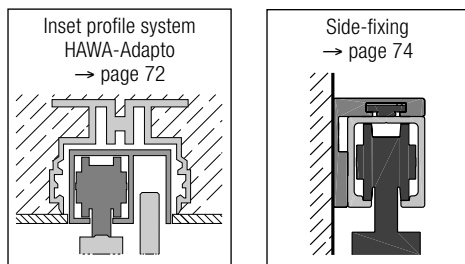
The track stop with adjustable retaining force is characterised by a new design. It is obvious which screws are used for fixing and which ones adjust the retention force to suit the weight of the door. The integrated metal cover cap conceals the integrated technique at the flick of a finger.

Applications

Ideal for optimising room space and making wooden sliding doors easy also disabled users to close, for example in retirement homes, care homes, shopping centres, railway stations, schools and public buildings, as well as in family homes, apartment complexes and hotels.

Features of the HAWA-Junior 80/B (mod.)

- Maximum door weight 80 kg (176 lbs.)
- Adjustable vertically $\pm 7 \text{ mm}$ ($\frac{9}{32}$ " [coarse adjustment $\pm 3 \text{ mm}$ ($\frac{1}{8}$ "), fine adjustment $\pm 4 \text{ mm}$ ($\frac{5}{32}$ ")]
- Low headroom applications: around 1 mm ($\frac{1}{16}$ " gap between top track and sliding door
- Suspension unit with a suspension profile and an user-friendly suspension trolley with an integrated metal cover cap
- The suspension unit is fitted to the trolley from below using the suspension screw
- Height adjustment is easily made from the leading edge without the need of extracting the suspension unit
- Track stop, adjustable retaining force and cover flap
- Smooth and quiet operation
- Set with a 20 mm ($\frac{25}{32}$ " longer hanger bolt is available
- Can be combined with soft closing mechanism SoftMove 80 for HAWA-Junior 80

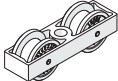
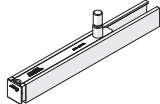
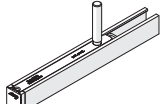
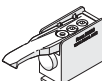

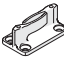


Subject to modification. Metric specifications are exact. Inches are approximate.

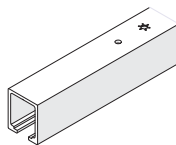
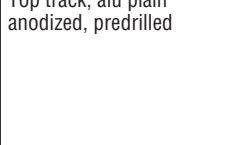
Sets for single door, without top track

| | code |
|--|-------|
| HAWA-Junior 80/B (mod.), set for single door | 24617 |
| HAWA-Junior 80/B (mod.), set with a 20 mm ($\frac{25}{32}$ ") longer hanger bolt for single door | 24851 |
| For two-panel sliding doors please order two sets for single doors. | |

Sets comprising

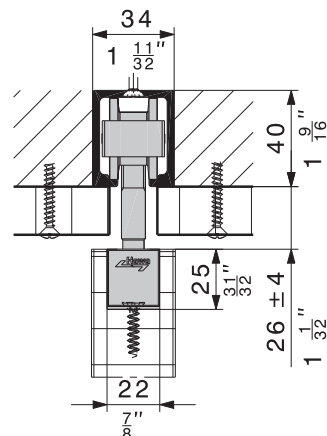
| | 24617 | 24851 | code |
|---|-------|-------|-------|
|  Two-wheeled trolley, M10, with plastic wheels | 2 | 2 | 10407 |
|  Top fixed suspension with plate and hanger bolt M10 | 2 | - | 24246 |
|  Top fixed suspension with plate and a 20 mm ($\frac{25}{32}$ ") longer hanger bolt M10 | - | 2 | 24846 |
|  Track stop, adjustable retaining force | 2 | 2 | 24497 |
|  Screw-on rubber door stop | 1 | 1 | 10629 |
|  Guide, rattle proof, for screw mounting to floor, groove width 10 mm ($\frac{13}{32}$ "), black plastic | 1 | 1 | 14427 |

Top tracks

| Caution: Hole positions vary. Minor differences in colour are possible | | mm/inch | code |
|---|--|-------------------------------|-------|
|  | Top track, alu plain anodized, predrilled | 1400 (4'7 $\frac{1}{8}$ ") | 10189 |
| | | 1600 (5'3") | 10190 |
| | | 1800 (5'10 $\frac{7}{8}$ ") | 10191 |
| | | 2000 (6'6 $\frac{3}{4}$ ") | 10192 |
| | | 2200 (7'2 $\frac{5}{8}$ ") | 10193 |
| | | 2500 (8'2 $\frac{7}{16}$ ") | 10194 |
| | | 3000 (9'10 $\frac{1}{8}$ ") | 18532 |
| | | 4000 (13'1 $\frac{1}{2}$ ") | 18533 |
| | | 6000 (19'8 $\frac{7}{32}$ ") | 10186 |
| | | cut to size | 10188 |
|  | Top track, alu stainless steel effect, brushed, predrilled | 4000 (13'1 $\frac{1}{2}$ ") | 20005 |
| | | 6000 (19'8 $\frac{7}{32}$ ") | 20004 |
| | | cut to size | 20006 |

Variant with a 20 mm ($\frac{25}{32}$ ") longer hanger bolt

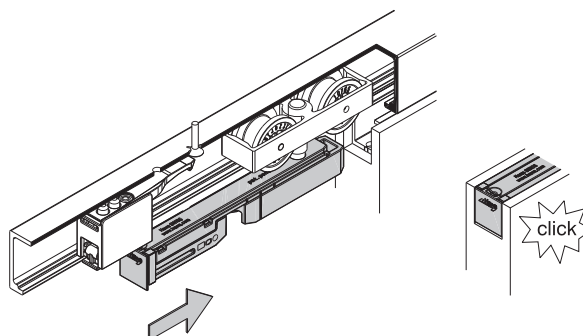
Set no. 24851 allows the top track to be covered from below with removable ceiling elements.



Attention:
ceiling elements must be removable.

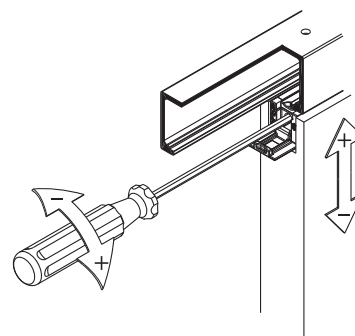
Easy and efficient installation

The suspension trolley comes already fitted with hanger bolt, assembly wedge and cover cap with locking mechanism and is simply clicked into place as a complete unit in the suspension profile.




Height adjustment and fine adjustment

HAWA-Junior 80/B (mod.) accommodates large structural tolerances of up to ± 7 mm ($\frac{9}{32}$ "). Coarse adjustment via the trolley takes up to ± 3 mm ($\frac{1}{8}$ "). Fine adjustments up to ± 4 mm ($\frac{5}{32}$ ") are made via the adjustment mechanism in the suspension unit.



Simple fine adjustment from the leading edge.


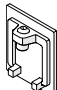
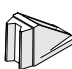
Track stop for HAWA-Junior 80

| | | code |
|---|--|-------|
|  | Track stop, adjustable retaining force | 24497 |

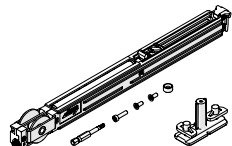
Track stop for HAWA-Junior 80

The new track stop for all HAWA-Junior 80 systems is very easy to install and adjust. Its shape makes jamming during installation impossible. The integrated cover cap discreetly covers the screws after the retaining force has been set.

Accessories

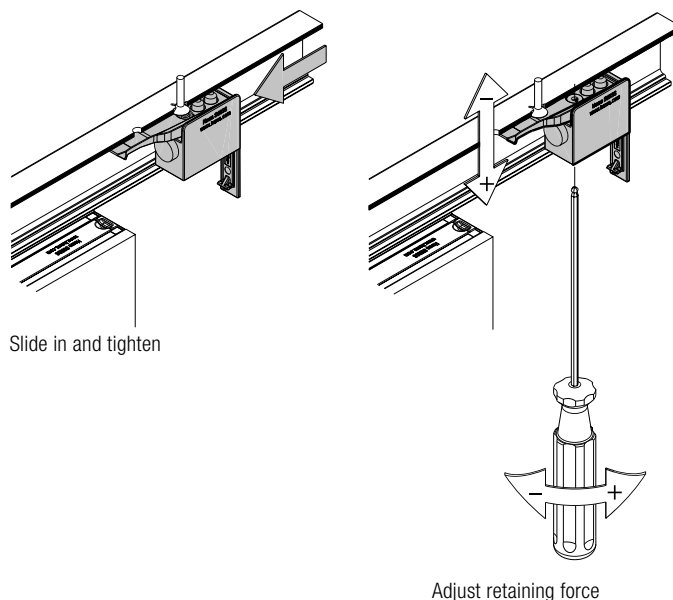
| Caution: Minor differences in colour are possible | | code | |
|---|--|------------------------|-------|
|  | Guide profile, plastic black, 1300 mm (4'3 $\frac{3}{8}$ "), groove mounted, set of 10 pieces | 14540 | |
|  | Cover cap for top track, metal, suitable to both sides, 1 piece | dull chromium finish | 24956 |
| | | stainless steel effect | 24957 |
|  | Bottom door stop with centering assembly | dull chromium finish | 20773 |
| | | stainless steel effect | 21473 |

Soft closing mechanism SoftMove 80 for HAWA-Junior 80

| | | code |
|--|--|-------|
|  | Soft closing mechanism SoftMove 80 for HAWA-Junior 80 (details: → page 70) | 22444 |

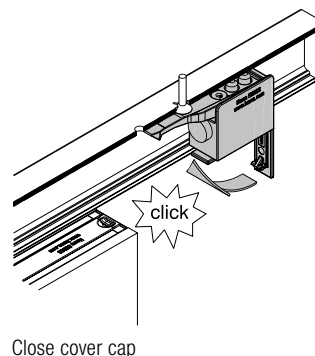
Fitting sets for HAWA-Adapto 80

| | mm/inch | code |
|---|--|-------|
| Fitting sets for HAWA-Adapto 80 with countersunk screws | to 2500 (8'2 $\frac{7}{16}$ ") | 22841 |
| The inset profile system HAWA-Adapto allows HAWA-Junior 80 top tracks to be embedded in concrete ceilings. Details: → page 72 | 2501 to 4000 (8'2 $\frac{13}{32}$ " to 13'1 $\frac{1}{2}$ ") | 22842 |
| | 4001 bis 6000 (13'1 $\frac{17}{32}$ " to 19'8 $\frac{7}{32}$ ") | 22843 |



Slide in and tighten

Adjust retaining force



Close cover cap

Planning/installation

For planning and execution please use the installation instructions code 24484 – HAWA-Junior 80/B (mod.) and code 24924 – HAWA-Junior 80/B (mod.) with longer hanger bolt. (→ www.hawa.ch → HAWA-Productfinder)

For convenient operation of sliding doors with soft closing mechanisms, use protruding handles instead of shell handles.

HAWA-Junior hardware may also be used for glass or metal sliding doors. Please request the corresponding documentation.

Accessories

Accessories: → from page 70

Order specifications

- Type and quantity of sets
- Type, quantity and length of top track
- Quantity of bottom guide channel

Optional order specifications

- Type and quantity of bottom door stop
- Quantity of cover caps for top track
- Quantity of soft closing mechanism SoftMove 80 for HAWA-Junior 80
- Type and quantity of assembly sets for HAWA-Adapto 80