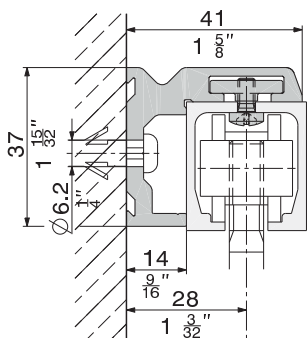


Side-fixing angled profile HAWA-Junior 40/80/120 wood.

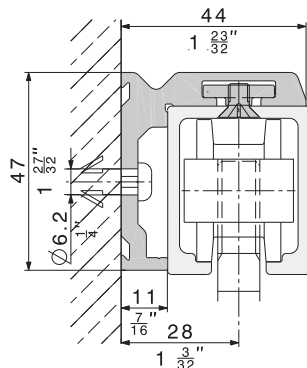
HAWA-Junior 40

Max. door thickness 42 mm (1 $\frac{21}{32}$ ")



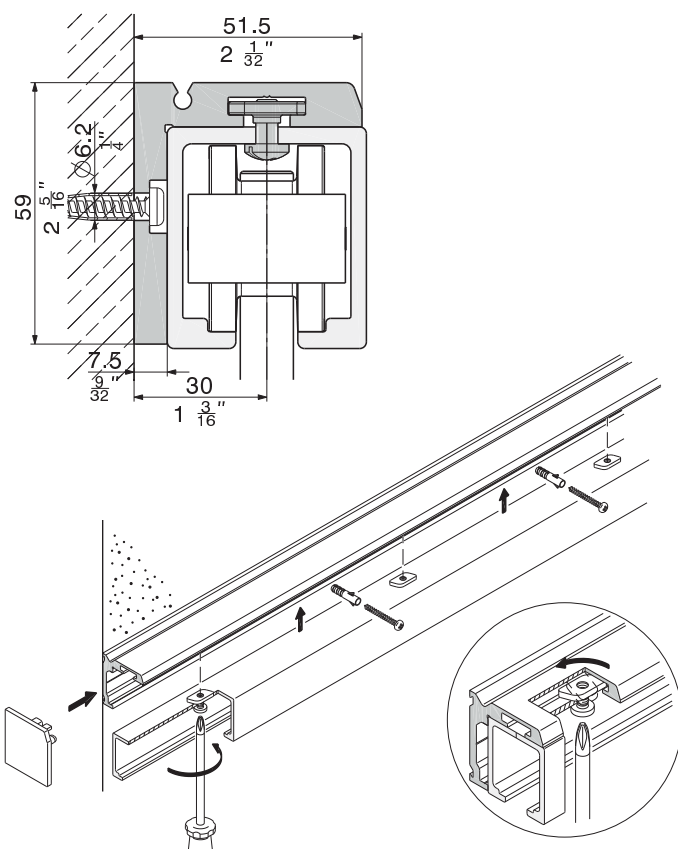
HAWA-Junior 80

Max. door thickness 42 mm (1 $\frac{21}{32}$ ")



HAWA-Junior 120

Max. door thickness 45 mm (1 $\frac{25}{32}$ ")



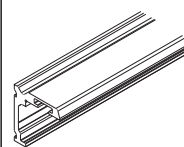

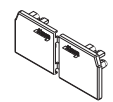
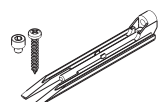
Description

The clever wall mounting with the new angle profile for HAWA-Junior tracks, door weight up to 120 kg (264 lbs.).

Features of the side-fixing angled profile

- Permits top-quality design without cover-blinds
- Groove nuts clamp tracks rapidly and simply
- Convenient levelling thanks to continuous angle profile

Accessories to side-fixing angled profile

Caution: Hole positions vary.		mm/inch	code
	HAWA-Junior 40, side-fixing angled profile, alu, plain anodized, predrilled	2000 (6'6 $\frac{47}{64}$ ")	18404
		4000 (13'1 $\frac{31}{64}$ ")	18636
		6000 (19'8 $\frac{7}{32}$ ")	18403
		cut to size	18405
	HAWA-Junior 80, side-fixing angled profile, alu, plain anodized, predrilled	2500 (8'2 $\frac{27}{64}$ ")	18407
		4000 (13'1 $\frac{31}{64}$ ")	18637
		6000 (19'8 $\frac{7}{32}$ ")	18406
		cut to size	18408
	HAWA-Junior 120, side-fixing angled profile, alu, plain anodized, predrilled	4000 (13'1 $\frac{31}{64}$ ")	18877
6000 (19'8 $\frac{7}{32}$ ")		18876	
cut to size		18878	
	Fitting set for side fixing, 10 pieces, for top track length up to 2000 mm (6'6 $\frac{47}{64}$ ")	HAWA-Junior 40	17785
	Fitting set for side fixing, 10 pieces, for top track length up to 2500 mm (8'2 $\frac{27}{64}$ ")	HAWA-Junior 80	17786
	Fitting set for side fixing, 20 pieces, for top track length up to 6000 mm (19'8 $\frac{7}{32}$ ")	HAWA-Junior 120	19041
	Cover plate for side-fixing angled profile, anthracite-grey RAL 7016, 1 pair	HAWA-Junior 40	21502
		HAWA-Junior 80	21503
		HAWA-Junior 120	20049
	HAWA-Assembly wedge for sliding doors running in the ceiling, set for 1 sliding door.	HAWA-Junior 80 HAWA-Junior 120	15770