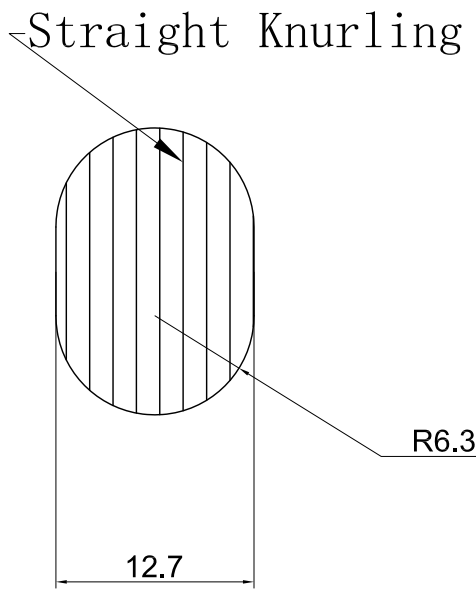
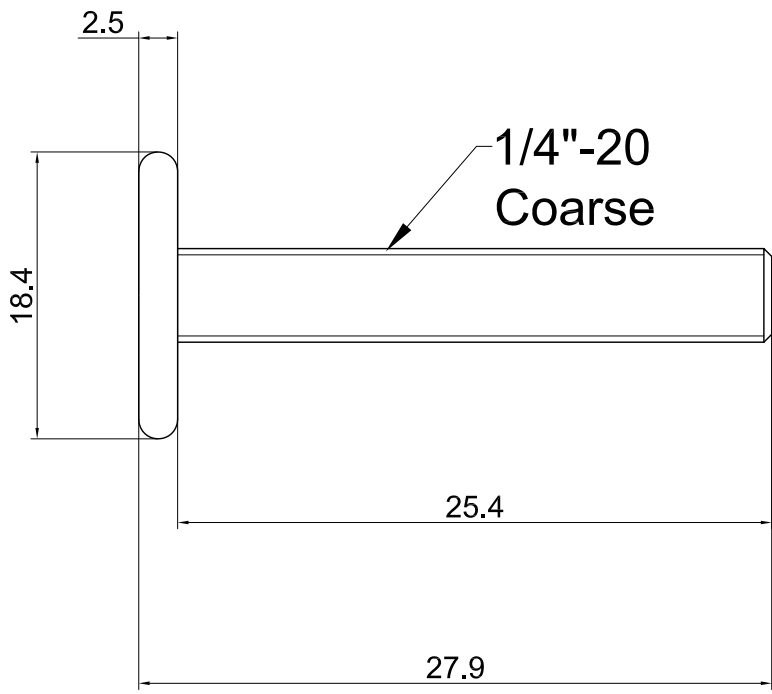


REVISIONS	
DATE	DESCRIPTION



DIMENSIONS ARE IN mm

TOLERANCES

FRACTIONAL ±

ANGULAR: MACH BEND ±

ONE PLACE DECIMAL ±

TWO PLACE DECIMAL ±

MATERIAL:

FINISH:

WEIGHT (GR):

RICHELIEU HARDWARE		
ITEM # TB001		
1" T Bolt		
SIZE	DWG. NO.	
A		
DATE	REV.	SHEET 1 OF 1
2021.01.19		