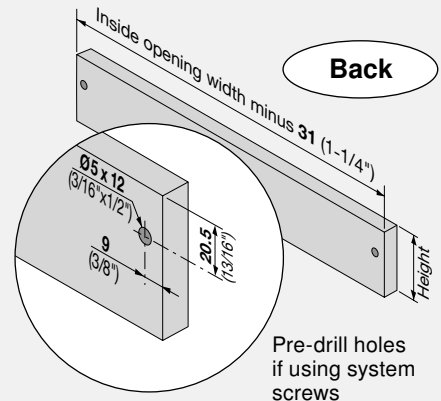
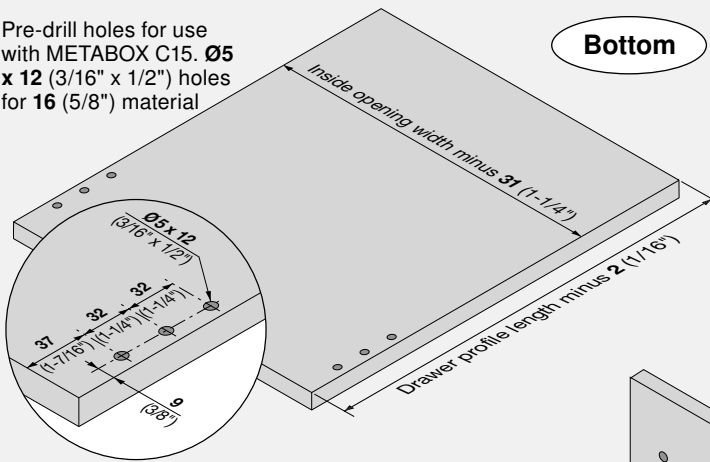


Version: 05-2005

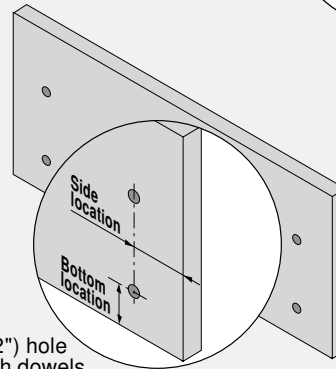
Component specifications

Pre-drill holes for use with METABOX C15. $\varnothing 5 \times 12$ ($3/16" \times 1/2"$) holes for 16 (5/8") material



Profile length	Bottom length
550 (21-5/8")	548 (21-9/16")
500 (19-11/16")	498 (19-5/8")
450 (17-11/16")	448 (17-5/8")
400 (15-3/4")	398 (15-11/16")
350 (13-3/4")	348 (13-11/16")
270 (10-5/8")	268 (10-9/16")

Front



Drill $\varnothing 10 \times 12$ ($\varnothing 3/8" \times 1/2"$) hole for front fixing brackets with dowels
(Determine locations from specifications below)

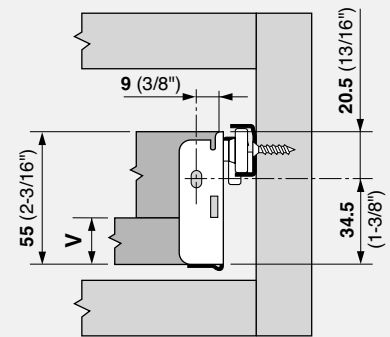
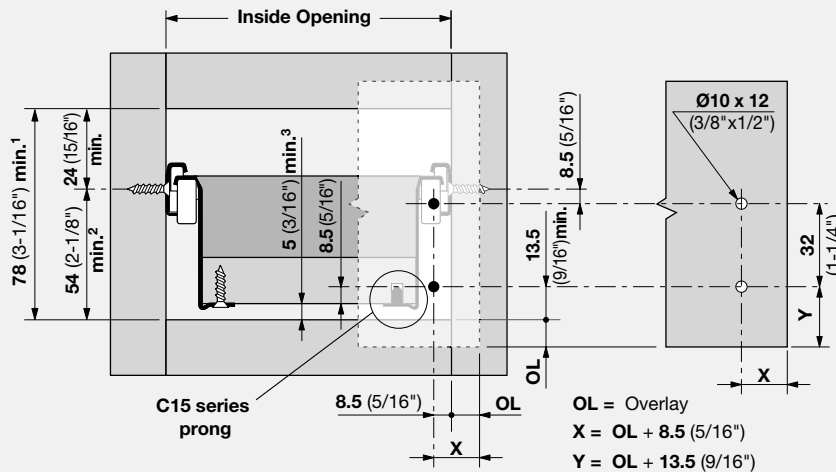
Material thickness	Back height
13 (1/2")	42 (1-5/8")
16 (5/8")	39 (1-9/16")
19 (3/4")	36 (1-7/16")

Installation specifications

Drawer

Front

Back



V = Variable bottom thickness minimum 13(1/2") material