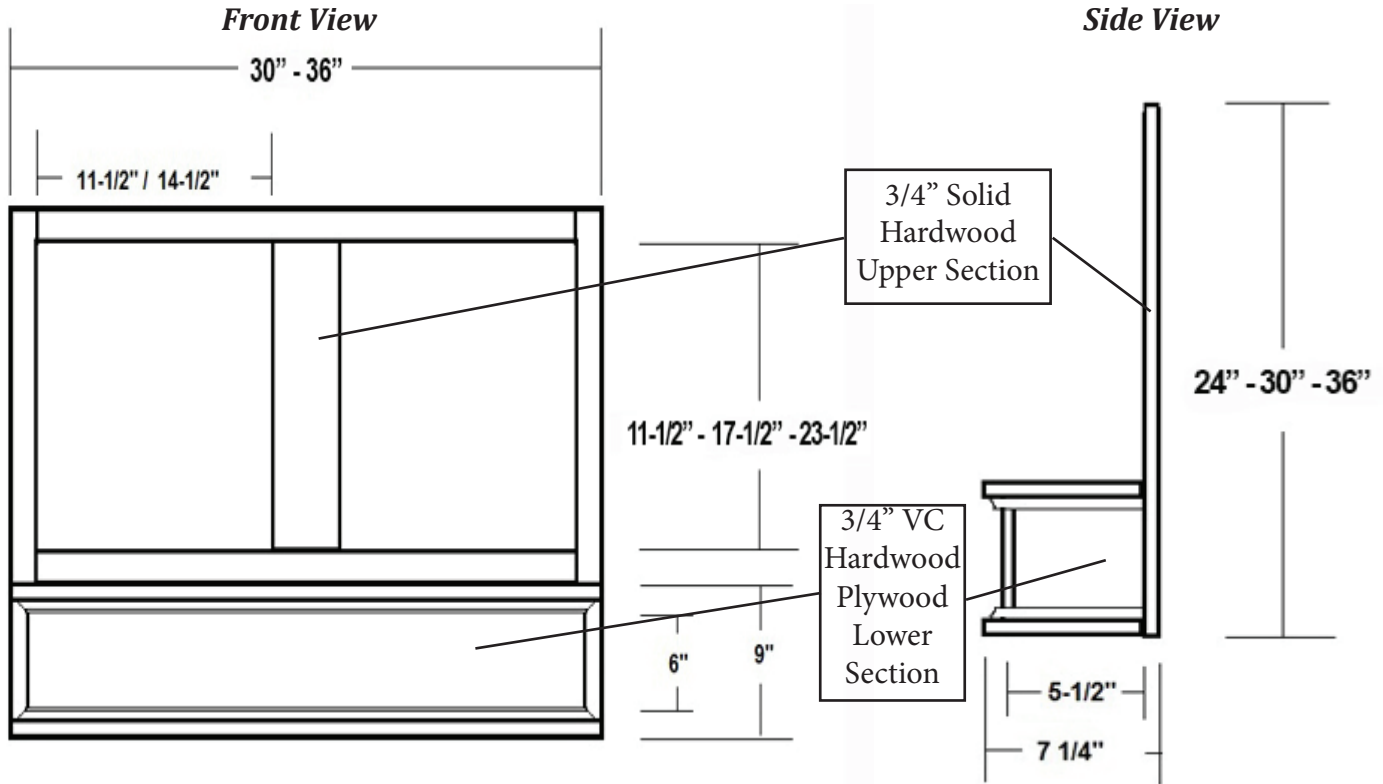
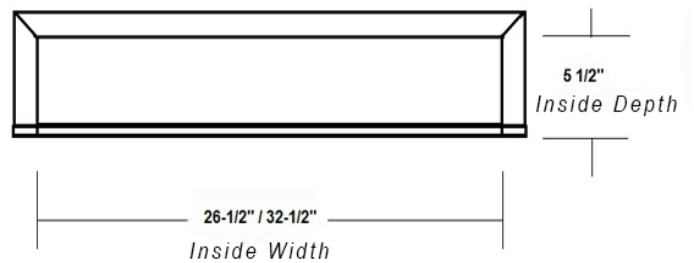


Mantel Style Range Hood Front



Item #	Dimensions (h) x (w) x (d)	Liner
SYJSVHF3024	24" x 30" x 7-1/4"	SYHLT30
SYJSVHF3030	30" x 30" x 7-1/4"	SYHLT30
SYJSVHF3036	36" x 30" x 7-1/4"	SYHLT30
SYJSVHF3624	24" x 36" x 7-1/4"	SYHLT36
SYJSVHF3630	30" x 36" x 7-1/4"	SYHLT36
SYJSVHF3636	36" x 36" x 7-1/4"	SYHLT36



- Hardwood Plywood and Solid Lumber Construction
- Internal bracing with cleats, glue and pocket screws
- Accepts SYHLT series T-shape Powder Coated Steel Liners (*sold separately*)
- Select from 250, or 390 CFM Broan Ventilation power packs (*sold separately*)
- Available in Cherry, Hickory, Maple and Red Oak
- Must be mounted between two wall cabinets
- Base section will accommodate ornaments up to 5" x 24"