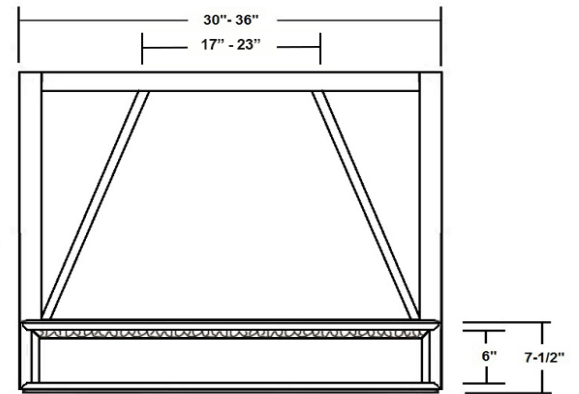
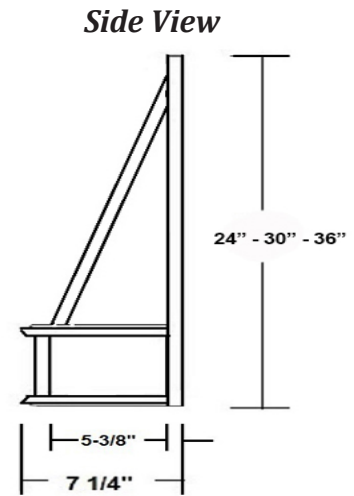
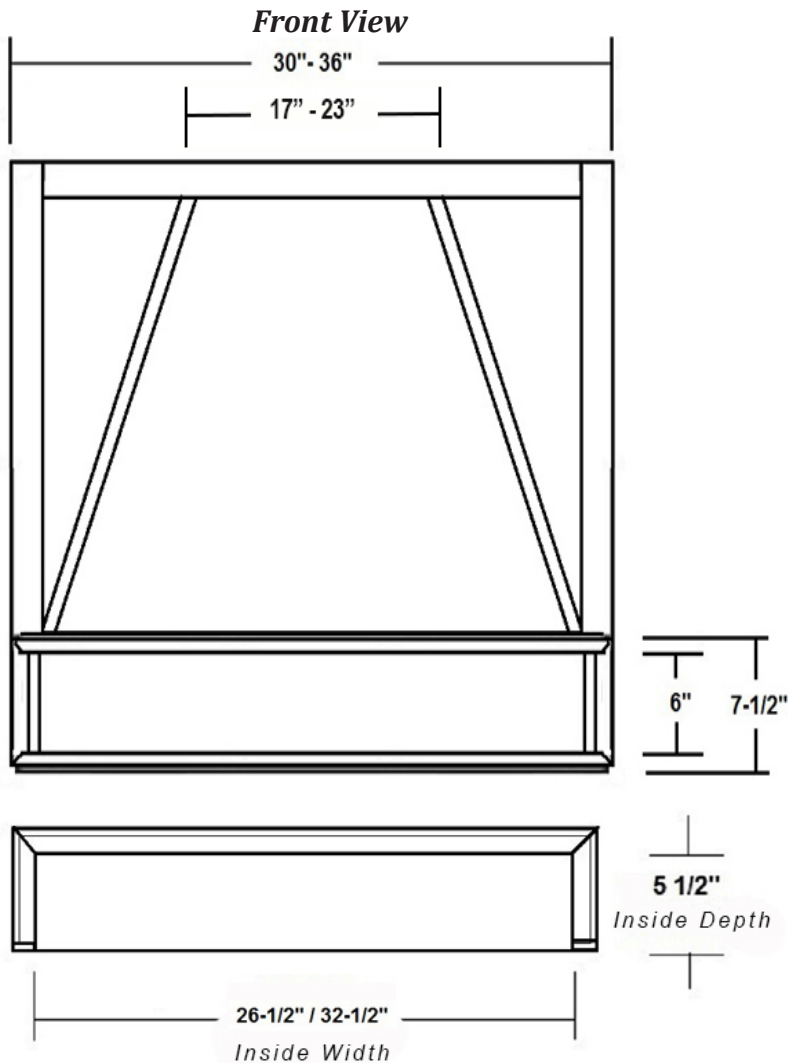
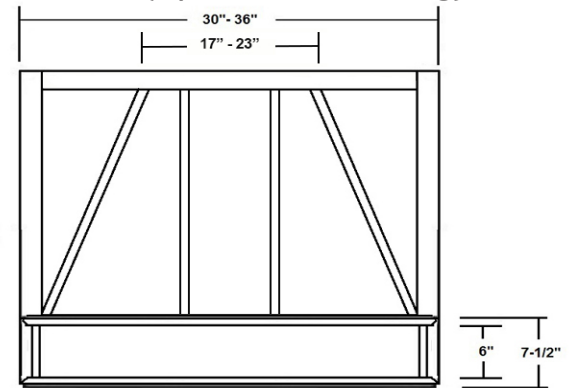


Chimney Style Range Hood Front



SY-JACHF (w/Acanthus molding)



SY-JCHGHF (w/slats)

Item #	Dimensions (h) x (w) x (d)	Liner
SYJCHF3024	24" x 30" x 7-1/4"	SYHLT30
SYJCHF3030	30" x 30" x 7-1/4"	SYHLT30
SYJCHF3036	36" x 30" x 7-1/4"	SYHLT30
SYJCHF3624	24" x 36" x 7-1/4"	SYHLT36
SYJCHF3630	30" x 36" x 7-1/4"	SYHLT36
SYJCHF3636	36" x 36" x 7-1/4"	SYHLT36

- Hardwood Plywood and Solid Lumber Construction
- Accepts SY-HLT series T-shape Powder Coated Steel Liners (sold separately)
- Select from 250, 390 and 500 CFM Broan Ventilation power packs (sold separately) or
- Ascension 350SL, 350SS and 500SS CFM Ventilation power packs (sold separately)
- Available in Alder, Cherry, Hickory, Maple and Red Oak
- Must be mounted between two wall cabinets
- Optional Acanthus molding available (SYJACHF)
- Optional vertical molding strip package available (SYJCHGHF)