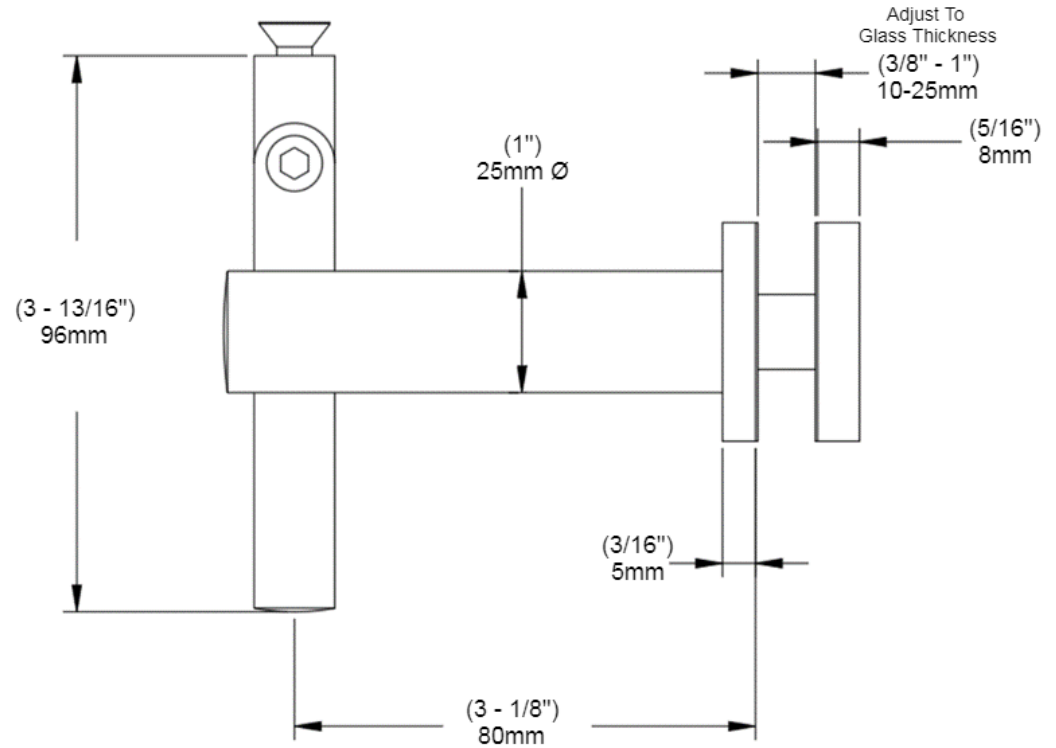
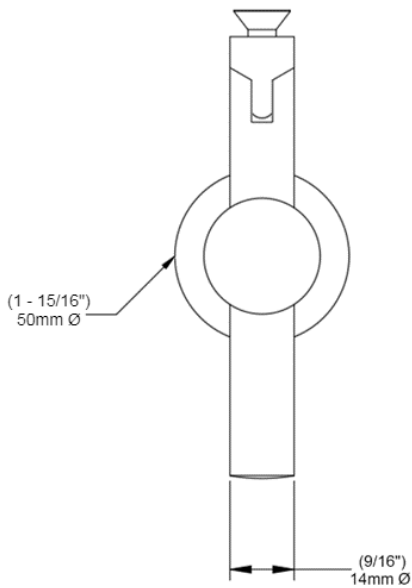


Glass Mount Height & Angle Adjustable Bracket

Code No.: SSGS0010016170

- For Glass 10 - 25mm (3/8" - 1")
- Hole Fabrication 16-19mm (5/8" - 3/4")



Code No.: SSGS0010016170

- Pour verre 10 - 25mm (3/8" - 1")
- Fabrication de trou 16-19mm (5/8" - 3/4")

