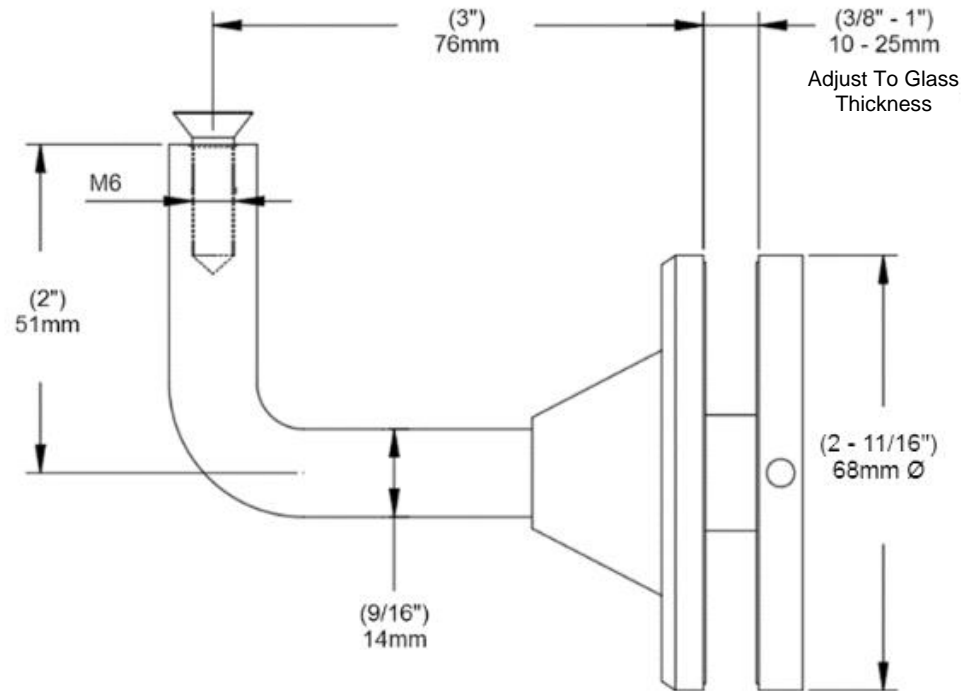
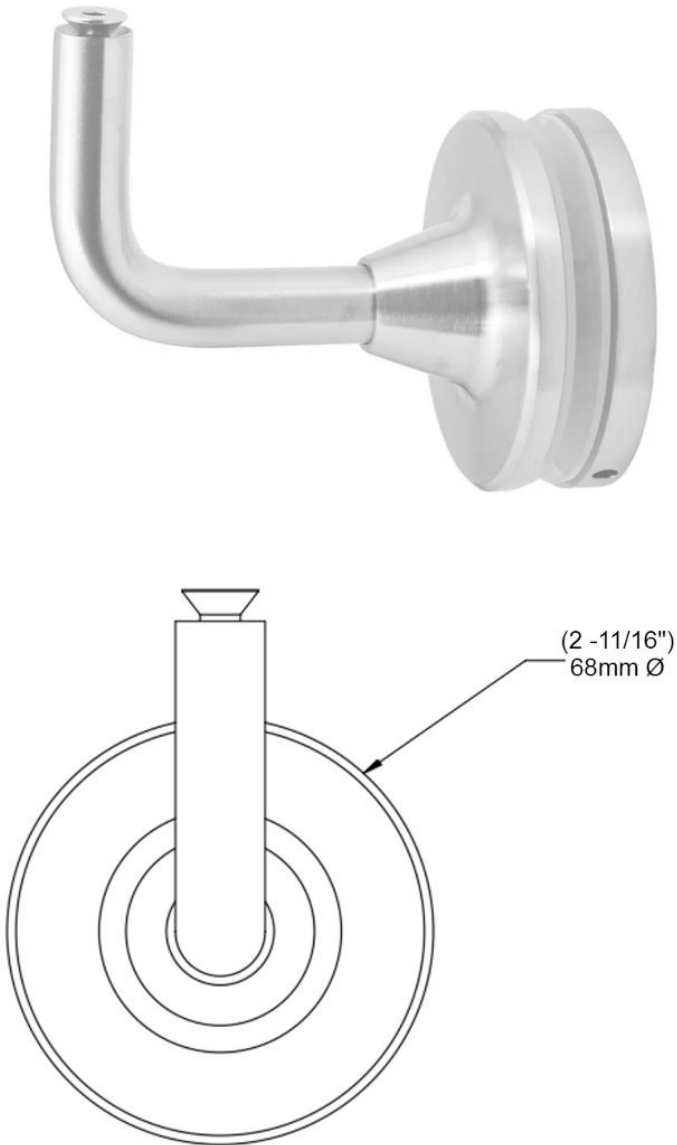


Code No.: SSGF12GM16170

- For Glass 10 - 25mm (3/8" - 1")
- Hole Fabrication 19mm (3/4")



Code No.: SSGF12GM16170

- Pour verre 10 - 25mm (3/8" - 1")
- Fabrication de trou 19mm (3/4")

