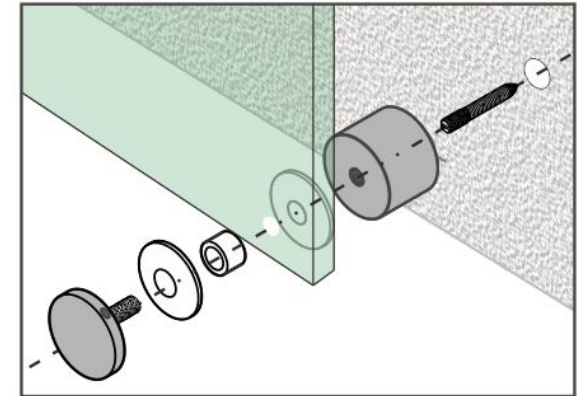
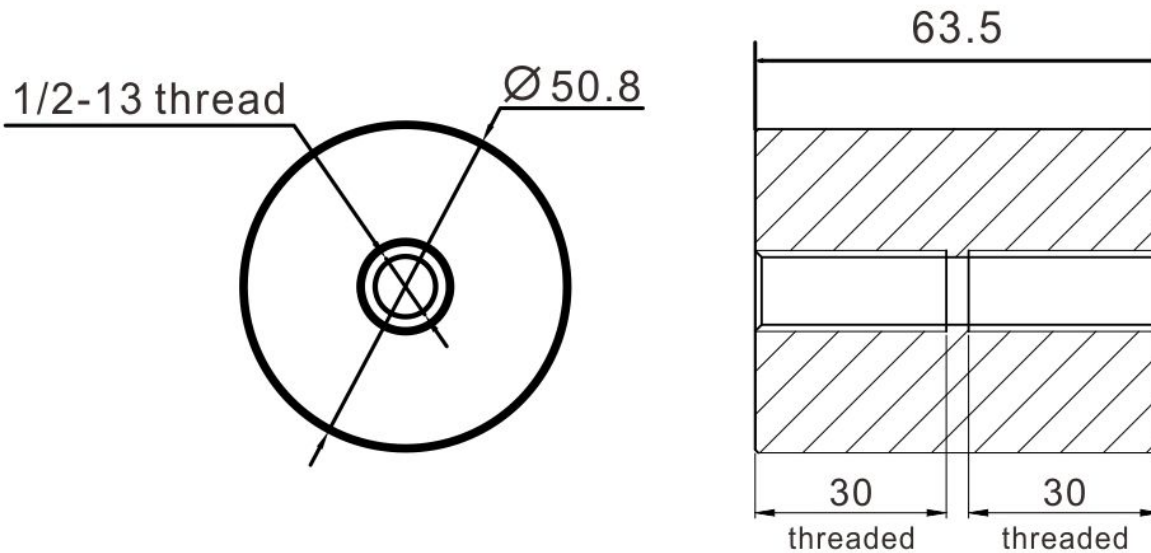


# 2" Standoff Base with 1/2-13 Thread

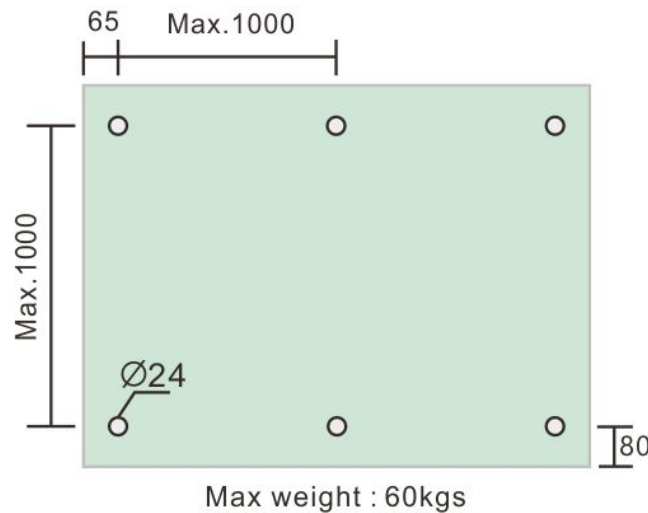
Code No.:SBA200250XXX



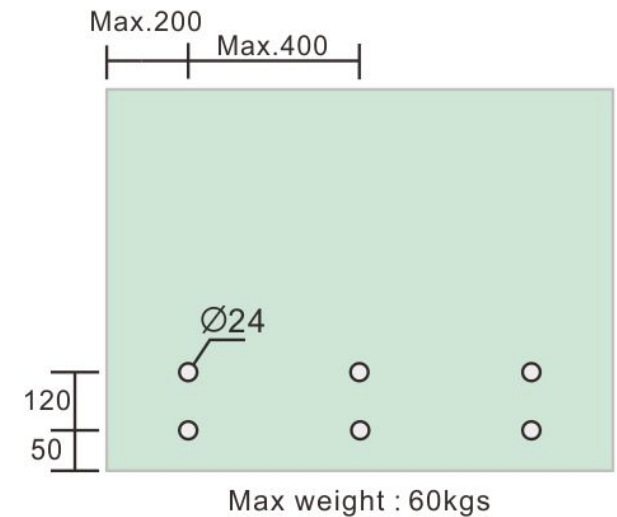
- \* Mounting hardware and standoff cap sold separately
- \* Stainless steel 316
- \* See online for available finishes

## Suggested Layout:

Option 1



Option 2



\* Actual weight capacity depends on mounting hardware and substrate material.