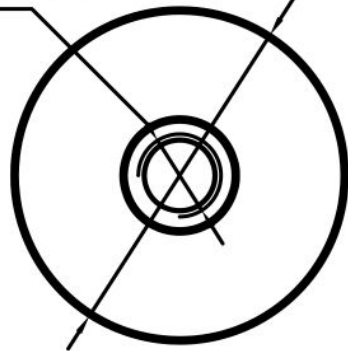


# 1-1/4" Standoff Base with 5/16-18 Thread

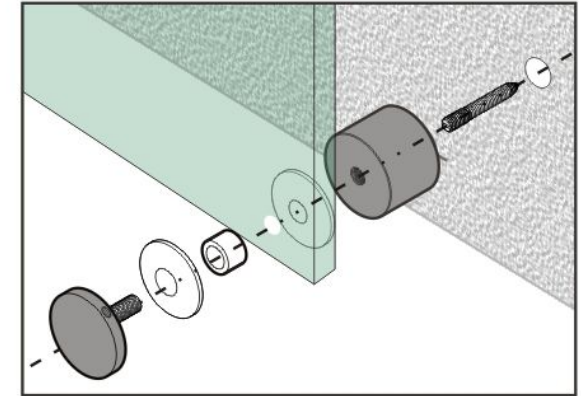
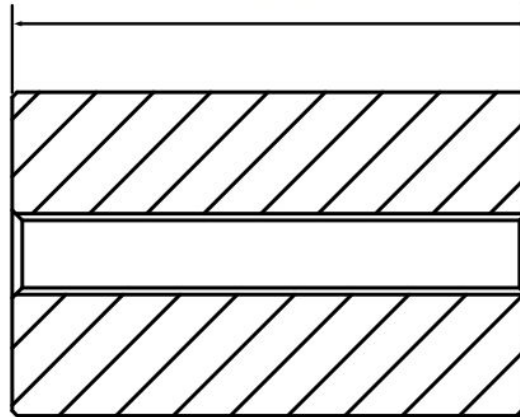
Code No.: SB125200XXX

5/16-18 thread

Ø 31.75



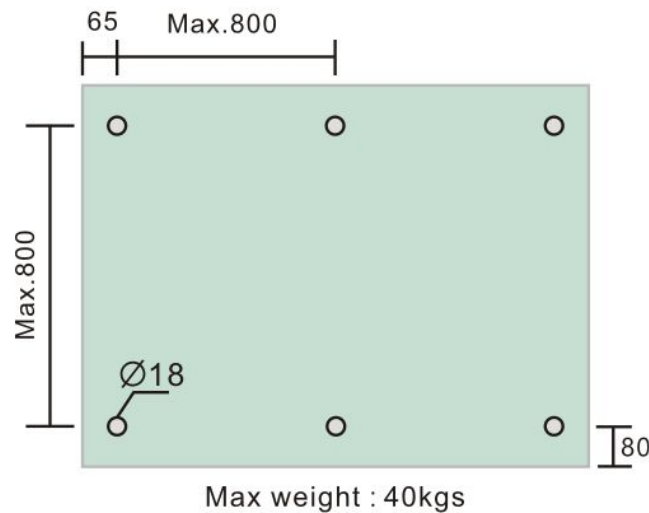
50.8



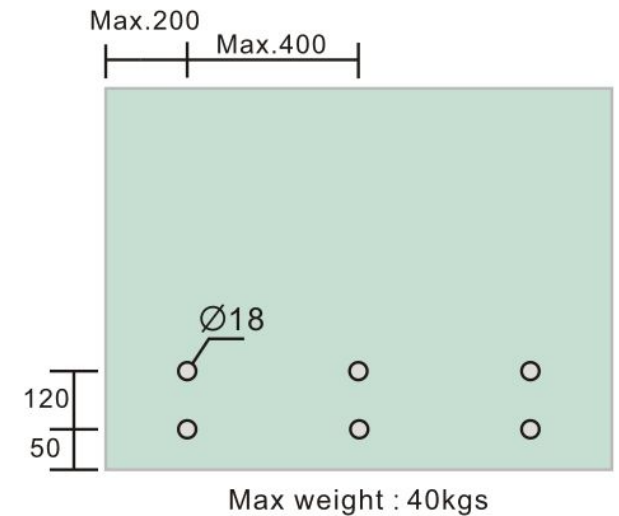
- \* Mounting hardware and standoff cap sold separately
- \* Stainless steel 316
- \* See online for available finishes

## Suggested Layout:

Option 1



Option 2



\* Actual weight capacity depends on mounting hardware and substrate material.