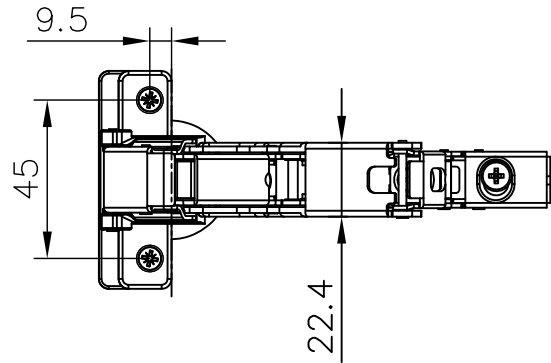
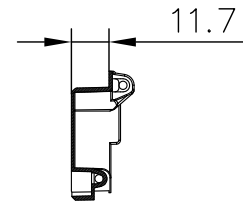
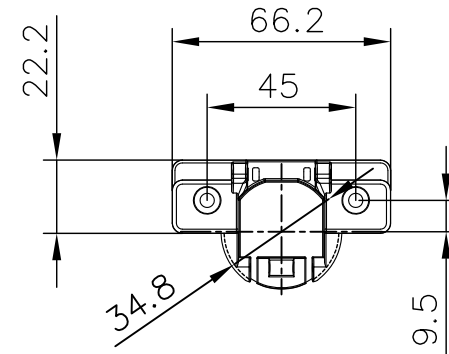
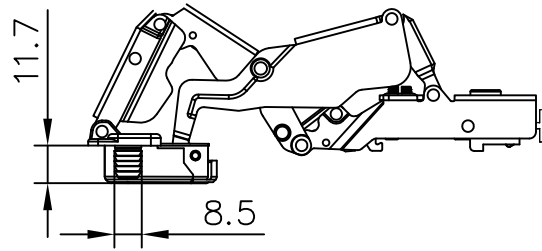


D = Overlay
 K = Drilling setback
 H = Plate height
 L = Door gap

$$H = 12 + K - D$$

D/K	3	4	5	6	7
0	15	16	17	18	19
2	13	14	15	16	17
4	11	12	13	14	15



		Richelieu Hardware		
		HINGE 165D SOFT FULL OVERLAY DOWEL #RCS322650048		
Release	2022.05.12			
Rev.	Date			
		SIZE	DWG.NO.	REV.
		DO NOT SCALE DRAWING		SHEET 1 OF 1