

Instruction - RCS3226500xx 165D Full Overlay Hinges

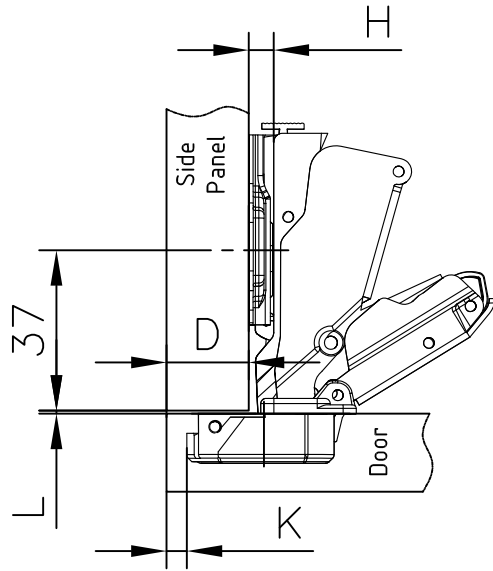


Overlay Factory Setting

K = Drilling setback
H = Plate height

D = Overlay
L = Door gap

Unit: mm

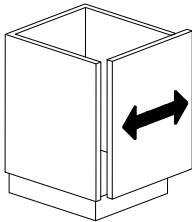


$L = 1.5$ (when plate setback at 37)

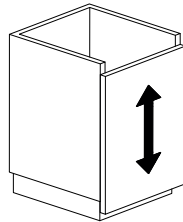
$H = 12 + K - D$

$\begin{matrix} D \\ K \end{matrix}$	3	4	5	6	7
0	15	16	17	18	19
2	13	14	15	16	17
4	11	12	13	14	15

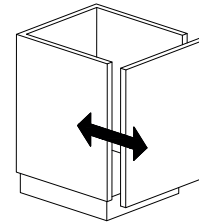
Adjustments



[-3, +2.5]



[-2, +2]



[-2, +2]

Door Drilling

