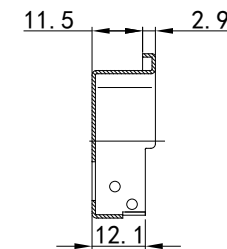
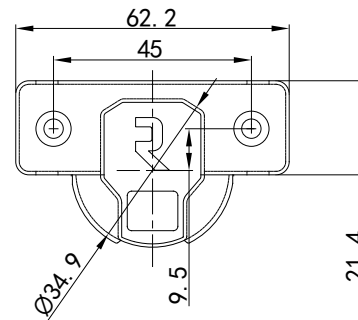
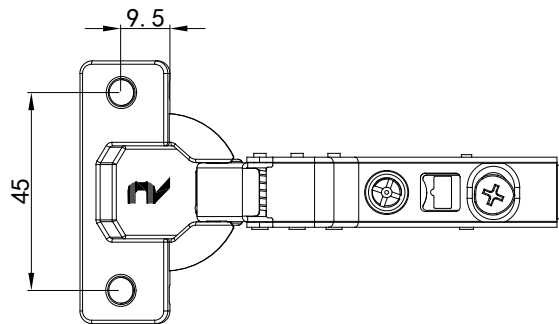



A = Reveal
 K = Drilling setback
 H = Plate height
 T = Door thickness

$H = -5 + K + A$

| A/K | 3 | 4 | 5 | 6 | 7 |
|-----|---|---|---|---|---|
| 0 | 2 | 1 | 0 | | |
| 2 | 4 | 3 | 2 | 1 | 0 |
| 4 | 6 | 5 | 4 | 3 | 2 |



| | | | | |
|---|------------|--|---------|--------------|
| | | Richelieu Hardware | | |
| | | HINGE 105D SOFT IN DOW PS2-2WC #RCS32201748 | | |
| Release | 2019.11.24 | | | |
| Rev. | Date | SIZE | DWG.NO. | REV. |
|  | | DO NOT SCALE DRAWING | | SHEET 1 OF 1 |