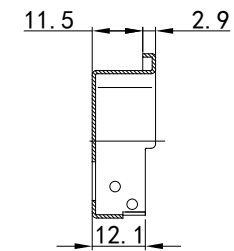
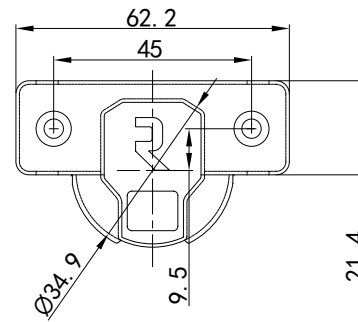
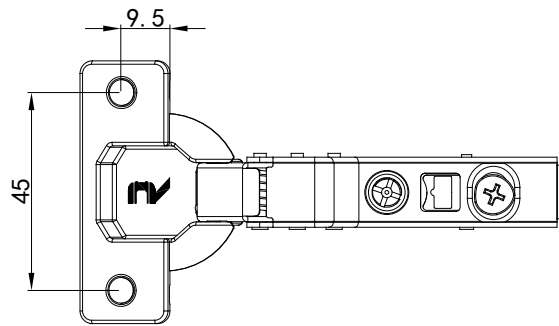



A = Reveal
 K = Drilling setback
 H = Plate height
 T = Door thickness

$H = -5 + K + A$

A \ K	3	4	5	6	7
0	2	1	0		
2	4	3	2	1	0
4	6	5	4	3	2



		Richelieu Hardware		
		HINGE 105D SOFT IN SCR PS2-2WC #RCS32201740		
Release	2019.11.24			
Rev.	Date	SIZE	DWG.NO.	REV.
		DO NOT SCALE DRAWING		SHEET 1 OF 1