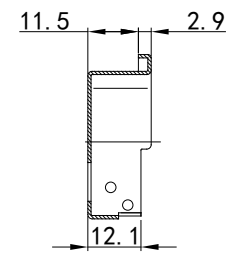
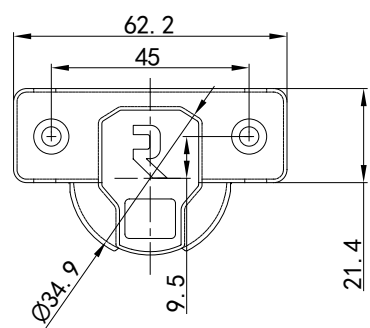
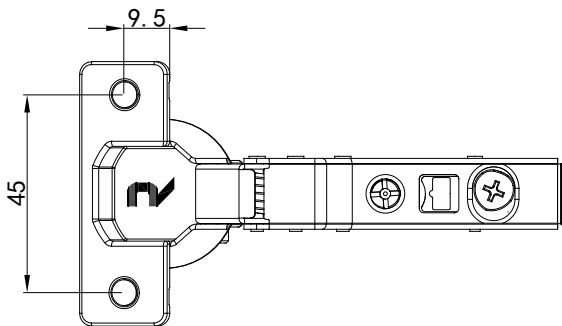



D = Overlay
 K = Drilling setback
 H = Plate height

$H = 3.5 + K - D$

D \ K	3	4	5	6	7
0	6.5	7.5	8.5	9.5	10.5
2	4.5	5.5	6.5	7.5	8.5
4	2.5	3.5	4.5	5.5	6.5



		Richelieu Hardware		
		HING 105D SELF HO SCR PS2-2WC #RCS32200950		
Release	2019.11.24	SIZE		REV.
Rev.	Date	DWG.NO.		
		DO NOT SCALE DRAWING		SHEET 1 OF 1