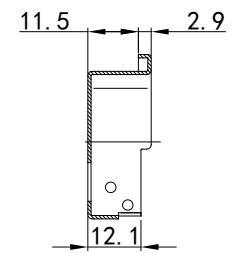
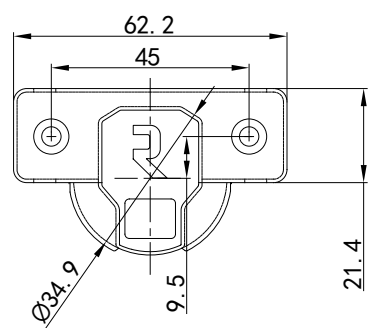
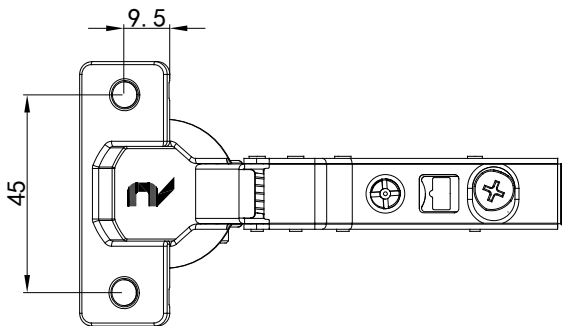



D = Overlay
 K = Drilling setback
 H = Plate height

$H = 3.5 + K - D$

| D \ K | 3 | 4 | 5 | 6 | 7 |
|-------|-----|-----|-----|-----|------|
| 0 | 6.5 | 7.5 | 8.5 | 9.5 | 10.5 |
| 2 | 4.5 | 5.5 | 6.5 | 7.5 | 8.5 |
| 4 | 2.5 | 3.5 | 4.5 | 5.5 | 6.5 |



| | | | | |
|---|------------|--|--|--------------|
| | | Richelieu Hardware | | |
| | | HINGe 105D SOFT HO SCR PS2-2WC #RCS32200940 | | |
| Release | 2019.11.24 | SIZE | | REV. |
| Rev. | Date | DWG.NO. | | |
|  | | DO NOT SCALE DRAWING | | SHEET 1 OF 1 |