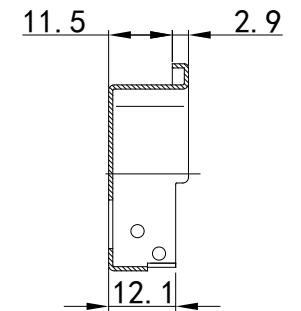
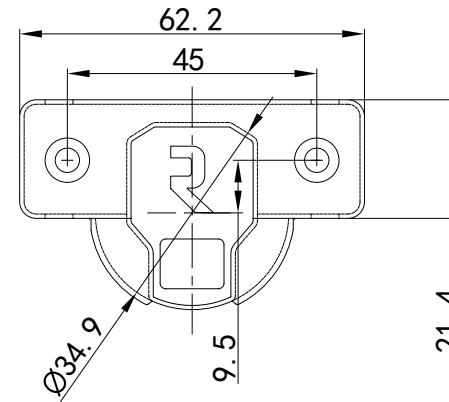
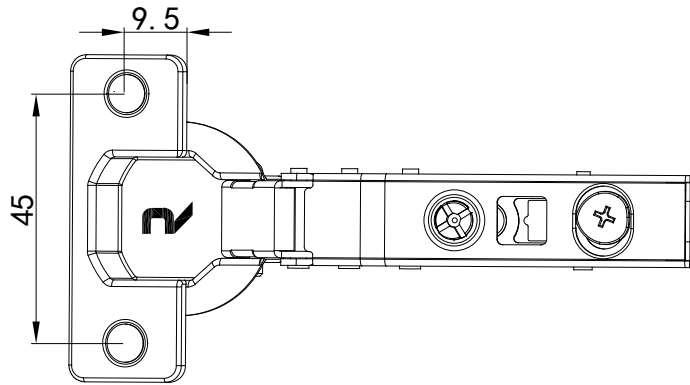


D = Overlay  
 K = Drilling setback  
 H = Plate height

$$H = 12 + K - D$$

D \ K	3	4	5	6	7
0	15	16	17	18	19
2	13	14	15	16	17
4	11	12	13	14	15



		<b>Richelieu Hardware</b>		
		HINGE 105D SELF FO SCR PS2-2WC #RCS32200050		
Release	2019.11.24	SIZE	DWG.NO.	REV.
Rev.	Date	DO NOT SCALE DRAWING		SHEET 1 OF 1

