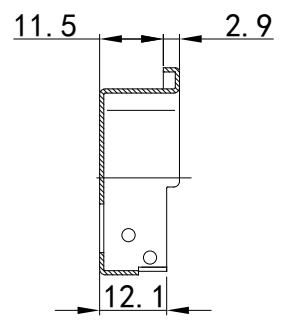
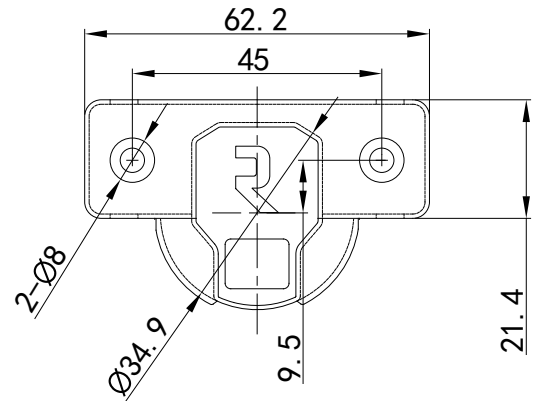
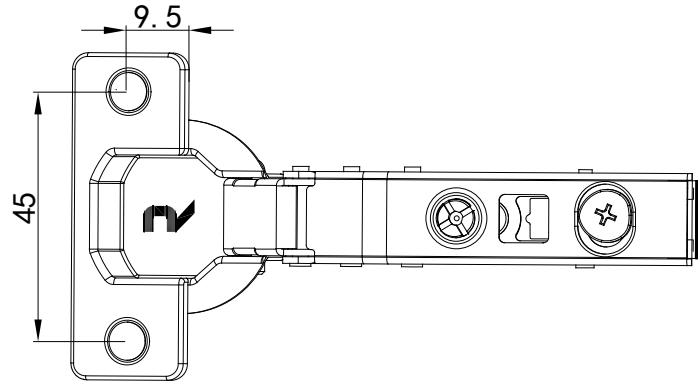



D = Overlay
 K = Drilling setback
 H = Plate height

$H = 12 + K - D$

D \ K	3	4	5	6	7
0	15	16	17	18	19
2	13	14	15	16	17
4	11	12	13	14	15



		Richelieu Hardware		
		HINGE 105D SOFT FO DOW PS2-2WC #RCS32200048		
Release	2019.11.24	SIZE		REV.
Rev.	Date	DWG.NO.		
		DO NOT SCALE DRAWING		SHEET 1 OF 1