

1 2 3 4 5 6 7 8

A

A

B

B

C

C

D

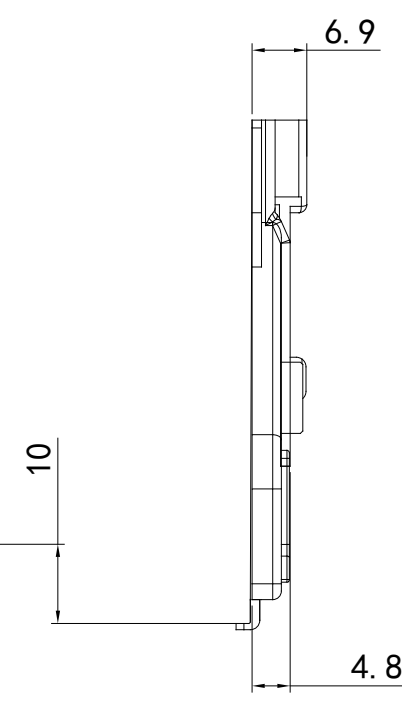
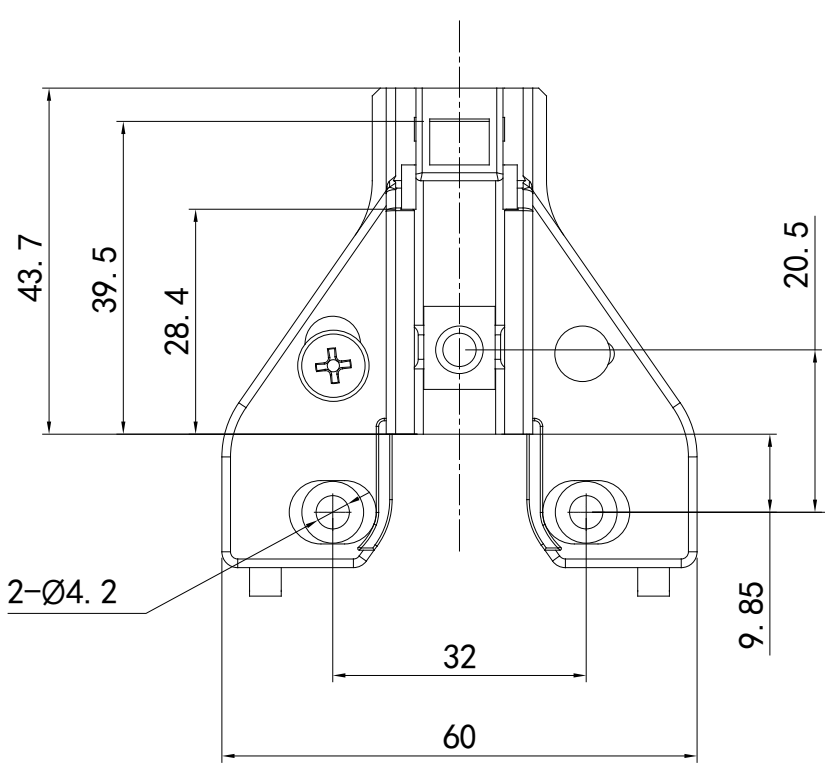
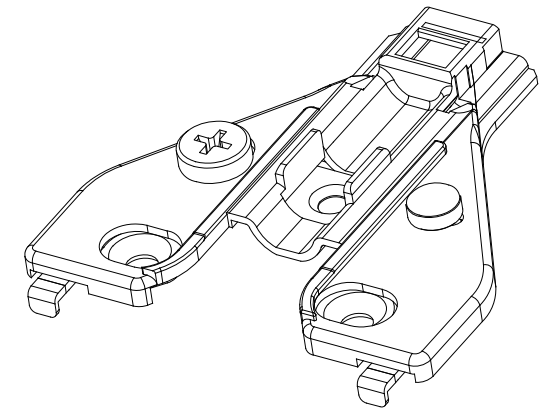
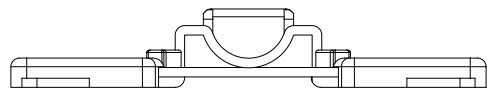
D


E

E

F

F



		Richelieu Hardware		
		PLATE 0MM WD FF EXCENT. ADJ. #RCS00902		
Release	2019.12.05			
Rev.	Date			
		SIZE	DWG.NO.	REV.
		DO NOT SCALE DRAWING		SHEET 1 OF 1

1 2 3 4 5 6 7 8