

# Technical Detail

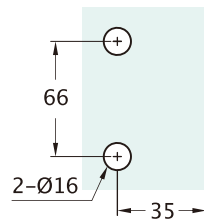
# Adjustable 90° Wall/Post-to-Glass Pool Hinge



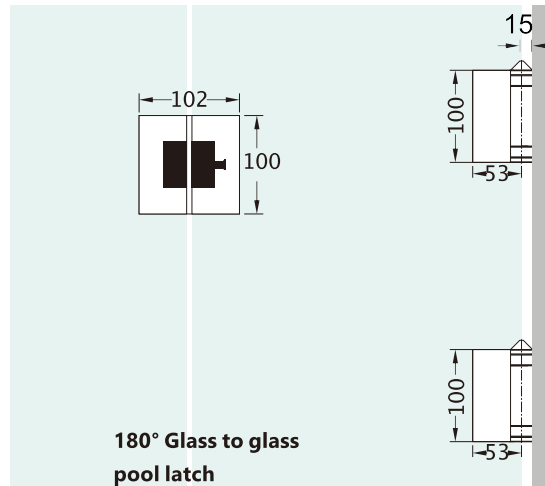
## Right side



## Glass cut out:



## Round post adaptor



### Tools required to install:

Spirit Level, Measuring tape,  
Power drill, Allen key set,  
Philips screwdriver,  
Plastic wedges and  
8 - 10 mm drill bit for stone.

**Please see safety instructions on power drill before starting assembly**

## Installation Instruction

MODEL	Max door width	Max door weight	Glass thickness
PGHSQPG02170	1000mm	40KG	10 - 12mm glass
PGHSQPG02171	1000mm	40KG	10 - 12mm glass

### Finishes

170 = Brushed stainless steel  
171 = Polished stainless steel

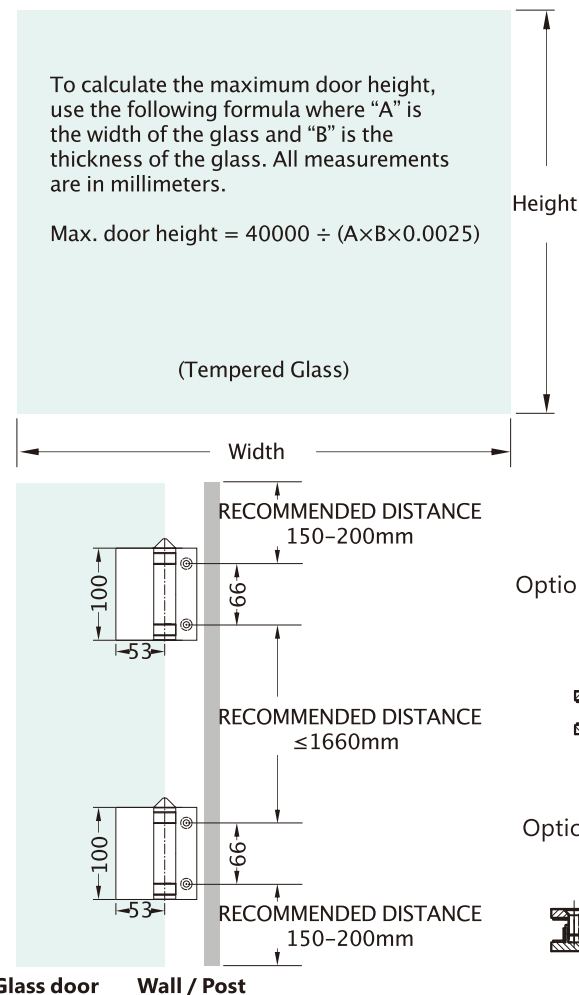
**Step 1.** Ensure all glass panels are made of tempered glass.

**Step 2.** Measure the size and weight of the glass door. Do not exceed the max door width and max door weight.

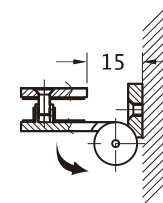
**Step 3.** Prepare the glass as indicated in the template and at the recommended distances.

**Step 4.** Install the hinge to the door as shown in the drawing.

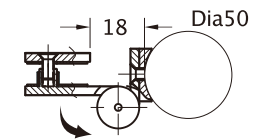
**Step 5.** Finish installing the door and test that it opens and closes properly.



Option 1: Flat wall/Square tube



Option 2: 50mm round tube



**Spring tension adjustment under the conic cap**