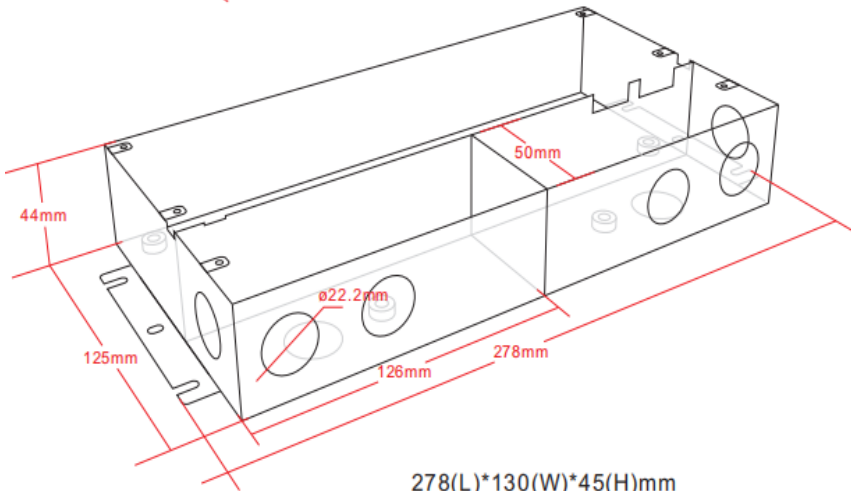
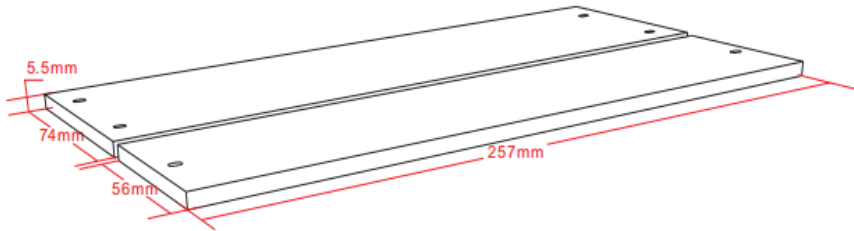


Ref. No.:	DH24296	A/S 400 description:	LED Driver(Non-Dim)
-----------	---------	----------------------	---------------------



278(L)*130(W)*45(H)mm

