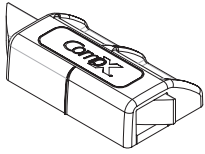
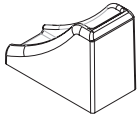
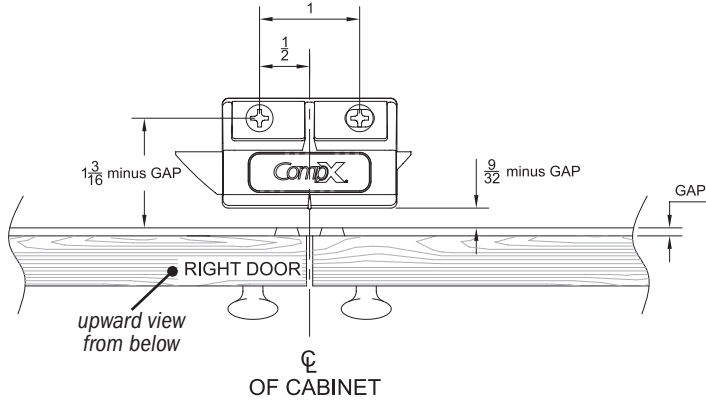


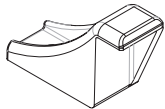
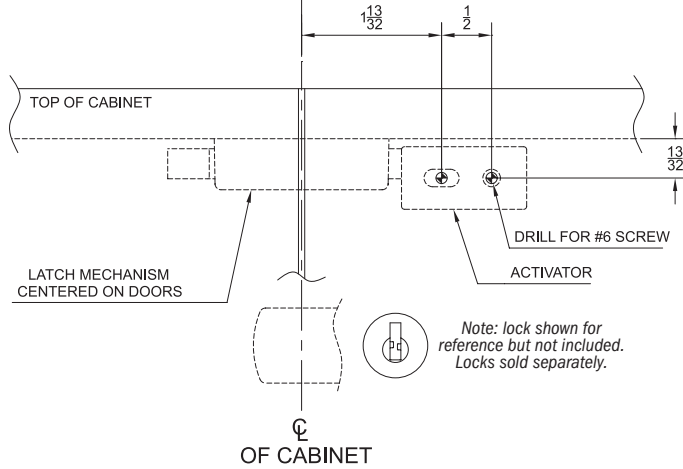
Mounting Instructions: **LOC DL200**
(LOCK ON **RIGHT** / **TOP** MOUNTED)



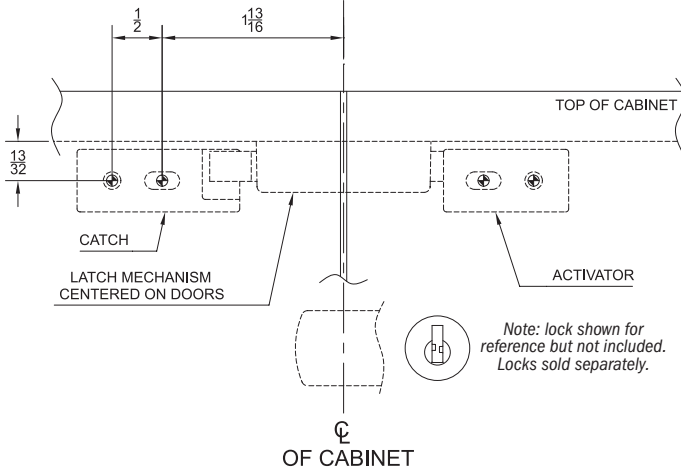
STEP 1
install latch



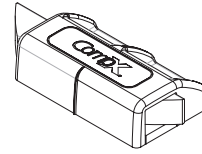
STEP 2
install activator



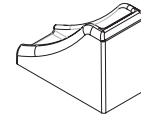
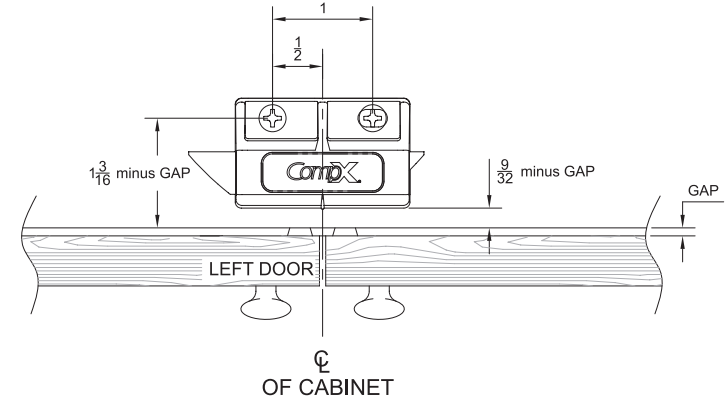
STEP 3
install catch



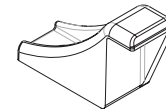
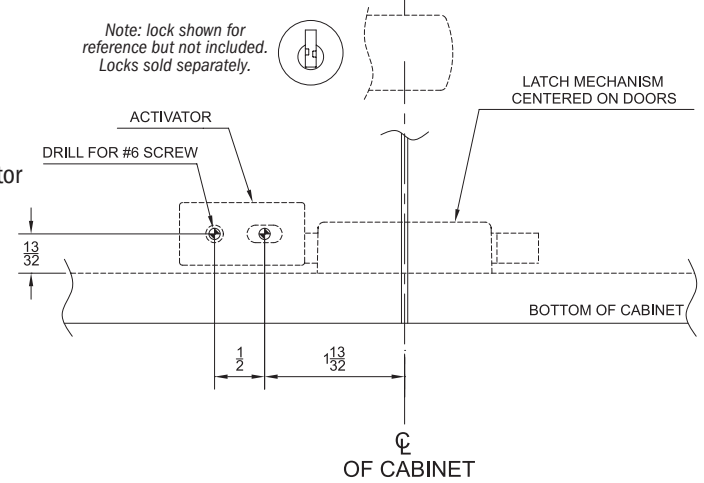
Mounting Instructions: **LOC DL200**
(LOCK ON **LEFT** / **BOTTOM** MOUNTED)



STEP 1
install latch



STEP 2
install activator



STEP 3
install catch

