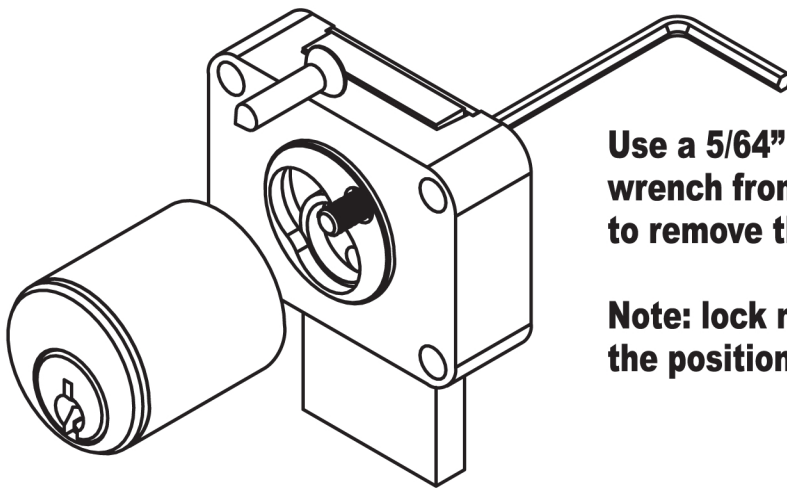
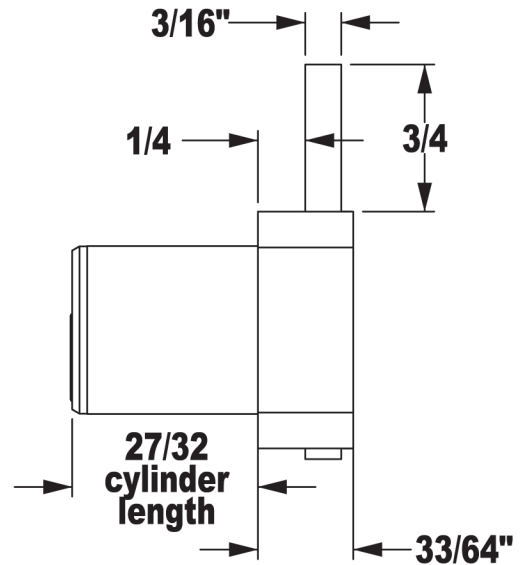
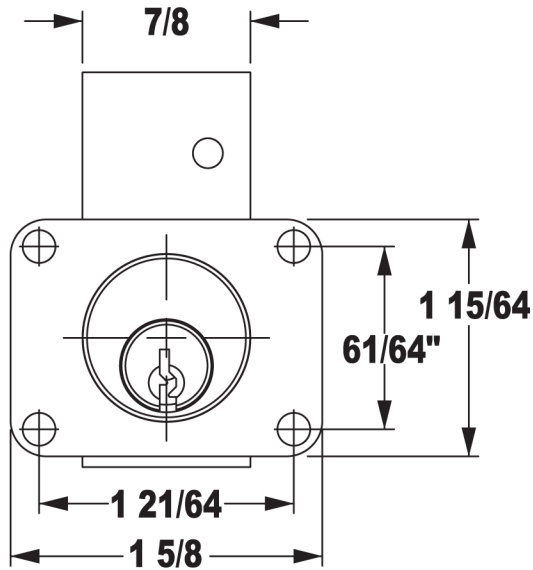


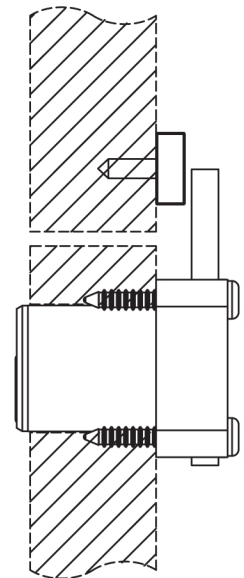
C8178 DRAWER LOCK

- 4 pin tumbler
- brass cylinder



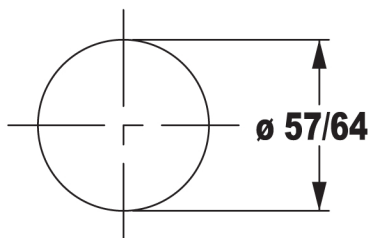
Use a 5/64" Allen wrench from the back to remove the cylinder.

Note: lock must be in the position shown.



Lock is shown in locked position for standard drawer applications.

cylinder mounting hole



Drill 1/16" diameter pilot holes for mounting screws