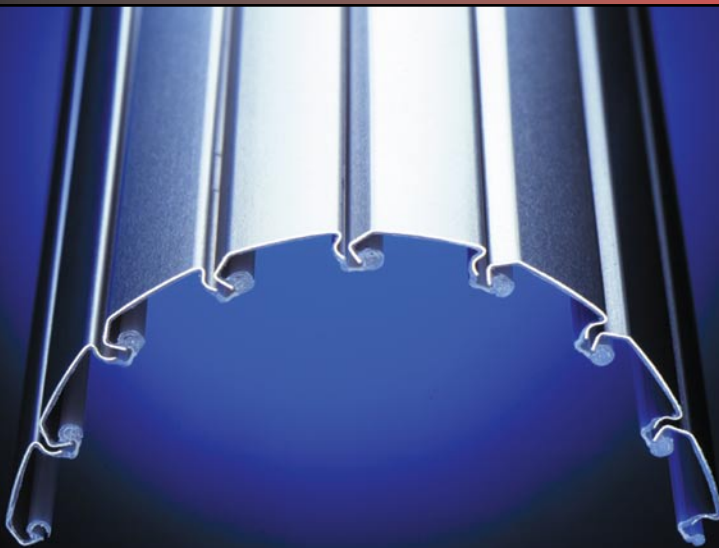


TAMBOUR DOOR KIT IN ALUMINUM OR STAINLESS STEEL FINISH

NEW



OPEN AND STORE!
Ideal for maximizing your storage space while improving your access to your small electrical appliances.



Richelieu

KTAMB08E

ADVANTAGES

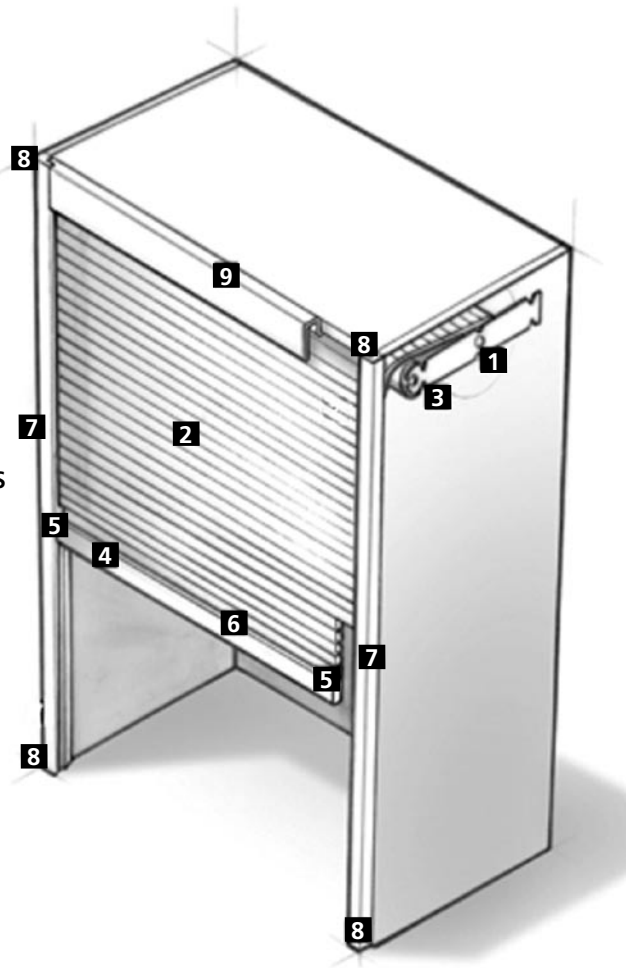
- Modern look blends with aluminum sinks and appliances
- Look and feel of real aluminum or stainless steel
- Can be installed at your counter level
- Smooth, lightweight and quiet operation

FEATURES

- Vertical opening (from bottom to top)
- Two width size available, 30" and 36"
- System components available in aluminum or stainless steel finish
- Genuine metal extrusion on polymer base for a true metallic finish in either aluminum or stainless steel color
- Ready-to-fit, can be installed easily in just a few steps

TAMBOUR DOOR KIT INCLUDES

- 1- Heavy-duty Roller System
- 2- Tambour Slats
- 3- Roller Extensions (2)
- 4- Handle Profile (with Seal)
- 5- Handle Gliders
- 6- Handle Stopper
- 7- Tracks
- 8- End Caps for Track
- 9- Cover Profile



RECOMMENDED LIMITS

Dimensions required for installation are an internal cabinet depth of at least 290 mm (11-7/16") and a maximum height of 1000 mm (39-3/8").

System	Cabinet Width		Product number	
	Without extension	With extension*	Aluminum	Stainless Steel
30"	550 to 584 mm 21-5/8" to 23"	570 to 754 mm 22-7/16" to 29-11/16"	KITAMB30ALU	KITAMB30SS
36"	750 to 784 mm 29-1/2" to 30-7/8"	770 to 954 mm 30-5/16" to 37-9/16"	KITAMB36ALU	KITAMB36SS

* Included in the kit

If these formats do not suit your needs, all the required components can be bought separately in order to fit the cabinet size of your choice.

Richelieu
Hardware

CANADA
1 (800) 361-6000
www.richelieu.com

U.S.A.
1 (800) 544-3827 (Atlanta, GA)
1 (800) 619-5446 (Detroit, MI)
1 (800) 619-5446 (Columbus, OH)
1 (800) 227-6846 (Seattle, WA)