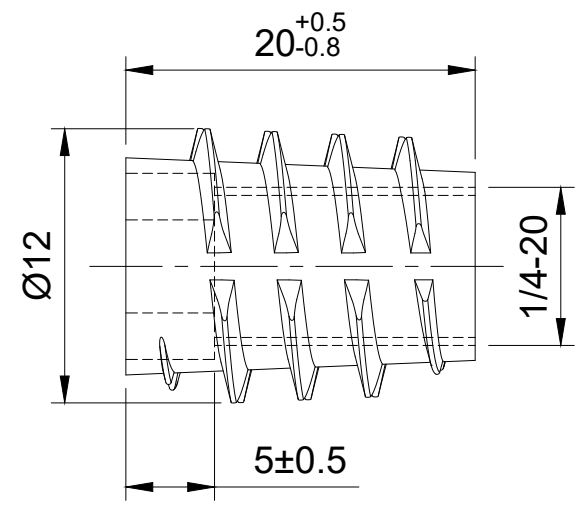
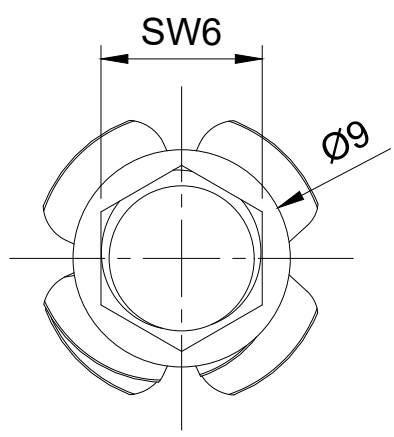
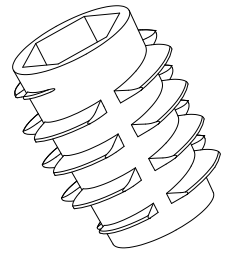


Notes:  
Material: Zamac



<b>JCIEZ1420PR</b>				<b>Richelieu Hardware</b>			
DRAWING NO.:							
TITEL: 1/4X20MM TYPE-E INSERT				APPROVED			
DIMENSION CLASSIFICATION		UNIT	mm	PAPER		DATE	
● CRITICAL		SCALE	1:1	A4		CHECKED	
○ MAJOR				DESIGNER		DATE	
MARK	Ver.	DESCRIPTIONS	BY	DATE			

DIM.	0~3mm	3~10mm	10~30mm	30~100mm	100~300mm	300mm~
Tolerance	±0.1mm	±0.25mm	±0.5mm	±1mm	±3mm	±5mm

Grid lines are labeled 1-8 horizontally and A-F vertically.