



Technical information

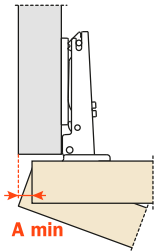
Silentia hinges with cup integrated decelerating system and cover.

**Hinges for min. 16 mm thick doors.
13.5 mm deep cup.**

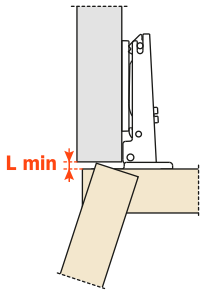
110° opening.
Possible drilling distance on the door (K): from 3 to 6 mm.

Adaptable only with longitudinal Domi snap-on mounting plates (BAP).

Space needed to open the door



	T=	16	17	18	19	20	21	22	23	24	25	26
K=3	A=	0.7	0.9	1.1	1.3	1.6	1.9	2.2	2.6	3.2	4.4	5.7
K=4	A=	0.6	0.8	1.1	1.3	1.6	1.8	2.2	2.5	2.9	3.4	4.7
K=5	A=	0.6	0.8	1.0	1.3	1.5	1.8	2.1	2.4	2.8	3.2	3.7
K=6	A=	0.6	0.8	1.0	1.2	1.5	1.8	2.1	2.4	2.7	3.1	3.6

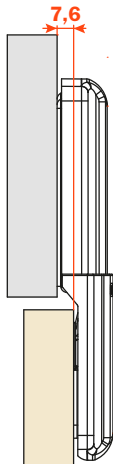


	T=	16	17	18	19	20	21	22	23	24	25	26
K=3	L=	0.0	0.0	0.0	0.0	0.0	0.0	0.0	0.2	0.4	0.6	0.9
K=4	L=	0.0	0.0	0.0	0.3	0.5	0.7	0.9	1.1	1.4	1.6	1.8
K=5	L=	0.6	0.8	1.0	1.2	1.5	1.7	1.9	2.1	2.4	2.6	2.8
K=6	L=	1.5	1.8	2.0	2.2	2.4	2.7	2.9	3.1	3.3	3.6	3.8

The above values are calculated on the assumption that the doors have square edges. They are reduced if the doors have radiussed edges.

Projection of the door

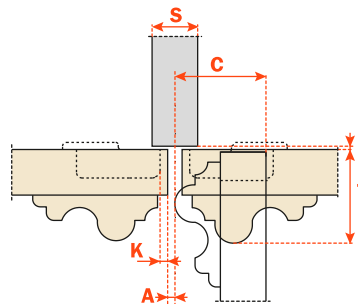
Projection of the door from the cabinet side at the max. opening. The figures are based on a straight arm hinge, H=0 mm thickness of mounting plate and K value = 3 mm.



“C” value

With this formula you can obtain the max. thickness of the moulded door that can be opened without touching adjacent carcass sides, doors or walls, whilst bearing in mind the above L-K-T values.

$C = 22.5 + K + A$

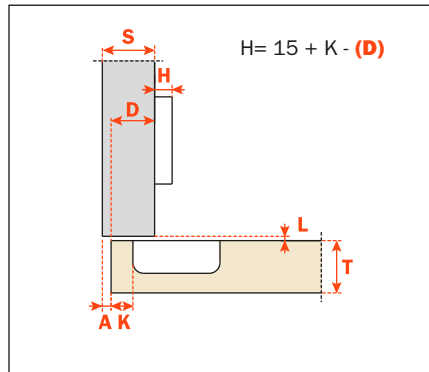


Packing

Boxes 300 pcs.
Pallets 7.200 pcs.

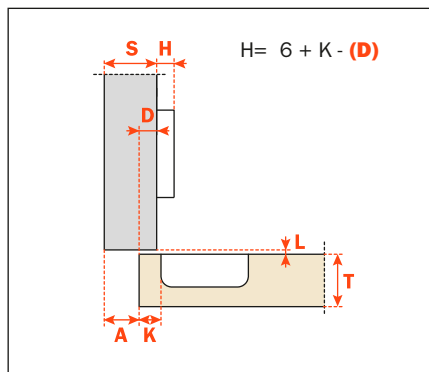
Use these formulas to determine the type of hinge arm, the drilling distance "K" and the height of the mounting plate "H" which is necessary to solve each application problem.

Arm 0

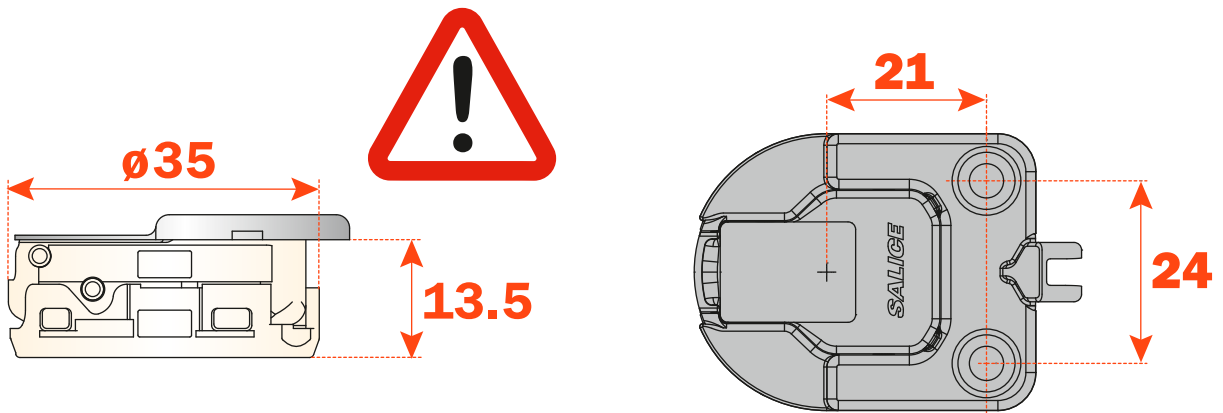


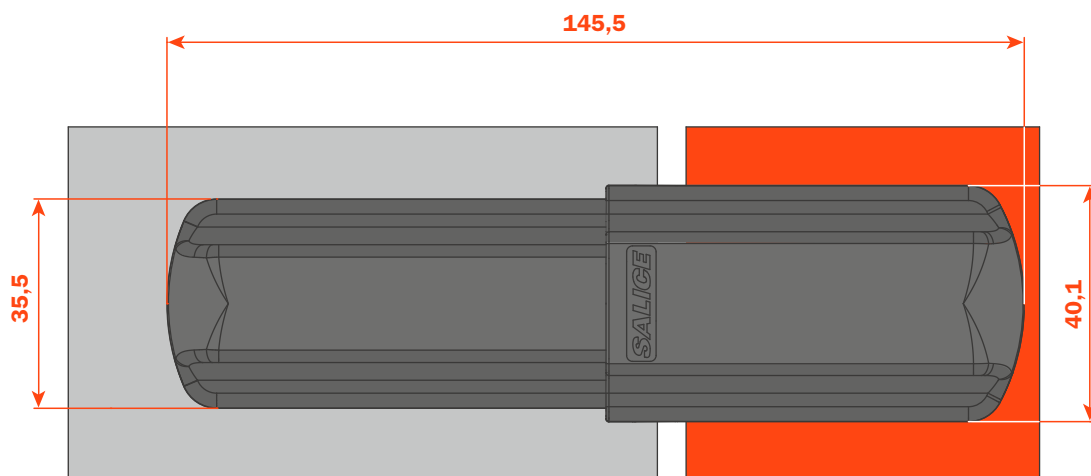
H110C716AD9

Arm 9

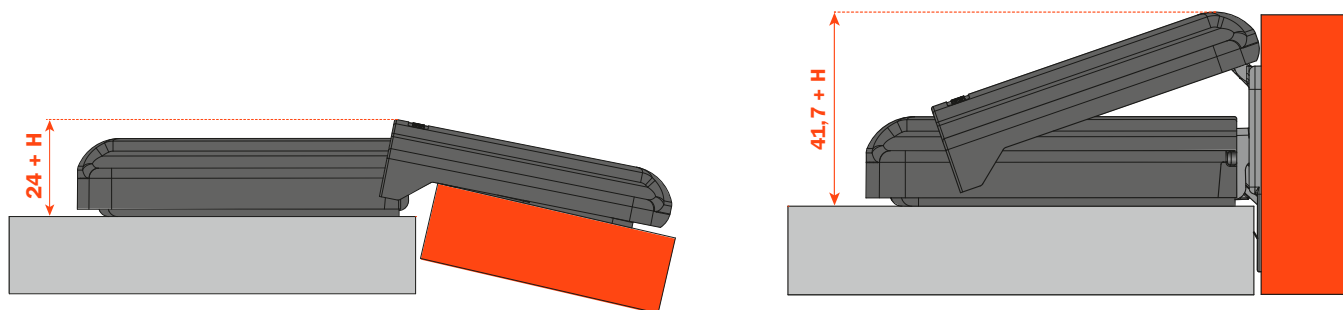


H110C716GD9

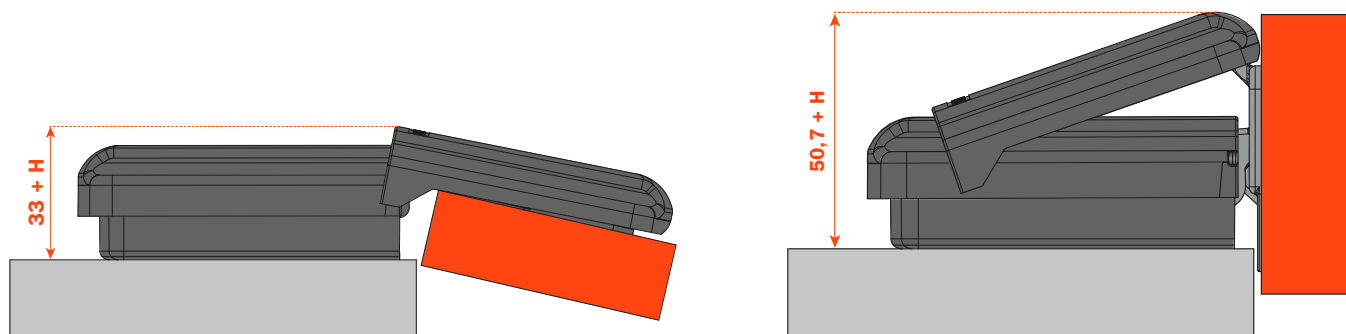




Lapis hinge - 0 arm - 0 mounting plate



Lapis hinge - 9 arm - 0 mounting plate



Assembly instructions

After fixing the mounting plate, attach the skirt.

Attached skirt.



Clip the hinge onto the mounting plate.

ATTACHMENT OF THE HINGE ARM COVER



Clip the cover onto the hinge arm.

Press to clip the cover.



ATTACHMENT OF THE DOOR SIDE COVER

Lift the carrier.



Clip the cover onto the carrier.



Half-close the door to ensure that the covers are engaged correctly.



Disassembly instructions

Half-close the door and lift the cover.



Open the door and push the cover firmly in the direction indicated.



Remove the cabinet side cover.



Unclip the hinge from the mounting plate.



Remove the skirt.

