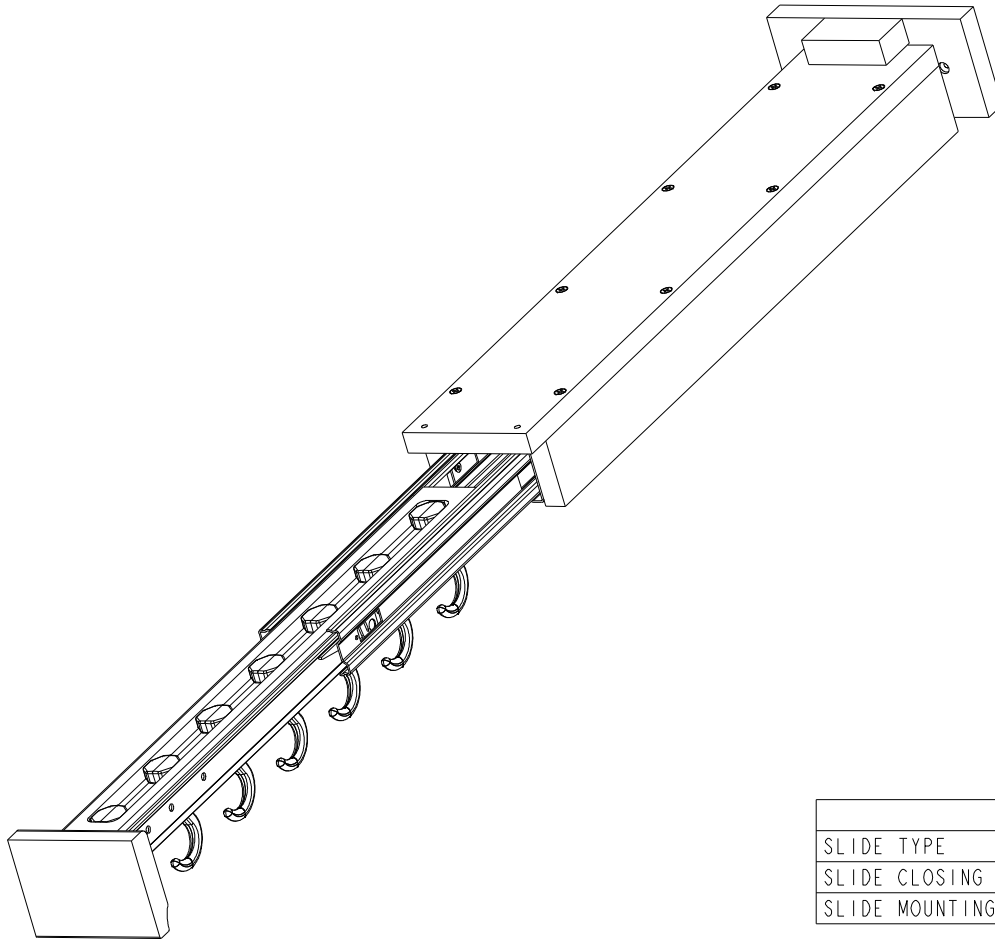


CUSTOMER DRAWING

This drawing is the property of Rev-A-Shelf (RAS) and is disclosed in confidence to the extent its subject matter is original to RAS. Any vendor receiving this drawing from RAS shall hold and use this drawing for the sole benefit of RAS and shall not disclose it to, or use or reproduce it for any third party, or perform any act adverse to the interest of RAS with respect to this drawing without the express written permission of RAS. Vendors shall not revise any physical, dimensional or performance characteristic unless authorized by Rev-A-Shelf Engineering.

REV.	DATE	BY	DESCRIPTION OF CHANGE

INCH [MM]	AMERICAN PROJECTION	BY	DATE	REV-A-SHELF, INC.	
		DRAWN	JMW 9/25/17		
TOLERANCES MAT. DEC. (WOOD) .XX ±.03 [.8mm] (OTHER) .XX ±.02 [.5mm] (ALL) .XXX ±.005 [.13 mm] FRACTIONS ±1/32 [.8 mm]				SIZE B	GLIDEWARE BALL BEARING 22"
ANGLES ±1/2°		MATERIAL	DRAWING NO.	SCALE	
FINISH			GLD-W22-SC-7_CUST	0.250	
			PART NO.	SHEET OF	
			GLD-W22-SC-7_CUST	1 2	



PART DIMENSIONS		
	MIN	MAX
WIDTH	4"	6.25"
DEPTH	22.75"	44.5"
HEIGHT	4.12"	4.92"
WEIGHT	9 LBS.	
DIAMETER	N/A	
RADIUS	N/A	
CONTAINER CAPACITY		
CONTAINER UOM		

MIN CABINET OPENING		
	FACE FRAME	FRAMELESS
WIDTH	6.75"	6.75"
DEPTH	22.75"	22"
HEIGHT	N/A	N/A

SLIDE SPECIFICATIONS				
SLIDE TYPE	BALL BEARING	SLIDE EXTENSION	2" OVER TRAVEL	MAX WEIGHT RATING
SLIDE CLOSING	NORMAL	SLIDE LENGTH	19.68"[500MM]	
SLIDE MOUNTING	SIDE	SLIDE FINISH	ZINC	100#

CUSTOMER DRAWING

This drawing is the property of Rev-A-Shelf (RAS) and is disclosed in confidence to the extent its subject matter is original to RAS. Any vendor receiving this drawing from RAS shall hold and use this drawing for the sole benefit of RAS and shall not disclose it to, or use or reproduce it for any third party, or perform any act adverse to the interest of RAS with respect to this drawing without the express written permission of RAS. Vendors shall not revise any physical, dimensional or performance characteristic unless authorized by Rev-A-Shelf Engineering.

REV.	DATE	BY	DESCRIPTION OF CHANGE

INCH [MM]	AMERICAN PROJECTION	BY	DATE	REV-A-SHELF, INC.
		JMW	9/25/17	
DRAWN	FINISH	MATERIAL	DRAWING NO.	SCALE
			GLD-W22-SC-7_CUST	0.300
TOLERANCES			PART NO.	SHEET OF
MAT. DEC. (WOOD) .XX ±.03 [.8mm] (OTHER) .XX ±.02 [5mm] (ALL) .XXX ±.005 [1.3 mm] FRACTIONS ±1/32 [.8 mm]			GLD-W22-SC-7_CUST	2 OF 2
ANGLES ±1/2°				