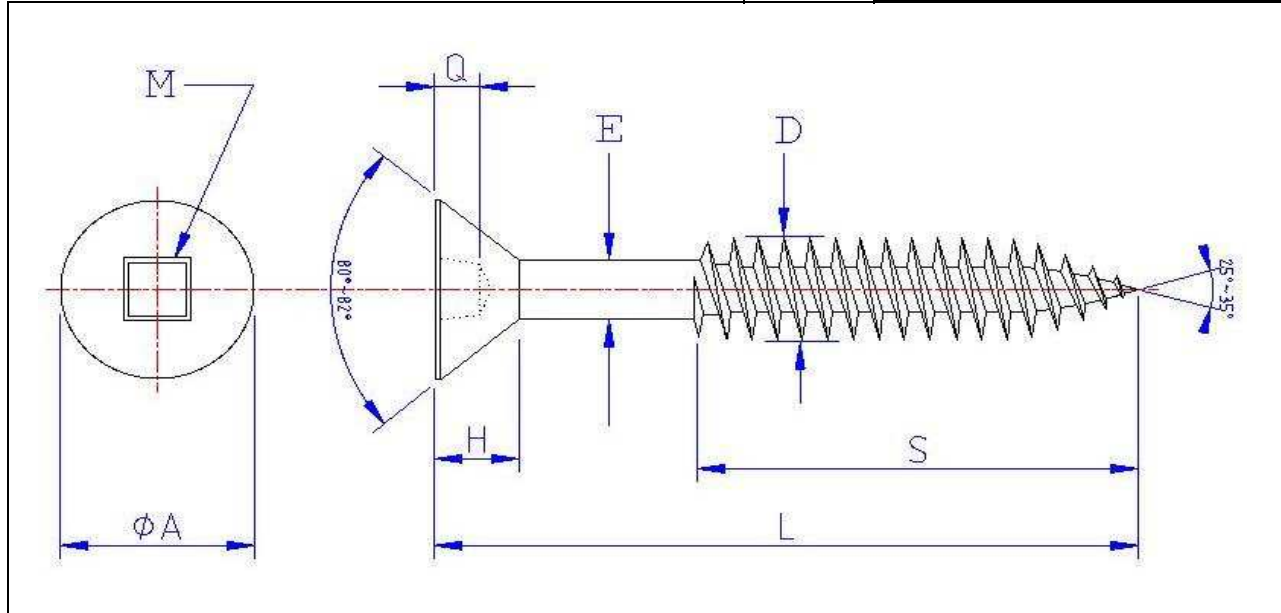




Brand	Root
	<b>FKWW...</b>



unit: INCH

<b>L</b> LENGTH TOLERANCE	≤ 5/8"	+ 0	- 0.03
	> 5/8" to ≤ 1-1/2"	+ 0	- 0.05
	> 1-1/2" to ≤ 2-3/4"	+ 0	- 0.06
	> 2-3/4"	+ 0	- 0.09

<b>S</b> THREAD LENGTH	< 1"	Full Thread
	≥ 1"	2/3 Thread

SCREW SIZE	M PUNCH		Q DRIVE DEPTH	A HEAD DIAM.	H HEAD HEIGHT	E BODY DIAM.	D THREAD DIAM.	THREAD PER INCH	TORK INCH/ POUND
# 5	# 1	Min	0.050	0.220	Ref.	0.096	0.118	20	18
		Max	0.065	0.252	0.075	0.107	0.129		
# 6	# 1	Min	0.050	0.244	Ref.	0.107	0.131	18	24
		Max	0.065	0.279	0.083	0.118	0.142		
# 8	# 2	Min	0.060	0.292	Ref.	0.125	0.157	15	39
		Max	0.075	0.332	0.100	0.136	0.168		

**Flat Head Countersunk, Square recess, Wood Screw, TWINFAST Thread Double Lead, Zinc plated  
HEAD PAINTED WHITE**

Root = Flat socKet Wood White

**Bulk Label Description:**

English: FLAT HEAD, SQUARE, WOOD SCREW, ZINC, HEAD PAINTED WHITE

French: VIS À BOIS, TÊTE PLATE, CARRÉ, ZINC, TÊTE PEINTURÉE BLANCHE

Spanish: TORNILLO PARA MADERA, CABEZA PLANA, ZINC, CABEZA PINTADA BLANCA

Date : 8 février 2019

Done by : P.B.