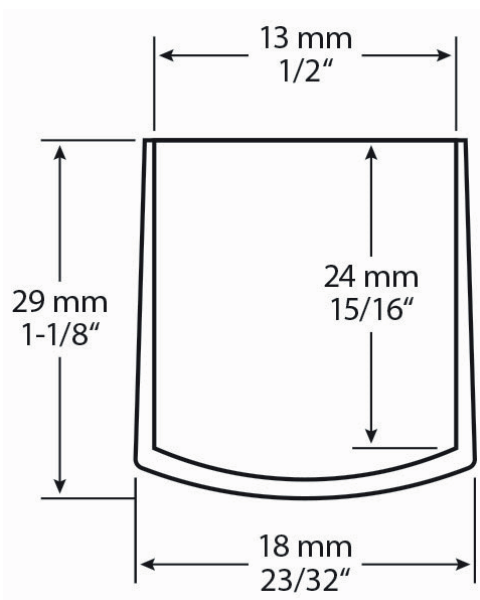


Sizes in millimeters
Dimensions en millimètres



REFERENCE: F32040, F43862, F43863

