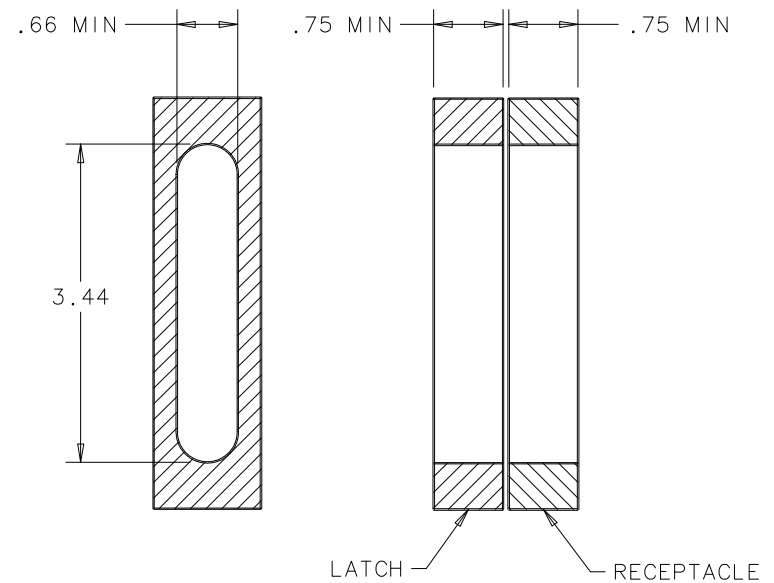


RECEPTABLE (CONR20257)



PANEL PREPARATION