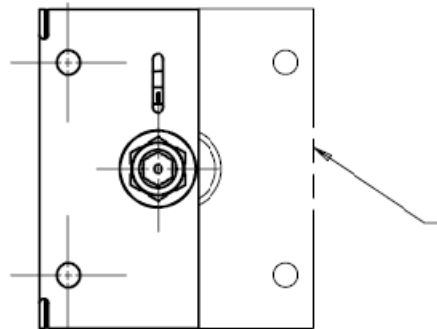
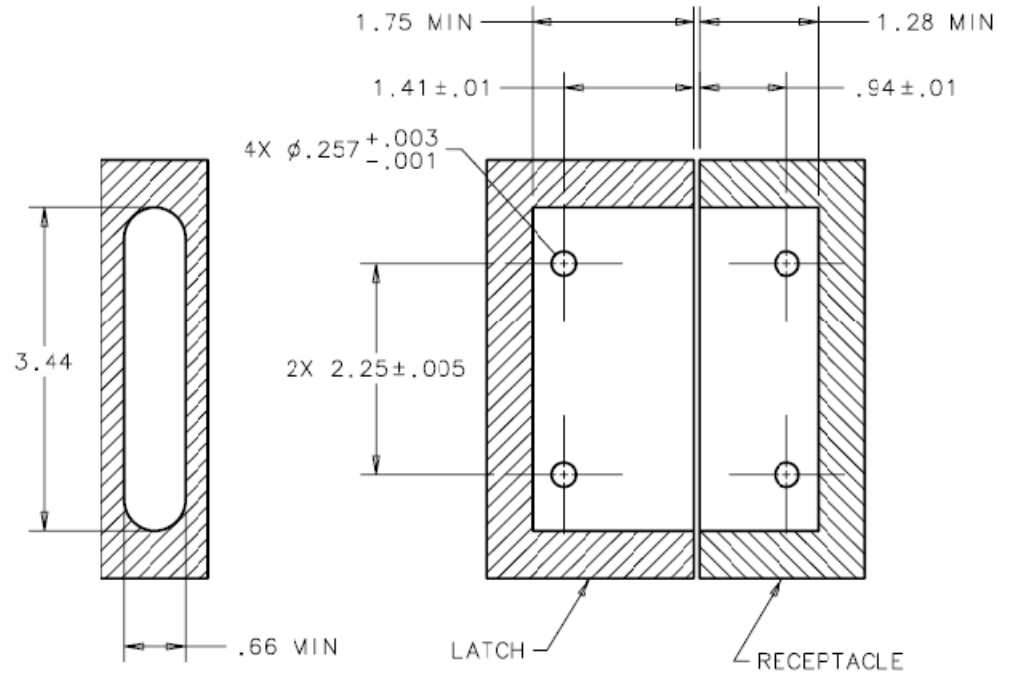


NOTES:

- A. CAM, LATCH ASSEMBLY, AND RECEPTACLE MATERIAL AND FINISH:
CARBON STEEL, ZINC PLATED PLUS BRIGHT CHROMATE FINISH.



RECEPTACLE CONR20002

PANEL PREPARATION